



MEYLE[®]
Products



Nissan



Spare parts for passenger cars

1 **Body/Cabin**

Body • Interior fittings

2 **Brakes**

Disc brake • Drum brake • Hydraulics

3 **Drive train/Transmission**

Drive shafts • Joints

4 **Electrics**

Engine • Lighting

5 **Engine/Cooling/Clutch**

Cooling system • Fuel system • Lubrication system • Mounts

6 **Steering**

Mounting parts • Tie rod assemblies

7 **Suspension**

Control arms • Stabilizer • Subframe • Suspension / damping
Wheel hubs / Wheel bearings

Index **MEYLE no.** → **Ref. no.**

Index **Ref. no.** → **MEYLE no.**

Body/Cabin

1

Body, Interior fittings

Cabin air filter
 Trunk-/tailgate shock

Wiper Blade

Brakes

22

Disc brake, Drum brake, Hydraulics

Brake disc
 Brake drum
 Brake hose

Brake pad set
 Brake shoe kit
 Brake shoe set, parking brake

Guide sleeve kit, brake caliper
 Wheel cylinder

Drive train/Transmission

75

Drive shafts, Joints

Boot kit, C.V. joint
 C.V. joint kit

Electrics

89

Engine, Lighting

Crank position sensor
 Glow plug
 Ignition coil

Lambda probe
 Relay, hazard lights

Sender unit, coolant temperature
 Sensor, camshaft position

Engine/Cooling/Clutch

100

Cooling system, Fuel system, Lubrication system, Mounts

Air filter
 Engine mount

Fuel filter
 Oil filter

Thermostat
 Water pump

Steering

141

Mounting parts, Tie rod assemblies

Axial rod
 Steering boot

Tie rod assembly
 Tie rod end

Suspension

160

Control arms, Stabilizer, Subframe, Suspension / damping, Wheel hubs / Wheel bearings

Axle support bushing
 Ball joint
 Control arm
 Control arm bushing
 Dust cover kit, shock absorber
 Mount, control arm

Mount, stabilizer
 Repair kit, control arm
 Repair kit, stabilizer bushing
 Repair kit, strut mount
 Repair kit, subframe
 Shock absorber

Stabilizer link
 Strut mount
 Strut mount bearing
 Wheel bearing
 Wheel bearing kit
 Wheel hub

Trunk-/tailgate shock
36-40 910 0016
 84430-2F000

Notes

 Power Output F [N] 465
 Length [mm] 315
 with spoiler

References

84430-2F000


Application info

Primera (P11, WP11) (06/96-07/02)

Trunk-/tailgate shock
36-40 910 0015
 84430-2F010

Notes

 Power Output F [N] 420
 Length [mm] 315
 without spoiler

References

84430-2F010 84430-9F500


Application info

Primera (P11, WP11) (06/96-07/02)

Trunk-/tailgate shock
36-40 910 0011
 84430-90J00

Notes

 Power Output F [N] 450
 Length [mm] 275
 without spoiler

References

84430-50J25 84430-90J00


Application info

Primera (P10, W10) (06/90-03/98)

36-40 910 0021
84430-AV600

Trunk-/tailgate shock



Notes

Power Output F [N]	510
Length [mm]	268

References

84430-AV600

Application info

Primera (P12, WP12) (01/02--)

16-40 910 0001
90450-00QAA

Trunk-/tailgate shock



Notes

Power Output F [N]	630
Length [mm]	690

References

90450-00QAA

Application info

Kubistar (08/03--)

36-40 910 0032
90450-9U00A

Trunk-/tailgate shock



Notes

Power Output F [N]	435
Length [mm]	590

References

90450-9U00A

Application info

Note (03/06--)

Trunk-/tailgate shock
36-40 910 0009
 90450-AX610

Notes

 Power Output F [N] 360
 Length [mm] 500

References

 90450-AX000 90450-AX61B
 90450-AX610 90451-AX000

Application info

Micra (K12) (01/03--)

Trunk-/tailgate shock
36-40 910 0006
 90450-BM425

Notes

 Power Output F [N] 385
 Length [mm] 539

References

90450-BM400 90450-BM425


Application info

Almera II (01/00--)

Trunk-/tailgate shock
36-40 910 0007
 90450-BU000

Notes

 Power Output F [N] 530
 Length [mm] 523

References

 90450-BU000 90451-BU000
 90450-BU00B 90451-BU00B

Application info

Almera Tino (08/00--)

36-40 910 0031
90450-EQ325

Trunk-/tailgate shock



Notes

Power Output F [N]	410
Length [mm]	536

References

90450-EQ300	90451-EQ30A
90450-EQ301	90451-EQ31A
90450-EQ30A	90451-EQ325
90450-EQ30B	K0450-EQ30A
90450-EQ31A	K0450-EQ30B
90450-EQ325	K0451-EQ30A
90450-H3310	K0451-EQ30B

Application info

X-Trail (T30) (06/01--)

36-40 910 0002
90451-4F111

Trunk-/tailgate shock



Notes

Power Output F [N]	Left and right 290
Length [mm]	550

References

90450-4F100	90451-4F110
90450-4F101	90451-4F111
90450-4F110	90452-4F215
90450-4F111	90452-4F228
90451-4F100	90453-4F228
90451-4F101	90453-4F286

Application info

Micra (K11) (01/92-02/03)

16-40 910 0029
90451-OOQAA

Trunk-/tailgate shock



Notes

Power Output F [N]	730
Length [mm]	905

References

90451-OOQAA

Application info

Primastar (03/01--)

Trunk-/tailgate shock
36-40 910 0017
 90452-2F725

Notes

 Power Output F [N] 665
 Length [mm] 520
 without spoiler

References

 90452-2F705 90452-6F100
 90452-2F725

Application info

Primera (P11, WP11) (06/96-07/02)

Trunk-/tailgate shock
36-40 910 0019
 90452-2F726

Notes

 Power Output F [N] 730
 Length [mm] 520
 with spoiler

References

 90452-2F715 90452-6F126
 90452-2F726

Application info

Primera (P11, WP11) (06/96-07/02)

Trunk-/tailgate shock
36-40 910 0012
 90452-3F200

Notes

 Power Output F [N] 450
 Length [mm] 590
 with spoiler

References

90452-3F200


Application info

Primera (P10, W10) (06/90-03/98)

36-40 910 0023
90452-8F825

Trunk-/tailgate shock



Notes

Power Output F [N]	660
Length [mm]	525

References

90452-8F825

Application info

Primera (P11, WP11) (06/96-07/02)

36-40 910 0018
90452-9F725

Trunk-/tailgate shock



Notes

Power Output F [N]	670
Length [mm]	520

References

90452-9F725

Application info

Primera (P11, WP11) (06/96-07/02)

36-40 910 0020
90452-AU200

Trunk-/tailgate shock



Notes

Power Output F [N]	575
Length [mm]	525

References

90452-AU200

Application info

Primera (P12, WP12) (01/02--)

Trunk-/tailgate shock
36-40 910 0024
 90452-AV700

Notes

 Power Output F [N] 590
 Length [mm] 472

References

90452-AV700


Application info

Primera (P12, WP12) (01/02--)

Wiper Blade
029 300 1211
Notes

 Length [mm] Rear
 300
 Length [in] 12

Application info

Juke (06/10--)

Micra (K12) (01/03--)

Wiper Blade
029 330 1300
Notes

 Length [mm] Front
 330
 Length [in] 13
 Observe service information

Application info

Pixo (03/09--)

Tida (08/06--)

029 350 1400

Wiper Blade



Notes

	Front
Length [mm]	350
Length [in]	14
Observe service information	

Application info

Juke (06/10--)
Micra (K13) (05/10--)

Note (03/06--)

029 350 1410

Wiper Blade



Notes

	Rear
Length [mm]	350
Length [in]	14

Application info

Almera II (01/00--)

029 380 1500

Wiper Blade



Notes

	Front
Length [mm]	380
Length [in]	15
Observe service information	

Application info

Qashqai (02/07--)

X-Trail (T30) (06/01--)

Wiper Blade
029 400 1600
Notes

	Front
Length [mm]	400
Length [in]	16
Observe service information	


Application info

Almera II (01/00--)
 Bluebird (910) (01/80-06/86)
 Bluebird (B610) (08/71-01/80)
 NV200 (02/10--)
 Patrol (160) (11/79-02/89)

Pick Up (D21) (09/85-02/98)
 Sunny (B11) (03/82-08/90)
 Vanette (KC120) (06/81-12/87)
 X-Trail (T31) (06/07--)

Wiper Blade
029 400 1610
Notes

	Rear
Length [mm]	400
Length [in]	16


Application info

Kubistar (08/03--)
 Micra (K11) (01/92-02/03)
 Micra (K12) (01/03--)

Primastar (03/01--)
 Primera (P12, WP12) (01/02--)

Wiper Blade
029 425 1700
Notes

	Front
Length [mm]	425
Length [in]	17
Observe service information	



029 425 1700

Wiper Blade

Application info

Cherry (N10) (08/78-12/83)

Laurel (C31) (01/81-12/85)

029 450 1800

Wiper Blade



Notes

Length [mm]
Length [in]
Observe service information

Front
450
18

Application info

350 Z (09/02--)
Almera Tino (08/00--)
Bluebird (910) (01/80-06/86)
Bluebird (U11, WU11) (11/83-09/90)
Cherry (N12) (04/82-10/87)
Micra (K10) (12/82-11/92)
Micra (K11) (01/92-02/03)
Micra (K12) (01/03--)

Patrol GR I (08/87-02/98)
Silvia (S110) (01/79-07/83)
Sunny (B11) (03/82-08/90)
Sunny (B12, N13) (01/86-10/91)
Sunny (B13, N14, Y10) (05/90-03/00)
Urvan (E23) (07/80-11/98)
Vanette (C22) (10/86-12/95)

029 475 1900

Wiper Blade



Notes

Length [mm]
Length [in]
Observe service information

Front
475
19

Application info

100 NX (03/90-01/96)
300 SX (01/84-10/90)
Almera I/Pulsar I (07/95-07/00)
Bluebird (U11, WU11) (11/83-09/90)
Bluebird D (T72, T12) (12/85-11/92)
Cherry (N12) (04/82-10/87)
Laurel (C32) (11/84-06/90)
Maxima (J30) (10/88-02/95)
Navara (D40) (10/04--)

Pathfinder (R51) (01/05--)
Patrol GR II (06/97--)
Pick Up (720) (01/80-03/86)
Pick Up (D22) (01/97--)
Primera (P10, W10) (06/90-03/98)
Primera (P12, WP12) (01/02--)
Silvia (S12) (01/84-12/88)
Sunny (B13, N14, Y10) (05/90-03/00)
Terrano I (07/86-02/96)

Wiper Blade
029 500 2000
Notes

	Front
Length [mm]	500
Length [in]	20
Observe service information	


Application info

100 NX (03/90-01/96)
 200 SX (S13) (07/88-11/94)
 200 SX (S14) (10/93-12/99)
 300 ZX (12/89-12/97)
 350 Z (09/02--)
 Kubistar (08/03--)

Micra (K11) (01/92-02/03)
 Pathfinder (R50) (09/95-12/04)
 Patrol GR II (06/97--)
 Primera (P11, WP11) (06/96-07/02)
 Sunny (B12, N13) (01/86-10/91)
 Terrano II (10/92--)

Wiper Blade
029 530 2100
Notes

	Front
Length [mm]	530
Length [in]	21
Observe service information	


Application info

200 SX (S14) (10/93-12/99)
 300 ZX (12/89-12/97)
 Almera I/Pulsar I (07/95-07/00)
 Maxima (A32) (03/94--)
 Maxima (J30) (10/88-02/95)
 Micra (K12) (01/03--)
 Micra (K13) (05/10--)

Pixo (03/09--)
 Primastar (03/01--)
 Primera (P10, W10) (06/90-03/98)
 Primera (P11, WP11) (06/96-07/02)
 Sunny (B13, N14, Y10) (05/90-03/00)
 Terrano II (10/92--)

029 550 2200

Wiper Blade



Notes

Length [mm]	Front 550
Length [in]	22
Observe service information	

Application info

Almera II (01/00--)
Maxima (A32) (03/94--)
NV200 (02/10--)

Pathfinder (R50) (09/95-12/04)
Prairie Pro (M11) (10/88-07/94)

029 600 2400

Wiper Blade



Notes

Length [mm]	Front 600
Length [in]	24
Observe service information	

Application info

Interstar (07/02--)
Juke (06/10--)
Navara (D40) (10/04--)
Note (03/06--)
Pathfinder (R51) (01/05--)
Primastar (03/01--)
Qashqai (02/07--)

Serena (C23M) (07/92-09/01)
Serena (C24) (06/99--)
Tida (08/06--)
Vanette (C23) (09/94--)
X-Trail (T30) (06/01--)
X-Trail (T31) (06/07--)

029 650 2600

Wiper Blade



Notes

Length [mm]	Front 650
Length [in]	26
Observe service information	

Wiper Blade
029 650 2600

Application info

Almera Tino (08/00--)

Primera (P12, WP12) (01/02--)

Cabin air filter
16-12 320 0022
271T2-00A00
Notes

 Length [mm]
 Width [mm]
 Height [mm]

 Activated Carbon Filter
 Filter Insert
 238
 153
 32

References

271T2-00A00


Application info

Juke (06/10--)

Cabin air filter
36-12 320 0000
27274-3Y700
Notes

 Length [mm]
 Width [mm]
 Height [mm]

 Activated Carbon Filter
 Filter Insert
 243
 85
 28

References

 27274-3Y700
 27277-3Y525

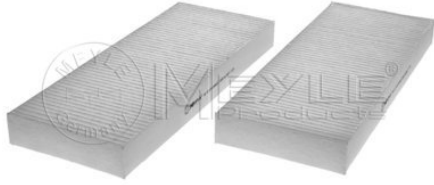
 37200-3Y000
 B7200-3Y000

Application info

Maxima (A33) (04/99-11/03)

36-12 319 0004/S
27274-EA000

Cabin air filter



Notes

Length [mm]
Width [mm]
Height [mm]

Particulate Filter
Filter Insert
260
100
25
Kit

References

27274-EA000
27274-EA000-D

27274-EA000-S

Application info

Navara (D40) (10/04--)
NP300 (04/08--)

Pathfinder (R51) (01/05--)
Pick Up (D22) (01/97--)

36-12 319 0009/S
27275-1N600

Cabin air filter



Notes

Length [mm]
Width [mm]
Height [mm]

Particulate Filter
Filter Insert
229
107
23.5
Kit

References

27275-1N600
27275-1N601

27275-1N625

Application info

Almera I/Pulsar I (07/95-07/00)

36-12 319 0003/S
27275-1N626

Cabin air filter



Notes

Length [mm]
Width [mm]
Height [mm]

Particulate Filter
Filter Insert
450
105
10
Kit

References

27275-1N601
27275-1N626

27275-1N6P6
27276-1N605

Application info

Almera I/Pulsar I (07/95-07/00)

Cabin air filter
36-12 319 0010
 27277-1HE0E

Notes

	Filter Insert Particulate Filter
Length [mm]	224
Width [mm]	210
Height [mm]	20

References

27277-1HE0E


Application info

Micra (K13) (05/10-)

Cabin air filter
36-12 320 0010
 27277-1HE0E

Notes

	Filter Insert Activated Carbon Filter
Length [mm]	224
Width [mm]	210
Height [mm]	20

References

27277-1HE0E

Application info

Micra (K13) (05/10-)

Cabin air filter
16-12 319 0022
 27277-1KA4A

Notes

	Particulate Filter Filter Insert
Length [mm]	238
Width [mm]	153
Height [mm]	32

References

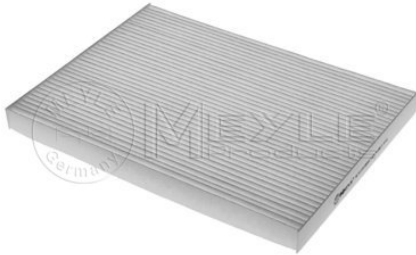
 27277-00A26 27277-1KA4A
 27277-1KA0A

Application info

Juke (06/10-)

36-12 319 0005
27277-EN025

Cabin air filter



Notes

Length [mm]
Width [mm]
Height [mm]

Particulate Filter
Filter Insert
265
190
20

References

27277-EN000

27277-EN025

Application info

Qashqai (02/07--)

X-Trail (T31) (06/07--)

36-12 320 0005
27277-EN025

Cabin air filter



Notes

Length [mm]
Width [mm]
Height [mm]

Activated Carbon Filter
Filter Insert
265
192
20

References

27277-EN000
27277-EN025

27277-JD10A

Application info

Qashqai (02/07--)

X-Trail (T31) (06/07--)

612 319 0015
27298-00QAA

Cabin air filter



Notes

Length [mm]
Width [mm]
Height [mm]

Particulate Filter
Filter Insert
340
181
30

References

27298-00QAA

Application info

Interstar (07/02--)

Primastar (03/01--)

Cabin air filter
16-12 319 0019/S
 27891-00Q0D

Notes

	Particulate Filter Filter Insert
Length [mm]	239
Width [mm]	108
Height [mm]	20
	Kit

References

27891-00Q0D


Application info

NV400 (11/11--)

Cabin air filter
16-12 320 0019/S
 27891-00Q0D

Notes

	Activated Carbon Filter Filter Insert
Length [mm]	239
Width [mm]	108
Height [mm]	20
	Kit

References

27891-00Q0D


Application info

NV400 (11/11--)

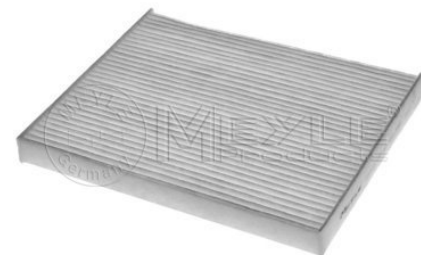
Cabin air filter
33-12 319 0005
 27891-4A00C

Notes

	Particulate Filter Filter Insert
Length [mm]	193
Width [mm]	162
Height [mm]	19

References

27891-4A00C


Application info

Pixo (03/09--)

36-12 319 0002
27891-AX010

Cabin air filter



Notes

	Particulate Filter Filter Insert
Length [mm]	224.5
Width 1 [mm]	182
Length 1 [mm]	180
Width [mm]	202
Height [mm]	43
Height 1 [mm]	29.3

References

27891-AX010	AY685-NS003
-------------	-------------

Application info

Micra (K12) (01/03--)

Note (03/06--)

16-12 319 0003
27891-AX01A

Cabin air filter



Notes

	Particulate Filter Filter Insert
Length [mm]	184.5
Width [mm]	180
Height [mm]	27.8

References

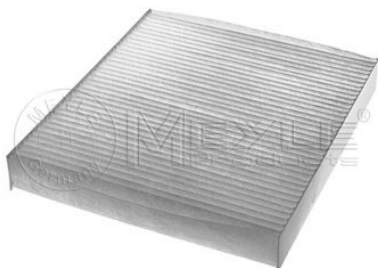
27891-AX01A	
-------------	--

Application info

Micra (K12) (01/03--)

36-12 319 0000
27891-BM401

Cabin air filter



Notes

	Particulate Filter Filter Insert
Length [mm]	222
Width [mm]	200
Height [mm]	30

References

27891-BM400	27891-BM410
27891-BM401	B7200-5M000
27891-BM402	

Cabin air filter
36-12 319 0000
 27891-BM401

Application info

 Almera II (01/00--)
 Almera Tino (08/00--)

Primera (P12, WP12) (01/02--)

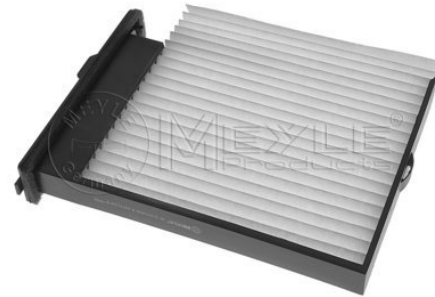
Cabin air filter
36-12 319 0008
 27891-EL00A

Notes

	Particulate Filter Filter Insert
Length [mm]	240
Width [mm]	170
Height [mm]	20

References

27274-ED000	27891-EL00A
27891-EC00A	


Application info

NV200 (02/10--)

Tida (08/06--)

Cabin air filter
36-12 319 0001
 27893-6F600

Notes

	Particulate Filter Filter Insert
Length [mm]	300
Width [mm]	230
Height [mm]	20

References

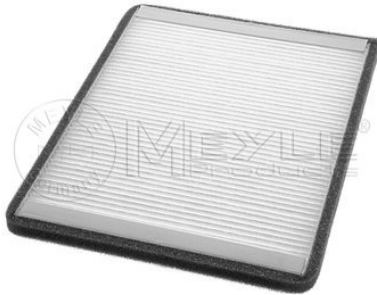
27893-6F600	27893-6F600KE
-------------	---------------


Application info

Micra (K11) (01/92-02/03)

712 319 0008
27893-9F900

Cabin air filter



Notes

Length [mm]
Width [mm]
Height [mm]

Particulate Filter
Filter Insert
249.4
193
20

References

27893-9F500
27893-9F500KE

27893-9F900

Application info

Primera (P11, WP11) (06/96-07/02)

Terrano II (10/92--)

36-12 319 0006
B727A-79925

Cabin air filter



Notes

Length [mm]
Width [mm]
Height [mm]

Particulate Filter
Filter Insert
215
200
30

References

27277-4M400
27277-4M425
27277-5U100
27277-9W125
27277-WD000

2K003-30361
999M1-VP001
999M1-VP051
B7200-5M000
B727A-79925

Application info

Murano (Z50) (08/03--)
Murano (Z51) (11/07--)

X-Trail (T30) (06/01--)

36-12 319 0007/S
B727C-79925

Cabin air filter



Notes

Length [mm]
Width [mm]
Height [mm]

Particulate Filter
Filter Insert
267
107
24

References

27274-7J125
999M1-VP003

B727C-79925

Cabin air filter
36-12 319 0007/S
 B727C-79925

Application info
 Patrol GR II (06/97--)
 +

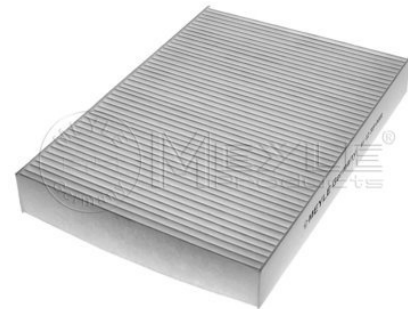
Cabin air filter
16-12 319 0001
 B7298-00QAA

Notes

	Particulate Filter Filter Insert
Length [mm]	230
Width [mm]	158
Height [mm]	30

References

27891-00QAA	B7298-00QAA
-------------	-------------


Application info

 Kubistar (08/03--)
 +

Cabin air filter
16-12 320 0001
 B7298-00QAA

Notes

	Activated Carbon Filter Filter Insert
Length [mm]	230
Width [mm]	160
Height [mm]	30

References

B7298-00QAA


Application info

 Kubistar (08/03--)
 +

615 521 0049
40206-00Q0G

Brake disc



Notes

	Front Axle
Number of Holes	5
Brake Disc Thickness [mm]	28,0
Bolt Hole Circle Ø [mm]	130
Height [mm]	70
Outer Diameter [mm]	302
Minimum Thickness [mm]	24.5
Centering Diameter [mm]	90
	Vented

References

40206-00Q0G

Application info

NV400 (11/11--)

16-15 521 0000
40206-00QAA

Brake disc



Notes

	Front Axle
Number of Holes	4
Brake Disc Thickness [mm]	20,7
Bolt Hole Circle Ø [mm]	100
Height [mm]	41
Outer Diameter [mm]	259
Minimum Thickness [mm]	17.7
Centering Diameter [mm]	61
	Vented

References

40206-00QAA

Application info

Kubistar (08/03--)

615 521 6030
40206-00QAD

Brake disc



Notes

	Front Axle
Number of Holes	6
Brake Disc Thickness [mm]	24,0
Bolt Hole Circle Ø [mm]	110
Height [mm]	61.5
Outer Diameter [mm]	280
Minimum Thickness [mm]	21
Centering Diameter [mm]	79.5
	Vented

References

40206-00QAD

Brake disc
615 521 6030
 40206-00QAD

Application info
 Interstar (07/02--)
 +

Brake disc
615 521 6031
 40206-00QAD

Notes

	Front Axle
Number of Holes	5
Brake Disc Thickness [mm]	28,0
Bolt Hole Circle Ø [mm]	130
Height [mm]	77.8
Outer Diameter [mm]	305.5
Minimum Thickness [mm]	25
Centering Diameter [mm]	90
	Vented

References

40206-00QAD


Application info

 Interstar (07/02--)
 2

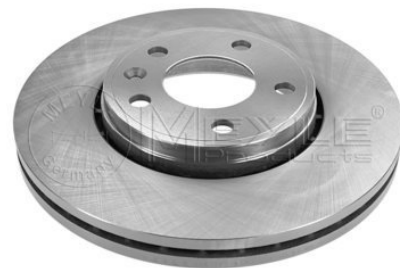
Brake disc
615 521 6038
 40206-00QAF

Notes

	Front Axle
Number of Holes	5
Brake Disc Thickness [mm]	28,0
Bolt Hole Circle Ø [mm]	118
Height [mm]	49.7
Outer Diameter [mm]	305
Minimum Thickness [mm]	24
Centering Diameter [mm]	72
	Vented

References

40206-00QAE 40206-00QAF


Application info

 Primastar (03/01--)
 23

16-15 521 0003
40206-00QAJ

Brake disc



Notes

	Front Axle
Number of Holes	4
Brake Disc Thickness [mm]	20,1
Bolt Hole Circle Ø [mm]	100
Height [mm]	41
Outer Diameter [mm]	238
Minimum Thickness [mm]	17.7
Centering Diameter [mm]	61
	Vented

References

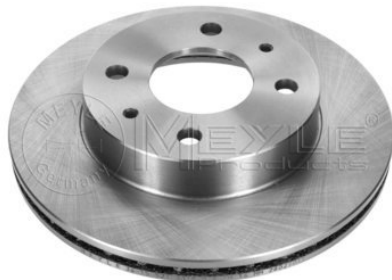
40206-00QAJ

Application info

Kubistar (08/03--)

36-15 521 0019
40206-0M602

Brake disc



Notes

	Front Axle
Number of Holes	4
Brake Disc Thickness [mm]	18,0
Bolt Hole Circle Ø [mm]	100
Height [mm]	45.2
Outer Diameter [mm]	232
Minimum Thickness [mm]	16
Centering Diameter [mm]	61
	Vented

References

40206-0M601

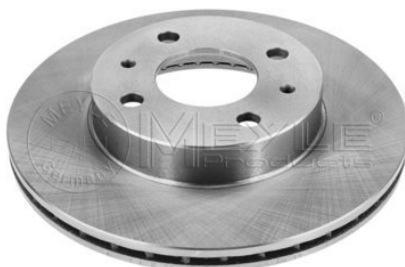
40206-0M602

Application info

Almera I/Pulsar I (07/95-07/00)

36-15 521 0023
40206-0M802

Brake disc



Notes

	Front Axle
Number of Holes	4
Brake Disc Thickness [mm]	18,0
Bolt Hole Circle Ø [mm]	100
Height [mm]	45.2
Outer Diameter [mm]	247
Minimum Thickness [mm]	16
Centering Diameter [mm]	61
	Vented

References

40206-0M801

40206-0M802

Brake disc
36-15 521 0023
 40206-0M802

Application info

Almera I/Pulsar I (07/95-07/00)

Brake disc
36-15 521 0054
 40206-1HA0A

Notes

	Front Axle
Number of Holes	4
Brake Disc Thickness [mm]	22,0
Bolt Hole Circle Ø [mm]	100
Height [mm]	44
Outer Diameter [mm]	260
Minimum Thickness [mm]	20
Centering Diameter [mm]	61
	Vented

References

40206-1HA0A


Application info

Micra (K13) (05/10--)

Brake disc
36-15 521 0053
 40206-1KA3A

Notes

	Front Axle
Number of Holes	5
Brake Disc Thickness [mm]	24,0
Bolt Hole Circle Ø [mm]	114
Height [mm]	43,9
Outer Diameter [mm]	280
Minimum Thickness [mm]	22
Centering Diameter [mm]	68
	Vented

References

40206-1KA3A


Application info

Juke (06/10--)

36-15 521 0046
40206-2N301

Brake disc



Notes

Number of Holes	Front Axle
Brake Disc Thickness [mm]	4
Bolt Hole Circle Ø [mm]	20,0
Height [mm]	100
Outer Diameter [mm]	45.2
Minimum Thickness [mm]	252
Centering Diameter [mm]	18
	61
	Vented

References

40206-2N301

Application info

Almera I/Pulsar I (07/95-07/00)

36-15 521 0046/PD
40206-2N301

Brake disc 



Notes

Number of Holes	Front Axle
Brake Disc Thickness [mm]	4
Bolt Hole Circle Ø [mm]	20,0
Height [mm]	100
Outer Diameter [mm]	45.2
Minimum Thickness [mm]	252
Centering Diameter [mm]	18
	61
	Vented
	Chrome-(VI)- free passivation

References

40206-2N301

Application info

Almera I/Pulsar I (07/95-07/00)

Brake disc 
36-15 521 0037/PD
 40206-2S401

Notes

	Front Axle
Number of Holes	6
Brake Disc Thickness [mm]	25,0
Bolt Hole Circle Ø [mm]	115
Height [mm]	40
Outer Diameter [mm]	260
Minimum Thickness [mm]	23
Centering Diameter [mm]	92
	Vented
	Chrome-(VI)- free passivation


References

40206-2S400	40206-2S401
-------------	-------------

Application info

Pick Up (D22) (01/97--)

Brake disc
36-15 521 0009
 40206-31G01

Notes

	Front Axle
Number of Holes	6
Brake Disc Thickness [mm]	26,0
Bolt Hole Circle Ø [mm]	124
Height [mm]	39
Outer Diameter [mm]	277
Minimum Thickness [mm]	24
Centering Diameter [mm]	100
	Vented


References

40206-0F000	40206-31G01
40206-0F001	40206-31G03
40206-31G00	40206-VJ200

Application info

 Pick Up (D22) (01/97--)
 Terrano I (07/86-02/96)

Terrano II (10/92--)

36-15 521 0048
40206-37J01

Brake disc



Notes

	Front Axle
Number of Holes	6
Brake Disc Thickness [mm]	20,0
Bolt Hole Circle Ø [mm]	137
Height [mm]	29
Outer Diameter [mm]	295
Minimum Thickness [mm]	18
Centering Diameter [mm]	104
	Vented

References

40206-37J01	40206-C7001
40206-7000	40206-G9500

Application info

Patrol (160) (11/79-02/89)
Patrol (260) (10/84-04/98)

Patrol GR I (08/87-02/98)

36-15 521 0059
40206-3LG0A

Brake disc



Notes

	Front Axle
Number of Holes	4
Brake Disc Thickness [mm]	26,0
Bolt Hole Circle Ø [mm]	114.3
Height [mm]	54
Outer Diameter [mm]	256
Minimum Thickness [mm]	24
Centering Diameter [mm]	68
	Vented
Wheel Bolt Bore Ø [mm]	12.8

References

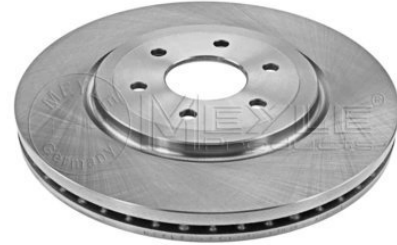
40206-3LG0A	40206-JX00A
-------------	-------------

Application info

NV200 (02/10--)

Brake disc
36-15 521 0051
40206-3X00B
Notes

	Front Axle
Number of Holes	6
Brake Disc Thickness [mm]	28,0
Bolt Hole Circle Ø [mm]	114.3
Height [mm]	37.9
Outer Diameter [mm]	320
Minimum Thickness [mm]	26
Centering Diameter [mm]	68
	Vented


References

40206-3X00B	40206-EB320
40206-5X00A	

Application info

Navara (D40) (10/04--)

Pathfinder (R51) (01/05--)

Brake disc 
36-15 521 0051/PD
40206-3X00B
Notes

	Front Axle
Number of Holes	6
Brake Disc Thickness [mm]	28,0
Bolt Hole Circle Ø [mm]	114.3
Height [mm]	37.9
Outer Diameter [mm]	320
Minimum Thickness [mm]	26
Centering Diameter [mm]	68
	Vented
	Chrome-(VI)- free passivation


References

40206-3X00B	40206-EB320
40206-5X00A	

Application info

Navara (D40) (10/04--)

Pathfinder (R51) (01/05--)

36-15 521 0027
40206-3Y502

Brake disc



Notes

	Front Axle
Number of Holes	5
Brake Disc Thickness [mm]	28,0
Bolt Hole Circle Ø [mm]	114,3
Height [mm]	49,1
Outer Diameter [mm]	280
Minimum Thickness [mm]	26
Centering Diameter [mm]	68
	Vented

References

40206-3Y502	40206-4U103
40206-3Y503	40206-4U107
40206-4U101	

Application info

Almera Tino (08/00--)
Maxima (A33) (04/99-11/03)

Primera (P12, WP12) (01/02--)
X-Trail (T30) (06/01--)

33-15 521 0008
40206-4A00G

Brake disc



Notes

	Front Axle
Number of Holes	4
Brake Disc Thickness [mm]	20,0
Bolt Hole Circle Ø [mm]	100
Height [mm]	51,5
Outer Diameter [mm]	231
Minimum Thickness [mm]	18
Centering Diameter [mm]	60
	Vented

References

40206-4A00G	
-------------	--

Application info

Pixo (03/09--)

Brake disc
36-15 521 0011
 40206-58A01

Notes

	Front Axle
Number of Holes	4
Brake Disc Thickness [mm]	18,0
Bolt Hole Circle Ø [mm]	100
Height [mm]	45
Outer Diameter [mm]	240
Minimum Thickness [mm]	16
Centering Diameter [mm]	61
	Vented


References

40206-58A00	40206-60Y00
40206-58A01	40206-60Y01

Application info

 100 NX (03/90-01/96)
 Sunny (B12, N13) (01/86-10/91)

Sunny (B13, N14, Y10) (05/90-03/00)

Brake disc
36-15 521 0001
 40206-5F001

Notes

	Front Axle
Number of Holes	4
Brake Disc Thickness [mm]	12,0
Bolt Hole Circle Ø [mm]	100
Height [mm]	45.2
Outer Diameter [mm]	234
Minimum Thickness [mm]	10
Centering Diameter [mm]	59
	Solid


References

40206-5F001	40206-5F003
-------------	-------------

Application info

Micra (K11) (01/92-02/03)

36-15 521 0014
40206-71E06

Brake disc



Notes

	Front Axle
Number of Holes	4
Brake Disc Thickness [mm]	22,0
Bolt Hole Circle Ø [mm]	114.3
Height [mm]	49.2
Outer Diameter [mm]	257
Minimum Thickness [mm]	20
Centering Diameter [mm]	68
	Vented

References

40206-71E00	40206-71E06
40206-71E01	40206-71E07
40206-71E02	40206-93J00
40206-71E03	40206-93J01
40206-71E05	

Application info

200 SX (S13) (07/88-11/94)
Almera II (01/00--)
Prairie Pro (M11) (10/88-07/94)

Primera (P10, W10) (06/90-03/98)
Primera (P11, WP11) (06/96-07/02)

36-15 521 0018
40206-73L01

Brake disc



Notes

	Front Axle
Number of Holes	4
Brake Disc Thickness [mm]	22,0
Bolt Hole Circle Ø [mm]	114.3
Height [mm]	49.2
Outer Diameter [mm]	280
Minimum Thickness [mm]	20
Centering Diameter [mm]	68
	Vented

References

40206-2F500	40206-55F03
40206-2F501	40206-73L01
40206-55F01	40206-7J101

Application info

200 SX (S13) (07/88-11/94)
Almera II (01/00--)

Primera (P11, WP11) (06/96-07/02)

Brake disc
16-15 521 0009
40206-AX603
Notes

	Front Axle
Number of Holes	4
Brake Disc Thickness [mm]	22,0
Bolt Hole Circle Ø [mm]	100
Height [mm]	44
Outer Diameter [mm]	260
Minimum Thickness [mm]	19,8
Centering Diameter [mm]	61
	Vented

References

40206-AX600	40206-AX603
40206-AX602	


Application info

Micra (K12) (01/03--)

Note (03/06--)

Brake disc
36-15 521 0033
40206-EA00A
Notes

	Front Axle
Number of Holes	6
Brake Disc Thickness [mm]	28,0
Bolt Hole Circle Ø [mm]	115
Height [mm]	38
Outer Diameter [mm]	295,6
Minimum Thickness [mm]	26
Centering Diameter [mm]	68
	Vented

References

40206-EA00A	40206-EB300
-------------	-------------


Application info

Navara (D40) (10/04--)

Pathfinder (R51) (01/05--)

36-15 521 0050/PD
40206-EG000

Brake disc



Notes

	Front Axle
Number of Holes	5
Brake Disc Thickness [mm]	28,0
Bolt Hole Circle Ø [mm]	114.3
Height [mm]	49
Outer Diameter [mm]	320
Minimum Thickness [mm]	26
Centering Diameter [mm]	68
	Vented
	Chrome-(VI)- free passivation

References

40206-CA010	40206-EG000
-------------	-------------

Application info

Murano (Z50) (08/03--)

Murano (Z51) (11/07--)

36-15 521 0052
40206-EM10A

Brake disc



Notes

	Front Axle
Number of Holes	4
Brake Disc Thickness [mm]	24,0
Bolt Hole Circle Ø [mm]	114.3
Height [mm]	43
Outer Diameter [mm]	279
Minimum Thickness [mm]	22
Centering Diameter [mm]	68
	Vented

References

40206-EM10A

Application info

Cube (Z12) (09/06--)

Tida (08/06--)

Brake disc 
36-15 521 0045/PD
 40206-ET01A

Notes

	Front Axle
Number of Holes	5
Brake Disc Thickness [mm]	28,0
Bolt Hole Circle Ø [mm]	114.3
Height [mm]	44
Outer Diameter [mm]	320
Minimum Thickness [mm]	26
Centering Diameter [mm]	68
	Vented
	Chrome-(VI)- free passivation
Wheel Bolt Bore Ø [mm]	12.7


References

40206-ET01A

Application info

Qashqai (02/07--)

Brake disc 
36-15 521 0047/PD
 40206-JD00A

Notes

	Front Axle
Number of Holes	5
Brake Disc Thickness [mm]	26,0
Bolt Hole Circle Ø [mm]	114.3
Height [mm]	43.9
Outer Diameter [mm]	296
Minimum Thickness [mm]	24
Centering Diameter [mm]	68
	Vented
	Chrome-(VI)- free passivation


References

40206-JD00A

40206-JG00A

Application info

Qashqai (02/07--)

X-Trail (T31) (06/07--)

36-15 521 0049
40206-VB001

Brake disc



Notes

	Front Axle
Number of Holes	6
Brake Disc Thickness [mm]	32,0
Bolt Hole Circle Ø [mm]	137
Height [mm]	47
Outer Diameter [mm]	306
Minimum Thickness [mm]	30
Centering Diameter [mm]	109
	Vented

References

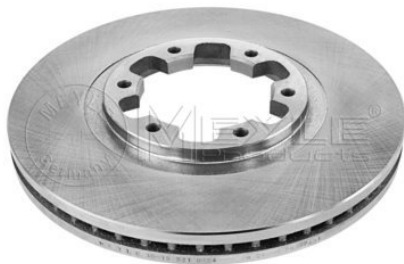
40206-VB000	40206-VB001
-------------	-------------

Application info

Patrol GR II (06/97--)

36-15 521 0024
40206-VE800

Brake disc



Notes

	Front Axle
Number of Holes	6
Brake Disc Thickness [mm]	28,0
Bolt Hole Circle Ø [mm]	141
Height [mm]	38
Outer Diameter [mm]	300
Minimum Thickness [mm]	26
Centering Diameter [mm]	100.2
	Vented

References

40206-1W600	40206-VE800
40206-6W500	

Application info

Pathfinder (R50) (09/95-12/04)

Pick Up (D22) (01/97--)

Brake disc
615 523 6037
 43206-00QAA

Notes

	Rear Axle
Number of Holes	5
Brake Disc Thickness [mm]	12
Bolt Hole Circle Ø [mm]	130
Height [mm]	66.8
Outer Diameter [mm]	305
Minimum Thickness [mm]	10.5
Centering Diameter [mm]	90
	Solid

References

43206-00QAA


Application info

Interstar (07/02--)

Brake disc
615 523 0022
 43206-00QAC

Notes

	Rear Axle
Number of Holes	5
Brake Disc Thickness [mm]	12,0 with ABS sensor ring with bearing(s)
Bolt Hole Circle Ø [mm]	118
Height [mm]	102.2
Outer Diameter [mm]	280
Minimum Thickness [mm]	10
Centering Diameter [mm]	68
	Solid

References

 43206-00QAB
 43206-00QAC

43206-00QAD


Application info

Primastar (03/01--)

36-15 523 0015
43206-4U001

Brake disc



Notes

Number of Holes	Rear Axle
Brake Disc Thickness [mm]	5
Bolt Hole Circle Ø [mm]	9,0
Height [mm]	114.3
Outer Diameter [mm]	44.6
Minimum Thickness [mm]	278
Centering Diameter [mm]	8
	68
	Solid

References

43206-2Y503	43206-WA201
43206-4U001	

Application info

Maxima (A32) (03/94--)

Maxima (A33) (04/99-11/03)

36-15 523 0022
43206-4U101

Brake disc



Notes

Number of Holes	Rear Axle
Brake Disc Thickness [mm]	5
Bolt Hole Circle Ø [mm]	10,0
Height [mm]	114
Outer Diameter [mm]	45
Minimum Thickness [mm]	278
Centering Diameter [mm]	9
	68
	Solid

References

43206-4U101	43206-4U103
-------------	-------------

Application info

Almera Tino (08/00--)

Primera (P12, WP12) (01/02--)

Brake disc
36-15 523 0032
 43206-54C01

Notes

	Rear Axle
Number of Holes	4
Brake Disc Thickness [mm]	9,0
Bolt Hole Circle Ø [mm]	100
Height [mm]	44.4
Outer Diameter [mm]	258
Minimum Thickness [mm]	8
Centering Diameter [mm]	68
	Solid

References

43206-54C00	43206-54C01
-------------	-------------


Application info

 100 NX (03/90-01/96)
 Almera I/Pulsar I (07/95-07/00)

Sunny (B13, N14, Y10) (05/90-03/00)

Brake disc
36-15 523 0017
 43206-58Y01

Notes

	Rear Axle
Number of Holes	4
Brake Disc Thickness [mm]	7,0
Bolt Hole Circle Ø [mm]	100
Height [mm]	39.5
Outer Diameter [mm]	234
Minimum Thickness [mm]	6
Centering Diameter [mm]	68
	Solid

References

43206-58Y00	43206-58Y01
-------------	-------------


Application info

 100 NX (03/90-01/96)
 Almera I/Pulsar I (07/95-07/00)

Sunny (B13, N14, Y10) (05/90-03/00)

36-15 523 0024
43206-5F001

Brake disc



Notes

	Rear Axle
Number of Holes	4
Brake Disc Thickness [mm]	7,0
Bolt Hole Circle Ø [mm]	100
Height [mm]	41
Outer Diameter [mm]	240
Minimum Thickness [mm]	6
Centering Diameter [mm]	61
	Solid

References

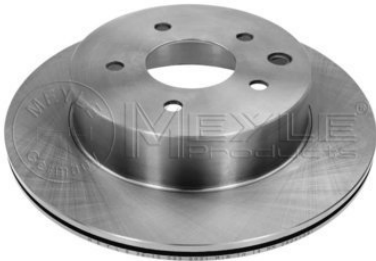
43206-5F001

Application info

Micra (K11) (01/92-02/03)

36-15 523 0021
43206-8H701

Brake disc



Notes

	Rear Axle
Number of Holes	5
Brake Disc Thickness [mm]	16,0
Bolt Hole Circle Ø [mm]	114.3
Height [mm]	62
Outer Diameter [mm]	292
Minimum Thickness [mm]	14
Centering Diameter [mm]	68
	Vented

References

43206-8H305	43206-8H701
43206-8H700	

Application info

Qashqai (02/07--)
X-Trail (T30) (06/01--)

X-Trail (T31) (06/07--)

Brake disc 
36-15 523 0021/PD
 43206-8H701

Notes

	Rear Axle
Number of Holes	5
Brake Disc Thickness [mm]	16,0
Bolt Hole Circle Ø [mm]	114.3
Height [mm]	62
Outer Diameter [mm]	292
Minimum Thickness [mm]	14
Centering Diameter [mm]	68
	Vented
	Chrome-(VI)- free passivation


References

43206-8H305	43206-8H701
43206-8H700	

Application info

Qashqai (02/07--)	X-Trail (T31) (06/07--)
X-Trail (T30) (06/01--)	

Brake disc
36-15 523 0001
 43206-99J01

Notes

	Rear Axle
Number of Holes	4
Brake Disc Thickness [mm]	10,0
Bolt Hole Circle Ø [mm]	114.3
Height [mm]	45
Outer Diameter [mm]	258
Minimum Thickness [mm]	9
Centering Diameter [mm]	68
	Solid


References

43206-5M311	43206-99J01
43206-99J00	

Application info

Almera II (01/00--)	Primera (P11, WP11) (06/96-07/02)
Primera (P10, W10) (06/90-03/98)	

36-15 523 0034
43206-99J04

Brake disc



Notes

Number of Holes	Rear Axle
Brake Disc Thickness [mm]	4
Bolt Hole Circle Ø [mm]	10,3
Height [mm]	114.3
Outer Diameter [mm]	45
Minimum Thickness [mm]	279
Centering Diameter [mm]	9
	68
	Solid

References

43206-99J04

Application info

Primera (P11, WP11) (06/96-07/02)

36-15 523 0027/PD
43206-CA000

Brake disc 



Notes

Number of Holes	Rear Axle
Brake Disc Thickness [mm]	5
Bolt Hole Circle Ø [mm]	16,0
Height [mm]	114.3
Outer Diameter [mm]	62
Minimum Thickness [mm]	308
Centering Diameter [mm]	14
	68
	Vented
	Chrome-(VI)- free passivation

References

43206-CA000	43206-WL000
43206-EG000	

Application info

Murano (Z50) (08/03--)

Murano (Z51) (11/07--)

Brake disc
36-15 523 0035
 43206-EB300

Notes

	Rear Axle
Number of Holes	6
Brake Disc Thickness [mm]	18,0
Bolt Hole Circle Ø [mm]	114.3
Height [mm]	63
Outer Diameter [mm]	307
Minimum Thickness [mm]	16
Centering Diameter [mm]	68
	Vented


References

43206-EB300

Application info

Navara (D40) (10/04--)

Pathfinder (R51) (01/05--)

Brake disc 
36-15 523 0035/PD
 43206-EB300

Notes

	Rear Axle
Number of Holes	6
Brake Disc Thickness [mm]	18,0
Bolt Hole Circle Ø [mm]	114.3
Height [mm]	63
Outer Diameter [mm]	307
Minimum Thickness [mm]	16
Centering Diameter [mm]	68
	Vented
	Chrome-(VI)- free passivation


References

43206-EB300

Application info

Navara (D40) (10/04--)

Pathfinder (R51) (01/05--)

2

36-15 523 0033/PD
43206-JD00A

Brake disc 



Notes

	Rear Axle
Number of Holes	5
Brake Disc Thickness [mm]	9,0
Bolt Hole Circle Ø [mm]	114.3
Height [mm]	62.3
Outer Diameter [mm]	291
Minimum Thickness [mm]	8
Centering Diameter [mm]	68
	Solid
	Chrome-(VI)- free passivation

References

43206-JD00A

Application info

Juke (06/10--)

Qashqai (02/07--)

36-15 523 0039
43206-VB000

Brake disc



Notes

	Front Axle
Number of Holes	6
Brake Disc Thickness [mm]	18
Bolt Hole Circle Ø [mm]	139.7
Height [mm]	80
Outer Diameter [mm]	315.7
Minimum Thickness [mm]	16
Centering Diameter [mm]	111
	Vented

References

43206-05J03
43206-05J04

43206-VB000

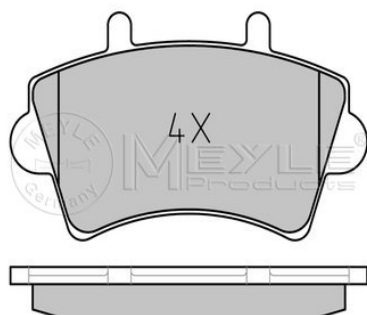
Application info

Patrol GR I (08/87-02/98)

Patrol GR II (06/97--)

025 236 1318
41060-00QAD

Brake pad set



Notes

	Front Axle
	with anti-squeak plate
Brake System	Bosch
Width [mm]	138.7
Height [mm]	79.5
Thickness [mm]	17.8
	excl. wear warning contact

References

41060-00QAD



Brake pad set
025 236 1318
 41060-00QAD

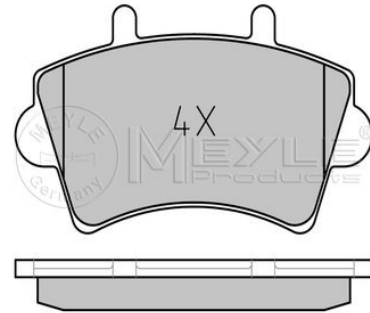
Application info
 Interstar (07/02--)
 +

Brake pad set 
025 236 1318/PD
 41060-00QAD

Notes

 Brake System
 Width [mm]
 Height [mm]
 Thickness [mm]

 Front Axle
 with anti-squeak plate
 Bosch
 138.7
 79.5
 17.8
 excl. wear warning contact

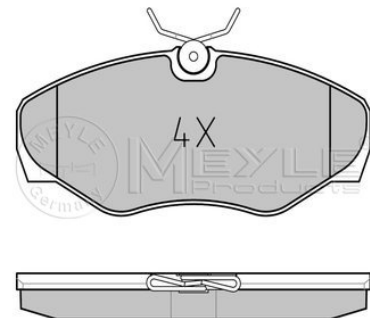
References
 41060-00QAD

Application info
 Interstar (07/02--)
 2

Brake pad set
025 230 9918
 41060-00QAE

Notes

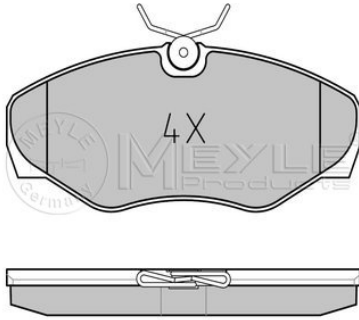
 Brake System
 Width [mm]
 Height [mm]
 Thickness [mm]

 Front Axle
 with anti-squeak plate
 Lucas Girling
 144.9
 62.4
 17.7
 prepared for wear indicator

References
 41060-00QAE

Application info
 Interstar (07/02--)
 Primastar (03/01--)
 45

025 230 9918/PD
41060-00QAE

Brake pad set



Notes

Brake System
Width [mm]
Height [mm]
Thickness [mm]

Front Axle
with anti-squeak plate
Lucas Girling
144.9
62.4
17.7
prepared for wear indicator

References

41060-00QAE

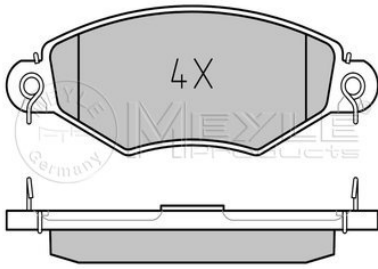
Application info

Interstar (07/02--)

Primastar (03/01--)

025 219 8018
41060-00QAG

Brake pad set



Notes

Brake System
Width [mm]
Height [mm]
Thickness [mm]

Front Axle
with anti-squeak plate
Bosch
130.6
47.2
18
not prepared for wear indicator

References

41060-00QAF

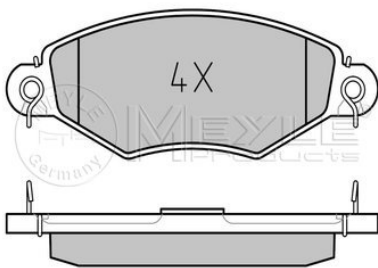
41060-00QAG

Application info

Kubistar (08/03--)

025 219 8018/PD
41060-00QAG

Brake pad set



Notes

Brake System
Width [mm]
Height [mm]
Thickness [mm]

Front Axle
with anti-squeak plate
Bosch
130.6
47.2
18
not prepared for wear indicator

References

41060-00QAF

41060-00QAG

Application info

Kubistar (08/03--)

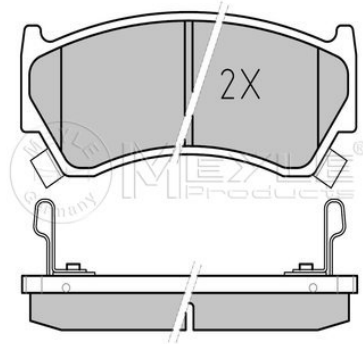
Brake pad set
025 230 0415/W
 41060-1N890

Notes

Front Axle with anti-squeak plate Akebono
Brake System
Number of Wear Indicators
Width [mm]
Height [mm]
Thickness [mm]

References

41060-1N060	41060-1N890
41060-1N090	


Application info

Almera I/Pulsar I (07/95-07/00)

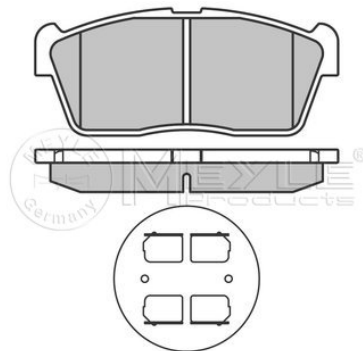
Brake pad set
025 235 0715
 41060-4A00B

Notes

Front Axle with anti-squeak plate Sumitomo
Brake System
Number of Wear Indicators
Width [mm]
Height [mm]
Thickness [mm]

References

41060-4A00B


Application info

Pixo (03/09--)

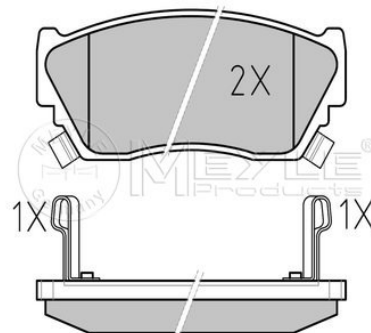
Brake pad set
025 216 5716/W
 41060-63Y90

Notes

Front Axle with anti-squeak plate Sumitomo
Brake System
Number of Wear Indicators
Width [mm]
Height [mm]
Thickness [mm]

References

41060-50Y94	41060-63C90
41060-62C90	41060-63Y90



025 216 5716/W
41060-63Y90

Brake pad set

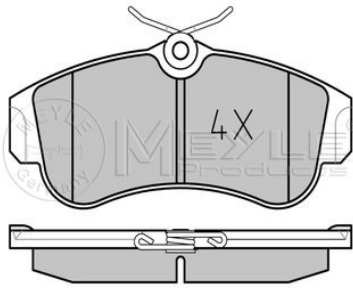
Application info

100 NX (03/90-01/96)

Sunny (B13, N14, Y10) (05/90-03/00)

025 215 4617
41060-71J26

Brake pad set



Notes

Brake System
Width [mm]
Height [mm]
Thickness [mm]

Front Axle
with anti-squeak plate
Lucas Girling
129.3
57
17.5
not prepared for wear indicator

References

41060-2F025
41060-4M525
41060-4M526

41060-71J25
41060-71J26
41060-BM425

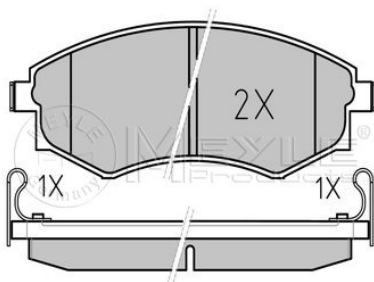
Application info

Almera II (01/00--)
Primera (P10, W10) (06/90-03/98)

Primera (P11, WP11) (06/96-07/02)

025 217 2517/W
41060-80N90

Brake pad set



Notes

Brake System
Number of Wear Indicators
Width [mm]
Height [mm]
Thickness [mm]

Front Axle
with anti-squeak plate
Akebono
2
137.2
54.2
17
with acoustic wear warning

References

41060-32R94
41060-44F92
41060-48R91

41060-80N90
D1060-3C490
D1060-79E92

Application info

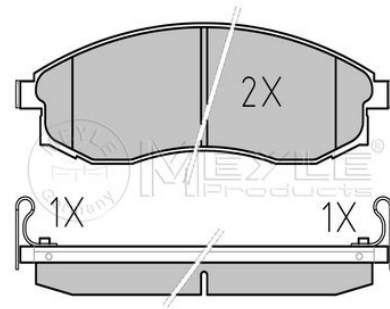
200 SX (S13) (07/88-11/94)
Prairie Pro (M11) (10/88-07/94)

Primera (P10, W10) (06/90-03/98)

Brake pad set
025 230 8617/W
 41060-89E92

Notes

Front Axle
 with anti-squeak plate
 Sumitomo
 Number of Wear Indicators 2
 Width [mm] 150.8
 Height [mm] 52
 Thickness [mm] 17
 with acoustic wear warning


References

41060-17U90 41060-38U90
 41060-1E090 41060-89E92

Application info

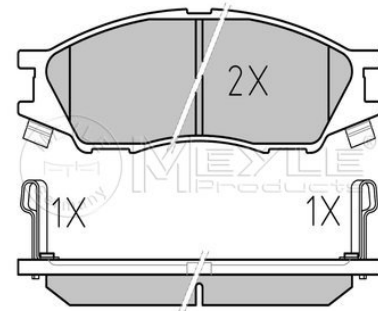
Maxima (A32) (03/94--)

Maxima (J30) (10/88-02/95)

Brake pad set
025 246 4815/W
 41060-95F0B

Notes

Front Axle
 with anti-squeak plate
 Akebono
 Number of Wear Indicators 2
 Width [mm] 134.9
 Height [mm] 48.4
 Thickness [mm] 15.4
 with acoustic wear warning


References

41060-6N091 41060-95F0B
 41060-6N0X1 D1060-6N091
 41060-95FOA

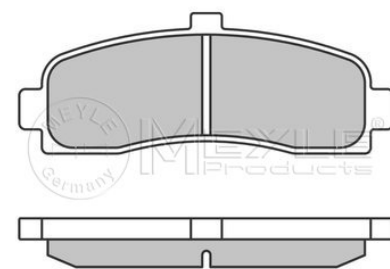
Application info

Almera II (01/00--)

Brake pad set
025 216 2615
 41060-99B26

Notes

Front Axle
 with anti-squeak plate
 Akebono
 Width [mm] 120.7
 Height [mm] 45.3
 Thickness [mm] 15.7
 not prepared for wear indicator


References

41060-6F625 41060-99B26
 41060-99B25

025 216 2615
41060-99B26

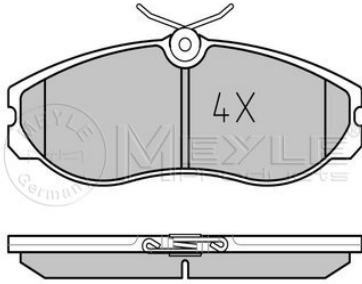
Brake pad set

Application info

Micra (K11) (01/92-02/03)

025 214 8115
41060-9C526

Brake pad set



Notes

Brake System
Width [mm]
Height [mm]
Thickness [mm]

Front Axle
with anti-squeak plate
Lucas Girling / TRW
144.9
55.6
15.5
not prepared for wear indicator

References

41060-2X825
41060-9C125

41060-9C525
41060-9C526

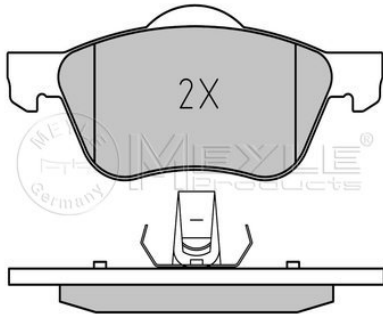
Application info

Serena (C23M) (07/92-09/01)
Terrano II (10/92--)

Vanette (C23) (09/94--)

025 231 6017
41060-9F525

Brake pad set



Notes

Brake System
Width 1 [mm]
Width 2 [mm]
Height 1 [mm]
Height 2 [mm]
Thickness [mm]

Front Axle
with anti-squeak plate
ATE
156.3
155
62.8
64.9
17.3
not prepared for wear indicator

References

41060-9F525

Application info

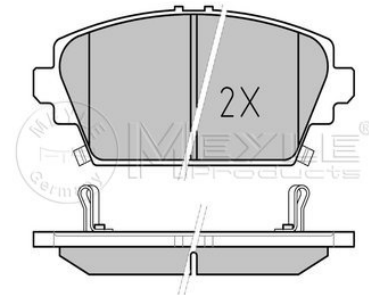
Primera (P11, WP11) (06/96-07/02)

Brake pad set
025 230 9416/W
41060-AV125
Notes

Brake System	Front Axle
Number of Wear Indicators	with anti-squeak plate
Width [mm]	Lucas Girling
Height [mm]	2
Thickness [mm]	131.5
	58.7
	16.5
	with acoustic wear warning

References

41060-4U125	41060-AV125
41060-4U126	41060-AV126
41060-4U127	


Application info

Almera Tino (08/00--)
 Primera (P11, WP11) (06/96-07/02)

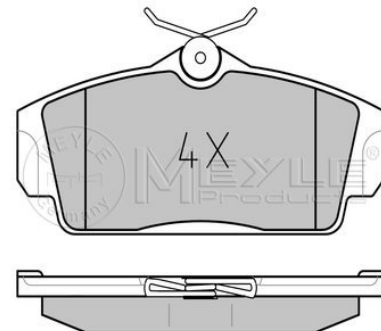
Primera (P12, WP12) (01/02--)

Brake pad set
025 234 6316
41060-BM525
Notes

Brake System	Front Axle
Width [mm]	with anti-squeak plate
Height [mm]	Lucas Girling
Thickness [mm]	124.1
	57.2
	16.6
	not prepared for wear indicator

References

41060-2F525	41060-5M326
41060-2F526	41060-BM525
41060-2F527	D1060-BM50A
41060-5M325	

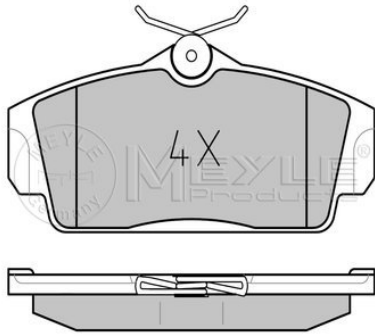

Application info

Almera II (01/00--)

Primera (P11, WP11) (06/96-07/02)

025 234 6316/PD
41060-BM525

Brake pad set



Notes

Brake System
Width [mm]
Height [mm]
Thickness [mm]

Front Axle
with anti-squeak plate
Lucas Girling
124.1
57.2
16.6
not prepared for wear indicator

References

41060-2F525
41060-2F526
41060-2F527
41060-5M325

41060-5M326
41060-BM525
D1060-BM50A

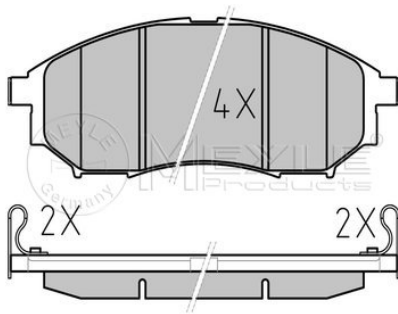
Application info

Almera II (01/00--)

Primera (P11, WP11) (06/96-07/02)

025 236 9816/W
41060-EB325

Brake pad set



Notes

Brake System
Number of Wear Indicators
Width [mm]
Height [mm]
Thickness [mm]

Front Axle
with anti-squeak plate
Sumitomo
4
157
58.5
16.8
with acoustic wear warning

References

41060-CC090

41060-EB325

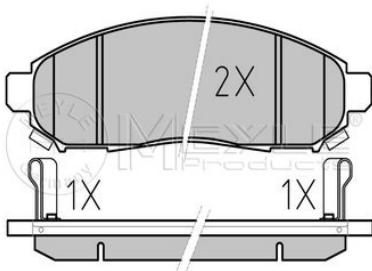
Application info

Murano (Z50) (08/03--)
Navara (D40) (10/04--)

Pathfinder (R51) (01/05--)

025 242 2716/W
41060-EB326

Brake pad set



Notes

Brake System
Number of Wear Indicators
Width [mm]
Height [mm]
Thickness [mm]

Front Axle
with anti-squeak plate
Tokico
2
163.7
54.2
16.7
with acoustic wear warning

References

41060-EB326

Brake pad set
025 242 2716/W
 41060-EB326

Application info

 Navara (D40) (10/04--)
 NP300 (04/08--)

Pathfinder (R51) (01/05--)

Brake pad set
025 208 6316
 41060-T7893

Notes

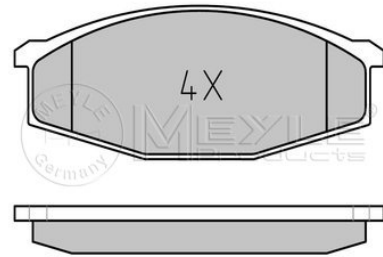
 Brake System
 Width [mm]
 Height [mm]
 Thickness [mm]

 Front Axle
 with anti-squeak plate
 Sumitomo
 142.1
 53.5
 17.1
 not prepared for wear indicator

References

 41060-C8186
 41060-G9800

41060-T7893


Application info

 Patrol (160) (11/79-02/89)
 Patrol (260) (10/84-04/98)

Patrol GR I (08/87-02/98)

Brake pad set
025 213 4717
 41060-V7090

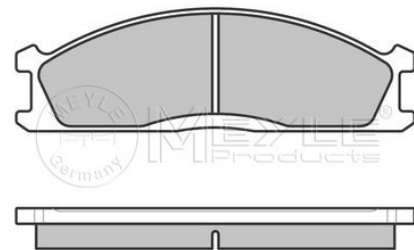
Notes

 Brake System
 Width [mm]
 Height [mm]
 Thickness [mm]

 Front Axle
 with anti-squeak plate
 Akebono
 160
 49.3
 16.3
 not prepared for wear indicator

References

 41060-08N90
 41060-08N91
 41060-08N92
 41060-09G90
 41060-23C90
 41060-23C91
 41060-23C92
 41060-23C93
 41060-23C94

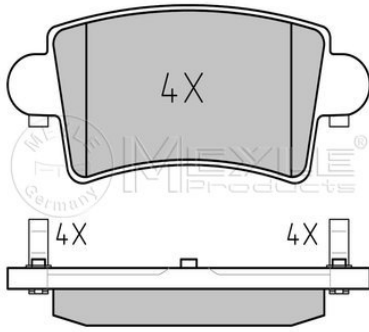
 41060-25N25
 41060-25790
 41060-32G91
 41060-32G92
 41060-32G94
 41060-35590
 41060-35591
 41060-V7085
 41060-V7090

Application info

 Pick Up (D21) (09/85-02/98)
 Pick Up (D22) (01/97--)
 Terrano I (07/86-02/96)
 Trade (11/86-09/04)
 Urvan (E23) (07/80-11/98)

 Urvan (E24) (06/86-05/97)
 Vanette (C22) (10/86-12/95)
 Vanette (C23) (09/94--)
 Vanette (KC120) (06/81-12/87)

025 236 6916
44060-00QAE

Brake pad set



Notes

Brake System
Width [mm]
Height [mm]
Thickness [mm]

Rear Axle
with anti-squeak plate
Bosch
115.7
51.3
16.8
excl. wear warning contact

References

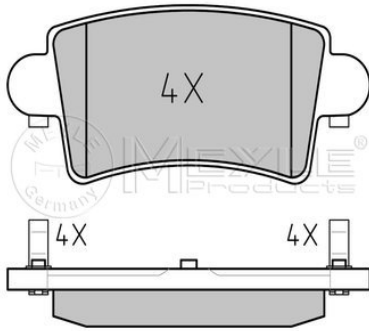
44060-00QAE

Application info

Interstar (07/02--)

025 236 6916/PD
44060-00QAE

Brake pad set 



Notes

Brake System
Width [mm]
Height [mm]
Thickness [mm]

Rear Axle
with anti-squeak plate
Bosch
115.7
51.3
16.8
excl. wear warning contact

References

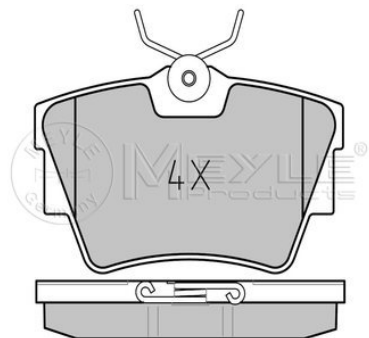
44060-00QAE

Application info

Interstar (07/02--)

025 239 8017
44060-00QAF

Brake pad set



Notes

Brake System
Width [mm]
Height [mm]
Thickness [mm]

Rear Axle
with anti-squeak plate
Lucas Girling
94.8
57.3
16.7
prepared for wear indicator

References

44060-00QAF

Application info

Primastar (03/01--)

Brake pad set 
025 239 8017/PD
 44060-00QAF

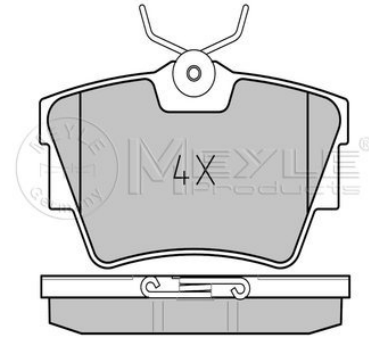
Notes

 Brake System
 Width [mm]
 Height [mm]
 Thickness [mm]

 Rear Axle
 with anti-squeak plate
 Lucas Girling
 94.8
 57.3
 16.7
 prepared for wear indicator

References

44060-00QAF


Application info

Primastar (03/01--)

Brake pad set
025 215 4515
 44060-70J26

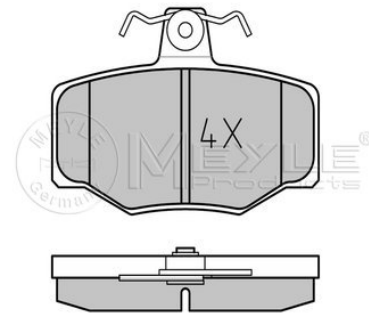
Notes

 Brake System
 Width [mm]
 Height [mm]
 Thickness [mm]

 Rear Axle
 with anti-squeak plate
 Lucas Girling
 82.2
 57
 15.6
 not prepared for wear indicator

References

 44060-3F025
 44060-3F085
 44060-70J26

 44060-BM425
 44060-BM426
 D4060-BM40A

Application info

 Almera II (01/00--)
 Almera Tino (08/00--)

 Primera (P10, W10) (06/90-03/98)
 Primera (P11, WP11) (06/96-07/02)

Brake pad set 
025 215 4515/PD
 44060-70J26

Notes

 Brake System
 Width [mm]
 Height [mm]
 Thickness [mm]

 Rear Axle
 with anti-squeak plate
 Lucas Girling
 82.2
 57
 15.6
 not prepared for wear indicator

References

 44060-3F025
 44060-3F085
 44060-70J26

 44060-BM425
 44060-BM426
 D4060-BM40A

025 215 4515/PD
44060-70J26

Brake pad set 

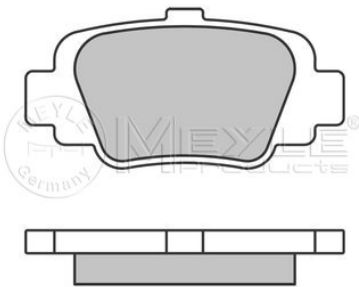
Application info

Almera II (01/00--)
Almera Tino (08/00--)

Primera (P10, W10) (06/90-03/98)
Primera (P11, WP11) (06/96-07/02)

025 234 5415
44060-99B85

Brake pad set



Notes

Brake System
Width [mm]
Height [mm]
Thickness [mm]

Rear Axle
with anti-squeak plate
Sumitomo
88.8
45.3
15
not prepared for wear indicator

References

44060-99B25

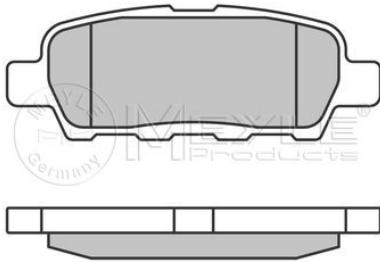
44060-99B85

Application info

Micra (K11) (01/92-02/03)

025 238 7114/W
44060-AL588

Brake pad set



Notes

Brake System
Number of Wear Indicators
Width [mm]
Height [mm]
Thickness [mm]

Rear Axle
with anti-squeak plate
Akebono
2
105.4
38
14.2
with acoustic wear warning

References

44060-8H385
44060-AL585
44060-AL586
44060-AL588

D4060-8H385
D4060-EM11A
D4060-JA00A

Application info

Murano (Z50) (08/03--)
Qashqai (02/07--)

X-Trail (T30) (06/01--)
X-Trail (T31) (06/07--)

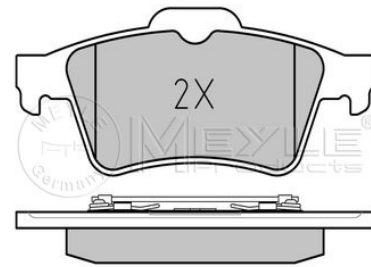
Brake pad set
025 234 8216
 44060-AV725

Notes

Brake System	Rear Axle
Width [mm]	with anti-squeak plate
Height [mm]	ATE
Thickness [mm]	123
	51.9
	16.5
	not prepared for wear indicator

References

44060-AV625	44060-AV725
-------------	-------------


Application info

Primera (P12, WP12) (01/02--)

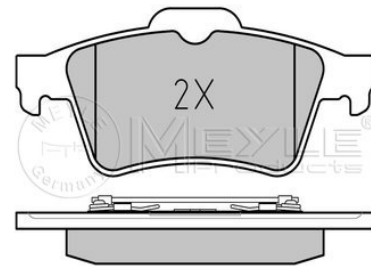
Brake pad set 
025 234 8216/PD
 44060-AV725

Notes

Brake System	Rear Axle
Width [mm]	with anti-squeak plate
Height [mm]	ATE
Thickness [mm]	123
	51.9
	16.5
	not prepared for wear indicator

References

44060-AV625	44060-AV725
-------------	-------------


Application info

Primera (P12, WP12) (01/02--)

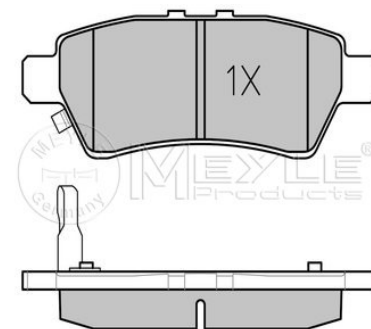
Brake pad set
025 242 4016/W
 44060-EB325

Notes

Brake System	Rear Axle
Number of Wear Indicators	with anti-squeak plate
Width [mm]	Tokico
Height [mm]	1
Thickness [mm]	110.6
	40.8
	16.6
	with acoustic wear warning

References

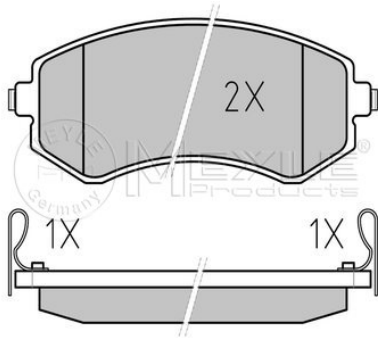
44060-EB325


Application info

Pathfinder (R51) (01/05--)

025 235 0216/W
44060-VC090

Brake pad set



Notes

	Rear Axle with anti-squeak plate
Number of Wear Indicators	2
Width [mm]	121
Height [mm]	50.5
Thickness [mm]	16 with acoustic wear warning

References

44060-VB190	D4060-VC090
44060-VC090	

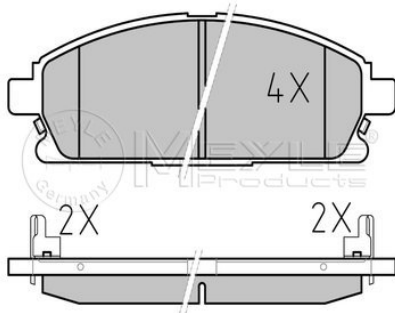
Application info

Almera I/Pulsar I (07/95-07/00)

Patrol GR II (06/97--)

025 234 2016/W
D1060-8H785

Brake pad set



Notes

	Front Axle with anti-squeak plate
Brake System	Sumitomo
Number of Wear Indicators	2
Width [mm]	158.8
Height [mm]	55.3
Thickness [mm]	16.5 with acoustic wear warning

References

41060-8H785	D1060-8H785
D1060-8H71A	

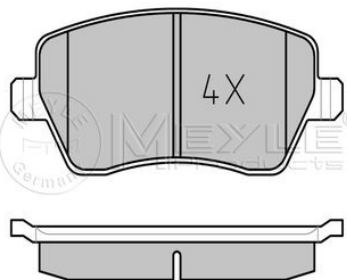
Application info

Pathfinder (R50) (09/95-12/04)

X-Trail (T30) (06/01--)

025 239 7317
D1060-AX61F

Brake pad set



Notes

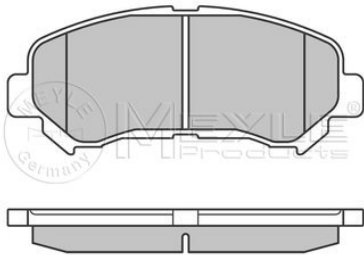
	Front Axle with anti-squeak plate
Brake System	Lucas Girling
Width [mm]	116.5
Height [mm]	52.6
Thickness [mm]	17.3 excl. wear warning contact

References

41060-AX625	D1060-AX61A
D1060-AX60A	D1060-AX61F

025 246 3217
D1060-JD00A

Brake pad set



Notes

Brake System
Number of Wear Indicators
Width [mm]
Height [mm]
Thickness [mm]

Front Axle
with anti-squeak plate
Akebono
1
142
59.3
17
with acoustic wear warning

References

D1060-JD00A

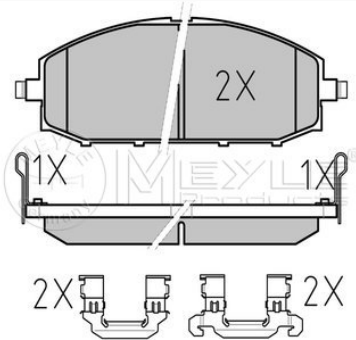
Application info

Qashqai (02/07--)

X-Trail (T31) (06/07--)

025 236 1118/W
D1060-VC290

Brake pad set



Notes

Brake System
Number of Wear Indicators
Width [mm]
Height [mm]
Thickness [mm]

Front Axle
with anti-squeak plate
Akebono
2
165.8
61.4
18.8
with acoustic wear warning

References

41060-VB290
41060-VC091
41060-VC290

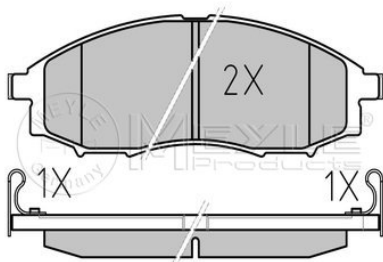
D1060-VC091
D1060-VC290

Application info

Patrol GR II (06/97--)

025 239 7017/W
D1060-VK190

Brake pad set



Notes

Brake System
Number of Wear Indicators
Width [mm]
Height [mm]
Thickness [mm]

Front Axle
with anti-squeak plate
Akebono
2
164.2
57
17
with acoustic wear warning

References

41060-7Z025
41060-VK190

D1060-VK190

Brake pad set
025 239 7017/W
 D1060-VK190

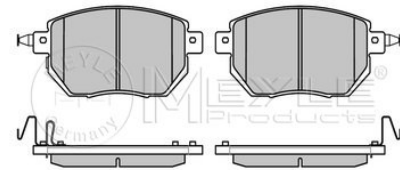
Application info

 NP300 (04/08--)
 Pick Up (D22) (01/97--)
 2

Brake pad set
025 240 5615/W
 D1M60-1AA0K

Notes

 Brake System
 Number of Wear Indicators
 Width [mm]
 Height [mm]
 Thickness [mm]

 Front Axle
 with anti-squeak plate
 Tokico
 2
 135.5
 66
 15.5
 incl. wear warning contact

References

 41060-CA090
 41060-CA092
 41060-CA093
 41060-CG00J

 41060-ZA525
 AY040-NS121
 D1M60-1AA0K

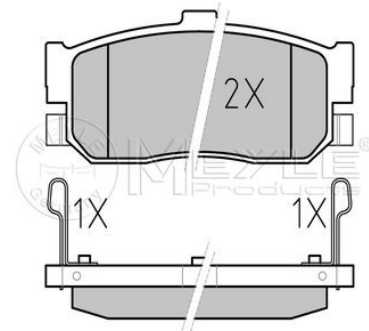
Application info

 Maxima (A32) (03/94--)
 Murano (Z50) (08/03--)
 2

Brake pad set
025 217 1316/W
 D4060-4U090

Notes

 Brake System
 Number of Wear Indicators
 Width [mm]
 Height [mm]
 Thickness [mm]

 Rear Axle
 with anti-squeak plate
 Sumitomo
 2
 105.3
 46.8
 16
 with acoustic wear warning

References

 440600-N690
 44060-4U090
 44060-54C91
 44060-5M490
 44060-63C90
 44060-6E390
 44060-73C91

 44060-75C90
 44060-78N91
 44060-7E690
 44060-87N90
 44065-53F92
 D4060-4U090

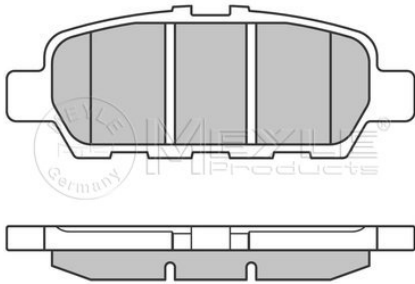
Application info

 100 NX (03/90-01/96)
 Almera I/Pulsar I (07/95-07/00)
 Almera II (01/00--)
 Maxima (A32) (03/94--)
 Maxima (A33) (04/99-11/03)

 Maxima (J30) (10/88-02/95)
 Primera (P10, W10) (06/90-03/98)
 Primera (P11, WP11) (06/96-07/02)
 Sunny (B13, N14, Y10) (05/90-03/00)

025 248 7113/W
D4M609N00A

Brake pad set



Notes

Brake System
Number of Wear Indicators
Width [mm]
Height [mm]
Thickness [mm]

Rear Axle
with anti-squeak plate
Akebono
2
105.4
39.4
13.8
with acoustic wear warning

References

D4060-9N00A
D4M609N00A

D4M609N00B

Application info

Juke (06/10--)

Murano (Z51) (11/07--)

014 698 0006

41142-9F525

Guide sleeve kit, brake caliper



Notes

Brake System

Front Axle
ATE
without guide bolts

References

41139-9F525

41142-9F525

Application info

Primera (P12, WP12) (01/02--)

014 698 0006/S

41142-9F525

Guide sleeve kit, brake caliper



Notes

Brake System

Front Axle
ATE
with guide pin

References

41139-9F525

41142-9F525

Parts list

014 698 0006

Guide sleeve kit, brake caliper

Guide sleeve kit, brake caliper
014 698 0006/S
 41142-9F525

Application info

Primera (P12, WP12) (01/02--)

Brake drum
16-15 523 0002
 43200-00QAG

Notes

	Rear Axle
Number of Holes	4
Inner Br. Drum Diam. [mm]	203.1
Br. Drum outer diameter [mm]	234
Max.skimmed drum measure [mm]	203.5
Bolt Hole Circle Ø [mm]	100
Total Br. Drum Height [mm]	76
Inner Brake Drum Height [mm]	50.5
Centering Diameter [mm]	60

References

43200-00QAF 43200-00QAG


Application info

Kubistar (08/03--)

Brake shoe kit
014 042 0902
 069053200

Notes

	Rear Axle
Brake System	Lucas Girling
Width [mm]	57
Diameter [mm]	254
	without spring

References

069053200


Application info

Trade (11/86-09/04)

16-14 533 0002
44060-00QAG

Brake shoe kit



Notes

Brake System
Width [mm]
Diameter [mm]

Rear Axle
Bendix
39
203
with lever
without spring

References

44060-00QAG

Application info

Kubistar (08/03--)

16-14 533 0024/K
44060-00QAG

Brake shoe kit



Notes

Brake System
Width [mm]
Diameter [mm]

Rear Axle
Bendix
39
203
Pre-assembled
with lever
with accessories
without wheel brake cylinder

References

44060-00QAG

Application info

Kubistar (08/03--)

36-14 533 0014
44060-0X825

Brake shoe kit



Notes

Width [mm]
Diameter [mm]

Rear Axle
65
280
with lever
without spring

References

44060-0X825

44060-9X129

Application info

Pathfinder (R50) (09/95-12/04)

Terrano II (10/92--)

Brake shoe kit
16-14 533 0001
 44060-3J325

Notes

 Brake System
 Width [mm]
 Diameter [mm]

 Rear Axle
 Bendix
 42
 229
 with lever
 without spring

References

44060-00QAK

44060-3J325


Application info

Kubistar (08/03--)

Primera (P11, WP11) (06/96-07/02)

Brake shoe kit
36-14 533 0016
 44060-50Y25

Notes

 Width [mm]
 Diameter [mm]

 Rear Axle
 31
 180
 without spring

References

44060-50Y25


Application info

 100 NX (03/90-01/96)
 Almera I/Pulsar I (07/95-07/00)

Sunny (B13, N14, Y10) (05/90-03/00)

Brake shoe kit
36-14 533 0004
 44060-6F625

Notes

 Width [mm]
 Diameter [mm]

 Rear Axle
 27
 180
 with lever
 without spring

References

44060-6F625

44060-99B26


Application info

Micra (K11) (01/92-02/03)

36-14 533 0003
44060-99B26

Brake shoe kit



Notes

Width [mm]
Diameter [mm]

Rear Axle
27
180
with lever
without spring

References

44060-99B26

Application info

Micra (K11) (01/92-02/03)

36-14 533 0017
44060-9C025

Brake shoe kit



Notes

Width [mm]
Diameter [mm]

Rear Axle
57
254
with lever
without spring

References

44060-0F026
44060-7C326

44060-9C025

Application info

Serena (C23M) (07/92-09/01)
Terrano II (10/92--)

Vanette (C22) (10/86-12/95)
Vanette (C23) (09/94--)

36-14 533 0005
44060-AX625

Brake shoe kit



Notes

Brake System
Width [mm]
Diameter [mm]

Rear Axle
Lockheed
36.5
203.2
with lever
without spring

References

44060-AX625

D4060-AX600

Application info

Micra (K12) (01/03--)
Note (03/06--)

Tida (08/06--)

Brake shoe kit
36-14 533 0009
 44060-CY025

Notes

 Width [mm]
 Diameter [mm]

 Rear Axle
 32
 172
 without spring

References

44060-CY025


Application info

 Cube (Z12) (09/06--)
 Juke (06/10--)

 Qashqai (02/07--)
 X-Trail (T31) (06/07--)

Brake shoe kit
36-14 533 0008
 44060-EB327

Notes

 Width [mm]
 Diameter [mm]

 Rear Axle
 55
 300
 without spring

References

44060-EB327

44071-EB70A


Application info

Navara (D40) (10/04--)

Brake shoe kit
29-14 533 0007
 58305-44A50

Notes

 Width [mm]
 Diameter [mm]

 Rear Axle
 56
 254
 without spring

References

 06902-6260
 06902-6270
 06905-3200
 48330-05000

 58305-44A10
 58305-44A40
 58305-44A50

Application info

Trade (11/86-09/04)

36-14 533 0012

D4060-8M126

Brake shoe kit



Notes

Width [mm]
Diameter [mm]

Rear Axle
36
203
without spring

References

44060-8M126

D4060-8M126

Application info

Almera II (01/00--)

36-14 533 0013

DD060-56G26

Brake shoe kit



Notes

Width [mm]
Diameter [mm]

Rear Axle
50
295
without spring

References

44060-0W725
44060-0W726
44060-0W727
44060-37G25
44060-37G26

44060-37G27
44060-56G26
D4060-0W71A
D4060-0W727
DD060-56G26

Application info

Pathfinder (R50) (09/95-12/04)
Pick Up (D21) (09/85-02/98)

Pick Up (D22) (01/97--)

36-14 533 0011

36160-C9625

Brake shoe set, parking brake



Notes

Width [mm]
Diameter [mm]

Rear Axle
47
203.2
without spring

References

36160-51N25
36160-C9625
D4060-MB40B

D4060-MB40C
D6160-51N25

Application info

Patrol GR II (06/97--)

Brake hose
614 525 0016
 46201-00QAC

Notes

Required quantity	2
Length [mm]	457
Outer Thread [mm]	M10x1
Inner Thread [mm]	M10x1

References

46201-00QAC

Counterpart

614 525 0018


Application info

Interstar (07/02--)

Brake hose
614 525 0018
 46201-00QAD

Notes

Required quantity	2
Length [mm]	468
Outer Thread [mm]	M10x1
Inner Thread [mm]	M10x1

References

46201-00QAD

Counterpart

614 525 0016


Application info

Interstar (07/02--)

Brake hose
614 525 0006
 46201-00QAE

Notes

Required quantity	Rear Axle
Length [mm]	2
Port Type	326
Outer Thread [mm]	Banjo fitting
Inner Thread [mm]	M10x1
	M10x1

References

46201-00QAE


Application info

Interstar (07/02--)

614 525 0008
46201-00QAF

Brake hose



Notes

Length [mm]	385
Outer Thread [mm]	M10x1
Inner Thread [mm]	M10x1

References

46201-00QAF

Application info

Primastar (03/01--)

16-14 525 0009
46201-00QAG

Brake hose



Notes

Length [mm]	335
Outer Thread [mm]	M10x1
Inner Thread [mm]	M10x1

References

46201-00QAG

Application info

Kubistar (08/03--)

614 525 0019
46201-00QAH

Brake hose



Notes

Required quantity	2
Length [mm]	510
Outer Thread [mm]	M10x1
Inner Thread [mm]	M10x1

References

46201-00QAH

Application info

Interstar (07/02--)

Brake hose
36-14 525 0000
 46210-5F002

Notes

Required quantity	Front Axle
Length [mm]	2
Port Type	477
Inner Thread [mm]	Banjo fitting
	M10x1

References

46210-5F001	46210-5F002
-------------	-------------


Application info

Micra (K11) (01/92-02/03)

Brake hose
36-14 525 0001
 46210-5F007

Notes

Required quantity	Front Axle
Length [mm]	2
Port Type	468
Inner Thread [mm]	Banjo fitting
	M10x1

References

46210-5F006	46210-5F007
-------------	-------------


Application info

Micra (K11) (01/92-02/03)

Brake hose
36-14 525 0004
 46210-AX601

Notes

Required quantity	Front Axle
Length [mm]	Right
Port Type	1
Inner Thread [mm]	615
	Banjo fitting
	M10x1

References

46210-9U00A	46210-AX601
-------------	-------------

Counterpart

36-14 525 0005


Application info

Micra (K12) (01/03--)

Note (03/06--)

36-14 525 0005
46210-AX606



Brake hose

Notes

Required quantity	Front Axle
Length [mm]	Left
Port Type	1
Inner Thread [mm]	615
	Banjo fitting
	M10x1

References

46210-9U01A	46210-AX606
-------------	-------------

Counterpart

36-14 525 0004

Application info

Micra (K12) (01/03--)

Note (03/06--)

614 525 0020
46213-00QAA



Brake hose

Notes

Length [mm]	200
Inner Thread 1 [mm]	M10x1
Inner Thread 2 [mm]	M10x1

References

46213-00QAA

Application info

Primastar (03/01--)

614 525 0007
46213-00QAC



Brake hose

Notes

Required quantity	Rear Axle
Length [mm]	2
Outer Thread [mm]	220
Inner Thread [mm]	M10x1
	M10x1

References

46213-00QAC

Application info

Primastar (03/01--)

Brake hose
36-14 525 0003
 46214-5F001

Notes

Required quantity	Rear Axle
Length [mm]	2
Inner Thread 1 [mm]	230
Inner Thread 2 [mm]	M10x1
	M10x1

References

46214-5F000	46214-5F001
-------------	-------------


Application info

Micra (K11) (01/92-02/03)

Brake hose
36-14 525 0006
 46214-AX600

Notes

Required quantity	Rear Axle
Length [mm]	2
Inner Thread 1 [mm]	300
Inner Thread 2 [mm]	M10x1
	M10x1

References

46214-9U00A	46214-AX600
-------------	-------------


Application info

Micra (K12) (01/03--)

Note (03/06--)

Brake hose
35-14 525 0013
Notes

Required quantity	Front Axle
Length [mm]	2
Port Type	547
Inner Thread [mm]	Banjo fitting
	M10x1

Application info

Serena (C23M) (07/92-09/01)

Vanette (C23) (09/94--)

714 531 0003
44100-0X810

Wheel cylinder



Notes

Brake System
Diameter [mm]

Rear Axle
BENDIX
20.64
Grey Cast Iron

References

44100-0X810

Application info

Terrano II (10/92--)

36-14 531 0000
44100-5F600

Wheel cylinder



Notes

Diameter [mm]

Rear Axle
17.78

References

44100-5F600
44100-6F611

44100-99B12

Application info

Micra (K11) (01/92-02/03)

36-14 531 0001
44100-AX600

Wheel cylinder



Notes

Diameter [mm]

Rear Axle
19.05

References

44100-AX600

44100-BH00A

Application info

Micra (K12) (01/03--)

Note (03/06--)

Boot kit, C.V. joint
36-14 495 0012
39241-01A88
Notes

Length [mm]	Wheel Side
Inner Diameter 1 [mm]	107
Inner Diameter 2 [mm]	20
	80
	Elastomer

References

39241-01A01	39241-01A29
39241-01A26	39241-01A88
39241-01A27	39241-01A91
39241-01A28	


Application info

Almera I/Pulsar I (07/95-07/00)

Sunny (B13, N14, Y10) (05/90-03/00)

Boot kit, C.V. joint
714 495 0018
39241-4F126
Notes

Length [mm]	Front Axle
Inner Diameter 1 [mm]	Wheel Side
Inner Diameter 2 [mm]	82
	21
	68
	Elastomer

References

39241-4F125	39241-4F126
-------------	-------------


Application info

Micra (K11) (01/92-02/03)

Boot kit, C.V. joint
36-14 495 0002
39241-4F427
Notes

Length [mm]	Wheel Side
Inner Diameter 1 [mm]	86
Inner Diameter 2 [mm]	21
	78
	Elastomer

References

39241-4F425	39241-4F427
-------------	-------------


Application info

Micra (K11) (01/92-02/03)

36-14 495 0003

39241-73J25

Boot kit, C.V. joint



Notes

Length [mm]
Inner Diameter 1 [mm]
Inner Diameter 2 [mm]

Wheel Side
90
20
80
Elastomer

References

39241-73J25

Application info

Primera (P10, W10) (06/90-03/98)

Primera (P11, WP11) (06/96-07/02)

30-14 495 0001

39241-BM527

Boot kit, C.V. joint



Notes

Length [mm]
Inner Diameter 1 [mm]
Inner Diameter 2 [mm]

Wheel Side
Front Axle
116
22
77
Thermoplast

References

39241-BM525
39241-BM526

39241-BM527

Application info

Almera II (01/00--)

Micra (K12) (01/03--)

614 160 0018

39241-BU186

Boot kit, C.V. joint



Notes

Length [mm]
Inner Diameter 1 [mm]
Inner Diameter 2 [mm]

Front Axle
Wheel Side
125
27
89
Thermoplast

References

39241-BU186

Application info

Almera Tino (08/00--)

Boot kit, C.V. joint
36-14 495 0009
 39741-2F026

Notes

Length [mm]	86
Inner Diameter 1 [mm]	21
Inner Diameter 2 [mm]	73
	Elastomer

References

39741-2F026	39741-4F425
39741-4F126	


Application info

Micra (K11) (01/92-02/03)

Primera (P11, WP11) (06/96-07/02)

Boot kit, C.V. joint
36-14 495 0011
 39741-4F125

Notes

Length [mm]	93
Inner Diameter 1 [mm]	21.5
Inner Diameter 2 [mm]	72
	Elastomer

References

39741-4F125


Application info

Micra (K11) (01/92-02/03)

Boot kit, C.V. joint
40-14 495 0004
 39741-4F127

Notes

	Transmission End
	Front Axle
Length [mm]	172
Inner Diameter 1 [mm]	20
Inner Diameter 2 [mm]	70
	Elastomer

References

39741-4F127


Application info

Micra (K11) (01/92-02/03)

36-14 498 0021

39100-50Y10

C.V. joint kit



Notes

External Teeth, wheel side	25
Internal Teeth, wheel side	22
Length [mm]	162
Seal Diameter [mm]	55
Number of Teeth, ABS ring	42
	CV Joint

References

39100-50Y10	39101-50Y11
39100-51Y10	39101-51Y10
39100-52Y10	39101-52Y10
39100-53Y10	39101-53Y10
39101-50Y10	

Application info

Almera I/Pulsar I (07/95-07/00)

Sunny (B13, N14, Y10) (05/90-03/00)

36-14 498 0018

39101-41F400

C.V. joint kit



Notes

External Teeth, wheel side	23
Internal Teeth, wheel side	19
Length [mm]	146.9
Seal Diameter [mm]	48
	without ABS ring
	CV Joint

References

39100-41B00	39101-41B05
39100-41B05	39101-41F100
39100-41F100	39101-41F400
39100-41F400	39101-45B00
39100-45B00	39101-4F100
39100-4F100	39211-4F125
39101-41B00	

Application info

Micra (K11) (01/92-02/03)

C.V. joint kit

36-14 498 0024
 39101-50Y01

Notes

External Teeth, wheel side	Wheel Side
Internal Teeth, wheel side	25
Length [mm]	22
Seal Diameter [mm]	164
	55
	without ABS ring
	CV Joint

References

39101-50Y01



Application info

Almera I/Pulsar I (07/95-07/00)

Sunny (B13, N14, Y10) (05/90-03/00)

C.V. joint kit

36-14 498 0015
 39101-73N01

Notes

External Teeth, wheel side	Wheel Side
Internal Teeth, wheel side	27
Length [mm]	25
Seal Diameter [mm]	169
	56
	without ABS ring
	CV Joint

References

39100-73N00	39101-73N01
39101-73N00	39211-99999



Application info

Primera (P10, W10) (06/90-03/98)

C.V. joint kit

36-14 498 0029
 39211-2F025

Notes

External Teeth, wheel side	Wheel Side
Internal Teeth, wheel side	27
Length [mm]	22
Seal Diameter [mm]	165
	56
	with ABS ring
Number of Teeth, ABS ring	44
	CV Joint

References

39100-2F010	39211-2F025
39101-2F011	



36-14 498 0029

39211-2F025

C.V. joint kit

Application info

Primera (P11, WP11) (06/96-07/02)

36-14 498 0020

39211-2F225

C.V. joint kit



Notes

External Teeth, wheel side
Internal Teeth, wheel side
Length [mm]
Seal Diameter [mm]
Number of Teeth, ABS ring

Wheel Side
27
32
171.5
56
with ABS ring
44
CV Joint

References

39211-2F225

Application info

Primera (P11, WP11) (06/96-07/02)

36-14 498 0031

39211-4F126

C.V. joint kit



Notes

External Teeth, wheel side
Internal Teeth, wheel side
Length [mm]
Seal Diameter [mm]
Number of Teeth, ABS ring

Wheel Side
23
19
146.5
48
with ABS ring
42
CV Joint

References

39211-4F126

Application info

Micra (K11) (01/92-02/03)

C.V. joint kit

36-14 498 0028
39211-4F425

Notes

External Teeth, wheel side	Wheel Side
Internal Teeth, wheel side	23
Length [mm]	22
Seal Diameter [mm]	149.5
	48
	without ABS ring
	CV Joint

References

39100-4F400	39211-4F425
39101-4F400	



Application info

Micra (K11) (01/92-02/03)

C.V. joint kit

36-14 498 0017
39211-4F426

Notes

External Teeth, wheel side	Wheel Side
Internal Teeth, wheel side	23
Length [mm]	22
Seal Diameter [mm]	149.5
	48
	with ABS ring
Number of Teeth, ABS ring	42
	CV Joint

References

39100-44B00	39101-44B02
39100-44B02	39101-44B10
39100-44B10	39101-44B12
39100-44B12	39211-4F426
39101-44B00	



Application info

Micra (K11) (01/92-02/03)

3

36-14 498 0011

39211-60Y00

C.V. joint kit



Notes

External Teeth, wheel side	25
Internal Teeth, wheel side	23
Length [mm]	169
Outer Diameter [mm]	90
Seal Diameter [mm]	55
	without ABS ring
	CV Joint

References

39100-0M301	39101-0M900
39100-0M900	39101-0M905
39100-0M905	39101-60Y00
39100-60Y00	39101-60Y05
39100-60Y05	39101-61Y07
39100-61Y06	39101-62Y05
39100-62Y05	39101-63Y00
39100-63Y00	39101-63Y01
39100-63Y01	39211-60Y00
39101-0M301	

Application info

Almera I/Pulsar I (07/95-07/00)

Sunny (B13, N14, Y10) (05/90-03/00)

36-14 498 0012

39211-60Y10

C.V. joint kit



Notes

External Teeth, wheel side	25
Internal Teeth, wheel side	23
Length [mm]	169
Seal Diameter [mm]	55
Number of Teeth, ABS ring	42
	with ABS ring
	CV Joint

References

39100-60Y10	39101-60Y15
39100-60Y15	39101-61Y17
39100-61Y16	39101-62Y00
39100-62Y00	39101-62Y10
39100-62Y10	39101-62Y15
39100-62Y15	39101-62Y16
39100-63Y10	39101-63Y11
39100-63Y11	39101-63Y15
39101-60Y10	39211-60Y10

Application info

Almera I/Pulsar I (07/95-07/00)

Sunny (B13, N14, Y10) (05/90-03/00)

3

C.V. joint kit

36-14 498 0008
 39211-71J25

Notes

External Teeth, wheel side	Wheel Side
Internal Teeth, wheel side	27
Length [mm]	32
Seal Diameter [mm]	172
	56
	without ABS ring
	CV Joint

References

39100-71J00	39211-71J25
39101-70J00	39211-71J27



Application info

Bluebird D (T72, T12) (12/85-11/92)

Primera (P10, W10) (06/90-03/98)

C.V. joint kit

36-14 498 0019
 39211-72J25

Notes

External Teeth, wheel side	Wheel Side
Internal Teeth, wheel side	27
Length [mm]	22
Seal Diameter [mm]	164.9
	56
	with ABS ring
Number of Teeth, ABS ring	42
	CV Joint

References

39100-72J10	39211-72J25
39100-73J20	39211-73J27
39101-73J20	



Application info

Primera (P10, W10) (06/90-03/98)

C.V. joint kit

36-14 498 0006
 39211-73J25

Notes

External Teeth, wheel side	Wheel Side
Internal Teeth, wheel side	27
Length [mm]	22
Seal Diameter [mm]	164.9
	56
	without ABS ring
	CV Joint

References

39100-72J20	39211-73J25
39100-73J00	39211-73J26
39101-73J00	



36-14 498 0006

39211-73J25

C.V. joint kit

Application info

Primera (P10, W10) (06/90-03/98)

36-14 498 0035

39211-7F000

C.V. joint kit



Notes

External Teeth, wheel side
 Internal Teeth, wheel side
 Length [mm]
 Seal Diameter [mm]

Wheel Side
 27
 32
 218.5
 50
 without ABS ring
 CV Joint

References

39211-7F000

Application info

Terrano II (10/92--)

36-14 498 0026

39211-AU325

C.V. joint kit



Notes

External Teeth, wheel side
 Internal Teeth, wheel side
 Length [mm]
 Seal Diameter [mm]

Wheel Side
 27
 23
 165
 56
 with ABS ring
 44
 CV Joint

Number of Teeth, ABS ring

References

39211-9F626

39211-AU325

Application info

Primera (P12, WP12) (01/02--)

C.V. joint kit

36-14 498 0027
 39211-AV625

Notes

External Teeth, wheel side	Wheel Side
Internal Teeth, wheel side	27
Length [mm]	26
Seal Diameter [mm]	172
Number of Teeth, ABS ring	56
	with ABS ring
	44
	CV Joint

References

39211-AV625



Application info

Almera Tino (08/00--)

Primera (P12, WP12) (01/02--)

C.V. joint kit

36-14 498 0036
 39211-AY125

Notes

External Teeth, wheel side	Wheel Side
Internal Teeth, wheel side	23
Length [mm]	21
Seal Diameter [mm]	139.5
	49
	without ABS ring
	CV Joint

References

39211-AY125



Application info

Micra (K12) (01/03--)

C.V. joint kit

36-14 498 0034
 39211-AY625

Notes

External Teeth, wheel side	Wheel Side
Internal Teeth, wheel side	23
Length [mm]	22
Seal Diameter [mm]	139.5
	49
	without ABS ring
	CV Joint

References

39211-AY625



Application info

Micra (K12) (01/03--)

36-14 498 0033

39211-BM526

C.V. joint kit



Notes

External Teeth, wheel side	25
Internal Teeth, wheel side	22
Length [mm]	159
Seal Diameter [mm]	55
Number of Teeth, ABS ring	42
	CV Joint

References

39211-BM526

Application info

Almera II (01/00-)

36-14 498 0032

39211-BM726

C.V. joint kit



Notes

External Teeth, wheel side	25
Internal Teeth, wheel side	23
Length [mm]	160
Seal Diameter [mm]	55
Number of Teeth, ABS ring	42
	CV Joint

References

39211-BM726

Application info

Almera II (01/00-)

16-14 498 0029

C.V. joint kit



Notes

External Teeth, wheel side	23
Internal Teeth, wheel side	30
Length [mm]	145
Seal Diameter [mm]	57.5
Number of Teeth, ABS ring	44
	CV Joint

C.V. joint kit
16-14 498 0029

Application info

Kubistar (08/03--)

C.V. joint kit
16-14 498 0032
Notes

External Teeth, wheel side	Wheel Side
Internal Teeth, wheel side	21
Length [mm]	30
Seal Diameter [mm]	144.5
	52.2
	with ABS ring
Number of Teeth, ABS ring	26
	CV Joint


Application info

Kubistar (08/03--)

C.V. joint kit
614 498 0018
Notes

External Teeth, wheel side	Wheel Side
Internal Teeth, wheel side	28
Length [mm]	36
Seal Diameter [mm]	167
	64.5
	with ABS ring
Number of Teeth, ABS ring	51
	CV Joint


Application info

Interstar (07/02--)

614 498 0029

C.V. joint kit



Notes

External Teeth, wheel side
Internal Teeth, wheel side
Length [mm]
Seal Diameter [mm]

Wheel Side
27
26
157.5
56.5
without ABS ring
CV Joint

Application info

Primastar (03/01--)

3

Crank position sensor

16-14 899 0005
 01436-00QAB

Notes

Resistance [Ohm]	250
Number of Poles	2
Operating Voltage	12
Fitting Depth [mm]	24
	Inductive Sensor

References

01436-00QAB	23750-00Q0H
-------------	-------------



Application info

Kubistar (08/03--)

Glow plug

16-14 860 0006
 11065-00Q0A

Notes

Voltage [V]	11
Port Type	Ø 4 mm
Fitting Depth [mm]	25
Cone Pitch	63
Overall Length [mm]	151
Thread Size	M10 x 1
Diameter [mm]	5.1
Spanner Size	10
	Pencil-type Glow Plug
	after-glow capable
Rated current [A]	15

References

11065-00Q0A	11065-00QAE
-------------	-------------



Application info

Interstar (07/02--)

Primastar (03/01--)

16-14 860 0009

11065-00Q0E

Glow plug



Notes

Voltage [V]	4.4
Port Type	Ø 4 mm
Fitting Depth [mm]	24.5
Cone Pitch	63
Overall Length [mm]	96.5
Thread Size	M10 x 1
Diameter [mm]	4
Spanner Size	10
Rated current [A]	Pencil-type Glow Plug after-glow capable Euro 5 25

References

11065-00Q0E

Application info

Juke (06/10--)
Note (03/06--)

Qashqai (02/07--)

36-14 860 0004

11065-0W801

Glow plug



Notes

Voltage [V]	11
Port Type	M4
Fitting Depth [mm]	15.9
Cone Pitch	119
Overall Length [mm]	81
Thread Size	M10 x 1,25
Diameter [mm]	3.6
Spanner Size	12
Rated current [A]	Pencil-type Glow Plug after-glow capable 18

References

11065-0W801 11065-65N0A
11065-65N01 11065-7F400

Application info

Pick Up (D22) (01/97--)

Terrano II (10/92--)

Glow plug
36-14 860 0002
 11065-57J9A

Notes

Voltage [V]	11
Port Type	M4
Fitting Depth [mm]	18.5
Cone Pitch	119
Overall Length [mm]	94.5
Thread Size	M10 x 1,25
Diameter [mm]	5.1
Spanner Size	12
Rated current [A]	Pencil-type Glow Plug after-glow capable 10

References

11065-57J00	11065-5C900
11065-57J9A	


Application info

 Almera I/Pulsar I (07/95-07/00)
 Primera (P10, W10) (06/90-03/98)

 Primera (P11, WP11) (06/96-07/02)
 Sunny (B13, N14, Y10) (05/90-03/00)

Glow plug
32-14 860 0002
 11065-63G00

Notes

Voltage [V]	11
Port Type	M4
Fitting Depth [mm]	22
Cone Pitch	12
Overall Length [mm]	90
Thread Size	M10 x 1,25
Diameter [mm]	5.1
Spanner Size	12
Rated current [A]	Pencil-type Glow Plug 11.5

References

11065-43G01	11065-63G00
-------------	-------------


Application info

Pick Up (D21) (09/85-02/98)

Urvan (E24) (06/86-05/97)

11-14 860 0000
11065-6F900

Glow plug



Notes

Voltage [V]	11
Port Type	M4
Fitting Depth [mm]	30
Cone Pitch	63
Overall Length [mm]	89
Thread Size	M10 x 1
Diameter [mm]	5
Spanner Size	10
	Pencil-type Glow Plug after-glow capable
Rated current [A]	15

References

11065-6F900

Application info

Micra (K11) (01/92-02/03)

714 860 0004

11065-9C600

Glow plug



Notes

Voltage [V]	11
Port Type	M4
Fitting Depth [mm]	20
Cone Pitch	119
Overall Length [mm]	83
Thread Size	M10 x 1,25
Diameter [mm]	5
Spanner Size	12
	Pencil-type Glow Plug after-glow capable
Rated current [A]	10

References

11065-31N00 11065-G2400
11065-9C600

Application info

Serena (C23M) (07/92-09/01)
Terrano I (07/86-02/96)

Vanette (C23) (09/94--)

Glow plug
36-14 860 0003
 11065-AD20A

Notes

Voltage [V]	11
Port Type	M4
Fitting Depth [mm]	21
Cone Pitch	123
Overall Length [mm]	179
Thread Size	M10 x 1
Diameter [mm]	4.1
Spanner Size	12
	Pencil-type Glow Plug after-glow capable
Rated current [A]	10

References

11065-AD200	11065-AD20A
11065-AD201	


Application info

Almera II (01/00--)
 Almera Tino (08/00--)
 Navara (D40) (10/04--)
 NP300 (04/08--)

Pathfinder (R51) (01/05--)
 Pick Up (D22) (01/97--)
 Primera (P12, WP12) (01/02--)
 X-Trail (T30) (06/01--)

Glow plug
16-14 860 0010
 11065-BN701

Notes

Voltage [V]	11
Port Type	Ø 4 mm
Fitting Depth [mm]	25
Cone Pitch	63
Overall Length [mm]	88
Thread Size	M10 x 1
Diameter [mm]	5
Spanner Size	10
	Pencil-type Glow Plug after-glow capable
Rated current [A]	15

References

11065-00Q00	11065-00QAG
11065-00QAA	11065-BN701
11065-00QAF	

Application info

Almera II (01/00--)
 Interstar (07/02--)
 Kubistar (08/03--)
 Micra (K12) (01/03--)
 Note (03/06--)

NV200 (02/10--)
 Primastar (03/01--)
 Primera (P12, WP12) (01/02--)
 Qashqai (02/07--)
 Tida (08/06--)

36-14 860 0001
11065-T8202

Glow plug



Notes

Voltage [V]	10.5
Port Type	M4
Fitting Depth [mm]	20
Cone Pitch	119
Overall Length [mm]	68
Thread Size	M10 x 1,25
Diameter [mm]	5
Spanner Size	12
Rated current [A]	Pencil-type Glow Plug 10

References

11065-T8200	11065-T8202
-------------	-------------

Application info

Cabstar (01/82-09/93)
Pick Up (720) (01/80-03/86)

Urvan (E23) (07/80-11/98)

16-14 860 0003
11065-V0710

Glow plug



Notes

Voltage [V]	11
Port Type	M5
Fitting Depth [mm]	21
Cone Pitch	63
Overall Length [mm]	62
Thread Size	M12 x 1,25
Diameter [mm]	6.1
Spanner Size	12
Rated current [A]	Pencil-type Glow Plug after-glow capable 16

References

11065-V0700	11065-V0710
-------------	-------------

Application info

Bluebird (910) (01/80-06/86)

Ignition coil

36-14 885 0001
 22433-53J20

Notes

Required quantity	for vehicles with distributor
Number of Poles	1
Operating Voltage	2
	12
	Coupling Type DIN
	Oval

References

22433-0B000	22433-56E11
22433-0B001	22433-56E12
22433-0B010	22448-0C801
22433-51J10	22448-0C802
22433-53J20	22448-D4000
22433-55S10	



Application info

100 NX (03/90-01/96)	Primera (P11, WP11) (06/96-07/02)
Almera I/Pulsar I (07/95-07/00)	Serena (C23M) (07/92-09/01)
Micra (K10) (12/82-11/92)	Sunny (B13, N14, Y10) (05/90-03/00)
Prairie Pro (M11) (10/88-07/94)	Terrano II (10/92--)
Primera (P10, W10) (06/90-03/98)	Vanette (C23) (09/94--)

Ignition coil

16-14 885 0001
 22448-00QAC

Notes

Required quantity	1
Number of Poles	4
Operating Voltage	12
	Coupling Type Saw Tooth
Resistance [kOhm]	9
	for fully electronic ignition (FI)
	Oval

References

22448-00QAC



Application info

Kubistar (08/03--)

16-14 885 0002
22448-00QAH

Ignition coil



Notes

Required quantity
Number of Poles
Operating Voltage

for vehicles without distributor
4
2
12
Coupling Type SAE
incl. spark plug connector
for fully electronic ignition (FI)

References

22448-00Q0A
22448-00Q0B
22448-00QAA
22448-00QAB

22448-00QAE
22448-00QAH
22448-6N011

Application info

Kubistar (08/03--)

Primastar (03/01--)

36-14 885 0003
22448-31U11

Ignition coil



Notes

Required quantity
Number of Poles
Operating Voltage
only in connection with
for cylinder

Right
3
3
12
36-14 885 0004
incl. spark plug connector
DX-Right

References

22448-31U01

22448-31U11

Counterpart

36-14 885 0004

Application info

Maxima (A32) (03/94--)

Maxima (A33) (04/99-11/03)

36-14 885 0004
22448-31U16

Ignition coil



Notes

Required quantity
Number of Poles
Operating Voltage
only in connection with
for cylinder

Left
3
3
12
36-14 885 0003
incl. spark plug connector
SX-Left

References

22448-31U06

22448-31U16

Counterpart

36-14 885 0003

Ignition coil
36-14 885 0004
 22448-31U16

Application info

 Maxima (A32) (03/94--)
 Maxima (A33) (04/99-11/03)

Ignition coil
36-14 885 0000
 22448-4M50A

Notes

Required quantity	4
Number of Poles	3
Operating Voltage	12
	Coupling Type SAE
	incl. spark plug connector

References

22448-4M500	22448-4M50A
-------------	-------------


Application info

 Almera II (01/00--)
 Almera Tino (08/00--)
 Primera (P11, WP11) (06/96-07/02)

Ignition coil
36-14 885 0005
 22448-6N015

Notes

Required quantity	4
Number of Poles	3
Operating Voltage	12
	incl. spark plug connector

References

22448-6N000	22448-6N012
22448-6N002	22448-6N015
22448-6N010	


Application info

 Almera II (01/00--)
 Almera Tino (08/00--)
 Primera (P11, WP11) (06/96-07/02)
 Primera (P12, WP12) (01/02--)

100 900 0000
22690-73C00

Lambda probe



Notes

Cable Length [mm] 890
Unheated
Regulating Probe

References

22690-17B00 22690-73C00

Application info

100 NX (03/90-01/96)
Bluebird (U11, WU11) (11/83-09/90)
Bluebird D (T72, T12) (12/85-11/92)
Micra (K10) (12/82-11/92)
Pick Up (D21) (09/85-02/98)

Prairie Pro (M11) (10/88-07/94)
Primera (P10, W10) (06/90-03/98)
Sunny (B12, N13) (01/86-10/91)
Sunny (B13, N14, Y10) (05/90-03/00)

16-14 899 0011
22630-00Q2H

Sender unit, coolant temperature



Notes

Number of Poles 4
Black

References

22630-00Q2H 22630-00QAF
22630-00QAD 22630-BN702

Application info

Interstar (07/02--)
Kubistar (08/03--)
Micra (K12) (01/03--)
Note (03/06--)

Primastar (03/01--)
Primera (P12, WP12) (01/02--)
Qashqai (02/07--)
Tida (08/06--)

214 800 0002
22731-1F710

Sensor, camshaft position



Notes

without cable
Number of Poles 3
Operating Voltage 12
Fitting Depth [mm] 24
Hall Sensor
Black

References

22731-1F710

Sensor, camshaft position
214 800 0002
 22731-1F710

Application info

Micra (K11) (01/92-02/03)

Relay, hazard lights
100 953 0012
 25730-16B00

Notes

	for vehicles without towbar
Number of Poles	3
Length [mm]	30
Port Type	3x 6,3 mm
Operating Voltage	12
Width [mm]	30
Height [mm]	30
Rated Power [W]	2x21
Rated Power [W]	5
	Lock

References

25730-16B00


Application info

Micra (K10) (12/82-11/92)

39-28 228 0000
21200-05B00

Thermostat

Notes

Opening Temperature [°C] 88
without gasket / seal

References

21200-05B00

Application info

Micra (K10) (12/82-11/92)

36-28 228 0006
21200-16A00

Thermostat

Notes

Opening Temperature [°C] 82
with seal

References

21200-16A00 21200-Y9701
21200-G2401

Application info

Bluebird (910) (01/80-06/86)
Bluebird (U11, WU11) (11/83-09/90)
Bluebird D (T72, T12) (12/85-11/92)
Cherry (N12) (04/82-10/87)
Laurel (C31) (01/81-12/85)
Laurel (C32) (11/84-06/90)
Pathfinder (R50) (09/95-12/04)
Patrol (160) (11/79-02/89)
Patrol (260) (10/84-04/98)
Pick Up (720) (01/80-03/86)
Pick Up (D21) (09/85-02/98)

Pick Up (D22) (01/97--)
Serena (C23M) (07/92-09/01)
Sunny (B11) (03/82-08/90)
Sunny (B12, N13) (01/86-10/91)
Sunny (B13, N14, Y10) (05/90-03/00)
Terrano I (07/86-02/96)
Terrano II (10/92--)
Urvan (E23) (07/80-11/98)
Urvan (E24) (06/86-05/97)
Vanette (C22) (10/86-12/95)
Vanette (C23) (09/94--)

5

Thermostat
30-28 228 0001
 21200-4M500

Notes

 Opening Temperature [°C] 85
 with seal

References

 21200-4M500 21200-9F600
 21200-77A65 21208-96002
 21200-93J10 25500-02500

Application info

 100 NX (03/90-01/96)
 Almera I/Pulsar I (07/95-07/00)
 Almera II (01/00--)
 Almera Tino (08/00--)
 Primera (P10, W10) (06/90-03/98)
 Primera (P11, WP11) (06/96-07/02)

 Primera (P12, WP12) (01/02--)
 Serena (C23M) (07/92-09/01)
 Sunny (B12, N13) (01/86-10/91)
 Sunny (B13, N14, Y10) (05/90-03/00)
 Vanette (C23) (09/94--)
Thermostat
36-28 228 0003
 21200-4W010

Notes

 Opening Temperature [°C] 76.5
 Metal Housing

References

21200-4W010


Application info

 350 Z (09/02--)
 370 Z (01/09--)
 Murano (Z50) (08/03--)
 Murano (Z51) (11/07--)
 Pathfinder (R50) (09/95-12/04)
 Pathfinder (R51) (01/05--)
Thermostat
028 282 0004
 21200-57J00

Notes

 Opening Temperature [°C] 82
 with seal

References

21200-57J00



028 282 0004
21200-57J00

Thermostat

Application info

Almera I/Pulsar I (07/95-07/00)

36-28 228 0001
21200-57J15

Thermostat

Notes

Opening Temperature [°C] 88

References

21200-2W201	21200-57J05
21200-2W202	21200-57J15

Application info

Almera I/Pulsar I (07/95-07/00)
Patrol GR II (06/97--)
Primera (P10, W10) (06/90-03/98)

Primera (P11, WP11) (06/96-07/02)
Sunny (B13, N14, Y10) (05/90-03/00)

36-28 228 0004
21200-6N210

Thermostat



Notes

Opening Temperature [°C] 82
with seal

References

21200-47R00	21200-6N210
21200-60J11	21200-9F500

Application info

Almera I/Pulsar I (07/95-07/00)
Almera Tino (08/00--)
Primera (P11, WP11) (06/96-07/02)
Primera (P12, WP12) (01/02--)

Qashqai (02/07--)
X-Trail (T30) (06/01--)
X-Trail (T31) (06/07--)

Thermostat

36-28 228 0000
 21200-90J10

Notes

 Opening Temperature [°C] 76.5
 with seal

References

21200-77A00	21200-86J00
21200-77A05	21200-86J01
21200-77A60	21200-90J00
21200-77A66	21200-90J10



Application info

 100 NX (03/90-01/96)
 Primera (P10, W10) (06/90-03/98)
 Serena (C23M) (07/92-09/01)

 Sunny (B12, N13) (01/86-10/91)
 Sunny (B13, N14, Y10) (05/90-03/00)
 Vanette (C23) (09/94--)

Thermostat

36-28 228 0002
 21200-93J11

Notes

 Opening Temperature [°C] 76.5
 with seal

References

21200-0C811	21200-60J00
21200-40F00	21200-89J00
21200-50K00	21200-93J00
21200-53J00	21200-93J11



Application info

 100 NX (03/90-01/96)
 Primera (P10, W10) (06/90-03/98)
 Primera (P11, WP11) (06/96-07/02)

 Serena (C23M) (07/92-09/01)
 Sunny (B13, N14, Y10) (05/90-03/00)
 Terrano II (10/92--)

Water pump

16-13 220 0020
 21010-00Q0C

Notes

with seal

References

21010-00Q0C



5

+

16-13 220 0020
21010-00Q0C

Water pump

Application info

Primastar (03/01--)
Qashqai (02/07--)

X-Trail (T31) (06/07--)

16-13 220 0015
21010-00Q0E

Water pump



Notes

Impeller Diameter [mm]

with seal
74
for toothed belt drive

References

21010-00Q0E

Application info

Kubistar (08/03--)
Note (03/06--)

Qashqai (02/07--)

16-13 220 0026
21010-00Q0K

Water pump



Notes

Reinforced Version

with seal
for toothed belt drive



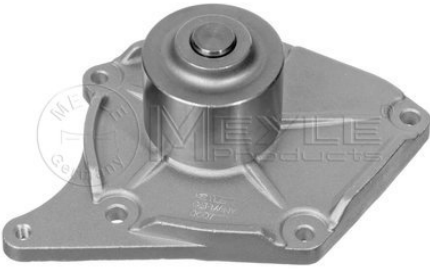
References

21010-00Q0K

Application info

Interstar (07/02--)

Primastar (03/01--)

Water pump		16-13 220 0004 21010-00QAC
Notes with seal for toothed belt drive References 21010-00QAC		
Application info Interstar (07/02--) Primastar (03/01--) Water pump		613 600 0003 21010-00QAD
Notes with seal References 21010-00QAD		
Application info Interstar (07/02--) Primastar (03/01--) Water pump		16-13 220 0003 21010-00QAS
Notes Impeller Diameter [mm] with seal 70 for toothed belt drive References 21010-00QAS 21010-BN700		
Application info Almera II (01/00--) Kubistar (08/03--) Micra (K12) (01/03--) Qashqai (02/07--) Water pump		

36-13 210 0001
21010-19BY5

Water pump



Notes

Number of Teeth 23
with seal
for toothed belt drive

References

21010-19B25 21010-24B25
21010-19BY5

Application info

Micra (K10) (12/82-11/92)

Micra (K11) (01/92-02/03)

36-13 210 0007
21010-31U85

Water pump



Notes

with seal
for timing chain drive

References

21010-31U25 21010-31U29
21010-31U27 21010-31U85
21010-31U28

Application info

Maxima (A32) (03/94-)
Maxima (A33) (04/99-11/03)

Pathfinder (R50) (09/95-12/04)

613 220 0008
21010-4A00F

Water pump



Notes

with seal

References

21010-4A00F

Application info

Pixo (03/09-)

Water pump

36-13 220 0000
 21010-53J05

Notes

with seal

References

21010-53J01	21010-53J05
21010-53J03	21010-70J00
21010-53J04	21010-9F501



Application info

100 NX (03/90-01/96)
 Almera I/Pulsar I (07/95-07/00)
 Almera Tino (08/00--)
 Primera (P10, W10) (06/90-03/98)

Primera (P11, WP11) (06/96-07/02)
 Serena (C23M) (07/92-09/01)
 Sunny (B13, N14, Y10) (05/90-03/00)
 Urvan (E24) (06/86-05/97)

Water pump

36-13 220 0002
 21010-57J28

Notes

with seal

References

21010-57J00	21010-57J25
21010-57J01	21010-57J26
21010-57J02	21010-57J27
21010-57J03	21010-57J28



Application info

Almera I/Pulsar I (07/95-07/00)
 Primera (P10, W10) (06/90-03/98)

Primera (P11, WP11) (06/96-07/02)
 Sunny (B13, N14, Y10) (05/90-03/00)

Water pump

11-13 012 0158
 21010-6F907

Notes

Number of Teeth 20
 with seal
 for toothed belt drive

References

21010-6F900	21010-6F907
-------------	-------------



11-13 012 0158
21010-6F907

Water pump

Application info

Micra (K11) (01/92-02/03)

36-13 220 0014
21010-6N226

Water pump



Notes

with seal
for v-ribbed belt use

References

21010-6N225

21010-6N226

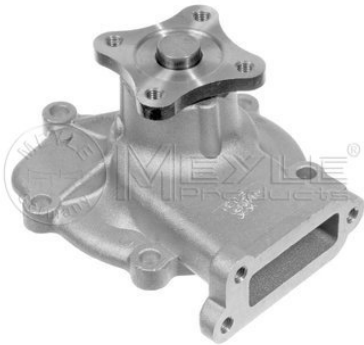
Application info

Primera (P12, WP12) (01/02--)
X-Trail (T30) (06/01--)

X-Trail (T31) (06/07--)

36-13 210 0011
21010-71J00

Water pump



Notes

with seal

References

21010-0M300

21010-0M301

21010-53Y00

21010-53Y01

21010-71J00

21010-74Y00

21010-88R10

Application info

100 NX (03/90-01/96)
Almera I/Pulsar I (07/95-07/00)
Avenir (W11) (11/97--)
Bluebird Sylphy (G10) (08/00-08/05)
Primera (P10, W10) (06/90-03/98)
Primera (P11, WP11) (06/96-07/02)

Primera (P12, WP12) (01/02--)
Serena (C23M) (07/92-09/01)
Sunny (B12, N13) (01/86-10/91)
Sunny (B13, N14, Y10) (05/90-03/00)
Vanette (C23) (09/94--)

Water pump
36-13 220 0011
 21010-7Y026

Notes

 Number of Teeth 31
 with seal
 for timing chain drive

References

 21010-7Y025 21010-AL527
 21010-7Y026 21010-AL528

Application info

 350 Z (09/02--)
 Murano (Z50) (08/03--)

 Murano (Z51) (11/07--)
 Pathfinder (R51) (01/05--)

Water pump
36-13 220 0010
 21010-80G28

Notes

 with seal
 for v-belt use

References

 21010-0F002 21010-80G27
 21010-0F003 21010-80G28
 21010-7F400 21010-80G85
 21010-80G25 21010-80G89
 21010-80G26 21010-G2404

Application info

Terrano I (07/86-02/96)

Terrano II (10/92--)

Water pump
36-13 220 0001
 21010-81T26

Notes

with seal

References

 21010-22J00 21010-V7225
 21010-22J25 21010-V7226
 21010-22J26 21010-V7228
 21010-28J25 21010-V7229
 21010-28J26 21010-V7285
 21010-81T00 21010-V7286
 21010-81T25 BA010-22J25
 21010-81T26


36-13 220 0001
21010-81T26

Water pump

Application info

Laurel (C32) (11/84-06/90)
Patrol (260) (10/84-04/98)

Patrol GR I (08/87-02/98)
Patrol GR II (06/97--)

36-13 220 0004
21010-99B00

Water pump



Notes

with seal

References

21010-41B00
21010-41B01
21010-41B02

21010-41B03
21010-99B00

Application info

Micra (K11) (01/92-02/03)

36-13 220 0003
21010-9C600

Water pump



Notes

with seal

References


21010-9C600

Application info

Serena (C23M) (07/92-09/01)


Vanette (C23) (09/94--)

Water pump 36-13 220 0005 21010-9F605

<p>Notes</p> <p style="text-align: right;">with seal</p> <p>References</p> <p>21010-9F600 21010-9F605</p>	
--	--

<p>Application info</p> <p>Almera II (01/00--) Almera Tino (08/00--)</p>	<p>Primera (P11, WP11) (06/96-07/02) Primera (P12, WP12) (01/02--)</p>
---	--

Water pump 36-13 220 0007 21010-AD226

<p>Notes</p> <p style="text-align: right;">with seal</p> <p>References</p> <p>21010-AD200 21010-AD226 21010-AD225 B1010-AD226</p>	
---	---

<p>Application info</p> <p>Almera II (01/00--) Almera Tino (08/00--)</p>	<p>Primera (P12, WP12) (01/02--) X-Trail (T30) (06/01--)</p>
---	--

Water pump 16-13 220 0011 21010-AW300

<p>Notes</p> <p style="text-align: right;">with seal for toothed belt drive</p> <p>References</p> <p>21010-AW300</p>	
--	--

<p>Application info</p> <p>Primera (P12, WP12) (01/02--)</p>	
---	--

36-13 220 0012
21010-BX000

Water pump



Notes

without gasket / seal

References

21010-BX000

Application info

Micra (K12) (01/03--)

Note (03/06--)

36-13 220 0016
21010-EB30A

Water pump

Notes

with seal

References

21010-EB300
21010-EB30A

21010-VK525

Application info

Navara (D40) (10/04--)

Pathfinder (R51) (01/05--)

36-13 220 0013
21010-EE025

Water pump



Notes

with seal

References

21010-EE025

Application info

Micra (K12) (01/03--)
Note (03/06--)

Qashqai (02/07--)
Tida (08/06--)

Water pump

16-13 220 0025
B1010-EN20B

Notes

 with seal
 for v-ribbed belt use

References

B1010-1GZ0A

B1010-EN20B



Application info

Qashqai (02/07--)

X-Trail (T31) (06/07--)

Air filter

612 321 0017
16546-00Q1L

Notes

 Length [mm]
 Width [mm]
 Height [mm]

 Filter Insert
 209
 202
 72.3

References

16546-00Q1L



Application info

NV400 (11/11--)

Air filter

612 083 4004
16546-00QAC

Notes

 Length [mm]
 Width [mm]
 Height [mm]

 Filter Insert
 316
 262
 41

References

16546-00QAC



Application info

Interstar (07/02--)

612 083 4006
16546-00QAE

Air filter



Notes

Length [mm]	Filter Insert
Width [mm]	312
Height [mm]	102
	42.3

References

16546-00QAE	16546-00QAP
-------------	-------------

Application info

Primastar (03/01--)

16-12 321 0012
16546-00QAL

Air filter



Notes

Length [mm]	Filter Insert
Width [mm]	186
Height [mm]	78
	58

References

16546-00QAL

Application info

Kubistar (08/03--)

612 321 0016
16546-00QAM

Air filter



Notes

Length [mm]	Filter Insert
Width [mm]	360
Height [mm]	264
	57

References

16546-00Q0G	16546-00QAM
-------------	-------------

Application info

Interstar (07/02--)

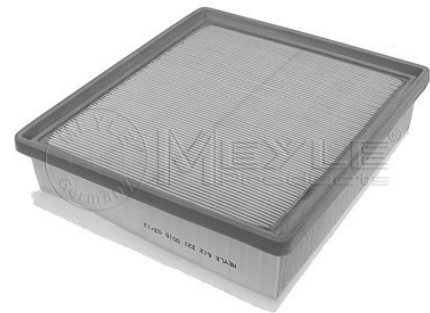
Air filter
612 321 0015
 16546-00QAT

Notes

	Filter Insert
Length [mm]	285
Width [mm]	249
Height [mm]	73

References

16546-00QAD	16546-00QAT
-------------	-------------


Application info

Interstar (07/02--)

Air filter
16-12 321 0004
 16546-00QAU

Notes

	Filter Insert
Length [mm]	176
Width [mm]	142
Height [mm]	78

References

16546-00QAA	16546-00QAU
-------------	-------------


Application info

Kubistar (08/03--)

Primastar (03/01--)

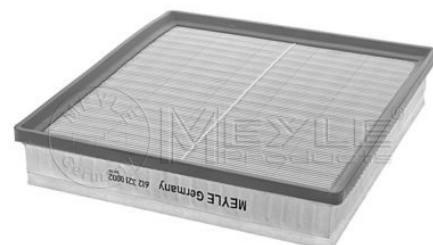
Air filter
612 321 0002
 16546-00QOH

Notes

	Filter Insert
Length [mm]	296
Width [mm]	282
Height [mm]	58

References

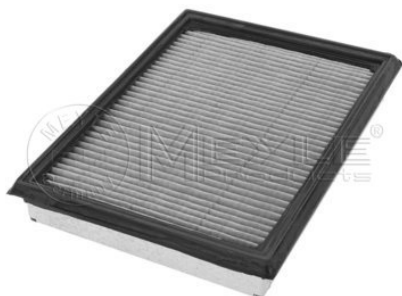
16546-00Q0H	16546-00QOH
-------------	-------------


Application info

Primastar (03/01--)

36-12 321 0014
16546-30P00

Air filter



Notes

	Filter Insert
Length [mm]	225
Width [mm]	166
Height [mm]	33

References

16546-30P00

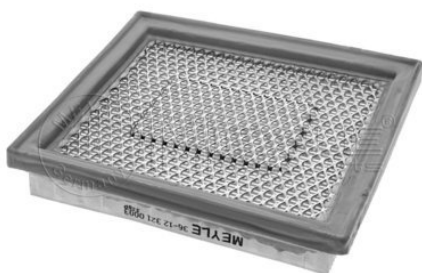
Application info

300 ZX (12/89-12/97)
Almera I/Pulsar I (07/95-07/00)

Juke (06/10--)

36-12 321 0003
16546-41B00

Air filter



Notes

	Filter Insert
Length [mm]	170
Width [mm]	158
Height [mm]	34

References

16546-0U800	16546-41B01
16546-0U80A	16546-AX600
16546-41B00	

Application info

Micra (K11) (01/92-02/03)
Micra (K12) (01/03--)

Note (03/06--)

33-12 321 0014
16546-4A00C

Air filter



Notes

	Filter Insert
Length [mm]	242
Width [mm]	142
Height [mm]	39

References

16546-4A00C	16546-4A00F
-------------	-------------

Application info

Pixo (03/09--)

Air filter
36-12 321 0005
 16546-6F900

Notes

	Filter Insert
Height [mm]	207.5
Outer Diameter [mm]	137
Inner Diameter [mm]	91

References

16546-6F900


Application info

Micra (K11) (01/92-02/03)

Air filter
36-12 321 0006
 16546-73C11

Notes

	Filter Insert
Length [mm]	227
Width [mm]	170
Height [mm]	34

References

16546-17B00	16546-73C10
16546-3J410	16546-73C11
16546-3J41A	16546-AA030
16546-73C00	AY120-NS007
16546-73C01	


Application info

 100 NX (03/90-01/96)
 200 SX (S14) (10/93-12/99)
 Almera I/Pulsar I (07/95-07/00)
 Primera (P10, W10) (06/90-03/98)

 Primera (P11, WP11) (06/96-07/02)
 Sunny (B13, N14, Y10) (05/90-03/00)
 X-Trail (T31) (06/07--)

Air filter
36-12 321 0002
 16546-7F002

Notes

	Filter Insert
Height [mm]	236
Height 1 [mm]	219
Outer Diameter [mm]	135
Inner Diameter [mm]	71.5

References

16546-3S903	16546-7F002
16546-7F000	



5

+

36-12 321 0002
16546-7F002

Air filter

Application info

Pick Up (D22) (01/97--)

Terrano II (10/92--)

36-12 321 0007
16546-80G00

Air filter



Notes

	Filter Insert
Height [mm]	178.5
Height 1 [mm]	170
Outer Diameter [mm]	126.5
Inner Diameter [mm]	70
Inner Diameter 1 [mm]	10

References

16546-04N00	16546-80G00
16546-0F000	

Application info

Terrano I (07/86-02/96)
Terrano II (10/92--)

Urvan (E24) (06/86-05/97)

36-12 321 0009
16546-88A10

Air filter



Notes

	Filter Insert
Height [mm]	40
Outer Diameter [mm]	280

References

16546-71J00	16546-88A00
16546-77A10	16546-88A10

Application info

100 NX (03/90-01/96)
Primera (P10, W10) (06/90-03/98)

Sunny (B12, N13) (01/86-10/91)
Sunny (B13, N14, Y10) (05/90-03/00)

Air filter
36-12 321 0012
 16546-9S001

Notes

	Filter Insert
Height [mm]	228
Height 1 [mm]	224
Outer Diameter 1 [mm]	135
Outer Diameter [mm]	148
Inner Diameter [mm]	75
Inner Diameter 1 [mm]	62

References

16546-9S000	16546-E6810
16546-9S001	16546-VK500
16546-9S00B	


Application info

Pick Up (D22) (01/97--)

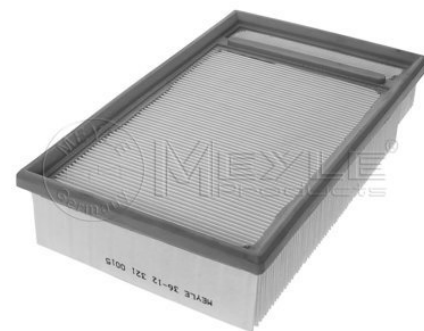
Air filter
36-12 321 0015
 16546-AW300

Notes

	Filter Insert
Length [mm]	270
Width [mm]	158
Height [mm]	58

References

16546-AW300


Application info

Primera (P12, WP12) (01/02--)

Air filter
16-12 321 0007
 16546-BN700

Notes

	Filter Insert
Length [mm]	376
Width [mm]	83
Height [mm]	58

References

16546-00QAK	16546-BN700
-------------	-------------


Application info

Almera II (01/00--)

Kubistar (08/03--)

36-12 321 0013
16546-EB300

Air filter



Notes

Length [mm]	Filter Insert 281
Width [mm]	180
Height [mm]	57

References

16546-EB300

Application info

Navara (D40) (10/04--)
NP300 (04/08--)

Pathfinder (R51) (01/05--)

36-12 321 0004
16546-ED000

Air filter



Notes

Length [mm]	Filter Insert 232
Width [mm]	137
Height [mm]	34

References

16546-ED000

Application info

Cube (Z12) (09/06--)
Micra (K12) (01/03--)
Note (03/06--)

Qashqai (02/07--)
Tida (08/06--)

36-12 321 0010
16546-JD20A

Air filter



Notes

Length [mm]	Filter Insert 236
Width [mm]	163
Height [mm]	58

References

16546-JD20A
16546-JD20B

16546-JG70A

Air filter

36-12 321 0010
16546-JD20A

Application info

Qashqai (02/07--)

X-Trail (T31) (06/07--)

Air filter

36-12 321 0001
16546-S0100

Notes

	Filter Insert
Height [mm]	61
Outer Diameter [mm]	259
Inner Diameter [mm]	200

References

16546-23000	89414-8980
16546-S0100	



Application info

Bluebird (910) (01/80-06/86)
 Bluebird (B610) (08/71-01/80)
 Laurel (C230/C231) (03/77-05/83)
 Laurel (C31) (01/81-12/85)

Patrol (160) (11/79-02/89)
 Patrol (260) (10/84-04/98)
 Pick Up (720) (01/80-03/86)
 Pick Up (D21) (09/85-02/98)

Air filter

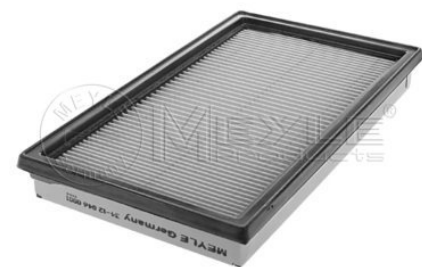
34-12 046 0001
16546-V0110

Notes

	Filter Insert
Length [mm]	281
Width [mm]	168
Height [mm]	35

References

16546-0Z000	16546-V0100
16546-3J400	16546-V0110
16546-6J400	16546-W2900
16546-70J10	



34-12 046 0001
16546-V0110

Air filter

Application info

100 NX (03/90-01/96)
200 SX (S13) (07/88-11/94)
300 SX (01/84-10/90)
350 Z (09/02--)
Almera I/Pulsar I (07/95-07/00)
Almera II (01/00--)
Almera Tino (08/00--)
Bluebird (910) (01/80-06/86)
Bluebird D (T72, T12) (12/85-11/92)
Laurel (C31) (01/81-12/85)
Laurel (C32) (11/84-06/90)
Maxima (A32) (03/94--)
Maxima (A33) (04/99-11/03)
Maxima (J30) (10/88-02/95)
Murano (Z50) (08/03--)
Murano (Z51) (11/07--)

Pathfinder (R50) (09/95-12/04)
Patrol GR I (08/87-02/98)
Pick Up (D21) (09/85-02/98)
Pick Up (D22) (01/97--)
Prairie Pro (M11) (10/88-07/94)
Primera (P10, W10) (06/90-03/98)
Primera (P11, WP11) (06/96-07/02)
Primera (P12, WP12) (01/02--)
Serena (C23M) (07/92-09/01)
Silvia (S110) (01/79-07/83)
Sunny (B12, N13) (01/86-10/91)
Sunny (B13, N14, Y10) (05/90-03/00)
Terrano I (07/86-02/96)
Terrano II (10/92--)
Vanette (C23) (09/94--)
X-Trail (T30) (06/01--)

36-12 321 0011
16546-VC10A

Air filter



Notes

	Filter Insert
Height [mm]	147
Height 1 [mm]	127
Outer Diameter [mm]	178.5
Inner Diameter [mm]	92.5

References

16546-VB300	16546-VC10A
-------------	-------------

Application info

Patrol GR II (06/97--)

30-12 321 0015
17801-21030

Air filter



Notes

	Filter Insert
Length [mm]	250.5
Width [mm]	119.5
Height [mm]	51

References

17801-21030

Application info

Navara (D40) (10/04--)

Air filter
16-12 321 0009
 22324-00QAB

Notes

	Filter Insert
Length [mm]	239
Width [mm]	141
Height [mm]	58

References

16546-00QAR	16546-BN70A
16546-BC40A	22324-00QAB
16546-BN701	8200437229


Application info

 Cube (Z12) (09/06--)
 Juke (06/10--)
 Micra (K12) (01/03--

 Note (03/06--)
 NV200 (02/10--)
 Tida (08/06--

Air filter
36-12 321 0016
 77010-65985

Notes

	Filter Insert
Height [mm]	180
Outer Diameter [mm]	107
Inner Diameter [mm]	72

References

16546-00QAG	77010-65985
-------------	-------------


Application info

Kubistar (08/03--

Fuel filter
33-14 323 0001
 15410-84380

Notes

Height [mm]	60
Height 1 [mm]	106
Diameter [mm]	56
Diameter 1 [mm]	70
	Metal

References

15410-84380


Application info

Pixo (03/09--

314 133 2107

16400-70J00

Fuel filter



Notes

Height [mm] 157
Diameter [mm] 81
Aluminium

References

16400-70J00

Application info

Primera (P10, W10) (06/90-03/98)
Primera (P11, WP11) (06/96-07/02)
Primera (P12, WP12) (01/02--)

Serena (C23M) (07/92-09/01)
Vanette (C23) (09/94--)

314 133 2108

16400-70J00

Fuel filter



Notes

Height [mm] 157
Diameter [mm] 81
Steel

References

16400-70J00

Application info

Primera (P10, W10) (06/90-03/98)
Serena (C23M) (07/92-09/01)

Vanette (C23) (09/94--)

36-14 323 0010

16400-72L00

Fuel filter



Notes

Height [mm] 123
Diameter [mm] 59
Metal

References

16400-10Y00 16400-72L05
16400-72L00 16400-72L10

5

+

Fuel filter

36-14 323 0010
16400-72L00

Application info	
Murano (Z50) (08/03--)	Patrol GRI (08/87-02/98)
Murano (Z51) (11/07--)	Sunny (B13, N14, Y10) (05/90-03/00)

Fuel filter

614 323 0000
16400-AW310

Notes

Height [mm]	Filter Insert
Diameter [mm]	92
	69.5
	with seal

References

16400-AW300	16400-AW310
-------------	-------------

Application info

Primera (P12, WP12) (01/02--)

Fuel filter

36-14 323 0004
16400-BN303

Notes

Port Thread	Screw-on Filter
Height [mm]	3/4"-16 UNF
Diameter [mm]	130
	93
	Steel

References

16400-BN303	16403-7F401
16400-BN30B	16403-7F40A
16403-7F400	16403-BN303



Application info

Almera II (01/00--)	Primera (P12, WP12) (01/02--)
Almera Tino (08/00--)	Serena (C23M) (07/92-09/01)
Navara (D40) (10/04--)	Terrano II (10/92--)
Pathfinder (R51) (01/05--)	Vanette (C23) (09/94--)

36-14 323 0013

16400-EC00A

Fuel filter

Notes

Height [mm]	100
Diameter [mm]	98
Diameter 1 [mm]	93.5
	Metal

References

16400-EC00A

Application info

Navara (D40) (10/04--)

Pathfinder (R51) (01/05--)

36-14 323 0012

16400-JD50A

Fuel filter

Notes

Height [mm]	97
Diameter [mm]	100
	Metal

References

16400-JD50A

16400-JD52A

Application info

Qashqai (02/07--)

X-Trail (T31) (06/07--)

614 323 0002

16400-JD51A

Fuel filter



Notes

Height [mm]	143
Diameter [mm]	55
	Steel
	Zinc-coated

References

16400-JD51A

16400-JD551A

Application info

Primastar (03/01--)

Fuel filter
36-14 323 0005
 16400-V2700

Notes

Height [mm]	118
Diameter [mm]	61.5
	Aluminium

References

16400-0W000	16400-9F927
16400-0W005	16400-9F928
16400-0W010	16400-9F928-KE
16400-0W01A	16400-D0300
16400-41B00	16400-F5100
16400-41B05	16400-G9601
16400-41B1A	16400-V2700
16400-41B25	16400-V2705
16400-41B26	A640M-41BM0
16400-9F910	A640M-41BM0-SA


Application info

100 NX (03/90-01/96)	Pathfinder (R50) (09/95-12/04)
200 SX (S13) (07/88-11/94)	Patrol (160) (11/79-02/89)
200 SX (S14) (10/93-12/99)	Pick Up (D21) (09/85-02/98)
300 SX (01/84-10/90)	Pick Up (D22) (01/97--)
Almera I/Pulsar I (07/95-07/00)	Prairie Pro (M11) (10/88-07/94)
Almera II (01/00--)	Primera (P10, W10) (06/90-03/98)
Almera Tino (08/00--)	Primera (P11, WP11) (06/96-07/02)
Bluebird (910) (01/80-06/86)	Primera (P12, WP12) (01/02--)
Bluebird (U11, WU11) (11/83-09/90)	Qashqai (02/07--)
Bluebird D (T72, T12) (12/85-11/92)	Silvia (S110) (01/79-07/83)
Cherry (N12) (04/82-10/87)	Silvia (S12) (01/84-12/88)
Laurel (C31) (01/81-12/85)	Sunny (B12, N13) (01/86-10/91)
Laurel (C32) (11/84-06/90)	Sunny (B13, N14, Y10) (05/90-03/00)
Maxima (A32) (03/94--)	Terrano II (10/92--)
Maxima (A33) (04/99-11/03)	Tida (08/06--)
Maxima (J30) (10/88-02/95)	Urvan (E23) (07/80-11/98)
Micra (K11) (01/92-02/03)	Urvan (E24) (06/86-05/97)
Micra (K12) (01/03--)	X-Trail (T30) (06/01--)
Note (03/06--)	X-Trail (T31) (06/07--)
NV200 (02/10--)	

Fuel filter
16-14 323 0007
 16401-00QAA

Notes

Height [mm]	187
Diameter [mm]	70
	Metal

References

16400-00QAV	16400-BN700
16400-4U105	16401-00QAA
16400-BC40A	

16-14 323 0007
16401-00QAA

Fuel filter

Application info

Almera II (01/00--)
Cube (Z12) (09/06--)
Juke (06/10--)
Kubistar (08/03--)

Micra (K12) (01/03--)
Note (03/06--)
NV200 (02/10--)
Tida (08/06--)

30-14 323 0001
16403-2SA00

Fuel filter



Notes

Port Thread
Thread Size
Height [mm]
Diameter [mm]

Screw-on Filter
3/4"-16 UNF
M36x1,5
140
86
Aluminium

References

16403-2SA00

Application info

370 Z (01/09--)

36-14 323 0014
16403-4U11A

Fuel filter



Notes

Port Thread
Thread Size
Height [mm]
Diameter [mm]

Screw-on Filter
3/4"-16 UNF
M36x1,5
125
95
Metal

References

16403-4U105

16403-4U11A

Application info

Almera Tino (08/00--)
NP300 (04/08--)

Primera (P12, WP12) (01/02--)
X-Trail (T30) (06/01--)

Fuel filter

36-14 323 0011
 16405-00QAA

Notes

	Filter Insert
Height [mm]	78.5
Height 1 [mm]	76
Diameter [mm]	78
Diameter 1 [mm]	65
	with seal

References

16405-00QAA



Application info

Interstar (07/02--)

Primastar (03/01--)

Fuel filter

614 323 0003
 16405-00QAB

Notes

	Filter Insert
Height [mm]	123.5
Diameter [mm]	69
	with seal

References

16405-00QAB

Application info

Interstar (07/02--)

Primastar (03/01--)

Fuel filter

36-14 323 0001
 16405-05E01

Notes

	Screw-on Filter
Port Thread	M36x1,5
Thread Size	3/4"-16 UNF
Height [mm]	139
Diameter [mm]	94
	Metal

References

16400-18A20	16403-59E0A
16400-2W202	16403-G2400
16400-57J05	16403-G9900
16400-VB201	16403-G990A
16400-VB20C	16405-05E01
16400-VC100	16405-59E00
16400-VC10C	A640C-59EM0
16403-59E00	A640C-59EM0-SA



36-14 323 0001
16405-05E01

Fuel filter

Application info

Almera I/Pulsar I (07/95-07/00)
Almera II (01/00--)
Almera Tino (08/00--)
Bluebird (U11, WU11) (11/83-09/90)
Bluebird D (T72, T12) (12/85-11/92)
Cherry (N12) (04/82-10/87)
Laurel (C31) (01/81-12/85)
Laurel (C32) (11/84-06/90)
NP300 (04/08--)
Pathfinder (R50) (09/95-12/04)
Patrol (260) (10/84-04/98)
Patrol GR I (08/87-02/98)
Patrol GR II (06/97--)
Pick Up (D21) (09/85-02/98)

Pick Up (D22) (01/97--)
Primera (P10, W10) (06/90-03/98)
Primera (P11, WP11) (06/96-07/02)
Serena (C23M) (07/92-09/01)
Sunny (B11) (03/82-08/90)
Sunny (B12, N13) (01/86-10/91)
Sunny (B13, N14, Y10) (05/90-03/00)
Terrano II (10/92--)
Trade (11/86-09/04)
Urvan (E23) (07/80-11/98)
Urvan (E24) (06/86-05/97)
Vanette (C22) (10/86-12/95)
Vanette (C23) (09/94--)
X-Trail (T30) (06/01--)

16-14 323 0002
82004-16946

Fuel filter



Notes

Height [mm]	168
Diameter [mm]	105
	Plastic

References

82004-16946

Application info

Interstar (07/02--)

16-14 322 0008
15208-00QAG

Oil filter

Notes

	Screw-on Filter
Thread Size	M20x1,5
Height [mm]	60
Diameter [mm]	66

References

15208-00QAG

Application info

Kubistar (08/03--)

Oil filter
36-14 322 0007
 15208-20N00

Notes

Thread Size 1"-12 UNF
 Height [mm] 129
 Diameter [mm] 93

References

15208-18G00 15208-20N1A
 15208-20N00 15208-40L00
 15208-20N01 15208-40L01
 15208-20N02 15208-40L02
 15208-20N10


Application info

Almera I/Pulsar I (07/95-07/00)
 Pathfinder (R50) (09/95-12/04)
 Patrol (260) (10/84-04/98)
 Patrol GR I (08/87-02/98)
 Patrol GR II (06/97--)
 Pick Up (D21) (09/85-02/98)

Primera (P10, W10) (06/90-03/98)
 Primera (P11, WP11) (06/96-07/02)
 Serena (C23M) (07/92-09/01)
 Sunny (B13, N14, Y10) (05/90-03/00)
 Terrano I (07/86-02/96)
 Vanette (C23) (09/94--)

Oil filter
35-14 322 0000
 15208-3J400XX

Notes

Thread Size M20x1,5
 Height [mm] 65
 Diameter [mm] 66

References

15208-3J400XX


Application info

350 Z (09/02--)
 370 Z (01/09--)
 Maxima (A33) (04/99-11/03)
 Micra (K13) (05/10--)

NV200 (02/10--)
 Pathfinder (R50) (09/95-12/04)
 Qashqai (02/07--)
 X-Trail (T31) (06/07--)

36-14 322 0001

15208-43G00

Oil filter



Notes

Thread Size
Height [mm]
Diameter [mm]

Screw-on Filter
3/4"-16 UNF
129
93

References

15208-43G00
15208-43G0A
15208-65010
15208-65011
15208-65014
15208-7F400
15208-7F40A
15208-G9900
15208-W1100
15208-W1120

15208-W1123
15208-W3401
15208-W3403
15208-Y9701
58610-24090
A5208-43G00
A5208-43G0A
A5208-W3403
AY100-NS010

Application info

Bluebird (910) (01/80-06/86)
Bluebird (B610) (08/71-01/80)
Pick Up (720) (01/80-03/86)
Pick Up (D21) (09/85-02/98)

Pick Up (D22) (01/97--)
Terrano II (10/92--)
Trade (11/86-09/04)
Urvan (E24) (06/86-05/97)

33-14 322 0005

15208-4A00A

Oil filter



Notes

Thread Size
Height [mm]
Diameter [mm]

Screw-on Filter
3/4"-16 UNF
69
65

References

15208-4A00A

Application info

Pixo (03/09--)

5

Oil filter
214 322 0002
 15208-6F906

Notes

 Thread Size
 Height [mm]
 Diameter [mm]

 Screw-on Filter
 M20x1,5
 89
 76

References

 15208-6F901
 15208-6F905
 15208-6F906

 15310-01700
 SU001-00453

Application info

Micra (K11) (01/92-02/03)

Pathfinder (R50) (09/95-12/04)

Oil filter
36-14 322 0002
 15208-70J01

Notes

 Thread Size
 Height [mm]
 Diameter [mm]

 Screw-on Filter
 3/4"-16 UNF-2B
 85
 65.5

References

 15208-53J00
 15208-53J01
 15208-70J00
 15208-70J01

 15208-AX625
 15208-BX000A
 A5208-70J00
 AY100-NS005

Application info

 100 NX (03/90-01/96)
 Micra (K11) (01/92-02/03)
 Micra (K12) (01/03--)
 Note (03/06--)

 Primera (P10, W10) (06/90-03/98)
 Serena (C23M) (07/92-09/01)
 Sunny (B13, N14, Y10) (05/90-03/00)

Oil filter
36-14 322 0006
 15208-9C600

Notes

 Thread Size
 Height [mm]
 Diameter [mm]

 Screw-on Filter
 3/4"-16 UNF
 97
 93

References

 15208-80W00
 15208-9C600
 15208-D9705
 15208-W1101
 15208-W1103
 15208-W1106

 15208-W1111
 15208-W1113
 15208-W1116
 A5208-W1103
 A5208-W1106
 A5208-W3401


36-14 322 0006
15208-9C600

Oil filter

Application info

280 ZX, ZXT (07/78-05/84)
Almera I/Pulsar I (07/95-07/00)
Bluebird (910) (01/80-06/86)
Bluebird (U11, WU11) (11/83-09/90)
Bluebird D (T72, T12) (12/85-11/92)
Cherry (N12) (04/82-10/87)
Laurel (C31) (01/81-12/85)
Laurel (C32) (11/84-06/90)
Patrol (160) (11/79-02/89)
Patrol (260) (10/84-04/98)
Patrol GRI (08/87-02/98)
Pick Up (720) (01/80-03/86)

Pick Up (D21) (09/85-02/98)
Primera (P10, W10) (06/90-03/98)
Serena (C23M) (07/92-09/01)
Silvia (S12) (01/84-12/88)
Sunny (B11) (03/82-08/90)
Sunny (B12, N13) (01/86-10/91)
Sunny (B13, N14, Y10) (05/90-03/00)
Terrano I (07/86-02/96)
Trade (11/86-09/04)
Vanette (C22) (10/86-12/95)
Vanette (C23) (09/94-)

614 322 0000
15208-9E000

Oil filter



Notes

Thread Size
Height [mm]
Diameter [mm]

Screw-on Filter
M20x1,5
90
66

References

15208-31000
15208-31U00
15208-31U01

15208-7B000
15208-9E000
AY100-NS006

Application info

Maxima (A32) (03/94-)
Maxima (A33) (04/99-11/03)

Pathfinder (R50) (09/95-12/04)
Pathfinder (R51) (01/05-)

36-14 322 0008
15208-9F600

Oil filter



Notes

Thread Size
Height [mm]
Diameter [mm]

Screw-on Filter
M20x1,5
70
65

References

15208-3J400
15208-65F00
15208-65F01
15208-65F0A

15208-65F0B
15208-65F10
15208-7M600
15208-9F600

Oil filter
36-14 322 0008
 15208-9F600

Application info

200 SX (S14) (10/93-12/99)
 350 Z (09/02--)
 370 Z (01/09--)
 Almera I/Pulsar I (07/95-07/00)
 Almera II (01/00--)
 Almera Tino (08/00--)
 Cube (Z12) (09/06--)
 Juke (06/10--)
 Micra (K12) (01/03--)
 Micra (K13) (05/10--)
 Murano (Z50) (08/03--)
 Murano (Z51) (11/07--)

Note (03/06--)
 NV200 (02/10--)
 Pathfinder (R50) (09/95-12/04)
 Pick Up (D21) (09/85-02/98)
 Pick Up (D22) (01/97--)
 Primera (P11, WP11) (06/96-07/02)
 Primera (P12, WP12) (01/02--)
 Qashqai (02/07--)
 Tida (08/06--)
 X-Trail (T30) (06/01--)
 X-Trail (T31) (06/07--)

Oil filter
36-14 322 0005
 15208-AD200

Notes

Height [mm]
 Height 1 [mm]
 Outer Diameter [mm]
 Inner Diameter [mm]

Filter Insert
 73.5
 70.5
 73
 23.5
 with seal

References

15208-5M300	15208-AD300
15208-AD200	15208-BN31A
15208-AD20A	15209-AD200


Application info

Almera II (01/00--)
 Almera Tino (08/00--)
 Pick Up (D22) (01/97--)

Primera (P12, WP12) (01/02--)
 X-Trail (T30) (06/01--)

Oil filter
36-14 322 0003
 15208-BN30A

Notes

Thread Size
 Height [mm]
 Diameter [mm]

Screw-on Filter
 3/4"-16 UNF
 94
 94

References

15208-BN300	15208-BN30A
-------------	-------------



36-14 322 0003
15208-BN30A

Oil filter

Application info

Almera II (01/00--)
Almera Tino (08/00--)
Murano (Z51) (11/07--)
Navara (D40) (10/04--)

Pathfinder (R51) (01/05--)
Pick Up (D22) (01/97--)
Primera (P12, WP12) (01/02--)
X-Trail (T30) (06/01--)

32-14 322 0006
15208-HC400

Oil filter



Notes

Thread Size
Height [mm]
Height 1 [mm]
Diameter [mm]
Diameter 1 [mm]

Screw-on Filter
M20x1,5
86.3
85
70.7
68

References

15208-HC400

Application info

Trade (11/86-09/04)

37-14 322 0009
15208-HC430

Oil filter



Notes

Thread Size
Height [mm]
Diameter [mm]

Screw-on Filter
M20x1,5
75
68

References

15208-HC430

Application info

X-Trail (T31) (06/07--)

Oil filter
614 322 0013
 15209-00Q0A

Notes

 Height 2 [mm]
 Outer Diameter [mm]
 Inner Diameter [mm]

 Filter Insert
 113
 57
 24
 with seal

References

15209-00Q0A


Application info

 Interstar (07/02--)
 Primastar (03/01--)

 Qashqai (02/07--)
 X-Trail (T31) (06/07--)

Oil filter
614 322 0018
 15209-00Q0D

Notes

 Height 2 [mm]
 Inner Diameter [mm]
 Diameter [mm]

 Filter Insert
 113
 24.5
 57
 with seal

References

15209-00Q0D

15209-00Q0G


Application info

NV400 (11/11--)

Qashqai (02/07--)

Oil filter
614 322 0014
 15209-00QAA

Notes

 Height [mm]
 Outer Diameter [mm]
 Inner Diameter [mm]
 Inner Diameter 1 [mm]
 Inner Diameter 2 [mm]

 Filter Insert
 92
 91
 38
 33.5
 33.5
 with seal

References

 15209-00Q0B
 15209-00QAA

77014-72321


Application info

Interstar (07/02--)

Primastar (03/01--)

16-14 322 0006
15209-2W200

Oil filter



Notes

Height [mm]
Outer Diameter [mm]
Inner Diameter [mm]

Filter Insert
101
73
27.3
with seal

References

15209-00QAC
15209-2W200

15209-MA70A

Application info

Interstar (07/02--)
Patrol GR II (06/97--)

Terrano II (10/92--)

16-14 322 0000
82000-33468

Oil filter



Notes

Thread Size
Height [mm]
Diameter [mm]

Screw-on Filter
M20x1,5
50
76

References

15208-00Q0D
15208-00Q0F
15208-00Q0G
15208-00QAB
15208-00QAC

15208-00QAF
15208-BN700
82000-33408
82000-33468

Application info

Primastar (03/01--)

Primera (P12, WP12) (01/02--)

36-14 322 0004
A5208-H890C

Oil filter



Notes

Thread Size
Height [mm]
Height 1 [mm]
Diameter [mm]

Screw-on Filter
3/4"-16 UNF
102
100
83

References

15208-55Y00
15208-60U00
15208-60U01
15208-71J00
15208-71J06
15208-AA000
15208-G3100
15208-H8901

15208-H8903
15208H-8903JP
15208-H8910
15208-H8912
A5208-H8903
A5208-H8904
A5208-H890C

Oil filter
36-14 322 0004
 A5208-H890C

Application info

100 NX (03/90-01/96)
 180 SX (09/88-03/94)
 300 SX (01/84-10/90)
 300 ZX (12/89-12/97)
 Almera I/Pulsar I (07/95-07/00)
 Maxima (J30) (10/88-02/95)
 Pick Up (D21) (09/85-02/98)
 Pick Up (D22) (01/97--)
 Prairie Pro (M11) (10/88-07/94)
 Primera (P10, W10) (06/90-03/98)
 Primera (P11, WP11) (06/96-07/02)

Serena (C23M) (07/92-09/01)
 Sunny (B12, N13) (01/86-10/91)
 Sunny (B13, N14, Y10) (05/90-03/00)
 Sunny (B310) (01/70-02/82)
 Terrano I (07/86-02/96)
 Terrano II (10/92--)
 Urvan (E23) (07/80-11/98)
 Urvan (E24) (06/86-05/97)
 Vanette (C22) (10/86-12/95)
 Vanette (C23) (09/94--)
 Vanette (KC120) (06/81-12/87)

Oil filter
35-14 322 0002
 Y7011-4302

Notes

Thread Size
 Height [mm]
 Height 1 [mm]
 Diameter [mm]
 Diameter 1 [mm]

Main Stream Filtration
 Screw-on Filter
 M20x1,5
 76.1
 74
 83
 80

References

Y7011-4302


Application info

370 Z (01/09--)

Engine mount
16-14 030 0026
 11220-BN720

Notes

Left
 Rubber-metal Bearing

References

11220-BN700

11220-BN720


Application info

Almera II (01/00--)
 Cube (Z12) (09/06--)
 Micra (K12) (01/03--)

Note (03/06--)
 NV200 (02/10--)
 Tida (08/06--)

16-14 030 0082
11270-00QAA

Engine mount

Notes

Right
Rubber-metal Bearing

References

11270-00QAA

Application info

Kubistar (08/03--)

5

Steering boot

16-14 620 0001
 48203-00QAD

Notes

	Front Axle Left
	Front Axle Right
Height [mm]	165
Inner Diameter 1 [mm]	10
Inner Diameter 2 [mm]	10
	with accessories

References

48203-00QAD	77014-70361
-------------	-------------



Application info

Interstar (07/02--)

Axial rod

36-16 031 0010
 48001JD900*

Notes

	Front Axle Left
	Front Axle Right
Length [mm]	233
Thread Measurement 1	M22x1,5
Thread Measurement 2	M14x1,5

References

48001JD900*	D8521-JD00B
-------------	-------------



Application info

Qashqai (02/07--)

X-Trail (T31) (06/07--)

Axial rod

16-16 031 0004
 48520-00QAM

Notes

	Front Axle Left
	Front Axle Right
Length [mm]	263
Thread Measurement 1	M12x1
Thread Measurement 2	M14x1,5

References

48520-00QAM



Application info

Primastar (03/01--)

16-16 031 0011
48521-00QAA

Axial rod



Notes

Length [mm]
Manufacturer Restriction
Thread Measurement 1
Thread Measurement 2

Front Axle Left
Front Axle Right
303
TRW
M12x1
M14x1,5

References

48521-00QAA

Application info

Kubistar (08/03--)

616 031 0006
48521-00QAF

Axial rod



Notes

Length [mm]
Thread Measurement 1
Thread Measurement 2

Front Axle Left
Front Axle Right
175
M14x1,5
M16x1,5

References

48521-00QAF

Application info

Interstar (07/02--)

16-16 031 0008
48521-00QAG

Axial rod



Notes

Length [mm]
Manufacturer Restriction
Thread Measurement 1
Thread Measurement 2

Front Axle Left
Front Axle Right
303
SMI
M12x1
M14x1,5

References

48521-00QAG

Application info

Kubistar (08/03--)

Axial rod
36-16 030 0062
 48521-17B00

Notes

	Front Axle Left
	Front Axle Right
Length [mm]	270
Thread Measurement 1	M18x1
Thread Measurement 2	M14x1,25

References

48521-01B25	48521-17B00
48521-01B26	48521-17B25


Application info

Micra (K10) (12/82-11/92)

Axial rod
36-16 031 0064
 48521-3U025

Notes

	Front Axle Left
	Front Axle Right
Length [mm]	200
Thread Measurement 1	M14x1,5
Thread Measurement 2	M12x1,25

References

48521-3U025


Application info

 Cube (Z12) (09/06-)
 Note (03/06-)

 NV200 (02/10-)
 Tida (08/06-)

Axial rod
36-16 031 0005
 48521-4M500

Notes

	Front Axle Left
	Front Axle Right
Length [mm]	287
Thread Measurement 1	M16x1
Thread Measurement 2	M14x1,5

References

48521-4M500	48521-8H328
48521-4M528	48521-8H385
48521-8H300	48521-8H386
48521-8H325	


Application info

Almera II (01/00-)

X-Trail (T30) (06/01-)

36-16 031 0008
48521-4U110

Axial rod



Notes

Length [mm]
Thread Measurement 1
Thread Measurement 2

Front Axle Left
Front Axle Right
305
M16x1
M14x1,5

References

48521-4U110
48521-4U185

48521-4U186

Application info

Almera Tino (08/00--)

36-16 030 0009
48521-50Y00

Axial rod



Notes

Length [mm]
Thread Measurement 1
Thread Measurement 2

Front Axle Left
Front Axle Right
275
M16x1
M12x1,25

References

48521-50000
48521-50400
48521-50Y00

48521-50Y25
48521-Y02G0

Application info

100 NX (03/90-01/96)
Almera I/Pulsar I (07/95-07/00)

Primera (P10, W10) (06/90-03/98)
Sunny (B13, N14, Y10) (05/90-03/00)

36-16 030 0001
48521-72E06

Axial rod



Notes

Length [mm]
Thread Measurement 1
Thread Measurement 2

Front Axle Left
Front Axle Right
263
M16x1
M14x1,5

References

48521-06R05
48521-06R06
48521-71C00
48521-71L00

48521-71V06
48521-72E00
48521-72E06
48521-72V06

Axial rod
36-16 030 0001
 48521-72E06

Application info

 Maxima (J30) (10/88-02/95)
 Prairie Pro (M11) (10/88-07/94)

Prarie (M10) (12/82-10/88)

Axial rod
36-16 031 0058
 48521-CA025

Notes

 Length [mm]
 Thread Measurement 1
 Thread Measurement 2

 Front Axle Left
 Front Axle Right
 264
 M16x1
 M16x1,5

References

48521-CA025


Application info

Murano (Z50) (08/03--)

Axial rod
36-16 030 0022
 48521-EA000

Notes

 Length [mm]
 Thread Measurement 1
 Thread Measurement 2

 Front Axle Left
 Front Axle Right
 203
 M20x1
 M16x1,5

References

48521-EA000


Application info

Navara (D40) (10/04--)

Pathfinder (R51) (01/05--)

36-16 031 0009

49001-AV610*

Axial rod



Notes

Length [mm]
Thread Measurement 1
Thread Measurement 2

Front Axle Left
Front Axle Right
280
M18x1,5
M12x1,25

References

49001-AV610*

49001-BA210*

Application info

Primera (P12, WP12) (01/02--)

36-16 031 0068

D8521-1HJ0A

Axial rod

Notes

Length [mm]
Thread Measurement 1
Thread Measurement 2

Front Axle Left
Front Axle Right
226
M14x1,5
M12x1,25

References

D8521-1HA0A

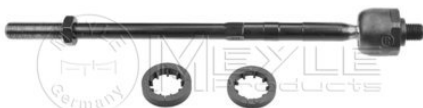
D8521-1HJ0A

Application info

Micra (K13) (05/10--)

16-16 031 0007

Axial rod



Notes

Length [mm]
Thread Measurement 1
Thread Measurement 2

Front Axle Left
Front Axle Right
309
M14x1,5
M14x1,5

Application info

Micra (K12) (01/03--)

Tie rod assembly
36-16 030 0014
 48510-31G25

Notes

Thread Size Front Axle Left
 Front Axle Right
 M12x1,25

References

48510-31G25 48630-31G25


Application info

Pick Up (D21) (09/85-02/98)

Terrano I (07/86-02/96)

Tie rod end
616 020 0006
 48520-00QAH

Notes

Length [mm] Front Axle Left
 220
 Thread Measurement 1 M14x1,5
 Thread Measurement 2 M16x1,5

References

48520-00QAH

Counterpart

616 020 0008


Application info

Interstar (07/02--)

Tie rod end
616 020 0008
 48520-00QAJ

Notes

Length [mm] Front Axle Right
 223
 Thread Measurement 1 M14x1,5
 Thread Measurement 2 M16x1,5

References

48520-00QAJ

Counterpart

616 020 0006


Application info

Interstar (07/02--)

6

16-16 020 0009
48520-00QAK

Tie rod end



Notes

Length [mm]
Thread Measurement 1
Thread Measurement 2

Front Axle Left
210
M10x1,25
M14x1,5

References

48520-00QAK

Counterpart

16-16 020 0008

Application info

Primastar (03/01--)

16-16 020 0008
48520-00QAL

Tie rod end



Notes

Length [mm]
Thread Measurement 1
Thread Measurement 2

Front Axle Right
210
M10x1,25
M14x1,5

References

48520-00QAL

Counterpart

16-16 020 0009

Application info

Primastar (03/01--)

16-16 020 0006
48520-00QAN

Tie rod end



Notes

Length [mm]
Thread Measurement 1
Thread Measurement 2

Front Axle Left
for vehicles with power steering
90
M10x1,25
M14x1,5

References

48520-00QAN

Counterpart

16-16 020 0000

Application info

Kubistar (08/03--)

Tie rod end
16-16 020 0000
 48520-00QAP

Notes

Length [mm] Front Axle Right
 Thread Measurement 1 for vehicles with power steering
 Thread Measurement 2 90
 M10x1,25
 M14x1,5

References

48520-00QAP

Counterpart

16-16 020 0006


Application info

Kubistar (08/03--)

Tie rod end
36-16 020 0053
 48520-01E26

Notes

Length [mm] Front Axle Left
 Thread Measurement 1 Front Axle Right
 Thread Measurement 2 96
 M12x1,25
 M12x1,25

References

48520-01E00	48520-35F25
48520-01E25	48520-50Y25
48520-01E26	48520-D0100
48520-02E00	48520-D0125
48520-02E25	48520-D0126
48520-02E26	48520-Q9000
48520-0M025	


Application info

100 NX (03/90-01/96)
 Almera I/Pulsar I (07/95-07/00)
 Bluebird (U11, WU11) (11/83-09/90)

Bluebird D (T72, T12) (12/85-11/92)
 Sunny (B12, N13) (01/86-10/91)
 Sunny (B13, N14, Y10) (05/90-03/00)

Tie rod end
36-16 020 0086
 48520-0M085

Notes

Length [mm] Front Axle Left
 Thread Measurement 1 Front Axle Right
 Thread Measurement 2 95
 M12x1,25
 M14x1,5

References

48520-0C000	48520-15U25
48520-0M085	



36-16 020 0086
48520-0M085

Tie rod end

Application info

Almera Tino (08/00--)
Maxima (A32) (03/94--)

Maxima (A33) (04/99-11/03)

36-16 020 0078
48520-17B25

Tie rod end



Notes

Length [mm]
Thread Measurement 1
Thread Measurement 2

Front Axle Left
Front Axle Right
80
M10x1,25
M12x1,25

References

48520-01B25

48520-17B25

Application info

Micra (K10) (12/82-11/92)

36-16 020 0030
48520-2S485

Tie rod end



Notes

Length [mm]
Thread Measurement 1
Thread Measurement 2

Front Axle Left
Front Axle Right
Outer
95
M12x1,25
M18x1,5

References

48520-2S420
48520-2S485

D8520-VK91A

Application info

Pick Up (D22) (01/97--)

Tie rod end
36-16 020 0008
 48520-31G25

Notes

	Front Axle Left
	Front Axle Right
	Outer
Length [mm]	134
Thread Measurement 1	M12x1,25
Thread Measurement 2	M16x1,5

References

48520-31G25	48520-7F000
48520-61G25	


Application info

Pick Up (D21) (09/85-02/98)
 Terrano I (07/86-02/96)

Terrano II (10/92--)

Tie rod end
36-16 020 0070
 48520-6F625

Notes

	Front Axle Left
	Front Axle Right
	91
Length [mm]	
Thread Measurement 1	M10x1,25
Thread Measurement 2	M12x1,25

References

48520-4F125	48520-6F625
-------------	-------------


Application info

Micra (K11) (01/92-02/03)

Tie rod end
36-16 020 0077
 48520-73J25

Notes

	Front Axle Left
	Front Axle Right
	95
Length [mm]	
Thread Measurement 1	M12x1,25
Thread Measurement 2	M12x1,25

References

48520-73J25	48520-76J25
-------------	-------------



36-16 020 0077
48520-73J25

Tie rod end

Application info

Primera (P10, W10) (06/90-03/98)
Primera (P11, WP11) (06/96-07/02)
Primera (P12, WP12) (01/02--)

Serena (C23M) (07/92-09/01)
Vanette (C23) (09/94--)

36-16 020 0090/HD
48520-AX600

Tie rod end



Notes

Reinforced Version

Length [mm]
Thread Measurement 1
Thread Measurement 2

Front Axle Right
200
M10x1,25
M14x1,5

References

48520-AX600

Counterpart

36-16 020 0081/HD

Application info

Micra (K12) (01/03--)

16-16 020 0016
48520-AX602

Tie rod end



Notes

Length [mm]
Thread Measurement 1
Thread Measurement 2

Front Axle Right
90
M10x1,25
M14x1,5

References

48520-AX602

Counterpart

16-16 020 0014

Application info

Micra (K12) (01/03--)

Tie rod end
36-16 020 0084
 48520-BM425

Notes

	Front Axle Left
	Front Axle Right
Length [mm]	100
Thread Measurement 1	M12x1,25
Thread Measurement 2	M12x1,25

References

48520-BM425


Application info

Almera II (01/00-)

Tie rod end
36-16 020 0017
 48520-EA01J

Notes

	Front Axle Left
Length [mm]	183
Thread Measurement 1	M14x1,5
Thread Measurement 2	M16x1,5

References

48520-EA01J

Counterpart

36-16 020 0018


Application info

Navara (D40) (10/04-)

Pathfinder (R51) (01/05-)

Tie rod end
36-16 020 0028
 48527-1U61A

Notes

	Front Axle Right
Length [mm]	197
Thread Measurement 1	M10x1,25
Thread Measurement 2	M12x1,25

References

 48520-3U025
 48527-1U61A

D8520-EW00A

Counterpart

36-16 020 0027



36-16 020 0028
48527-1U61A

Tie rod end

Application info

Cube (Z12) (09/06--)
Micra (K12) (01/03--)
Note (03/06--)

NV200 (02/10--)
Tida (08/06--)
Tiida (05/04-06/11)

36-16 020 0091
48527-JD01A

Tie rod end



Notes

Length [mm]
Thread Measurement 1
Thread Measurement 2

Front Axle Right
181
M10x1,25
M14x1,5

References

48527-JD01A

Counterpart

36-16 020 0092

Application info

Qashqai (02/07--)

X-Trail (T31) (06/07--)

36-16 020 0009
48570-31G25

Tie rod end



Notes

Length [mm]
Thread Measurement 1
Thread Measurement 2

Front Axle Left
Front Axle Right
inner
131
M12x1,25
M16x1,5
with left-hand thread

References

48520-7F001
48521-31G25

48570-31G25
48570-61G25

Application info

Pick Up (D21) (09/85-02/98)
Terrano I (07/86-02/96)

Terrano II (10/92--)

Tie rod end

36-16 020 0081/HD
48640-AX600
Notes

Reinforced Version

 Length [mm]
 Thread Measurement 1
 Thread Measurement 2

 Front Axle Left
 200
 M10x1,25
 M14x1,5

References

48640-AX600

Counterpart

36-16 020 0090/HD


Application info

Micra (K12) (01/03--)

Tie rod end
16-16 020 0014
48640-AX602
Notes

 Length [mm]
 Thread Measurement 1
 Thread Measurement 2

 Front Axle Left
 90
 M10x1,25
 M14x1,5

References

48640-AX602

Counterpart

16-16 020 0016


Application info

Micra (K12) (01/03--)

Tie rod end
36-16 020 0018
48640-EA01J
Notes

 Length [mm]
 Thread Measurement 1
 Thread Measurement 2

 Front Axle Right
 183
 M14x1,5
 M16x1,5

References

48640-EA01J

Counterpart

36-16 020 0017


Application info

Navara (D40) (10/04--)

Pathfinder (R51) (01/05--)

36-16 020 0027
48647-1U61A

Tie rod end



Notes

Length [mm]	Front Axle Left
Thread Measurement 1	197
Thread Measurement 2	M10x1,25
	M12x1,25

References

48640-3U025	D8640-EW00A
48647-1U61A	

Counterpart

36-16 020 0028

Application info

Cube (Z12) (09/06--)
Micra (K12) (01/03--)
Note (03/06--)

NV200 (02/10--)
Tida (08/06--)
Tida (05/04-06/11)

36-16 020 0092
48647-JD01A

Tie rod end



Notes

Length [mm]	Front Axle Left
Thread Measurement 1	181
Thread Measurement 2	M10x1,25
	M14x1,5

References

48647-JD01A

Counterpart

36-16 020 0091

Application info

Qashqai (02/07--)

X-Trail (T31) (06/07--)

36-16 020 0088
D8520-0W025

Tie rod end



Notes

Length [mm]	Front Axle Left
Thread Measurement 1	Front Axle Right
Thread Measurement 2	Outer
	95
	M14x1,5
	M14x1,5

References

48520-0P725	48520-3S525
48520-0W025	D8520-0W025
48520-3S500	

Tie rod end
36-16 020 0088
 D8520-0W025

Application info

 Pathfinder (R50) (09/95-12/04)
 Pick Up (D22) (01/97--)

X-Trail (T30) (06/01--)

Tie rod end
36-16 020 0015
 D8520-1KA0A

Notes

	Front Axle Right
Length [mm]	192
Thread Measurement 1	M10x1,25
Thread Measurement 2	M12x1,25

References

D8520-1KA0A

Counterpart

36-16 020 0014


Application info

Juke (06/10--)

Tie rod end
36-16 020 0031
 D8520-CB025

Notes

	Front Axle Left
	Front Axle Right
Length [mm]	194
Thread Measurement 1	M14x1,5
Thread Measurement 2	M14x1,5

References

48520-CB025	D8520-CB025
-------------	-------------


Application info

Murano (Z50) (08/03--)

36-16 020 0014
D8640-1KA0A

Tie rod end



Notes

Length [mm]	Front Axle Left
Thread Measurement 1	192
Thread Measurement 2	M10x1,25
	M12x1,25

References

D8640-1KA0A

Counterpart

36-16 020 0015

Application info

Juke (06/10--)

16-16 020 0029

Tie rod end



Notes

Length [mm]	Front Axle Right
Thread Measurement 1	224
Thread Measurement 2	M14x1,5
	M18x1,5

Counterpart

16-16 020 0030

Application info

NV400 (11/11--)

16-16 020 0030

Tie rod end



Notes

Length [mm]	Front Axle Left
Thread Measurement 1	224
Thread Measurement 2	M14x1,5
	M18x1,5

Counterpart

16-16 020 0029

Application info

NV400 (11/11--)

Tie rod end

616 020 0009

Notes

	Front Axle Left
	Front Axle Right
Length [mm]	72
Thread Measurement 1	M12x1,25
Thread Measurement 2	M12x1,25



Application info

Pixo (03/09--)

36-16 010 0001
40110-01G25

Ball joint



Notes

Front Axle Left
Front Axle Right
Upper
M14x1,5
with accessories

Thread Size

References

40110-01G00	40110-B9500
40110-01G25	40110-T6000
40110-01G26	40110-T6025
40110-0F000	40110-V0100

Application info

Datsun 140 (01/73-06/83)
Pick Up (D21) (09/85-02/98)
Terrano I (07/86-02/96)

Terrano II (10/92--)
Urvan (E23) (07/80-11/98)
Urvan (E24) (06/86-05/97)

36-16 010 0012
40110-2S486

Ball joint



Notes

Front Axle Left
Front Axle Right
Upper
M14x1,5
51

Thread Size
Outer Diameter [mm]

References

40110-2S485	40110-2S486
-------------	-------------

Application info

Pick Up (D22) (01/97--)

36-16 010 0023
40110EA000

Ball joint



Notes

Front Axle Left
Front Axle Right
Upper
M14x1,5
42

Thread Size
Outer Diameter [mm]

References

40110EA000	54525-EB30A*
54524-EB30A*	

Ball joint

36-16 010 0023
40110EA000



Application info

Navara (D40) (10/04--)

Pathfinder (R51) (01/05--)

Ball joint

16-16 010 0009
40160-000AC

Notes

Front Axle Left
 Front Axle Right
 Lower
 47

Outer Diameter [mm]

References

40160-000AC

40160-000AD



Application info

Interstar (07/02--)

Ball joint

16-16 010 0020
40160-00Q0B

Notes

Front Axle Left
 Front Axle Right
 Lower
 43

Outer Diameter [mm]

References

40160-00Q0B



Application info

Interstar (07/02--)

16-16 010 0010
40160-00Q0C

Ball joint



Notes

Thread Measurement 1
Flange Hole Diameter [mm]

Front Axle Left
Front Axle Right
Lower
M16x1,5
12

References

40160-00Q0C

Application info

Primastar (03/01--)

616 010 0005/HD
40160-00QAB

Ball joint 



Notes

Reinforced Version

Thread Size
Outer Diameter [mm]

Front Axle Left
Front Axle Right
Upper
M14x1,5
54

References

40160-00QAB

Application info

Interstar (07/02--)

36-16 010 0019
40160-2S601

Ball joint



Notes

Thread Size
Outer Diameter [mm]

Front Axle Left
Front Axle Right
Lower
M18x1,5
43

References

40160-2S601

Application info

Pick Up (D22) (01/97--)

Ball joint
36-16 010 0045
 40160-2Y000

Notes

Thread Size

 Front Axle Left
 Front Axle Right
 Lower
 M14x1,5
 with accessories

References

 40160-2Y000
 54500-AV600*
 54501-AV600*

 54501-AV60A*
 54501-AV60C*

Application info

 Almera Tino (08/00--)
 Maxima (A33) (04/99-11/03)

Primera (P12, WP12) (01/02--)

Ball joint
36-16 010 0050
 40160-7F000

Notes

 Length [mm]
 Thread Size

 Front Axle Left
 Front Axle Right
 Lower
 83
 M18x1,5
 with accessories

References

40160-7F000


Application info

Terrano II (10/92--)

Ball joint
36-16 010 0010
 40160-85E00

Notes

Thread Size

 Front Axle Left
 Front Axle Right
 Lower
 M14x1,5

References

 40160-01E00
 40160-01E25

 40160-51E00
 40160-85E00


36-16 010 0010
40160-85E00

Ball joint

Application info

Bluebird (U11, WU11) (11/83-09/90)
Bluebird D (T72, T12) (12/85-11/92)
Maxima (J30) (10/88-02/95)

Prairie Pro (M11) (10/88-07/94)
Prarie (M10) (12/82-10/88)
Primera (P10, W10) (06/90-03/98)

36-16 010 0003
40160-93G26

Ball joint



Notes

Length [mm]
Thread Size

Front Axle Left
Front Axle Right
Lower
33
M18x1,5
with accessories

References

40160-0F000
40160-50W00
40160-50W01
40160-50W10
40160-50W25
40160-93G00

40160-93G25
40160-93G26
40160-50W25
40161-50W01
40161-93G26

Application info

Pick Up (D21) (09/85-02/98)

Terrano I (07/86-02/96)

36-16 010 0025
40160-EA00A

Ball joint



Notes

Outer Diameter [mm]

Front Axle Left
Front Axle Right
Lower
45

References

40160-EA00A
54500-EB31A*

54501-EB31A*

Application info

Navara (D40) (10/04--)

Pathfinder (R51) (01/05--)

Ball joint
36-16 010 0039
 54500-0M010*

Notes

	Front Axle Left
	Front Axle Right
	Lower
Thread Size	M14x1,5
Height [mm]	54
Outer Diameter [mm]	39
	with accessories

References

40160-0M010	40161-52Y10
40160-0M020	54500-0M010*
40160-50Y00	54500-0M020*
40160-50Y02	54500-0M060*
40160-50Y0R	54500-52Y10*
40160-50Y10	54500-52Y15*
40160-52Y00	54500-52Y60*
40160-52Y10	54500-52Y70*
40160-52Y20	54500-69Y10*
40160-60Y00	54501-0M010*
40160-60Y10	54501-52Y10*
40160-60Y20	54501-52Y15*
40160-69Y00	54501-52Y60*
40160-69Y10	54501-52Y70*
40160-F4200	54501-69Y10*
40160-Y02G0	


Application info

 100 NX (03/90-01/96)
 Almera I/Pulsar I (07/95-07/00)

Sunny (B13, N14, Y10) (05/90-03/00)

Ball joint
36-16 010 0034
 54500-1KA0B*

Notes

	Front Axle Left
	Front Axle Right
Outer Diameter [mm]	38

References

54500-1KA0A*	54501-1KA0A*
54500-1KA0B*	54501-1KA0B*

Application info

Juke (06/10--)

36-16 010 0040
54500-4F105*

Ball joint



Notes

Thread Size
Height [mm]
Outer Diameter [mm]

Front Axle Left
Front Axle Right
Lower
M12x1,25
46
35
with accessories

References

40160-4F100
54500-44B00*
54500-4F102*
54500-4F105*
54500-4F150*

54501-44B00*
54501-4F102*
54501-4F105*
54501-4F150*

Application info

Micra (K11) (01/92-02/03)

36-16 010 0043
54500-4M410*

Ball joint



Notes

Thread Size
Outer Diameter [mm]

Front Axle Left
Front Axle Right
Lower
M14x1,5
38
with accessories

References

54500-4M410*
54500-4M411*
54500-BM410*
54500-F4600*

54501-4M410*
54501-4M411*
54501-BM410*
54501-F4600*

Application info

Almera II (01/00-)

Ball joint
36-16 010 0006
 54500-86J00*

Notes

Front Axle Left
 Front Axle Right
 Lower
 Thread Size M14x1,5
 Height [mm] 50
 Outer Diameter [mm] 38
 with accessories

References

40160-50A00	54500-50J10*
40160-50J25	54500-50J25*
40160-60Y60	54500-69C00
40160-69C00	54500-86J00*
40160-70J00	54501-50J00*
40160-86M00	54501-50J10*
40160-J7500	54501-50J25*
54500-50J00*	54501-86J00*


Application info

Primera (P10, W10) (06/90-03/98) Sunny (B12, N13) (01/86-10/91)
 Primera (P11, WP11) (06/96-07/02)

Ball joint
36-16 010 0014
 54500-EW000*

Notes

Front Axle Left
 Front Axle Right
 Outer Diameter [mm] 38

References

54500-1JY0A*	54501-1JY0A*
54500-EW000*	54501-EW000*

Application info

Cube (Z12) (09/06--)
 NV200 (02/10--)

Ball joint
36-16 010 0000
 54500-JD000*

Notes

Front Axle Left
 Front Axle Right
 Lower
 Outer Diameter [mm] 41
 with accessories

References

40160-9W200*	54501-BB00A*
54500-BB00A*	54501-BR30A*
54500-BR30A*	54501-JD000*
54500-JD000*	54501-JG000*



36-16 010 0000
54500-JD000*

Ball joint

Application info

Murano (Z50) (08/03--)
Qashqai (02/07--)

X-Trail (T31) (06/07--)

16-16 010 4264
54501-00QAH

Ball joint



Notes

Flange Hole Diameter [mm]

Front Axle Left
Front Axle Right
Lower
10
with accessories

References

54501-00QAH

Application info

Kubistar (08/03--)

36-16 010 0049
54501-2U711*

Ball joint



Notes

Thread Size
Outer Diameter [mm]

Front Axle Left
Front Axle Right
Lower
M12x1,25
35
with accessories

References

54500-2U711*
54500-6F600*

54501-2U711*
54501-6F600*

Application info

Micra (K11) (01/92-02/03)

Ball joint



16-16 010 0005/HD
54502-00QAA

Notes

Reinforced Version

Front Axle Left
 Front Axle Right
 Lower
 10
 M16x1,5
 with accessories

Flange Hole Diameter [mm]
 Thread Size

References

54502-00QAA

54503-00QAA



Application info

Primastar (03/01--)

Ball joint

36-16 010 0044
54570-AX600*

Notes

Outer Diameter [mm]

Front Axle Left
 Front Axle Right
 Lower
 38
 with accessories

References

40160-AX000
 54501-AX600*
 54501-BC42A*

54570-AX600*
 6040 135 517



Application info

Micra (K12) (01/03--)

Note (03/06--)

Ball joint

16-16 010 0019

Notes

Thread Size

Front Axle Left
 Front Axle Right
 Lower
 M16x1,5



Application info

NV400 (11/11--)

16-16 050 0028
545000QAC

Control arm



Notes

Front Axle Right
Lower
Control Arm
with ball joint
with rubber mounting
Steel

References

545000QAC
545000QAD

545000QAE

Parts list

16-16 010 0009
614 610 0005
614 610 0006

Ball joint
Control arm bushing
Control arm bushing

Counterpart

16-16 050 0027

Application info

Interstar (07/02--)

16-16 050 0007/HD
54500-00QAH

Control arm



Notes

Reinforced Version

Front Axle Right
Lower
Control Arm
with ball joint
with rubber mounting
Sheet Steel

References

54500-00QAH

Parts list

16-16 010 4264
16-14 610 0013/HD

Ball joint
Control arm bushing

Counterpart

16-16 050 0008/HD

Application info

Kubistar (08/03--)

Control arm
36-16 050 0047
 54500-0M010

Notes

 Front Axle Right
 Lower
 Control Arm
 with ball joint
 with rubber mounting
 M14x1,5
 Sheet Steel

Thread Size
References

 54500-0M010
 54500-0M020

54500-0M060

Parts list

 36-16 010 0039
 36-14 610 0008
 36-14 545 0004

 Ball joint
 Mount, control arm
 Control arm bushing

Counterpart

36-16 050 0048


Application info

Almera I/Pulsar I (07/95-07/00)

Control arm
36-16 050 0063
 54500-21B00

Notes

 Front Axle Right
 Lower
 Control Arm
 with rubber mounting
 with ball joint
 M10x1,25
 Sheet Steel

Thread Size
References

54500-21B00

Counterpart

36-16 050 0064


Application info

Micra (K10) (12/82-11/92)

36-16 050 0055
54500-2F500

Control arm



Notes

Front Axle Right
Lower
Control Arm
with rubber mounting
with ball joint
M14x1,5
Sheet Steel

Thread Size

References

54500-2F500

Parts list

36-16 010 0006
36-14 545 0004

Ball joint
Control arm bushing

Counterpart

36-16 050 0056

Application info

Primera (P11, WP11) (06/96-07/02)

36-16 050 0084
54500-2U711

Control arm



Notes

Front Axle Right
Lower
Control Arm
with ball joint
with rubber mounting
M12x1,25
Sheet Steel

Thread Size

References

54500-2U711

54500-6F600

Parts list

36-16 010 0049
36-14 050 0001
36-14 050 0002

Ball joint
Mount, control arm
Control arm bushing

Counterpart

36-16 050 0083

Application info

Micra (K11) (01/92-02/03)

Control arm
36-16 050 0046
 54500-4F105

Notes

 Front Axle Right
 Lower
 Control Arm
 with ball joint
 with rubber mounting
 M12x1,25
 Sheet Steel

Thread Size
References

 54500-44B00
 54500-4F102

 54500-4F105
 54500-4F150

Parts list

 36-16 010 0040
 36-14 050 0001
 36-14 050 0002

 Ball joint
 Mount, control arm
 Control arm bushing

Counterpart

36-16 050 0045


Application info

Micra (K11) (01/92-02/03)

Control arm
36-16 050 0068
 54500-4M410

Notes

 Front Axle Right
 Lower
 Control Arm
 with ball joint
 with rubber mounting
 M14x1,5
 Sheet Steel

Thread Size
References

 54500-4M400
 54500-4M410
 54500-4M411

 54500-BM410
 54500-F4600

Parts list

 36-16 010 0043
 36-14 610 0011

 Ball joint
 Mount, control arm

Counterpart

36-16 050 0069


Application info

Almera II (01/00-)

36-16 050 0029
54500-52Y70

Control arm



Notes

Front Axle Right
Lower
Control Arm
with ball joint
with rubber mounting
M14x1,5
Sheet Steel

Thread Size

References

54500-52Y10
54500-52Y15
54500-52Y60

54500-52Y70
54500-69Y10

Parts list

36-16 010 0039
36-14 610 0008

Ball joint
Mount, control arm

Counterpart

36-16 050 0030

Application info

100 NX (03/90-01/96)

Sunny (B13, N14, Y10) (05/90-03/00)

36-16 050 0074
54500-5U300

Control arm



Notes

Front Axle Right
Lower
Control Arm
with ball joint
with rubber mounting
Sheet Steel

References

54500-4U002
54500-4U201

54500-5U300
54500-BU000

Parts list

36-16 010 0045

Ball joint

Counterpart

36-16 050 0073

Application info

Almera Tino (08/00--)

Control arm
36-16 050 0080
 54500-7C350

Notes

 Front Axle Right
 Lower
 Control Arm
 with ball joint
 with rubber mounting
 M14x1,5
 Sheet Steel

Thread Size
References

54500-7C350

Counterpart

36-16 050 0079


Application info

Serena (C23M) (07/92-09/01)

Vanette (C23) (09/94--)

Control arm
36-16 050 0049
 54500-86J00

Notes

 Front Axle Right
 Lower
 Control Arm
 with ball joint
 with rubber mounting
 M14x1,5
 Sheet Steel

Thread Size
References

 54500-50J00
 54500-50J10

 54500-50J25
 54500-86J00

Parts list

 36-16 010 0006
 36-14 610 0003
 36-14 545 0004

 Ball joint
 Mount, control arm
 Control arm bushing

Counterpart

36-16 050 0050


Application info

Primera (P10, W10) (06/90-03/98)

36-16 050 0082
54500-8H31A

Control arm



Notes

Front Axle Right
Lower
Control Arm
with rubber mounting
with ball joint
M14x1,5
Aluminium

Thread Size

References

54500-8H310

54500-8H31A

Parts list

36-14 610 0000
36-14 610 0001

Control arm bushing
Control arm bushing

Counterpart

36-16 050 0081

Application info

X-Trail (T30) (06/01--)

36-16 050 0075
54500-AV600

Control arm



Notes

Front Axle Right
Lower
Control Arm
with ball joint
with rubber mounting
M14x1,5
Sheet Steel

Thread Size

References

54500-AV600
54500-AV606

54500-AV60C

Parts list

36-16 010 0045

Ball joint

Counterpart

36-16 050 0078

Application info

Primera (P12, WP12) (01/02--)

Control arm
36-16 050 0008
 54500-BB00A

Notes

 Front Axle Right
 Lower
 Control Arm
 with rubber mounting
 with ball joint
 Sheet Steel

References

 54500-BB00A 54500-JD000
 54500-BR30A

Parts list

 36-16 010 0000 Ball joint
 36-14 610 0009 Control arm bushing
 36-14 610 0010 Control arm bushing

Counterpart

36-16 050 0007


Application info

Qashqai (02/07--)

X-Trail (T31) (06/07--)

Control arm
36-16 050 0086
 54500-BC42A

Notes

 Front Axle Right
 Lower
 Control Arm
 with ball joint
 with rubber mounting
 Sheet Steel

References

 54500-AX600 54500-BC42A
 54500-BC41A 54560-AX600

Parts list

 36-16 010 0044 Ball joint
 16-14 610 0004 Control arm bushing
 36-14 610 0002 Control arm bushing

Counterpart

36-16 050 0085


Application info

Micra (K12) (01/03--)

Note (03/06--)

16-16 050 0027
5450100QAC

Control arm



Notes

Front Axle Left
Lower
Control Arm
with ball joint
with rubber mounting
Steel

References

5450100QAC
5450100QAD

5450100QAE

Parts list

16-16 010 0009
614 610 0005
614 610 0006

Ball joint
Control arm bushing
Control arm bushing

Counterpart

16-16 050 0028

Application info

Interstar (07/02--)

16-16 050 0008/HD
54501-00QAH

Control arm



Notes

Reinforced Version

Front Axle Left
Lower
Control Arm
with ball joint
with rubber mounting
Sheet Steel

References

54501-00QAH

Parts list

16-16 010 4264
16-14 610 0013/HD

Ball joint
Control arm bushing

Counterpart

16-16 050 0007/HD

Application info

Kubistar (08/03--)

Control arm

36-16 050 0048
 54501-0M010

Notes

Front Axle Left
 Lower
 Control Arm
 with ball joint
 with rubber mounting
 M14x1,5
 Sheet Steel

Thread Size

References

54501-0M010

Parts list

36-16 010 0039
 36-14 610 0008
 36-14 545 0004

Ball joint
 Mount, control arm
 Control arm bushing

Counterpart

36-16 050 0047



Application info

Almera I/Pulsar I (07/95-07/00)

Control arm

36-16 050 0064
 54501-21B00

Notes

Front Axle Left
 Lower
 Control Arm
 with rubber mounting
 with ball joint
 M10x1,25
 Sheet Steel

Thread Size

References

54501-21B00

Counterpart

36-16 050 0063



Application info

Micra (K10) (12/82-11/92)

36-16 050 0056
54501-2F500

Control arm



Notes

Front Axle Left
Lower
Control Arm
with rubber mounting
with ball joint
M14x1,5
Sheet Steel

Thread Size

References

54501-2F500

Parts list

36-16 010 0006
36-14 545 0004

Ball joint
Control arm bushing

Counterpart

36-16 050 0055

Application info

Primera (P11, WP11) (06/96-07/02)

36-16 050 0083
54501-2U711

Control arm



Notes

Front Axle Left
Lower
Control Arm
with ball joint
with rubber mounting
M12x1,25
Sheet Steel

Thread Size

References

54501-2U711

54501-6F600

Parts list

36-16 010 0049
36-14 050 0001
36-14 050 0002

Ball joint
Mount, control arm
Control arm bushing

Counterpart

36-16 050 0084

Application info

Micra (K11) (01/92-02/03)

Control arm
36-16 050 0045
 54501-4F105

Notes

 Front Axle Left
 Lower
 Control Arm
 with ball joint
 with rubber mounting
 M12x1,25
 Sheet Steel

Thread Size
References

 54501-44B00 54501-4F105
 54501-4F102 54501-4F150

Parts list

 36-16 010 0040 Ball joint
 36-14 050 0001 Mount, control arm
 36-14 050 0002 Control arm bushing

Counterpart

36-16 050 0046


Application info

Micra (K11) (01/92-02/03)

Control arm
36-16 050 0069
 54501-4M410

Notes

 Front Axle Left
 Lower
 Control Arm
 with ball joint
 with rubber mounting
 M14x1,5
 Sheet Steel

Thread Size
References

 54501-4M400 54501-BM410
 54501-4M410 54501-F4600
 54501-4M411

Parts list

 36-16 010 0043 Ball joint
 36-14 610 0011 Mount, control arm

Counterpart

36-16 050 0068


Application info

Almera II (01/00-)

36-16 050 0030
54501-52Y70

Control arm



Notes

Front Axle Left
Lower
Control Arm
with ball joint
with rubber mounting
M14x1,5
Sheet Steel

Thread Size

References

54501-52Y10
54501-52Y15
54501-52Y60

54501-52Y70
54501-69Y10

Parts list

36-16 010 0039
36-14 610 0008

Ball joint
Mount, control arm

Counterpart

36-16 050 0029

Application info

100 NX (03/90-01/96)

Sunny (B13, N14, Y10) (05/90-03/00)

36-16 050 0073
54501-5U300

Control arm



Notes

Front Axle Left
Lower
Control Arm
with ball joint
with rubber mounting
Sheet Steel

References

54501-4U002
54501-4U201

54501-5U300
54501-BU000

Parts list

36-16 010 0045

Ball joint

Counterpart

36-16 050 0074

Application info

Almera Tino (08/00--)

Control arm
36-16 050 0079
 54501-7C350

Notes

 Front Axle Left
 Lower
 Control Arm
 with ball joint
 with rubber mounting
 M14x1,5
 Sheet Steel

Thread Size

References

54501-7C350

Counterpart

36-16 050 0080


Application info

Serena (C23M) (07/92-09/01)

Vanette (C23) (09/94--)

Control arm
36-16 050 0050
 54501-86J00

Notes

 Front Axle Left
 Lower
 Control Arm
 with ball joint
 with rubber mounting
 M14x1,5
 Sheet Steel

Thread Size

References

54501-50J00

54501-50J25

54501-50J10

54501-86J00

Parts list

36-16 010 0006

Ball joint

36-14 610 0003

Mount, control arm

36-14 545 0004

Control arm bushing

Counterpart

36-16 050 0049


Application info

Primera (P10, W10) (06/90-03/98)

36-16 050 0081
54501-8H31A

Control arm



Notes

Front Axle Left
Lower
Control Arm
with rubber mounting
with ball joint
M14x1,5
Aluminium

Thread Size

References

54501-8H310

54501-8H31A

Parts list

36-14 610 0000
36-14 610 0001

Control arm bushing
Control arm bushing

Counterpart

36-16 050 0082

Application info

X-Trail (T30) (06/01--)

36-16 050 0078
54501-AV600

Control arm



Notes

Front Axle Left
Lower
Control Arm
with ball joint
with rubber mounting
M14x1,5
Sheet Steel

Thread Size

References

54501-AV600
54501-AV606

54501-AV60A
54501-AV60C

Parts list

36-16 010 0045

Ball joint

Counterpart

36-16 050 0075

Application info

Primera (P12, WP12) (01/02--)

Control arm
36-16 050 0007
 54501-BB00A

Notes

 Front Axle Left
 Lower
 Control Arm
 with rubber mounting
 with ball joint
 Sheet Steel

References

 54501-BB00A 54501-JD000
 54501-BR30A 54501-JG000

Parts list

 36-16 010 0000 Ball joint
 36-14 610 0009 Control arm bushing
 36-14 610 0010 Control arm bushing

Counterpart

36-16 050 0008


Application info

Qashqai (02/07--)

X-Trail (T31) (06/07--)

Control arm
36-16 050 0085
 54501-BC42A

Notes

 Front Axle Left
 Lower
 Control Arm
 with ball joint
 with rubber mounting
 Sheet Steel

References

 54501-AX600 54501-BC42A
 54501-BC41A 54570-AX600

Parts list

 36-16 010 0044 Ball joint
 16-14 610 0004 Control arm bushing
 36-14 610 0002 Control arm bushing

Counterpart

36-16 050 0086


Application info

Micra (K12) (01/03--)

Note (03/06--)

16-16 050 0026
54502-00Q0C

Control arm



Notes

Front Axle Right
Lower
Control Arm
with ball joint
with rubber mounting
Sheet Steel

References

54502-00Q0C

Parts list

16-16 010 0010
16-14 610 0001
16-14 610 0002

Ball joint
Control arm bushing
Control arm bushing

Counterpart

16-16 050 0025

Application info

Primastar (03/01--)

16-16 050 0018/HD
54502-00QAA

Control arm



Notes

Reinforced Version

Front Axle Right
Lower
Control Arm
with rubber mounting
with ball joint
Sheet Steel

References

54502-00QAA

54502-00QAB

Parts list

16-16 010 0005/HD
16-14 610 0001
16-14 610 0002

Ball joint
Control arm bushing
Control arm bushing

Counterpart

16-16 050 0017/HD

Application info

Primastar (03/01--)

Control arm
16-16 050 0025
 54503-00Q0C

Notes

 Front Axle Left
 Lower
 Control Arm
 with ball joint
 with rubber mounting
 Sheet Steel

References

54503-00Q0C

Parts list

16-16 010 0010	Ball joint
16-14 610 0001	Control arm bushing
16-14 610 0002	Control arm bushing

Counterpart

16-16 050 0026


Application info

Primastar (03/01--)

Control arm

16-16 050 0017/HD
 54503-00QAA

Notes

Reinforced Version

 Front Axle Left
 Lower
 Control Arm
 with ball joint
 with rubber mounting
 Sheet Steel

References

54503-00QAA

54503-00QAB

Parts list

16-16 010 0005/HD	Ball joint
16-14 610 0001	Control arm bushing
16-14 610 0002	Control arm bushing

Counterpart

16-16 050 0018/HD


Application info

Primastar (03/01--)

36-16 050 0076
54524-AV60A

Control arm



Notes

Front Axle Right
Upper
Control Arm
with ball joint
M12x1,25
Steel

Thread Size

References

54524-AV600
54524-AV601

54524-AV60A

Counterpart

36-16 050 0077

Application info

Primera (P12, WP12) (01/02--)

36-16 050 0022
54524-EB30A

Control arm

Notes

Front Axle Right
Upper
Control Arm
with ball joint
with rubber mounting
M14x1,5
Sheet Steel

Thread Measurement 1

References

54524-EB300

54524-EB30A

Parts list

36-16 010 0023
36-14 610 0012
36-14 610 0023

Ball joint
Control arm bushing
Control arm bushing

Counterpart

36-16 050 0021

Application info

Navara (D40) (10/04--)

Pathfinder (R51) (01/05--)

Control arm
36-16 050 0077
 54525-AV60A

Notes

Thread Size Front Axle Left
 Upper
 Control Arm
 with ball joint
 M12x1,25
 Steel

References

54525-AV600
 54525-AV601 54525-AV60A

Counterpart

36-16 050 0076


Application info

Primera (P12, WP12) (01/02--)

Control arm
36-16 050 0021
 54525-EB30A

Notes

Thread Size Front Axle Left
 Upper
 Control Arm
 with ball joint
 with rubber mounting
 M14x1,5
 Sheet Steel

References

54525-EB300 54525-EB30A

Parts list

36-16 010 0023 Ball joint
 36-14 610 0012 Control arm bushing
 36-14 610 0023 Control arm bushing

Counterpart

36-16 050 0022

Application info

Navara (D40) (10/04--)

Pathfinder (R51) (01/05--)

36-16 050 0037
55110-8H505

Control arm



Notes

Rear Axle Left
Rear Axle Right
Lower
Control Arm
with rubber mounting
366
Sheet Steel

Length [mm]

References

55110-8H505

Application info

X-Trail (T30) (06/01--)

36-16 050 0040
55120-8H500

Control arm



Notes

Rear Axle Right
Front
Control Arm
with rubber mounting
393
Sheet Steel

Length [mm]

References

55120-8H500

Counterpart

36-16 050 0041

Application info

X-Trail (T30) (06/01--)

36-16 050 0041
55120-8H505

Control arm



Notes

Rear Axle Left
Front
Control Arm
with rubber mounting
393
Sheet Steel

Length [mm]

References

55120-8H505

Counterpart

36-16 050 0040

Control arm
36-16 050 0041
 55120-8H505

Application info
 X-Trail (T30) (06/01--)

Control arm bushing
614 610 0006
 54423-00QAA

Notes

	Front Axle Left
	Front Axle Right
	Rear
	Lower
Height [mm]	79
Outer Diameter [mm]	55
Inner Diameter [mm]	28

References

54423-00QAA


Application info

Interstar (07/02--)

Control arm bushing
36-14 050 0002
 54500-4F105*

Notes

	Front Axle Left
	Front Axle Right
	Lower
Height [mm]	47
Inner Diameter [mm]	12

References

54500-2U711*	54501-44B00*
54500-44B00*	54501-4F102*
54500-4F102*	54501-4F105*
54500-4F105*	54501-4F150*
54500-4F150*	54501-6F600*
54500-6F600*	54560-17B01
54501-2U711*	


Application info

Micra (K11) (01/92-02/03)

36-14 610 0000
54500-8H31A*

Control arm bushing



Notes

Front Axle Left
Front Axle Right
Lower
Rear
28

Inner Diameter [mm]

References

54500-8H310*	54501-8H310*
54500-8H31A*	54501-8H31A*

Application info

X-Trail (T30) (06/01--)

36-14 610 0001
54500-8H31A*

Control arm bushing



Notes

Front Axle Left
Front Axle Right
Lower
Front
55
39
14

Length [mm]
Outer Diameter [mm]
Inner Diameter [mm]

References

54500-8H310	54501-8H310
54500-8H31A*	54501-8H31A*

Application info

X-Trail (T30) (06/01--)

36-14 610 0009
54500-JD000*

Control arm bushing



Notes

Front Axle Left
Front Axle Right
Lower
Front
115
33

Length [mm]
Outer Diameter [mm]

References

54500-BB00A*	54501-BR30A*
54500-BR30A*	54501-JD000*
54500-JD000*	54501-JG000*
54501-BB00A*	

Control arm bushing
36-14 610 0009
 54500-JD000*

Application info

Qashqai (02/07--)

X-Trail (T31) (06/07--)

Control arm bushing
36-14 610 0010
 54500-JD000*

Notes

	Front Axle Left
	Front Axle Right
	Lower
	Rear
Height [mm]	53
Outer Diameter [mm]	58
Inner Diameter [mm]	12

References

54500-1KA0B*	54501-BB00A*
54500-BB00A*	54501-BR30A*
54500-BR30A*	54501-JD000*
54500-JD000*	54501-JG000*
54501-1KA0B*	


Application info

Juke (06/10--)

Qashqai (02/07--)

X-Trail (T31) (06/07--)

Control arm bushing
16-14 610 0001
 54502-00QAA*

Notes

	Front Axle Left
	Front Axle Right
	Front
	Lower
Height [mm]	50
Outer Diameter [mm]	55
Inner Diameter [mm]	18

References

54502-00QAA*	54503-00QAA*
--------------	--------------


Application info

Primastar (03/01--)

7

16-14 610 0002
54502-00QAA*

Control arm bushing



Notes

	Front Axle Left
	Front Axle Right
	Rear
	Lower
Height [mm]	54
Outer Diameter [mm]	58
Inner Diameter [mm]	15

References

54502-00QAA*	54503-00QAA*
--------------	--------------

Application info

Primastar (03/01--)

36-14 610 0012
54524-EB30A*

Control arm bushing

Notes

	Front Axle Left
	Front Axle Right
	Upper inner
Height [mm]	55
Outer Diameter [mm]	43
Inner Diameter [mm]	14

References

54524-EB30A*	54525-EB30A*
--------------	--------------

Application info

Navara (D40) (10/04--)

Pathfinder (R51) (01/05--)

16-14 610 0013/HD
54560-00QAB*

Control arm bushing



Notes

Reinforced Version

	Front Axle Left
	Front Axle Right
	Lower inner
Height [mm]	46
Outer Diameter [mm]	45
Inner Diameter [mm]	12

References

54560-00QAB*

Application info

Kubistar (08/03--)

Control arm bushing
16-14 610 0004
 54560-AX600

Notes

	Front Axle Left
	Front Axle Right
	Front
	Lower
Height [mm]	55
Outer Diameter [mm]	40
Inner Diameter [mm]	12

References

54560-AX600


Application info

Micra (K12) (01/03--)

Note (03/06--)

Control arm bushing
614 610 0005
 54570-00QAA

Notes

	Front Axle Left
	Front Axle Right
	Front
	Lower
Height [mm]	79
Outer Diameter [mm]	55
Inner Diameter [mm]	28

References

54570-00QAA


Application info

Interstar (07/02--)

Control arm bushing
36-14 610 0002
 54570-AX600

Notes

	Front Axle Right
	Front Axle Left
	Lower
	Rear
Height [mm]	53
Outer Diameter [mm]	58
Inner Diameter [mm]	12

References

54570-AX600


Application info

Cube (Z12) (09/06--)

Micra (K12) (01/03--)

Note (03/06--)

NV200 (02/10--)

Tida (08/06--)

Tiida (05/04-06/11)

36-14 545 0004
54590-01E00

Control arm bushing



Notes

Front Axle Left
Front Axle Right
Front
Lower

Height [mm]
Outer Diameter [mm]
Inner Diameter [mm]

50
38
18

References

54590-01E00

Application info

Almera I/Pulsar I (07/95-07/00)
Primera (P10, W10) (06/90-03/98)

Primera (P11, WP11) (06/96-07/02)

36-14 050 0001
54500-4F105*

Mount, control arm



Notes

Front Axle Left
Front Axle Right
Lower

Height [mm]
Inner Diameter [mm]

54
13

References

54476-41B02
54479-41B02
54500-2U711*
54500-44B00*
54500-4F102*
54500-4F105*
54500-4F150*

54500-6F600*
54501-2U711*
54501-44B00*
54501-4F102*
54501-4F105*
54501-4F150*
54501-6F600*

Application info

Micra (K11) (01/92-02/03)

36-14 610 0011
54500-4M500*

Mount, control arm



Notes

Front Axle Left
Front Axle Right
Lower
Rear

Inner Diameter [mm]

21

References

54500-4M500*

54501-4M500*

Mount, control arm
36-14 610 0011
 54500-4M500*

Application info

 Almera II (01/00--)
 +

Mount, control arm
36-14 610 0003
 54500-86J00*

Notes

	Front Axle Left
	Front Axle Right
Inner Diameter [mm]	Rear
	20

References

54500-50J00*	54500-86J00*
54500-50J10*	54570-50J00
54500-50J25	


Application info

Primera (P10, W10) (06/90-03/98)

Mount, control arm
36-14 610 0008
 54570-50Y10

Notes

	Front Axle Left
	Front Axle Right
	Lower
Height [mm]	Rear
Outer Diameter [mm]	65
Inner Diameter [mm]	61
	24

References

54500-0M010*	54570-0M020*
54501-0M010*	54570-50Y10
54570-0M010*	54570-50Y11


Application info

 100 NX (03/90-01/96)
 Almera I/Pulsar I (07/95-07/00)

 Maxima (A32) (03/94--)
 Sunny (B13, N14, Y10) (05/90-03/00)

36-14 653 0000
54500-JD000*

Repair kit, control arm



Notes

Front Axle Left
Front Axle Right

References

54500-BB00A*
54500-BR30A*
54500-JD000*
54501-BB00A*

54501-BR30A*
54501-JD000*
54501-JG000*

Parts list

36-16 010 0000
36-14 610 0009
36-14 610 0010

Ball joint
Control arm bushing
Control arm bushing

Application info

Qashqai (02/07--)

X-Trail (T31) (06/07--)

16-14 615 0010
54613-00QAB

Mount, stabilizer



Notes

Front Axle Left
Front Axle Right
26

Inner Diameter [mm]

References

54613-00QAB

Application info

Interstar (07/02--)

16-14 615 0004
54613-00QAD

Mount, stabilizer



Notes

Front Axle Left
Front Axle Right
21

Inner Diameter [mm]

References

54613-00QAD

Mount, stabilizer
16-14 615 0004
 54613-00QAD

Application info

Kubistar (08/03--)

Mount, stabilizer
614 615 0005
Notes

Inner Diameter [mm]

 Front Axle Left
 Front Axle Right
 23

Application info

Primastar (03/01--)

Repair kit, stabilizer bushing
16-14 079 9404/S
 54616-00QAA

Notes
References

54616-00QAA

 Front Axle Left
 Front Axle Right

Application info

Kubistar (08/03--)

614 615 0006

Repair kit, stabilizer bushing



Notes

Front Axle Left
Front Axle Right
with clamp
with rubber mounting
23

Inner Diameter [mm]

Parts list

614 615 0005

Mount, stabilizer

Application info

Primastar (03/01--)

616 060 0007/HD

54616-00QAB

Stabilizer link



Notes

Reinforced Version

Front Axle Left
130
Front Axle Right
M10x1,5
M10x1,5
Coupling Rod

Length [mm]

Thread Measurement 1

Thread Measurement 2

References

54616-00QAB

Counterpart

616 060 0008/HD

Application info

Interstar (07/02--)

16-16 060 0003/HD

54616-00QAC

Stabilizer link



Notes

Reinforced Version

Front Axle Left
Front Axle Right
280
M10x1,5
M10x1,5
Coupling Rod

Length [mm]

Thread Measurement 1

Thread Measurement 2

References

54616-00QAC

Application info

Primastar (03/01--)

Stabilizer link

616 060 0008/HD
 54618-00QAA

Notes

Reinforced Version

 Length [mm]
 Thread Measurement 1
 Thread Measurement 2

 Front Axle Right
 130
 M10x1,5
 M10x1,5
 Coupling Rod

References

54618-00QAA

Counterpart

616 060 0007/HD


Application info

Interstar (07/02--)

Stabilizer link
36-16 060 0034
 54618-0E000

Notes

 Length [mm]
 Thread Measurement 1
 Thread Measurement 2

 Front Axle Left
 Front Axle Right
 99
 M10x1,25
 M10x1,25
 Coupling Rod
 with accessories

References

54618-0E000


Application info

Maxima (A32) (03/94--)

Stabilizer link
36-16 060 0022
 54618-0F000

Notes

 Length [mm]
 Thread Measurement 1
 Thread Measurement 2

 Front Axle Left
 Front Axle Right
 90
 M12x1,25
 M12x1,25
 Coupling Rod
 with accessories

References

54618-0F000

54618-MB40A


Application info

Terrano II (10/92--)

36-16 060 0047/HD
54618-1AA0A

Stabilizer link



Notes

Reinforced Version	Front Axle Right
Length [mm]	299
Thread Measurement 1	M12x1,75
Thread Measurement 2	M12x1,75
	Coupling Rod

References

54618-1AA0A	54618-JD00A
-------------	-------------

Counterpart

36-16 060 0046/HD

Application info

Murano (Z51) (11/07--)
Qashqai (02/07--)

X-Trail (T31) (06/07--)

36-16 060 0011
54618-2F010

Stabilizer link



Notes

Length [mm]	165
Thread Measurement 1	M10x1,25
Thread Measurement 2	M10x1,5
	Coupling Rod with accessories

References

54618-2F010	54618-58Y21
54618-50J11	54618-58Y60
54618-50J20	54618-86J00
54618-54Y10	54618-86J25
54618-58Y10	54618-90J11
54618-58Y20	56260-01J10

Application info

100 NX (03/90-01/96)
Patrol GRI (08/87-02/98)
Primera (P10, W10) (06/90-03/98)

Primera (P11, WP11) (06/96-07/02)
Sunny (B13, N14, Y10) (05/90-03/00)

36-16 060 0014
54618-47B01

Stabilizer link



Notes

	Front Axle Left
	Front Axle Right
Length [mm]	105
Thread Measurement 1	M8x1,25
	Coupling Rod with accessories

References

54618-47B00	54618-47B0A
54618-47B01	

Stabilizer link
36-16 060 0014
 54618-47B01

Application info

Micra (K11) (01/92-02/03)

Stabilizer link
36-16 060 0029
 54618-4M400

Notes

 Length [mm]
 Thread Measurement 1
 Thread Measurement 2

 Front Axle Left
 Front Axle Right
 91
 M10x1,25
 M10x1,25
 Coupling Rod
 with accessories

References

54618-4M400


Application info

Almera II (01/00--)

Stabilizer link
36-16 060 0007/S
 54618-50Y00

Notes

 Length [mm]
 Thread Measurement 1
 Thread Measurement 2

 Front Axle Left
 Front Axle Right
 85
 M10x1,25
 M10x1,25
 Coupling Rod
 with accessories

References

 54618-4M400
 54618-50Y00
 54618-58820

 54618-D5000
 54618-D5010

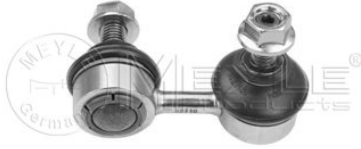
Application info

 100 NX (03/90-01/96)
 300 SX (01/84-10/90)
 Almera I/Pulsar I (07/95-07/00)
 Bluebird (U11, WU11) (11/83-09/90)
 Bluebird D (T72, T12) (12/85-11/92)

 Maxima (J30) (10/88-02/95)
 Prairie Pro (M11) (10/88-07/94)
 Primera (P10, W10) (06/90-03/98)
 Sunny (B12, N13) (01/86-10/91)
 Sunny (B13, N14, Y10) (05/90-03/00)

36-16 060 0030/HD
54618-8H300

Stabilizer link



Notes

Reinforced Version

Length [mm]
Thread Measurement 1
Thread Measurement 2

Front Axle Right
65
M12x1,75
M12x1,75
Coupling Rod

References

54618-8H300

Counterpart

36-16 060 0031/HD

Application info

X-Trail (T30) (06/01--)

36-16 060 0028/HD
54618-9C002

Stabilizer link



Notes

Reinforced Version

Length [mm]
Thread Measurement 1
Thread Measurement 2

Front Axle Right
131
M12x1,75
M12x1,75
Coupling Rod

References

54618-9C002

Counterpart

36-16 060 0027/HD

Application info

Serena (C23M) (07/92-09/01)

Vanette (C23) (09/94--)

36-16 060 0025
54618-AU000

Stabilizer link



Notes

Length [mm]
Thread Measurement 1
Thread Measurement 2

Front Axle Right
65
M10x1,25
M10x1,25
Coupling Rod

References

54618-AU000

Counterpart

36-16 060 0023

Stabilizer link
36-16 060 0025
 54618-AU000

Application info

Primera (P12, WP12) (01/02--)

Stabilizer link

35-16 060 0021/HD
 54618-BC40A

Notes

Reinforced Version	
Length [mm]	250
Thread Measurement 1	M10x1,5
Thread Measurement 2	M10x1,5
	Coupling Rod

References

54618-9U00A	54618-BC40A
54618-AX600	


Application info

 Micra (K12) (01/03--)
 Note (03/06--)

 NV200 (02/10--)
 Tida (08/06--)

Stabilizer link

36-16 060 0037/HD
 54618-BU70A

Notes

Reinforced Version	
Length [mm]	Front Axle Right
	65
Thread Measurement 1	M12x1,75
Thread Measurement 2	M12x1,75
	Coupling Rod

References

54618-4U000	54618-BU70A
-------------	-------------

Counterpart

36-16 060 0040/HD


Application info

Almera Tino (08/00--)

36-16 060 0016
54618-CA000

Stabilizer link



Notes

Length [mm]
Thread Measurement 1
Thread Measurement 2

Front Axle Right
310
M12x1,25
M12x1,25
Coupling Rod

References

54618-CA000

54618-CA00E

Counterpart

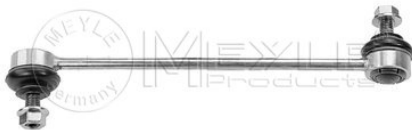
36-16 060 0017

Application info

Murano (Z50) (08/03--)

30-16 060 0017/HD
54618-CY00A

Stabilizer link



Notes

Reinforced Version

Length [mm]
Thread Measurement 1
Thread Measurement 2

Front Axle Left
Front Axle Right
285
M12x1,75
M12x1,75
Coupling Rod

References

54618-CY00A

Application info

Juke (06/10--)

36-16 060 0008
54618-EA010

Stabilizer link



Notes

Length [mm]
Thread Measurement 1
Thread Measurement 2

Front Axle Right
65
M12x1,25
M12x1,25
Coupling Rod

References

54618-EA010

Counterpart

36-16 060 0007

Application info

Navara (D40) (10/04--)

Pathfinder (R51) (01/05--)

Stabilizer link
36-16 060 0006
 54618VB000

Notes

 Length [mm]
 Thread Measurement 1
 Thread Measurement 2

 Front Axle Left
 Front Axle Right
 162
 M12x1,25
 M10x1,25
 Coupling Rod
 with accessories

References

54618VB000


Application info

Patrol GR II (06/97--)

Stabilizer link

36-16 060 0031/HD
 54668-8H300

Notes

Reinforced Version

 Length [mm]
 Thread Measurement 1
 Thread Measurement 2

 Front Axle Left
 65
 M12x1,75
 M12x1,75
 Coupling Rod

References

54668-8H300

Counterpart

36-16 060 0030/HD


Application info

X-Trail (T30) (06/01--)

Stabilizer link

36-16 060 0027/HD
 54668-9C000

Notes

Reinforced Version

 Length [mm]
 Thread Measurement 1
 Thread Measurement 2

 Front Axle Left
 131
 M12x1,75
 M12x1,75
 Coupling Rod

References

54618-9C000

54668-9C000

Counterpart

36-16 060 0028/HD



36-16 060 0027/HD
54668-9C000

Stabilizer link



Application info

Serena (C23M) (07/92-09/01)

Vanette (C23) (09/94--)

36-16 060 0023
54668-AU000

Stabilizer link



Notes

Length [mm]
Thread Measurement 1
Thread Measurement 2

Front Axle Left
65
M10x1,25
M10x1,25
Coupling Rod

References

54668-AU000

Counterpart

36-16 060 0025

Application info

Primera (P12, WP12) (01/02--)

36-16 060 0040/HD
54668-BU70A

Stabilizer link



Notes

Reinforced Version

Length [mm]
Thread Measurement 1
Thread Measurement 2

Front Axle Left
65
M12x1,75
M12x1,75
Coupling Rod

References

54668-4U000

54668-BU70A

Counterpart

36-16 060 0037/HD

Application info

Almera Tino (08/00--)

Stabilizer link
36-16 060 0017
 54668-CA000

Notes

Length [mm]	Front Axle Left
Thread Measurement 1	310
Thread Measurement 2	M12x1,25
	M12x1,25
	Coupling Rod

References

54668-CA000	54668-CA00E
-------------	-------------

Counterpart

36-16 060 0016


Application info

Murano (Z50) (08/03--)

Stabilizer link
36-16 060 0007
 54668-EA010

Notes

Length [mm]	Front Axle Left
Thread Measurement 1	65
Thread Measurement 2	M12x1,25
	M12x1,25
	Coupling Rod

References

54668-EA010

Counterpart

36-16 060 0008


Application info

Navara (D40) (10/04--)

Pathfinder (R51) (01/05--)

Stabilizer link

36-16 060 0046/HD
 54668-JD00A

Notes

Reinforced Version	Front Axle Left
Length [mm]	299
Thread Measurement 1	M12x1,75
Thread Measurement 2	M12x1,75
	Coupling Rod

References

54668-1AA0A	54668-JD00A
-------------	-------------

Counterpart

36-16 060 0047/HD



36-16 060 0046/HD
54668-JD00A

Stabilizer link



Application info

Murano (Z51) (11/07--)
Qashqai (02/07--)

X-Trail (T31) (06/07--)

36-16 060 0048
55618-JD00A

Stabilizer link

Notes

Rear Axle Right
Coupling Rod

References

55618-JD00A

55618-JY00B

Counterpart

36-16 060 0049

Application info

Qashqai (02/07--)

X-Trail (T31) (06/07--)

36-16 060 0049
55619-JD00A

Stabilizer link

Notes

Rear Axle Left
Coupling Rod

References

55619-JD00A

55619-JY00B

Counterpart

36-16 060 0048

Application info

Qashqai (02/07--)

X-Trail (T31) (06/07--)

Stabilizer link
36-16 060 0035
 56260-51E15

Notes

Rear Axle Left
 Rear Axle Right
 Length [mm] 101
 Thread Measurement 1 M10x1,25
 Thread Measurement 2 M10x1,25
 Coupling Rod

References

56260-51E15


Application info

Maxima (J30) (10/88-02/95)

Stabilizer link

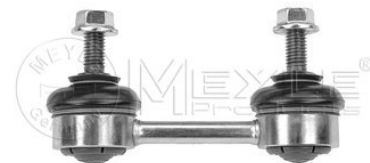
36-16 060 0001/HD
 56261-6F600

Notes

Reinforced Version
 Rear Axle Left
 Rear Axle Right
 Length [mm] 90
 Thread Measurement 1 M10x1,5
 Thread Measurement 2 M10x1,5
 Coupling Rod

References

56261-47B01 56261-6F600
 56261-4F702 56261-OE000
 56261-4F725


Application info

Micra (K11) (01/92-02/03)

Stabilizer link
36-16 060 0004
 56261-86J00

Notes

Rear Axle Left
 Rear Axle Right
 Length [mm] 115
 Thread Measurement 1 M10x1,5
 Thread Measurement 2 M10x1,5
 Coupling Rod

References

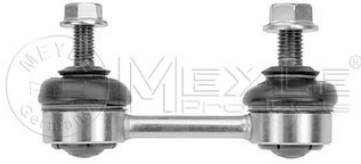
56261-86J00 56261-90J01
 56261-86J25


Application info

Primera (P10, W10) (06/90-03/98)

36-16 060 0026/HD
56261-AV611

Stabilizer link



Notes

Reinforced Version

Length [mm]
Thread Measurement 1
Thread Measurement 2

Rear Axle Left
Rear Axle Right
90
M10x1,5
M12x1,75
Coupling Rod

References

56261-0E000

56261-AV611

Application info

Primera (P12, WP12) (01/02--)

36-16 060 0002
56261-EA500

Stabilizer link



Notes

Length [mm]
Thread Measurement 1
Thread Measurement 2

Rear Axle Right
65
M12x1,25
M12x1,25
Coupling Rod

References

56261-EA500

Counterpart

36-16 060 0003

Application info

Pathfinder (R51) (01/05--)

36-16 060 0003
56261-EA510

Stabilizer link



Notes

Length [mm]
Thread Measurement 1
Thread Measurement 2

Rear Axle Left
65
M12x1,25
M12x1,25
Coupling Rod

References

56261-EA510

Counterpart

36-16 060 0002

Application info

Pathfinder (R51) (01/05--)

Stabilizer link

36-16 060 0032/HD
 56261-EQ000

Notes

Reinforced Version	Rear Axle Left Rear Axle Right
Length [mm]	115
Thread Measurement 1	M10x1,5
Thread Measurement 2	M10x1,5 Coupling Rod

References

56261-50J00	56261-EQ000
-------------	-------------


Application info

X-Trail (T30) (06/01--)

Axle support bushing

36-14 710 0000/HD
 55400EQ700*

Notes

Reinforced Version	Rear Axle
Required quantity	4
Height [mm]	75
Outer Diameter [mm]	58
Inner Diameter [mm]	22

References

55400EQ700*	55400ES50A*
-------------	-------------


Application info

X-Trail (T30) (06/01--)

Repair kit, subframe

36-14 710 0001/HD
 55400EQ700*

Notes

Height [mm]	Rear Axle
Outer Diameter [mm]	75
Inner Diameter [mm]	58
Inner Diameter [mm]	22

References

55400EQ700*	55400ES50A*
-------------	-------------

Parts list

36-14 710 0000/HD	Axle support bushing
-------------------	----------------------


Application info

X-Trail (T30) (06/01--)

16-14 640 0000

Dust cover kit, shock absorber



Notes

Front Axle
Kit

Application info

Micra (K12) (01/03--)

Note (03/06--)

36-14 640 0000

Dust cover kit, shock absorber



Notes

Front Axle
Kit

Application info

Primera (P10, W10) (06/90-03/98)

Primera (P11, WP11) (06/96-07/02)

36-14 740 0000

Dust cover kit, shock absorber



Notes

Rear Axle
Kit

Application info

X-Trail (T30) (06/01--)

Dust cover kit, shock absorber
40-14 640 0003
Notes

Kit


Application info

 Cherry (N12) (04/82-10/87)
 Prarie (M10) (12/82-10/88)

Sunny (B11) (03/82-08/90)

Repair kit, strut mount
16-14 641 0016

54320-AX600

Notes

 Front Axle Right
 with ball bearing

References

54320-AX600

54320-BC40A

Counterpart

16-14 641 0015


Application info

Micra (K12) (01/03--)

Repair kit, strut mount
16-14 641 0015

54321-AX600

Notes

 Front Axle Left
 with ball bearing

References

54321-AX600

54321-BC40A

Counterpart

16-14 641 0016


Application info

Micra (K12) (01/03--)

16-14 641 0005/S
54348-00QAA

Repair kit, strut mount



Notes

Front Axle
with ball bearing

References

54310-00QAA
54325-00QAA

54330-00QAA
54348-00QAA

Parts list

16-14 641 0004/S

Strut mount

Application info

Kubistar (08/03--)

16-26 623 0007
54302-00Q0B

Shock absorber

Notes

Front Axle
Twin-Tube
Gas Pressure
Suspension Strut

References

54302-00Q0B

Application info

Primastar (03/01--)

16-26 613 0006
54302-00QAF

Shock absorber



Notes

Front Axle
Twin-Tube
Oil Pressure
Suspension Strut

References

54302-00QAC
54302-00QAD

54302-00QAE
54302-00QAF

Application info

Kubistar (08/03--)

Shock absorber
36-26 623 0017
 54302-37U25

Notes

 Front Axle Right
 Twin-Tube
 Gas Pressure
 Suspension Strut

References

44211-51200	54302-38U12
54302-31U12	54302-38U25
54302-31U25	54302-40U12
54302-31U85	54302-40U85
54302-31U88	54302-44U22
54302-37U12	54302-44U72
54302-37U25	54302-44U74

Counterpart

36-26 623 0016

Application info

Maxima (A32) (03/94--)

Shock absorber
36-26 623 0002
 54302-AX626

Notes

 Front Axle Right
 Twin-Tube
 Gas Pressure
 Suspension Strut

References

54302-AX60K	E43A2-BC60A
54302-AX626	

Counterpart

36-26 623 0003

Application info

Micra (K12) (01/03--)

7

36-26 623 0005
54302-BM485

Shock absorber



Notes

Front Axle Right
Twin-Tube
Gas Pressure
Suspension Strut

References

54302-4Z001	54302-6N225
54302-4Z029	54302-6N2X5
54302-4Z601	54302-95F0B
54302-4Z625	54302-BM418
54302-4Z910	54302-BM485
54302-4Z926	54302-BN421
54302-6N100	54302-BN424
54302-6N125	54302-BN425
54302-6N1X5	54302-BN428
54302-6N200	

Counterpart
36-26 623 0004

Application info
Almera II (01/00--)

36-26 623 0009
54302-EQ026

Shock absorber



Notes

Front Axle Right
Twin-Tube
Gas Pressure
Suspension Strut

References

54302-8H600	54302-8H726
54302-8H625	54302-EQ025
54302-8H700	54302-EQ026
54302-8H725	

Counterpart
36-26 623 0008

Application info
X-Trail (T30) (06/01--)

Shock absorber
36-26 623 0016
 54303-44U75

Notes

 Front Axle Left
 Twin-Tube
 Gas Pressure
 Suspension Strut

References

44212-51200	54303-37U26
54302-43U22	54303-38U13
54302-44U22	54303-38U26
54302-44U72	54303-40U13
54302-44U74	54303-40U85
54303-31U13	54303-43U23
54303-31U27	54303-44U23
54303-31U85	54303-44U28
54303-31U88	54303-44U73
54303-37U13	54303-44U75

Counterpart

36-26 623 0017

Application info

Maxima (A32) (03/94--)

Shock absorber
36-26 623 0003
 54303-AX626

Notes

 Front Axle Left
 Twin-Tube
 Gas Pressure
 Suspension Strut

References

54303-AX60K	54303-AY625
54303-AX626	E43A3-BC60A

Counterpart

36-26 623 0002

Application info

Micra (K12) (01/03--)

7

36-26 623 0004
54303-BM485

Shock absorber



Notes

Front Axle Left
Twin-Tube
Gas Pressure
Suspension Strut

References

54303-4Z001	54303-6N200
54303-4Z029	54303-6N225
54303-4Z601	54303-6N2X5
54303-4Z625	54303-95F0B
54303-4Z910	54303-BM418
54303-4Z926	54303-BM485
54303-6N100	54303-BN424
54303-6N125	54303-BN425
54303-6N1X5	

Counterpart

36-26 623 0005

Application info

Almera II (01/00--)

36-26 623 0008
54303-EQ026

Shock absorber



Notes

Front Axle Left
Twin-Tube
Gas Pressure
Suspension Strut

References

54303-8H600	54303-8H726
54303-8H625	54303-EQ025
54303-8H725	54303-EQ026

Counterpart

36-26 623 0009

Application info

X-Trail (T30) (06/01--)

Shock absorber
36-26 723 0001
 55302-EQ025

Notes

 Rear Axle Right
 Twin-Tube
 Gas Pressure
 Suspension Strut

References

 55302-8H304
 55302-8H326
 55302-8H600

 55302-8H625
 55302-EQ025

Counterpart

36-26 723 0000


Application info

X-Trail (T30) (06/01--)

Shock absorber
36-26 723 0000
 55303-EQ025

Notes

 Rear Axle Left
 Twin-Tube
 Gas Pressure
 Suspension Strut

References

 55303-8H600
 55303-8H625

55303-EQ025

Counterpart

36-26 723 0001


Application info

X-Trail (T30) (06/01--)

36-26 625 0001
56110-22J25

Shock absorber

Notes

Front Axle
Twin-Tube
Gas Pressure
Top pin
Bottom Pin

References

41069-65D11	56110-22J25
41069-65D20	56110-39J00
56100-VB725	56110-39J25
56110-01J00	56110-VB000
56110-01J25	56110-VB010
56110-06J00	56110-VB025
56110-06J25	56110-VB026
56110-21J00	56110-VB700
56110-21J25	56110-VB725
56110-22J00	

Application info

Patrol GR I (08/87-02/98)

Patrol GR II (06/97--)

626 625 0001
56111-00QAA

Shock absorber



Notes

Front Axle
Twin-Tube
Gas Pressure
Top eye
Bottom eye

References

56111-00QAA

Application info

Interstar (07/02--)

626 725 0017
56210-00QAG

Shock absorber



Notes

Rear Axle
Twin-Tube
Gas Pressure
Top eye
Bottom eye

References

56210-00QAD	56210-00QAG
56210-00QAE	

Shock absorber
626 725 0017
 56210-00QAG

Application info
 Interstar (07/02--)
 +

Shock absorber
16-26 725 0002
 56210-00QAK

Notes

 Rear Axle
 Twin-Tube
 Gas Pressure
 Top eye
 Bottom eye

References
 56210-00QAK

Application info
 Kubistar (08/03--)
 +

Shock absorber
36-26 725 0009
 56210-43U27

Notes

 Rear Axle
 Twin-Tube
 Gas Pressure
 Top pin
 Bottom eye

References
 45310-51200
 56210-31U00
 56210-31U25
 56210-36U00
 56210-40U00
 56210-40U25

 56210-40U26
 56210-43U00
 56210-43U01
 56210-43U26
 56210-43U27

Application info
 Maxima (A32) (03/94--)
 +

36-26 725 0005
56210-4M425

Shock absorber



Notes

Rear Axle
Twin-Tube
Gas Pressure
Top pin
Bottom eye

References

56210-4M400	56210-4Z600
56210-4M405	56210-4Z625
56210-4M425	56210-5M400
56210-4M426	56210-5M425
56210-4M427	56210-8M400
56210-4Z000	56210-8M600
56210-4Z005	56210-95F0B
56210-4Z025	56210-M425
56210-4Z027	

Application info

Almera II (01/00--)

36-26 725 0003
56210-BM425

Shock absorber

Notes

Rear Axle
Twin-Tube
Gas Pressure
Top pin
Bottom eye

References

56210-BM400	56210-BM426
56210-BM410	56210-BM427
56210-BM425	56210-BN825

Application info

Almera II (01/00--)

Shock absorber
36-26 623 0013
 E4302-EM30C

Notes

 Front Axle Right
 Twin-Tube
 Gas Pressure
 Suspension Strut

References

54302-CJ40C	54302-EE90A
54302-CJ41C	54302-EF80A
54302-ED001	54302-EL00A
54302-ED002	54302-EM01A
54302-ED025	54302-EM30C
54302-ED501	E4302-EC80A
54302-ED50A	E4302-EE90A
54302-ED50B	E4302-EL00A
54302-ED525	E4302-EM01A
54302-EE50A	E4302-EM20A
54302-EE50B	E4302-EM30C

Counterpart

36-26 623 0012


Application info

Tida (08/06--)

Shock absorber
36-26 623 0012
 E4303-EM30C

Notes

 Front Axle Left
 Twin-Tube
 Gas Pressure
 Suspension Strut

References

54303-CJ40C	54303-EE90A
54303-CJ41C	54303-EF80A
54303-ED001	54303-EL00A
54303-ED002	54303-EM01A
54303-ED025	54303-EM30C
54303-ED501	E4303-EC80A
54303-ED50A	E4303-EE90A
54303ED50B	E4303-EL00A
54303-ED525	E4303-EM01A
54303-EE50A	E4303-EM20A
54303-EE50B	E4303-EM30C

Counterpart

36-26 623 0013


Application info

Tida (08/06--)

36-26 725 0007
E6210-EM20A

Shock absorber



Notes

Rear Axle
Twin-Tube
Gas Pressure
Top pin
Bottom eye

References

56200-ED002	56210-EF80D
56200-ED00A	56210-EF80E
56200-EE90A	56210-EM01A
56200-EF80D	56210-EM20A
56200-EF80E	56210-EM30C
56200-EM01A	56210-EW80C
56200-EM20A	56210-EW90D
56200-EM30C	56210-EX50A
56200-EW80C	E6210-EC80A
56200-EX50A	E6210-ED00A
56210-ED001	E6210-EE90A
56210-ED002	E6210-EM01A
56210-ED00A	E6210-EM20A
56210-ED025	E6210-EM30C
56210-EE90A	

Application info

Tida (08/06--)

36-14 543 0001
54320-50Y12

Strut mount



Notes

Front Axle
with ball bearing

References

54320-50Y12

Application info

100 NX (03/90-01/96)
200 SX (S14) (10/93-12/99)

Almera I/Pulsar I (07/95-07/00)
Sunny (B13, N14, Y10) (05/90-03/00)

Strut mount
36-14 641 0000
 54320-BM40A

Notes

 Front Axle
 with ball bearing

References

54320-BM400

54320-BM40A


Application info

Almera II (01/00--)

Strut mount
16-14 641 0004
 54330-00QAA

Notes

 Front Axle
 without ball bearing

References

54310-00QAA

54325-00QAA

54330-00QAA

54348-00QAA


Application info

Kubistar (08/03--)

Strut mount
16-14 641 0004/S
 54330-00QAA

Notes

 Front Axle
 with ball bearing

References

54310-00QAA

54325-00QAA

54325-00QAA

54330-00QAA

54348-00QAA

543A0-0300R

Parts list

16-14 641 0004

16-14 641 0003

Strut mount

Strut mount bearing


Application info

Kubistar (08/03--)

16-14 641 0003
54325-00QAA

Strut mount bearing



Notes

Height [mm]	9
Outer Diameter [mm]	56
Inner Diameter [mm]	16

References

54325-00QAA

Application info

Kubistar (08/03--)

014 098 0025
40210-A0100

Wheel bearing



Notes

Height [mm]	17
Outer Diameter [mm]	59
Inner Diameter [mm]	32
Alternative Repair Kit	014 033 0041
Alternative Repair Kit	014 033 0047
Alternative Repair Kit	014 033 0048
Alternative Repair Kit	100 498 0023
Alternative Repair Kit	614 750 0009

References

40210-A0100

Application info

Sunny (B310) (01/70-02/82)

Vanette (C22) (10/86-12/95)

014 098 0029
40215-D0100

Wheel bearing



Notes

Height [mm]	18.15
Outer Diameter [mm]	68
Inner Diameter [mm]	41
Alternative Repair Kit	014 058 0030
Alternative Repair Kit	014 058 0030/SK

References

40215-D0100

Wheel bearing
014 098 0029
 40215-D0100

Application info

 Pathfinder (R50) (09/95-12/04)
 Pick Up (720) (01/80-03/86)

 Pick Up (D21) (09/85-02/98)
 Stanza (T11) (08/81-12/85)

Wheel bearing kit
16-14 650 0004
 40210-00QAC

Notes

 Height [mm]
 Outer Diameter [mm]
 Inner Diameter [mm]

 Front Axle left and right
 48
 84
 49
 with add-on material

References

40210-00QAC


Application info

Interstar (07/02--)

Wheel bearing kit
16-14 650 0013
 40210-00QAG

Notes

 Height [mm]
 Outer Diameter [mm]
 Inner Diameter [mm]

 Front Axle left and right
 with integrated sensor ring
 39
 88
 45
 for vehicles with ABS
 with add-on material

References

40210-00QAG


Application info

Primastar (03/01--)

36-14 650 0003
40210-4M400*

Wheel bearing kit



Notes

Height [mm]
Outer Diameter [mm]
Inner Diameter [mm]

Front Axle left and right
36
74
40
with accessories

References

40210-4M400*

Application info

Almera II (01/00--)

36-14 650 0002
40210-99B00

Wheel bearing kit



Notes

Height [mm]
Outer Diameter [mm]
Inner Diameter [mm]

Front Axle left and right
39
68
35
with add-on material

References

40210-99B00

Application info

Micra (K11) (01/92-02/03)

16-14 650 0011
40210-AX000

Wheel bearing kit



Notes

Height [mm]
Outer Diameter [mm]
Inner Diameter [mm]

Front Axle left and right
37
72
37
for vehicles with ABS
with add-on material

References

40210-AX000

Application info

Micra (K12) (01/03--)

Wheel bearing kit
16-14 750 0014
 43210-00QAB

Notes

 Height [mm]
 Outer Diameter [mm]
 Inner Diameter [mm]

 Rear Axle left and right
 48
 80
 45.3
 Disc Brake
 with add-on material

References

43210-00QAB


Application info

Interstar (07/02--)

Wheel bearing kit
16-14 750 0018
 43210-00QAD

Notes

 Height [mm]
 Outer Diameter [mm]
 Inner Diameter [mm]

 Rear Axle left and right
 43
 55
 25
 with add-on material

References

43210-00QAD


Application info

Kubistar (08/03--)

Wheel bearing kit
16-14 650 0001
 43210-AZ000

Notes

 Height [mm]
 Outer Diameter [mm]
 Inner Diameter [mm]

 Rear Axle left and right
 37
 52
 25
 Drum Brake
 with add-on material

References

43210-AZ000


Application info

Micra (K12) (01/03--)

Note (03/06--)

36-14 402 0202
40202-4F100

Wheel hub



Notes

Rim Hole Number
Bolt Hole Circle Ø [mm]
Outer Diameter [mm]

Front Axle left and right
with wheel studs
without wheel bearing
4
100
122

References

40202-4F100

Application info

Micra (K11) (01/92-02/03)

36-14 652 0000
40202-4M400

Wheel hub



Notes

Rim Hole Number
Bolt Hole Circle Ø [mm]
Outer Diameter [mm]

Front Axle left and right
without wheel bearing
with wheel studs
4
114.3
136

References

40202-4M400

Application info

Almera II (01/00-)

36-14 402 0204
40202-90J00

Wheel hub



Notes

Rim Hole Number
Bolt Hole Circle Ø [mm]
Outer Diameter [mm]

Front Axle left and right
without wheel bearing
with wheel studs
4
114
136

References

40202-90J00

Application info

Primera (P10, W10) (06/90-03/98)

Wheel hub
36-14 652 0003
 40202-JG000

Notes

 Front Axle left and right
 with integrated wheel bearing
 with wheel studs
 Four-point mounting

 Rim Hole Number
 Bolt Hole Circle Ø [mm]
 Outer Diameter [mm]

 5
 114.3
 136

References

40202-JG000


Application info

Qashqai (02/07--)

X-Trail (T31) (06/07--)

Wheel hub
36-14 652 0001
 40204-AX600

Notes

 Front Axle left and right
 without wheel bearing
 without add-on material

 Rim Hole Number
 Bolt Hole Circle Ø [mm]
 Outer Diameter [mm]

 4
 100
 121

References

40204-AX600


Application info

Micra (K12) (01/03--)

Wheel hub
36-14 750 0001
 43200-0M001

Notes

 Rear Axle left and right
 with integrated wheel bearing
 with wheel studs

 Rim Hole Number
 Bolt Hole Circle Ø [mm]
 Outer Diameter [mm]
 Inner Diameter [mm]

 4
 100
 52
 27

References

 43200-0M001 43200-50Y00
 43200-2Y000 43200-50Y05

Application info

 100 NX (03/90-01/96)
 Almera I/Pulsar I (07/95-07/00)

Sunny (B13, N14, Y10) (05/90-03/00)

36-14 752 0000
43200-2F500

Wheel hub



Notes

Rear Axle left and right
with ABS sensor ring
with wheel studs
with integrated wheel bearing

Rim Hole Number	4
Bolt Hole Circle Ø [mm]	114.3
Outer Diameter [mm]	148
Inner Diameter [mm]	30
Number of Teeth, ABS ring	44 for vehicles with ABS with add-on material

References

43200-2F500	43200-9F510
-------------	-------------

Application info

Primera (P11, WP11) (06/96-07/02)

36-14 750 0002
43200-5F617

Wheel hub



Notes

Rear Axle left and right
with integrated wheel bearing
with wheel studs
with ABS sensor ring

Rim Hole Number	4
Bolt Hole Circle Ø [mm]	100
Outer Diameter [mm]	134
Inner Diameter [mm]	27
Number of Teeth, ABS ring	42

References

43200-5F617

Application info

Micra (K11) (01/92-02/03)

Wheel hub
36-14 652 0004
 43200-AV700

Notes

Rear Axle left and right
 with integrated wheel bearing
 with ABS sensor ring
 with wheel studs

Rim Hole Number 5
 Bolt Hole Circle Ø [mm] 114.3
 Width [mm] 67
 Outer Diameter [mm] 147
 Inner Diameter [mm] 30
 Number of Teeth, ABS ring 44
 with add-on material

Rim Hole Number
 Bolt Hole Circle Ø [mm]
 Width [mm]
 Outer Diameter [mm]
 Inner Diameter [mm]
 Number of Teeth, ABS ring

References

43200-AV700


Application info

Primera (P12, WP12) (01/02--)

Wheel hub
16-14 752 0006
 43202-00QAC

Notes

Rear Axle left and right
 with integrated wheel bearing
 with ABS sensor ring

Rim Hole Number 4
 Bolt Hole Circle Ø [mm] 100
 Outer Diameter [mm] 133
 Drum Brake
 Number of Teeth, ABS ring 44
 with add-on material

Rim Hole Number
 Bolt Hole Circle Ø [mm]
 Outer Diameter [mm]
 Number of Teeth, ABS ring

References

43202-00QAC


Application info

Kubistar (08/03--)

Wheel hub
36-14 750 0005
 43202-JG21A

Notes

Rear Axle left and right
 with integrated wheel bearing
 with wheel studs
 Four-point mounting

Rim Hole Number
 Bolt Hole Circle Ø [mm]
 Outer Diameter [mm]

References

43202-JG200

43202-JG21A



36-14 750 0005
43202-JG21A

Wheel hub



Application info

Qashqai (02/07--)

X-Trail (T31) (06/07--)

MEYLE no.	Ref. no.	Page
Nissan		
014 042 0902	069053200	63
014 098 0025	40210-A0100	228
014 098 0029	40215-D0100	228
014 698 0006	41139-9F525 41142-9F525	62
014 698 0006/S	41139-9F525 41142-9F525	62
025 208 6316	41060-C8186 41060-G9800 41060-T7893	53
025 213 4717	41060-08N90 41060-08N91 41060-08N92 41060-09G90 41060-23C90 41060-23C91 41060-23C92 41060-23C93 41060-23C94 41060-25N25 41060-25790 41060-32G91 41060-32G92 41060-32G94 41060-3S590 41060-3S591 41060-V7085 41060-V7090	53
025 214 8115	41060-2X825 41060-9C125 41060-9C525 41060-9C526	50
025 215 4515	44060-3F025 44060-3F085 44060-70J26 44060-BM425 44060-BM426 D4060-BM40A	55
025 215 4515/PD	44060-3F025 44060-3F085 44060-70J26 44060-BM425 44060-BM426 D4060-BM40A	55
025 215 4617	41060-2F025 41060-4M525	48

MEYLE no.	Ref. no.	Page
Nissan		
	41060-4M526 41060-71J25 41060-71J26 41060-BM425	
025 216 2615	41060-6F625 41060-99B25 41060-99B26	49
025 216 5716/W	41060-50Y94 41060-62C90 41060-63C90 41060-63Y90	47
025 217 1316/W	44060-N690 44060-4U090 44060-54C91 44060-5M490 44060-63C90 44060-6E390 44060-73C91 44060-75C90 44060-78N91 44060-7E690 44060-87N90 44065-53F92 D4060-4U090	61
025 217 2517/W	41060-32R94 41060-44F92 41060-48R91 41060-80N90 D1060-3C490 D1060-79E92	48
025 219 8018	41060-00QAF 41060-00QAG	46
025 219 8018/PD	41060-00QAF 41060-00QAG	46
025 230 0415/W	41060-1N060 41060-1N090 41060-1N890	47
025 230 8617/W	41060-17U90 41060-1E090 41060-38U90 41060-89E92	49
025 230 9416/W	41060-4U125 41060-4U126 41060-4U127 41060-AV125 41060-AV126	51

MEYLE no.	Ref. no.	Page
Nissan		
025 230 9918	41060-00QAE	45
025 230 9918/PD	41060-00QAE	46
025 231 6017	41060-9F525	50
025 234 2016/W	41060-8H785 D1060-8H71A D1060-8H785	58
025 234 5415	44060-99B25 44060-99B85	56
025 234 6316	41060-2F525 41060-2F526 41060-2F527 41060-5M325 41060-5M326 41060-BM525 D1060-BM50A	51
025 234 6316/PD	41060-2F525 41060-2F526 41060-2F527 41060-5M325 41060-5M326 41060-BM525 D1060-BM50A	52
025 234 8216	44060-AV625 44060-AV725	57
025 234 8216/PD	44060-AV625 44060-AV725	57
025 235 0216/W	44060-VB190 44060-VC090 D4060-VC090	58
025 235 0715	41060-4A00B	47
025 236 1118/W	41060-VB290 41060-VC091 41060-VC290 D1060-VC091 D1060-VC290	60
025 236 1318	41060-00QAD	44
025 236 1318/PD	41060-00QAD	45
025 236 6916	44060-00QAE	54
025 236 6916/PD	44060-00QAE	54
025 236 9816/W	41060-CC090 41060-EB325	52
025 238 7114/W	44060-8H385 44060-AL585 44060-AL586 44060-AL588 D4060-8H385	56

MEYLE no.	Ref. no.	Page
Nissan		
	D4060-EM11A D4060-JA00A	
025 239 7017/W	41060-7Z025 41060-VK190 D1060-VK190	60
025 239 7317	41060-AX625 D1060-AX60A D1060-AX61A D1060-AX61F	58
025 239 7317/PD	41060-AX625 D1060-AX60A D1060-AX61A D1060-AX61F	59
025 239 8017	44060-00QAF	54
025 239 8017/PD	44060-00QAF	55
025 240 5615/W	41060-CA090 41060-CA092 41060-CA093 41060-CG00J 41060-ZA525 AY040-NS121 D1M60-1AA0K	61
025 242 2716/W	41060-EB326	52
025 242 4016/W	44060-EB325	57
025 242 8016/W	D1060-EM10A	59
025 246 3217	D1060-JD00A	60
025 246 4815/W	41060-6N091 41060-6N0X1 41060-95F0A 41060-95F0B D1060-6N091	49
025 248 7113/W	D4060-9N00A D4M609N00A D4M609N00B	62
028 282 0004	21200-57J00	101
029 300 1211	-	7
029 330 1300	-	7
029 350 1400	-	8
029 350 1410	-	8
029 380 1500	-	8
029 400 1600	-	9
029 400 1610	-	9
029 425 1700	-	9
029 450 1800	-	10
029 475 1900	-	10
029 500 2000	-	11

MEYLE no.	Ref. no.	Page
Nissan		
029 530 2100	-	11
029 550 2200	-	12
029 600 2400	-	12
029 650 2600	-	12
100 900 0000	22690-17B00 22690-73C00	98
100 953 0012	25730-16B00	99
11-13 012 0158	21010-6F900 21010-6F907	107
11-14 860 0000	11065-6F900	92
16-12 319 0001	27891-00QAA B7298-00QAA	21
16-12 319 0003	27891-AX01A	18
16-12 319 0019/S	27891-00Q0D	17
16-12 319 0022	27277-00A26 27277-1KA0A 27277-1KA4A	15
16-12 320 0001	B7298-00QAA	21
16-12 320 0019/S	27891-00Q0D	17
16-12 320 0022	271T2-00A00	13
16-12 321 0004	16546-00QAA 16546-00QAU	115
16-12 321 0007	16546-00QAK 16546-BN700	119
16-12 321 0009	16546-00QAR 16546-BC40A 16546-BN701 16546-BN70A 22324-00QAB 8200437229	123
16-12 321 0012	16546-00QAL	114
16-13 220 0003	21010-00QAS 21010-BN700	105
16-13 220 0004	21010-00QAC	105
16-13 220 0011	21010-AW300	111
16-13 220 0015	21010-00Q0E	104
16-13 220 0020	21010-00Q0C	103
16-13 220 0025	B1010-1GZ0A B1010-EN20B	113
16-13 220 0026	21010-00Q0K	104
16-14 030 0026	11220-BN700 11220-BN720	139
16-14 030 0082	11270-00QAA	140
16-14 079 9404/S	54616-00QAA	199
16-14 322 0000	15208-00Q0D 15208-00Q0F	138

MEYLE no.	Ref. no.	Page
Nissan		
	15208-00Q0G 15208-00QAB 15208-00QAC 15208-00QAF 15208-BN700 82000-33408 82000-33468	
16-14 322 0006	15209-00QAC 15209-2W200 15209-MA70A	138
16-14 322 0008	15208-00QAG	130
16-14 323 0002	82004-16946	130
16-14 323 0007	16400-00QAV 16400-4U105 16400-BC40A 16400-BN700 16401-00QAA	127
16-14 498 0029	-	86
16-14 498 0032	-	87
16-14 525 0009	46201-00QAG	70
16-14 533 0001	44060-00QAK 44060-3J325	65
16-14 533 0002	44060-00QAG	64
16-14 533 0024/K	44060-00QAG	64
16-14 610 0001	54502-00QAA* 54503-00QAA*	193
16-14 610 0002	54502-00QAA* 54503-00QAA*	194
16-14 610 0004	54560-AX600	195
16-14 610 0013/HD	54560-00QAB*	194
16-14 615 0004	54613-00QAD	198
16-14 615 0010	54613-00QAB	198
16-14 620 0001	48203-00QAD 77014-70361	141
16-14 640 0000	-	214
16-14 641 0003	54325-00QAA	228
16-14 641 0004	54310-00QAA 54325-00QAA 54330-00QAA 54348-00QAA	227
16-14 641 0004/S	54310-00QAA 54325-00QAA 54325-00QAA 54330-00QAA 54348-00QAA 543A0-0300R	227

MEYLE no.	Ref. no.	Page
Nissan		
16-14 641 0005/S	54310-00QAA 54325-00QAA 54330-00QAA 54348-00QAA	216
16-14 641 0015	54321-AX600 54321-BC40A	215
16-14 641 0016	54320-AX600 54320-BC40A	215
16-14 650 0001	43210-AZ000	231
16-14 650 0004	40210-00QAC	229
16-14 650 0011	40210-AX000	230
16-14 650 0013	40210-00QAG	229
16-14 750 0014	43210-00QAB	231
16-14 750 0018	43210-00QAD	231
16-14 752 0006	43202-00QAC	235
16-14 860 0003	11065-V0700 11065-V0710	94
16-14 860 0006	11065-00Q0A 11065-00QAE	89
16-14 860 0009	11065-00Q0E	90
16-14 860 0010	11065-00Q00 11065-00QAA 11065-00QAF 11065-00QAG 11065-BN701	93
16-14 885 0001	22448-00QAC	95
16-14 885 0002	22448-00Q0A 22448-00Q0B 22448-00QAA 22448-00QAB 22448-00QAE 22448-00QAH 22448-6N011	96
16-14 899 0005	01436-00QAB 23750-00Q0H	89
16-14 899 0011	22630-00Q2H 22630-00QAD 22630-00QAF 22630-BN702	98
16-15 521 0000	40206-00QAA	22
16-15 521 0003	40206-00QAJ	24
16-15 521 0009	40206-AX600 40206-AX602 40206-AX603	33
16-15 523 0002	43200-00QAF 43200-00QAG	63

MEYLE no.	Ref. no.	Page
Nissan		
16-16 010 0005/HD	54502-00QAA 54503-00QAA	169
16-16 010 0009	40160-000AC 40160-000AD	161
16-16 010 0010	40160-00Q0C	162
16-16 010 0019	-	169
16-16 010 0020	40160-00Q0B	161
16-16 010 4264	54501-00QAH	168
16-16 020 0000	48520-00QAP	149
16-16 020 0006	48520-00QAN	148
16-16 020 0008	48520-00QAL	148
16-16 020 0009	48520-00QAK	148
16-16 020 0014	48640-AX602	155
16-16 020 0016	48520-AX602	152
16-16 020 0029	-	158
16-16 020 0030	-	158
16-16 031 0004	48520-00QAM	141
16-16 031 0007	-	146
16-16 031 0008	48521-00QAG	142
16-16 031 0011	48521-00QAA	142
16-16 050 0007/HD	54500-00QAH	170
16-16 050 0008/HD	54501-00QAH	178
16-16 050 0017/HD	54503-00QAA 54503-00QAB	187
16-16 050 0018/HD	54502-00QAA 54502-00QAB	186
16-16 050 0025	54503-00Q0C	187
16-16 050 0026	54502-00Q0C	186
16-16 050 0027	5450100QAC 5450100QAD 5450100QAE	178
16-16 050 0028	5450000QAC 5450000QAD 5450000QAE	170
16-16 060 0003/HD	54616-00QAC	200
16-26 613 0006	54302-00QAC 54302-00QAD 54302-00QAE 54302-00QAF	216
16-26 623 0007	54302-00Q0B	216
16-26 725 0002	56210-00QAK	223
16-40 910 0001	90450-00QAA	2
16-40 910 0029	90451-00QAA	4
214 322 0002	15208-6F901 15208-6F905 15208-6F906	133

MEYLE no.	Ref. no.	Page
Nissan		
	15310-01700 SU001-00453	
214 800 0002	22731-1F710	98
29-14 533 0007	06902-6260 06902-6270 06905-3200 48330-05000 58305-44A10 58305-44A40 58305-44A50	67
30-12 321 0015	17801-21030	122
30-14 323 0001	16403-2SA00	128
30-14 495 0001	39241-BM525 39241-BM526 39241-BM527	76
30-16 060 0017/HD	54618-CY00A	206
30-28 228 0001	21200-4M500 21200-77A65 21200-93J10 21200-9F600 21208-96002 25500-02500	101
314 133 2107	16400-70J00	124
314 133 2108	16400-70J00	124
32-14 322 0006	15208-HC400	136
32-14 860 0002	11065-43G01 11065-63G00	91
33-12 319 0005	27891-4A00C	17
33-12 321 0014	16546-4A00C 16546-4A00F	116
33-14 322 0005	15208-4A00A	132
33-14 323 0001	15410-84380	123
33-15 521 0008	40206-4A00G	30
34-12 046 0001	16546-0Z000 16546-3J400 16546-6J400 16546-70J10 16546-V0100 16546-V0110 16546-W2900	121
35-14 322 0000	15208-3J400XX	131
35-14 322 0002	Y7011-4302	139
35-14 525 0013	-	73
35-16 060 0021/HD	54618-9U00A 54618-AX600 54618-BC40A	205

MEYLE no.	Ref. no.	Page
Nissan		
36-12 319 0000	27891-BM400 27891-BM401 27891-BM402 27891-BM410 B7200-5M000	18
36-12 319 0001	27893-6F600 27893-6F600KE	19
36-12 319 0002	27891-AX010 AY685-NS003	18
36-12 319 0003/S	27275-1N601 27275-1N626 27275-1N6P6 27276-1N605	14
36-12 319 0004/S	27274-EA000 27274-EA000-D 27274-EA000-S	14
36-12 319 0005	27277-EN000 27277-EN025	16
36-12 319 0006	27277-4M400 27277-4M425 27277-5U100 27277-9W125 27277-WD000 2K003-30361 999M1-VP001 999M1-VP051 B7200-5M000 B727A-79925	20
36-12 319 0007/S	27274-7J125 999M1-VP003 B727C-79925	20
36-12 319 0008	27274-ED000 27891-EC00A 27891-EL00A	19
36-12 319 0009/S	27275-1N600 27275-1N601 27275-1N625	14
36-12 319 0010	27277-1HE0E	15
36-12 320 0000	27274-3Y700 27277-3Y525 37200-3Y000 B7200-3Y000	13
36-12 320 0005	27277-EN000 27277-EN025 27277-JD10A	16
36-12 320 0010	27277-1HE0E	15

MEYLE no.	Ref. no.	Page
Nissan		
36-12 321 0001	16546-23000 16546-S0100 89414-8980	121
36-12 321 0002	16546-3S903 16546-7F000 16546-7F002	117
36-12 321 0003	16546-0U800 16546-0U80A 16546-41B00 16546-41B01 16546-AX600	116
36-12 321 0004	16546-ED000	120
36-12 321 0005	16546-6F900	117
36-12 321 0006	16546-17B00 16546-3J410 16546-3J41A 16546-73C00 16546-73C01 16546-73C10 16546-73C11 16546-AA030 AY120-NS007	117
36-12 321 0007	16546-04N00 16546-0F000 16546-80G00	118
36-12 321 0009	16546-71J00 16546-77A10 16546-88A00 16546-88A10	118
36-12 321 0010	16546-JD20A 16546-JD20B 16546-JG70A	120
36-12 321 0011	16546-VB300 16546-VC10A	122
36-12 321 0012	16546-9S000 16546-9S001 16546-9S00B 16546-E6810 16546-VK500	119
36-12 321 0013	16546-EB300	120
36-12 321 0014	16546-30P00	116
36-12 321 0015	16546-AW300	119
36-12 321 0016	16546-00QAG 77010-65985	123
36-13 210 0001	21010-19B25 21010-19BY5	106

MEYLE no.	Ref. no.	Page
Nissan		
	21010-24B25	
36-13 210 0007	21010-31U25 21010-31U27 21010-31U28 21010-31U29 21010-31U85	106
36-13 210 0011	21010-0M300 21010-0M301 21010-53Y00 21010-53Y01 21010-71J00 21010-74Y00 21010-88R10	108
36-13 220 0000	21010-53J01 21010-53J03 21010-53J04 21010-53J05 21010-70J00 21010-9F501	107
36-13 220 0001	21010-22J00 21010-22J25 21010-22J26 21010-28J25 21010-28J26 21010-81T00 21010-81T25 21010-81T26 21010-V7225 21010-V7226 21010-V7228 21010-V7229 21010-V7285 21010-V7286 BA010-22J25	109
36-13 220 0002	21010-57J00 21010-57J01 21010-57J02 21010-57J03 21010-57J25 21010-57J26 21010-57J27 21010-57J28	107
36-13 220 0003	21010-9C600	110
36-13 220 0004	21010-41B00 21010-41B01 21010-41B02	110

MEYLE no.	Ref. no.	Page
Nissan		
	21010-41B03 21010-99B00	
36-13 220 0005	21010-9F600 21010-9F605	111
36-13 220 0007	21010-AD200 21010-AD225 21010-AD226 B1010-AD226	111
36-13 220 0010	21010-0F002 21010-0F003 21010-7F400 21010-80G25 21010-80G26 21010-80G27 21010-80G28 21010-80G85 21010-80G89 21010-G2404	109
36-13 220 0011	21010-7Y025 21010-7Y026 21010-AL527 21010-AL528	109
36-13 220 0012	21010-BX000	112
36-13 220 0013	21010-EE025	112
36-13 220 0014	21010-6N225 21010-6N226	108
36-13 220 0016	21010-EB300 21010-EB30A 21010-VK525	112
36-14 050 0001	54476-41B02 54479-41B02 54500-2U711* 54500-44B00* 54500-4F102* 54500-4F105* 54500-4F150* 54500-6F600* 54501-2U711* 54501-44B00* 54501-4F102* 54501-4F105* 54501-4F150* 54501-6F600*	196
36-14 050 0002	54500-2U711* 54500-44B00* 54500-4F102*	191

MEYLE no.	Ref. no.	Page
Nissan		
	54500-4F105* 54500-4F150* 54500-6F600* 54501-2U711* 54501-44B00* 54501-4F102* 54501-4F105* 54501-4F150* 54501-6F600* 54560-17B01	
36-14 322 0001	15208-43G00 15208-43G0A 15208-65010 15208-65011 15208-65014 15208-7F400 15208-7F40A 15208-G9900 15208-W1100 15208-W1120 15208-W1123 15208-W3401 15208-W3403 15208-Y9701 58610-24090 A5208-43G00 A5208-43G0A A5208-W3403 AY100-NS010	132
36-14 322 0002	15208-53J00 15208-53J01 15208-70J00 15208-70J01 15208-AX625 15208-BX000A A5208-70J00 AY100-NS005	133
36-14 322 0003	15208-BN300 15208-BN30A	135
36-14 322 0004	15208-55Y00 15208-60U00 15208-60U01 15208-71J00 15208-71J06 15208-AA000 15208-G3100	138

MEYLE no.	Ref. no.	Page
Nissan		
	15208-H8901 15208-H8903 15208H-8903JP 15208-H8910 15208-H8912 A5208-H8903 A5208-H8904 A5208-H890C	
36-14 322 0005	15208-5M300 15208-AD200 15208-AD20A 15208-AD300 15208-BN31A 15209-AD200	135
36-14 322 0006	15208-80W00 15208-9C600 15208-D9705 15208-W1101 15208-W1103 15208-W1106 15208-W1111 15208-W1113 15208-W1116 A5208-W1103 A5208-W1106 A5208-W3401	133
36-14 322 0007	15208-18G00 15208-20N00 15208-20N01 15208-20N02 15208-20N10 15208-20N1A 15208-40L00 15208-40L01 15208-40L02	131
36-14 322 0008	15208-3J400 15208-65F00 15208-65F01 15208-65F0A 15208-65F0B 15208-65F10 15208-7M600 15208-9F600	134
36-14 323 0001	16400-18A20 16400-2W202 16400-57J05	129

MEYLE no.	Ref. no.	Page
Nissan		
	16400-VB201 16400-VB20C 16400-VC100 16400-VC10C 16403-59E00 16403-59E0A 16403-G2400 16403-G9900 16403-G990A 16405-05E01 16405-59E00 A640C-59EM0 A640C-59EM0-SA	
36-14 323 0004	16400-BN303 16400-BN30B 16403-7F400 16403-7F401 16403-7F40A 16403-BN303	125
36-14 323 0005	16400-0W000 16400-0W005 16400-0W010 16400-0W01A 16400-41B00 16400-41B05 16400-41B1A 16400-41B25 16400-41B26 16400-9F910 16400-9F927 16400-9F928 16400-9F928-KE 16400-D0300 16400-F5100 16400-G9601 16400-V2700 16400-V2705 A640M-41BM0 A640M-41BM0-SA	127
36-14 323 0010	16400-10Y00 16400-72L00 16400-72L05 16400-72L10	124
36-14 323 0011	16405-00QAA	129
36-14 323 0012	16400-JD50A 16400-JD52A	126

MEYLE no.	Ref. no.	Page
Nissan		
36-14 323 0013	16400-EC00A	126
36-14 323 0014	16403-4U105 16403-4U11A	128
36-14 402 0202	40202-4F100	232
36-14 402 0204	40202-90J00	232
36-14 495 0002	39241-4F425 39241-4F427	75
36-14 495 0003	39241-73J25	76
36-14 495 0009	39741-2F026 39741-4F126 39741-4F425	77
36-14 495 0011	39741-4F125	77
36-14 495 0012	39241-01A01 39241-01A26 39241-01A27 39241-01A28 39241-01A29 39241-01A88 39241-01A91	75
36-14 498 0006	39100-72J20 39100-73J00 39101-73J00 39211-73J25 39211-73J26	83
36-14 498 0008	39100-71J00 39101-70J00 39211-71J25 39211-71J27	83
36-14 498 0011	39100-0M301 39100-0M900 39100-0M905 39100-60Y00 39100-60Y05 39100-61Y06 39100-62Y05 39100-63Y00 39100-63Y01 39101-0M301 39101-0M900 39101-0M905 39101-60Y00 39101-60Y05 39101-61Y07 39101-62Y05 39101-63Y00 39101-63Y01	82

MEYLE no.	Ref. no.	Page
Nissan		
	39211-60Y00	
36-14 498 0012	39100-60Y10 39100-60Y15 39100-61Y16 39100-62Y00 39100-62Y10 39100-62Y15 39100-63Y10 39100-63Y11 39101-60Y10 39101-60Y15 39101-61Y17 39101-62Y00 39101-62Y10 39101-62Y15 39101-62Y16 39101-63Y11 39101-63Y15 39211-60Y10	82
36-14 498 0015	39100-73N00 39101-73N00 39101-73N01 39211-99999	79
36-14 498 0017	39100-44B00 39100-44B02 39100-44B10 39100-44B12 39101-44B00 39101-44B02 39101-44B10 39101-44B12 39211-4F426	81
36-14 498 0018	39100-41B00 39100-41B05 39100-41F100 39100-41F400 39100-45B00 39100-4F100 39101-41B00 39101-41B05 39101-41F100 39101-41F400 39101-45B00 39101-4F100 39211-4F125	78
36-14 498 0019	39100-72J10	83

MEYLE no.	Ref. no.	Page
Nissan		
	39100-73J20	
	39101-73J20	
	39211-72J25	
	39211-73J27	
36-14 498 0020	39211-2F225	80
36-14 498 0021	39100-50Y10	78
	39100-51Y10	
	39100-52Y10	
	39100-53Y10	
	39101-50Y10	
	39101-50Y11	
	39101-51Y10	
	39101-52Y10	
	39101-53Y10	
36-14 498 0024	39101-50Y01	79
36-14 498 0026	39211-9F626	84
	39211-AU325	
36-14 498 0027	39211-AV625	85
36-14 498 0028	39100-4F400	81
	39101-4F400	
	39211-4F425	
36-14 498 0029	39100-2F010	79
	39101-2F011	
	39211-2F025	
36-14 498 0031	39211-4F126	80
36-14 498 0032	39211-BM726	86
36-14 498 0033	39211-BM526	86
36-14 498 0034	39211-AY625	85
36-14 498 0035	39211-7F000	84
36-14 498 0036	39211-AY125	85
36-14 525 0000	46210-5F001	71
	46210-5F002	
36-14 525 0001	46210-5F006	71
	46210-5F007	
36-14 525 0003	46214-5F000	73
	46214-5F001	
36-14 525 0004	46210-9U00A	71
	46210-AX601	
36-14 525 0005	46210-9U01A	72
	46210-AX606	
36-14 525 0006	46214-9U00A	73
	46214-AX600	
36-14 531 0000	44100-5F600	74
	44100-6F611	
	44100-99B12	
36-14 531 0001	44100-AX600	74

MEYLE no.	Ref. no.	Page
Nissan		
	44100-BH00A	
36-14 533 0003	44060-99B26	66
36-14 533 0004	44060-6F625	65
	44060-99B26	
36-14 533 0005	44060-AX625	66
	D4060-AX600	
36-14 533 0008	44060-EB327	67
	44071-EB70A	
36-14 533 0009	44060-CY025	67
36-14 533 0011	36160-51N25	68
	36160-C9625	
	D4060-MB40B	
	D4060-MB40C	
	D6160-51N25	
36-14 533 0012	44060-8M126	68
	D4060-8M126	
36-14 533 0013	44060-0W725	68
	44060-0W726	
	44060-0W727	
	44060-37G25	
	44060-37G26	
	44060-37G27	
	44060-56G26	
	D4060-0W71A	
	D4060-0W727	
	DD060-56G26	
36-14 533 0014	44060-0X825	64
	44060-9X129	
36-14 533 0016	44060-50Y25	65
36-14 533 0017	44060-0F026	66
	44060-7C326	
	44060-9C025	
36-14 543 0001	54320-50Y12	226
36-14 545 0004	54590-01E00	196
36-14 610 0000	54500-8H310*	192
	54500-8H31A*	
	54501-8H310*	
	54501-8H31A*	
36-14 610 0001	54500-8H310	192
	54500-8H31A*	
	54501-8H310	
	54501-8H31A*	
36-14 610 0002	54570-AX600	195
36-14 610 0003	54500-50J00*	197
	54500-50J10*	
	54500-50J25	

MEYLE no.	Ref. no.	Page
Nissan		
	54500-86J00* 54570-50J00	
36-14 610 0008	54500-0M010* 54501-0M010* 54570-0M010* 54570-0M020* 54570-50Y10 54570-50Y11	197
36-14 610 0009	54500-BB00A* 54500-BR30A* 54500-JD000* 54501-BB00A* 54501-BR30A* 54501-JD000* 54501-JG000*	192
36-14 610 0010	54500-1KA0B* 54500-BB00A* 54500-BR30A* 54500-JD000* 54501-1KA0B* 54501-BB00A* 54501-BR30A* 54501-JD000* 54501-JG000*	193
36-14 610 0011	54500-4M500* 54501-4M500*	196
36-14 610 0012	54524-EB30A* 54525-EB30A*	194
36-14 640 0000	-	214
36-14 641 0000	54320-BM400 54320-BM40A	227
36-14 650 0002	40210-99B00	230
36-14 650 0003	40210-4M400*	230
36-14 652 0000	40202-4M400	232
36-14 652 0001	40204-AX600	233
36-14 652 0003	40202-JG000	233
36-14 652 0004	43200-AV700	235
36-14 653 0000	54500-BB00A* 54500-BR30A* 54500-JD000* 54501-BB00A* 54501-BR30A* 54501-JD000* 54501-JG000*	198
36-14 710 0000/HD	55400EQ700* 55400ES50A*	213

MEYLE no.	Ref. no.	Page
Nissan		
36-14 710 0001/HD	55400EQ700* 55400ES50A*	213
36-14 740 0000	-	214
36-14 750 0001	43200-0M001 43200-2Y000 43200-50Y00 43200-50Y05	233
36-14 750 0002	43200-5F617	234
36-14 750 0005	43202-JG200 43202-JG21A	235
36-14 752 0000	43200-2F500 43200-9F510	234
36-14 860 0001	11065-T8200 11065-T8202	94
36-14 860 0002	11065-57J00 11065-57J9A 11065-5C900	91
36-14 860 0003	11065-AD200 11065-AD201 11065-AD20A	93
36-14 860 0004	11065-0W801 11065-65N01 11065-65N0A 11065-7F400	90
36-14 885 0000	22448-4M500 22448-4M50A	97
36-14 885 0001	22433-0B000 22433-0B001 22433-0B010 22433-51J10 22433-53J20 22433-55S10 22433-56E11 22433-56E12 22448-0C801 22448-0C802 22448-D4000	95
36-14 885 0003	22448-31U01 22448-31U11	96
36-14 885 0004	22448-31U06 22448-31U16	96
36-14 885 0005	22448-6N000 22448-6N002 22448-6N010 22448-6N012 22448-6N015	97

MEYLE no.	Ref. no.	Page
Nissan		
36-15 521 0001	40206-5F001 40206-5F003	31
36-15 521 0009	40206-0F000 40206-0F001 40206-31G00 40206-31G01 40206-31G03 40206-VJ200	27
36-15 521 0011	40206-58A00 40206-58A01 40206-60Y00 40206-60Y01	31
36-15 521 0014	40206-71E00 40206-71E01 40206-71E02 40206-71E03 40206-71E05 40206-71E06 40206-71E07 40206-93J00 40206-93J01	32
36-15 521 0018	40206-2F500 40206-2F501 40206-55F01 40206-55F03 40206-73L01 40206-7J101	32
36-15 521 0019	40206-0M601 40206-0M602	24
36-15 521 0023	40206-0M801 40206-0M802	24
36-15 521 0024	40206-1W600 40206-6W500 40206-VE800	36
36-15 521 0027	40206-3Y502 40206-3Y503 40206-4U101 40206-4U103 40206-4U107	30
36-15 521 0033	40206-EA00A 40206-EB300	33
36-15 521 0037/PD	40206-2S400 40206-2S401	27
36-15 521 0045/PD	40206-ET01A	35
36-15 521 0046	40206-2N301	26
36-15 521 0046/PD	40206-2N301	26

MEYLE no.	Ref. no.	Page
Nissan		
36-15 521 0047/PD	40206-JD00A 40206-JG00A	35
36-15 521 0048	40206-37J01 40206-C7000 40206-C7001 40206-G9500	28
36-15 521 0049	40206-VB000 40206-VB001	36
36-15 521 0050/PD	40206-CA010 40206-EG000	34
36-15 521 0051	40206-3X00B 40206-5X00A 40206-EB320	29
36-15 521 0051/PD	40206-3X00B 40206-5X00A 40206-EB320	29
36-15 521 0052	40206-EM10A	34
36-15 521 0053	40206-1KA3A	25
36-15 521 0054	40206-1HA0A	25
36-15 521 0059	40206-3LG0A 40206-JX00A	28
36-15 523 0001	43206-5M311 43206-99J00 43206-99J01	41
36-15 523 0015	43206-2Y503 43206-4U001 43206-WA201	38
36-15 523 0017	43206-58Y00 43206-58Y01	39
36-15 523 0021	43206-8H305 43206-8H700 43206-8H701	40
36-15 523 0021/PD	43206-8H305 43206-8H700 43206-8H701	41
36-15 523 0022	43206-4U101 43206-4U103	38
36-15 523 0024	43206-5F001	40
36-15 523 0027/PD	43206-CA000 43206-EG000 43206-WL000	42
36-15 523 0032	43206-54C00 43206-54C01	39
36-15 523 0033/PD	43206-JD00A	44
36-15 523 0034	43206-99J04	42
36-15 523 0035	43206-EB300	43

MEYLE no.	Ref. no.	Page
Nissan		
36-15 523 0035/PD	43206-EB300	43
36-15 523 0039	43206-05J03 43206-05J04 43206-VB000	44
36-16 010 0000	40160-9W200* 54500-BB00A* 54500-BR30A* 54500-JD000* 54501-BB00A* 54501-BR30A* 54501-JD000* 54501-JG000*	167
36-16 010 0001	40110-01G00 40110-01G25 40110-01G26 40110-0F000 40110-B9500 40110-T6000 40110-T6025 40110-V0100	160
36-16 010 0003	40160-0F000 40160-50W00 40160-50W01 40160-50W10 40160-50W25 40160-93G00 40160-93G25 40160-93G26 40160-50W25 40161-50W01 40161-93G26	164
36-16 010 0006	40160-50A00 40160-50J25 40160-60Y60 40160-69C00 40160-70J00 40160-86M00 40160-J7500 54500-50J00* 54500-50J10* 54500-50J25* 54500-69C00 54500-86J00* 54501-50J00* 54501-50J10* 54501-50J25*	167

MEYLE no.	Ref. no.	Page
Nissan		
	54501-86J00*	
36-16 010 0010	40160-01E00 40160-01E25 40160-51E00 40160-85E00	163
36-16 010 0012	40110-2S485 40110-2S486	160
36-16 010 0014	54500-1JY0A* 54500-EW000* 54501-1JY0A* 54501-EW000*	167
36-16 010 0019	40160-2S601	162
36-16 010 0023	40110EA000 54524-EB30A* 54525-EB30A*	160
36-16 010 0025	40160-EA00A 54500-EB31A* 54501-EB31A*	164
36-16 010 0034	54500-1KA0A* 54500-1KA0B* 54501-1KA0A* 54501-1KA0B*	165
36-16 010 0039	40160-0M010 40160-0M020 40160-50Y00 40160-50Y02 40160-50Y0R 40160-50Y10 40160-52Y00 40160-52Y10 40160-52Y20 40160-60Y00 40160-60Y10 40160-60Y20 40160-69Y00 40160-69Y10 40160-F4200 40160-Y02G0 40161-52Y10 54500-0M010* 54500-0M020* 54500-0M060* 54500-52Y10* 54500-52Y15* 54500-52Y60* 54500-52Y70*	165

MEYLE no.	Ref. no.	Page
Nissan		
	54500-69Y10*	
	54501-0M010*	
	54501-52Y10*	
	54501-52Y15*	
	54501-52Y60*	
	54501-52Y70*	
	54501-69Y10*	
36-16 010 0040	40160-4F100 54500-44B00* 54500-4F102* 54500-4F105* 54500-4F150* 54501-44B00* 54501-4F102* 54501-4F105* 54501-4F150*	166
36-16 010 0043	54500-4M410* 54500-4M411* 54500-BM410* 54500-F4600* 54501-4M410* 54501-4M411* 54501-BM410* 54501-F4600*	166
36-16 010 0044	40160-AX000 54501-AX600* 54501-BC42A* 54570-AX600* 6040 135 517	169
36-16 010 0045	40160-2Y000 54500-AV600* 54501-AV600* 54501-AV60A* 54501-AV60C*	163
36-16 010 0049	54500-2U711* 54500-6F600* 54501-2U711* 54501-6F600*	168
36-16 010 0050	40160-7F000	163
36-16 020 0008	48520-31G25 48520-61G25 48520-7F000	151
36-16 020 0009	48520-7F001 48521-31G25 48570-31G25 48570-61G25	154

MEYLE no.	Ref. no.	Page
Nissan		
36-16 020 0014	D8640-1KA0A	158
36-16 020 0015	D8520-1KA0A	157
36-16 020 0017	48520-EA01J	153
36-16 020 0018	48640-EA01J	155
36-16 020 0027	48640-3U025 48647-1U61A D8640-EW00A	156
36-16 020 0028	48520-3U025 48527-1U61A D8520-EW00A	153
36-16 020 0030	48520-2S420 48520-2S485 D8520-VK91A	150
36-16 020 0031	48520-CB025 D8520-CB025	157
36-16 020 0053	48520-01E00 48520-01E25 48520-01E26 48520-02E00 48520-02E25 48520-02E26 48520-0M025 48520-35F25 48520-50Y25 48520-D0100 48520-D0125 48520-D0126 48520-Q9000	149
36-16 020 0070	48520-4F125 48520-6F625	151
36-16 020 0077	48520-73J25 48520-76J25	151
36-16 020 0078	48520-01B25 48520-17B25	150
36-16 020 0081/HD	48640-AX600	155
36-16 020 0084	48520-BM425	153
36-16 020 0086	48520-0C000 48520-0M085 48520-15U25	149
36-16 020 0088	48520-0P725 48520-0W025 48520-3S500 48520-3S525 D8520-0W025	156
36-16 020 0090/HD	48520-AX600	152
36-16 020 0091	48527-JD01A	154

MEYLE no.	Ref. no.	Page
Nissan		
36-16 020 0092	48647-JD01A	156
36-16 030 0001	48521-06R05 48521-06R06 48521-71C00 48521-71L00 48521-71V06 48521-72E00 48521-72E06 48521-72V06	144
36-16 030 0009	48521-50000 48521-50400 48521-50Y00 48521-50Y25 48521-Y02G0	144
36-16 030 0014	48510-31G25 48630-31G25	147
36-16 030 0022	48521-EA000	145
36-16 030 0062	48521-01B25 48521-01B26 48521-17B00 48521-17B25	143
36-16 031 0005	48521-4M500 48521-4M528 48521-8H300 48521-8H325 48521-8H328 48521-8H385 48521-8H386	143
36-16 031 0008	48521-4U110 48521-4U185 48521-4U186	144
36-16 031 0009	49001-AV610* 49001-BA210*	146
36-16 031 0010	48001JD900* D8521-JD00B	141
36-16 031 0058	48521-CA025	145
36-16 031 0064	48521-3U025	143
36-16 031 0068	D8521-1HA0A D8521-1HJ0A	146
36-16 050 0007	54501-BB00A 54501-BR30A 54501-JD000 54501-JG000	185
36-16 050 0008	54500-BB00A 54500-BR30A 54500-JD000	177

MEYLE no.	Ref. no.	Page
Nissan		
36-16 050 0021	54525-EB300 54525-EB30A	189
36-16 050 0022	54524-EB300 54524-EB30A	188
36-16 050 0029	54500-52Y10 54500-52Y15 54500-52Y60 54500-52Y70 54500-69Y10	174
36-16 050 0030	54501-52Y10 54501-52Y15 54501-52Y60 54501-52Y70 54501-69Y10	182
36-16 050 0037	55110-8H505	190
36-16 050 0040	55120-8H500	190
36-16 050 0041	55120-8H505	190
36-16 050 0045	54501-44B00 54501-4F102 54501-4F105 54501-4F150	181
36-16 050 0046	54500-44B00 54500-4F102 54500-4F105 54500-4F150	173
36-16 050 0047	54500-0M010 54500-0M020 54500-0M060	171
36-16 050 0048	54501-0M010	179
36-16 050 0049	54500-50J00 54500-50J10 54500-50J25 54500-86J00	175
36-16 050 0050	54501-50J00 54501-50J10 54501-50J25 54501-86J00	183
36-16 050 0055	54500-2F500	172
36-16 050 0056	54501-2F500	180
36-16 050 0063	54500-21B00	171
36-16 050 0064	54501-21B00	179
36-16 050 0068	54500-4M400 54500-4M410 54500-4M411 54500-BM410 54500-F4600	173

MEYLE no.	Ref. no.	Page
Nissan		
36-16 050 0069	54501-4M400	181
	54501-4M410	
	54501-4M411	
	54501-BM410	
	54501-F4600	
36-16 050 0073	54501-4U002	182
	54501-4U201	
	54501-5U300	
	54501-BU000	
36-16 050 0074	54500-4U002	174
	54500-4U201	
	54500-5U300	
	54500-BU000	
36-16 050 0075	54500-AV600	176
	54500-AV606	
	54500-AV60C	
36-16 050 0076	54524-AV600	188
	54524-AV601	
	54524-AV60A	
36-16 050 0077	54525-AV600	189
	54525-AV601	
	54525-AV60A	
36-16 050 0078	54501-AV600	184
	54501-AV606	
	54501-AV60A	
	54501-AV60C	
36-16 050 0079	54501-7C350	183
36-16 050 0080	54500-7C350	175
36-16 050 0081	54501-8H310	184
	54501-8H31A	
36-16 050 0082	54500-8H310	176
	54500-8H31A	
36-16 050 0083	54501-2U711	180
	54501-6F600	
36-16 050 0084	54500-2U711	172
	54500-6F600	
36-16 050 0085	54501-AX600	185
	54501-BC41A	
	54501-BC42A	
	54570-AX600	
36-16 050 0086	54500-AX600	177
	54500-BC41A	
	54500-BC42A	
	54560-AX600	
36-16 060 0001/HD	56261-47B01	211
	56261-4F702	

MEYLE no.	Ref. no.	Page
Nissan		
	56261-4F725	
	56261-6F600	
	56261-OE000	
36-16 060 0002	56261-EA500	212
36-16 060 0003	56261-EA510	212
36-16 060 0004	56261-86J00	211
	56261-86J25	
	56261-90J01	
36-16 060 0006	54618VB000	207
36-16 060 0007	54668-EA010	209
36-16 060 0007/S	54618-4M400	203
	54618-50Y00	
	54618-58820	
	54618-D5000	
36-16 060 0008	54618-D5010	206
	54618-EA010	
36-16 060 0011	54618-2F010	202
	54618-50J11	
	54618-50J20	
	54618-54Y10	
	54618-58Y10	
	54618-58Y20	
	54618-58Y21	
	54618-58Y60	
	54618-86J00	
	54618-86J25	
	54618-90J11	
56260-01J10		
36-16 060 0014	54618-47B00	202
	54618-47B01	
	54618-47B0A	
36-16 060 0016	54618-CA000	206
	54618-CA00E	
36-16 060 0017	54668-CA000	209
	54668-CA00E	
36-16 060 0022	54618-0F000	201
	54618-MB40A	
36-16 060 0023	54668-AU000	208
36-16 060 0025	54618-AU000	204
36-16 060 0026/HD	56261-0E000	212
	56261-AV611	
36-16 060 0027/HD	54618-9C000	207
	54668-9C000	
36-16 060 0028/HD	54618-9C002	204
36-16 060 0029	54618-4M400	203
36-16 060 0030/HD	54618-8H300	204

MEYLE no.	Ref. no.	Page
Nissan		
36-16 060 0031/HD	54668-8H300	207
36-16 060 0032/HD	56261-50J00 56261-EQ000	213
36-16 060 0034	54618-0E000	201
36-16 060 0035	56260-51E15	211
36-16 060 0037/HD	54618-4U000 54618-BU70A	205
36-16 060 0040/HD	54668-4U000 54668-BU70A	208
36-16 060 0046/HD	54668-1AA0A 54668-JD00A	209
36-16 060 0047/HD	54618-1AA0A 54618-JD00A	202
36-16 060 0048	55618-JD00A 55618-JY00B	210
36-16 060 0049	55619-JD00A 55619-JY00B	210
36-26 623 0002	54302-AX60K 54302-AX626 E43A2-BC60A	217
36-26 623 0003	54303-AX60K 54303-AX626 54303-AY625 E43A3-BC60A	219
36-26 623 0004	54303-4Z001 54303-4Z029 54303-4Z601 54303-4Z625 54303-4Z910 54303-4Z926 54303-6N100 54303-6N125 54303-6N1X5 54303-6N200 54303-6N225 54303-6N2X5 54303-95F0B 54303-BM418 54303-BM485 54303-BN424 54303-BN425	220
36-26 623 0005	54302-4Z001 54302-4Z029 54302-4Z601 54302-4Z625 54302-4Z910	218

MEYLE no.	Ref. no.	Page
Nissan		
	54302-4Z926 54302-6N100 54302-6N125 54302-6N1X5 54302-6N200 54302-6N225 54302-6N2X5 54302-95F0B 54302-BM418 54302-BM485 54302-BN421 54302-BN424 54302-BN425 54302-BN428	
36-26 623 0008	54303-8H600 54303-8H625 54303-8H725 54303-8H726 54303-EQ025 54303-EQ026	220
36-26 623 0009	54302-8H600 54302-8H625 54302-8H700 54302-8H725 54302-8H726 54302-EQ025 54302-EQ026	218
36-26 623 0012	54303-CJ40C 54303-CJ41C 54303-ED001 54303-ED002 54303-ED025 54303-ED501 54303-ED50A 54303ED50B 54303-ED525 54303-EE50A 54303-EE50B 54303-EE90A 54303-EF80A 54303-EL00A 54303-EM01A 54303-EM30C E4303-EC80A E4303-EE90A E4303-EL00A	225

MEYLE no.	Ref. no.	Page
Nissan		
	E4303-EM01A E4303-EM20A E4303-EM30C	
36-26 623 0013	54302-CJ40C 54302-CJ41C 54302-ED001 54302-ED002 54302-ED025 54302-ED501 54302-ED50A 54302-ED50B 54302-ED525 54302-EE50A 54302-EE50B 54302-EE90A 54302-EF80A 54302-EL00A 54302-EM01A 54302-EM30C E4302-EC80A E4302-EE90A E4302-EL00A E4302-EM01A E4302-EM20A E4302-EM30C	225
36-26 623 0016	44212-51200 54302-43U22 54302-44U22 54302-44U72 54302-44U74 54303-31U13 54303-31U27 54303-31U85 54303-31U88 54303-37U13 54303-37U26 54303-38U13 54303-38U26 54303-40U13 54303-40U85 54303-43U23 54303-44U23 54303-44U28 54303-44U73 54303-44U75	219
36-26 623 0017	44211-51200	217

MEYLE no.	Ref. no.	Page
Nissan		
	54302-31U12 54302-31U25 54302-31U85 54302-31U88 54302-37U12 54302-37U25 54302-38U12 54302-38U25 54302-40U12 54302-40U85 54302-44U22 54302-44U72 54302-44U74	
36-26 625 0001	41069-65D11 41069-65D20 56100-VB725 56110-01J00 56110-01J25 56110-06J00 56110-06J25 56110-21J00 56110-21J25 56110-22J00 56110-22J25 56110-39J00 56110-39J25 56110-VB000 56110-VB010 56110-VB025 56110-VB026 56110-VB700 56110-VB725	222
36-26 723 0000	55303-8H600 55303-8H625 55303-EQ025	221
36-26 723 0001	55302-8H304 55302-8H326 55302-8H600 55302-8H625 55302-EQ025	221
36-26 725 0003	56210-BM400 56210-BM410 56210-BM425 56210-BM426 56210-BM427 56210-BN825	224

MEYLE no.	Ref. no.	Page
Nissan		
36-26 725 0005	56210-4M400	224
	56210-4M405	
	56210-4M425	
	56210-4M426	
	56210-4M427	
	56210-4Z000	
	56210-4Z005	
	56210-4Z025	
	56210-4Z027	
	56210-4Z600	
	56210-4Z625	
	56210-5M400	
	56210-5M425	
	56210-8M400	
	56210-8M600	
36-26 725 0007	56200-ED002	226
	56200-ED00A	
	56200-EE90A	
	56200-EF80D	
	56200-EF80E	
	56200-EM01A	
	56200-EM20A	
	56200-EM30C	
	56200-EW80C	
	56200-EX50A	
	56210-ED001	
	56210-ED002	
	56210-ED00A	
	56210-ED025	
	56210-EE90A	
	56210-EF80D	
	56210-EF80E	
	56210-EM01A	
	56210-EM20A	
	56210-EM30C	
	56210-EW80C	
	56210-EW90D	
	56210-EX50A	
E6210-EC80A		
E6210-ED00A		
E6210-EE90A		
E6210-EM01A		
E6210-EM20A		
E6210-EM30C		

MEYLE no.	Ref. no.	Page
Nissan		
36-26 725 0009	45310-51200	223
	56210-31U00	
	56210-31U25	
	56210-36U00	
	56210-40U00	
	56210-40U25	
	56210-40U26	
	56210-43U00	
	56210-43U01	
	56210-43U26	
	56210-43U27	
36-28 228 0000	21200-77A00	103
	21200-77A05	
	21200-77A60	
	21200-77A66	
	21200-86J00	
	21200-86J01	
	21200-90J00	
36-28 228 0001	21200-2W201	102
	21200-2W202	
	21200-57J05	
	21200-57J15	
36-28 228 0002	21200-0C811	103
	21200-40F00	
	21200-50K00	
	21200-53J00	
	21200-60J00	
	21200-89J00	
	21200-93J00	
36-28 228 0003	21200-4W010	101
36-28 228 0004	21200-47R00	102
	21200-60J11	
	21200-6N210	
36-28 228 0006	21200-9F500	100
	21200-16A00	
	21200-G2401	
36-40 910 0002	21200-Y9701	4
	90450-4F100	
	90450-4F101	
	90450-4F110	
	90450-4F111	
	90451-4F100	
	90451-4F101	
90451-4F110		

MEYLE no.	Ref. no.	Page
Nissan		
	90451-4F111 90452-4F215 90452-4F228 90453-4F228 90453-4F286	
36-40 910 0006	90450-BM400 90450-BM425	3
36-40 910 0007	90450-BU000 90450-BU00B 90451-BU000 90451-BU00B	3
36-40 910 0009	90450-AX000 90450-AX610 90450-AX61B 90451-AX000	3
36-40 910 0011	84430-50J25 84430-90J00	1
36-40 910 0012	90452-3F200	5
36-40 910 0015	84430-2F010 84430-9F500	1
36-40 910 0016	84430-2F000	1
36-40 910 0017	90452-2F705 90452-2F725 90452-6F100	5
36-40 910 0018	90452-9F725	6
36-40 910 0019	90452-2F715 90452-2F726 90452-6F126	5
36-40 910 0020	90452-AU200	6
36-40 910 0021	84430-AV600	2
36-40 910 0023	90452-8F825	6
36-40 910 0024	90452-AV700	7
36-40 910 0031	90450-EQ300 90450-EQ301 90450-EQ30A 90450-EQ30B 90450-EQ31A 90450-EQ325 90450-H3310 90451-EQ30A 90451-EQ31A 90451-EQ325 K0450-EQ30A K0450-EQ30B K0451-EQ30A K0451-EQ30B	4

MEYLE no.	Ref. no.	Page
Nissan		
36-40 910 0032	90450-9U00A	2
37-14 322 0009	15208-HC430	136
39-28 228 0000	21200-05B00	100
40-14 495 0004	39741-4F127	77
40-14 640 0003	-	215
612 083 4004	16546-00QAC	113
612 083 4006	16546-00QAE 16546-00QAP	114
612 319 0015	27298-00QAA	16
612 321 0002	16546-00Q0H 16546-00Q0H	115
612 321 0015	16546-00QAD 16546-00QAT	115
612 321 0016	16546-00Q0G 16546-00QAM	114
612 321 0017	16546-00Q1L	113
613 220 0008	21010-4A00F	106
613 600 0003	21010-00QAD	105
614 160 0018	39241-BU186	76
614 322 0000	15208-31000 15208-31U00 15208-31U01 15208-7B000 15208-9E000 AY100-NS006	134
614 322 0013	15209-00Q0A	137
614 322 0014	15209-00Q0B 15209-00QAA 77014-72321	137
614 322 0018	15209-00Q0D 15209-00Q0G	137
614 323 0000	16400-AW300 16400-AW310	125
614 323 0002	16400-JD51A 16400-JD551A	126
614 323 0003	16405-00QAB	129
614 498 0018	-	87
614 498 0029	-	88
614 525 0006	46201-00QAE	69
614 525 0007	46213-00QAC	72
614 525 0008	46201-00QAF	70
614 525 0016	46201-00QAC	69
614 525 0018	46201-00QAD	69
614 525 0019	46201-00QAH	70
614 525 0020	46213-00QAA	72
614 610 0005	54570-00QAA	195

MEYLE no.	Ref. no.	Page
Nissan		
614 610 0006	54423-00QAA	191
614 615 0005	-	199
614 615 0006	-	200
615 521 0049	40206-00Q0G	22
615 521 6030	40206-00QAD	22
615 521 6031	40206-00QAD	23
615 521 6038	40206-00QAE 40206-00QAF	23
615 523 0022	43206-00QAB 43206-00QAC 43206-00QAD	37
615 523 6037	43206-00QAA	37
616 010 0005/HD	40160-00QAB	162
616 020 0006	48520-00QAH	147
616 020 0008	48520-00QAJ	147
616 020 0009	-	159
616 031 0006	48521-00QAF	142
616 060 0007/HD	54616-00QAB	200
616 060 0008/HD	54618-00QAA	201
626 625 0001	56111-00QAA	222
626 725 0017	56210-00QAD 56210-00QAE 56210-00QAG	222
712 319 0008	27893-9F500 27893-9F500KE 27893-9F900	20
714 495 0018	39241-4F125 39241-4F126	75
714 531 0003	44100-0X810	74
714 860 0004	11065-31N00 11065-9C600 11065-G2400	92

Ref. no.	MEYLE no.	Page
Nissan		
01436-00QAB	16-14 899 0005	89
06902-6260	29-14 533 0007	67
06902-6270	29-14 533 0007	67
06905-3200	29-14 533 0007	67
069053200	014 042 0902	63
11065-00Q00	16-14 860 0010	93
11065-00Q0A	16-14 860 0006	89
11065-00Q0E	16-14 860 0009	90
11065-00QAA	16-14 860 0010	93
11065-00QAE	16-14 860 0006	89
11065-00QAF	16-14 860 0010	93
11065-00QAG	16-14 860 0010	93
11065-0W801	36-14 860 0004	90
11065-31N00	714 860 0004	92
11065-43G01	32-14 860 0002	91
11065-57J00	36-14 860 0002	91
11065-57J9A	36-14 860 0002	91
11065-5C900	36-14 860 0002	91
11065-63G00	32-14 860 0002	91
11065-65N01	36-14 860 0004	90
11065-65N0A	36-14 860 0004	90
11065-6F900	11-14 860 0000	92
11065-7F400	36-14 860 0004	90
11065-9C600	714 860 0004	92
11065-AD200	36-14 860 0003	93
11065-AD201	36-14 860 0003	93
11065-AD20A	36-14 860 0003	93
11065-BN701	16-14 860 0010	93
11065-G2400	714 860 0004	92
11065-T8200	36-14 860 0001	94
11065-T8202	36-14 860 0001	94
11065-V0700	16-14 860 0003	94
11065-V0710	16-14 860 0003	94
11220-BN700	16-14 030 0026	139
11220-BN720	16-14 030 0026	139
11270-00QAA	16-14 030 0082	140
15208-00Q0D	16-14 322 0000	138
15208-00Q0F	16-14 322 0000	138
15208-00Q0G	16-14 322 0000	138
15208-00QAB	16-14 322 0000	138
15208-00QAC	16-14 322 0000	138
15208-00QAF	16-14 322 0000	138
15208-00QAG	16-14 322 0008	130
15208-18G00	36-14 322 0007	131
15208-20N00	36-14 322 0007	131
15208-20N01	36-14 322 0007	131

Ref. no.	MEYLE no.	Page
Nissan		
15208-20N02	36-14 322 0007	131
15208-20N10	36-14 322 0007	131
15208-20N1A	36-14 322 0007	131
15208-31000	614 322 0000	134
15208-31U00	614 322 0000	134
15208-31U01	614 322 0000	134
15208-3J400	36-14 322 0008	134
15208-3J400XX	35-14 322 0000	131
15208-40L00	36-14 322 0007	131
15208-40L01	36-14 322 0007	131
15208-40L02	36-14 322 0007	131
15208-43G00	36-14 322 0001	132
15208-43G0A	36-14 322 0001	132
15208-4A00A	33-14 322 0005	132
15208-53J00	36-14 322 0002	133
15208-53J01	36-14 322 0002	133
15208-55Y00	36-14 322 0004	138
15208-5M300	36-14 322 0005	135
15208-60U00	36-14 322 0004	138
15208-60U01	36-14 322 0004	138
15208-65010	36-14 322 0001	132
15208-65011	36-14 322 0001	132
15208-65014	36-14 322 0001	132
15208-65F00	36-14 322 0008	134
15208-65F01	36-14 322 0008	134
15208-65F0A	36-14 322 0008	134
15208-65F0B	36-14 322 0008	134
15208-65F10	36-14 322 0008	134
15208-6F901	214 322 0002	133
15208-6F905	214 322 0002	133
15208-6F906	214 322 0002	133
15208-70J00	36-14 322 0002	133
15208-70J01	36-14 322 0002	133
15208-71J00	36-14 322 0004	138
15208-71J06	36-14 322 0004	138
15208-7B000	614 322 0000	134
15208-7F400	36-14 322 0001	132
15208-7F40A	36-14 322 0001	132
15208-7M600	36-14 322 0008	134
15208-80W00	36-14 322 0006	133
15208-9C600	36-14 322 0006	133
15208-9E000	614 322 0000	134
15208-9F600	36-14 322 0008	134
15208-AA000	36-14 322 0004	138
15208-AD200	36-14 322 0005	135
15208-AD20A	36-14 322 0005	135

Ref. no.	MEYLE no.	Page
Nissan		
15208-AD300	36-14 322 0005	135
15208-AX625	36-14 322 0002	133
15208-BN300	36-14 322 0003	135
15208-BN30A	36-14 322 0003	135
15208-BN31A	36-14 322 0005	135
15208-BN700	16-14 322 0000	138
15208-BX000A	36-14 322 0002	133
15208-D9705	36-14 322 0006	133
15208-G3100	36-14 322 0004	138
15208-G9900	36-14 322 0001	132
15208-H8901	36-14 322 0004	138
15208-H8903	36-14 322 0004	138
15208H-8903JP	36-14 322 0004	138
15208-H8910	36-14 322 0004	138
15208-H8912	36-14 322 0004	138
15208-HC400	32-14 322 0006	136
15208-HC430	37-14 322 0009	136
15208-W1100	36-14 322 0001	132
15208-W1101	36-14 322 0006	133
15208-W1103	36-14 322 0006	133
15208-W1106	36-14 322 0006	133
15208-W1111	36-14 322 0006	133
15208-W1113	36-14 322 0006	133
15208-W1116	36-14 322 0006	133
15208-W1120	36-14 322 0001	132
15208-W1123	36-14 322 0001	132
15208-W3401	36-14 322 0001	132
15208-W3403	36-14 322 0001	132
15208-Y9701	36-14 322 0001	132
15209-00Q0A	614 322 0013	137
15209-00Q0B	614 322 0014	137
15209-00Q0D	614 322 0018	137
15209-00Q0G	614 322 0018	137
15209-00QAA	614 322 0014	137
15209-00QAC	16-14 322 0006	138
15209-2W200	16-14 322 0006	138
15209-AD200	36-14 322 0005	135
15209-MA70A	16-14 322 0006	138
15310-01700	214 322 0002	133
15410-84380	33-14 323 0001	123
16400-00QAV	16-14 323 0007	127
16400-0W000	36-14 323 0005	127
16400-0W005	36-14 323 0005	127
16400-0W010	36-14 323 0005	127
16400-0W01A	36-14 323 0005	127
16400-10Y00	36-14 323 0010	124

Ref. no.	MEYLE no.	Page
Nissan		
16400-18A20	36-14 323 0001	129
16400-2W202	36-14 323 0001	129
16400-41B00	36-14 323 0005	127
16400-41B05	36-14 323 0005	127
16400-41B1A	36-14 323 0005	127
16400-41B25	36-14 323 0005	127
16400-41B26	36-14 323 0005	127
16400-4U105	16-14 323 0007	127
16400-57J05	36-14 323 0001	129
16400-70J00	314 133 2107 314 133 2108	124
16400-72L00	36-14 323 0010	124
16400-72L05	36-14 323 0010	124
16400-72L10	36-14 323 0010	124
16400-9F910	36-14 323 0005	127
16400-9F927	36-14 323 0005	127
16400-9F928	36-14 323 0005	127
16400-9F928-KE	36-14 323 0005	127
16400-AW300	614 323 0000	125
16400-AW310	614 323 0000	125
16400-BC40A	16-14 323 0007	127
16400-BN303	36-14 323 0004	125
16400-BN30B	36-14 323 0004	125
16400-BN700	16-14 323 0007	127
16400-D0300	36-14 323 0005	127
16400-EC00A	36-14 323 0013	126
16400-F5100	36-14 323 0005	127
16400-G9601	36-14 323 0005	127
16400-JD50A	36-14 323 0012	126
16400-JD51A	614 323 0002	126
16400-JD52A	36-14 323 0012	126
16400-JD551A	614 323 0002	126
16400-V2700	36-14 323 0005	127
16400-V2705	36-14 323 0005	127
16400-VB201	36-14 323 0001	129
16400-VB20C	36-14 323 0001	129
16400-VC100	36-14 323 0001	129
16400-VC10C	36-14 323 0001	129
16401-00QAA	16-14 323 0007	127
16403-2SA00	30-14 323 0001	128
16403-4U105	36-14 323 0014	128
16403-4U11A	36-14 323 0014	128
16403-59E00	36-14 323 0001	129
16403-59E0A	36-14 323 0001	129
16403-7F400	36-14 323 0004	125
16403-7F401	36-14 323 0004	125

Ref. no.	MEYLE no.	Page
Nissan		
16403-7F40A	36-14 323 0004	125
16403-BN303	36-14 323 0004	125
16403-G2400	36-14 323 0001	129
16403-G9900	36-14 323 0001	129
16403-G990A	36-14 323 0001	129
16405-00QAA	36-14 323 0011	129
16405-00QAB	614 323 0003	129
16405-05E01	36-14 323 0001	129
16405-59E00	36-14 323 0001	129
16546-00Q0G	612 321 0016	114
16546-00Q0H	612 321 0002	115
16546-00Q1L	612 321 0017	113
16546-00QAA	16-12 321 0004	115
16546-00QAC	612 083 4004	113
16546-00QAD	612 321 0015	115
16546-00QAE	612 083 4006	114
16546-00QAG	36-12 321 0016	123
16546-00QAK	16-12 321 0007	119
16546-00QAL	16-12 321 0012	114
16546-00QAM	612 321 0016	114
16546-00QAP	612 083 4006	114
16546-00QAR	16-12 321 0009	123
16546-00QAT	612 321 0015	115
16546-00QAU	16-12 321 0004	115
16546-00QOH	612 321 0002	115
16546-04N00	36-12 321 0007	118
16546-0F000	36-12 321 0007	118
16546-0U800	36-12 321 0003	116
16546-0U80A	36-12 321 0003	116
16546-0Z000	34-12 046 0001	121
16546-17B00	36-12 321 0006	117
16546-23000	36-12 321 0001	121
16546-30P00	36-12 321 0014	116
16546-3J400	34-12 046 0001	121
16546-3J410	36-12 321 0006	117
16546-3J41A	36-12 321 0006	117
16546-3S903	36-12 321 0002	117
16546-41B00	36-12 321 0003	116
16546-41B01	36-12 321 0003	116
16546-4A00C	33-12 321 0014	116
16546-4A00F	33-12 321 0014	116
16546-6F900	36-12 321 0005	117
16546-6J400	34-12 046 0001	121
16546-70J10	34-12 046 0001	121
16546-71J00	36-12 321 0009	118
16546-73C00	36-12 321 0006	117

Ref. no.	MEYLE no.	Page
Nissan		
16546-73C01	36-12 321 0006	117
16546-73C10	36-12 321 0006	117
16546-73C11	36-12 321 0006	117
16546-77A10	36-12 321 0009	118
16546-7F000	36-12 321 0002	117
16546-7F002	36-12 321 0002	117
16546-80G00	36-12 321 0007	118
16546-88A00	36-12 321 0009	118
16546-88A10	36-12 321 0009	118
16546-9S000	36-12 321 0012	119
16546-9S001	36-12 321 0012	119
16546-9S00B	36-12 321 0012	119
16546-AA030	36-12 321 0006	117
16546-AW300	36-12 321 0015	119
16546-AX600	36-12 321 0003	116
16546-BC40A	16-12 321 0009	123
16546-BN700	16-12 321 0007	119
16546-BN701	16-12 321 0009	123
16546-BN70A	16-12 321 0009	123
16546-E6810	36-12 321 0012	119
16546-EB300	36-12 321 0013	120
16546-ED000	36-12 321 0004	120
16546-JD20A	36-12 321 0010	120
16546-JD20B	36-12 321 0010	120
16546-JG70A	36-12 321 0010	120
16546-S0100	36-12 321 0001	121
16546-V0100	34-12 046 0001	121
16546-V0110	34-12 046 0001	121
16546-VB300	36-12 321 0011	122
16546-VC10A	36-12 321 0011	122
16546-VK500	36-12 321 0012	119
16546-W2900	34-12 046 0001	121
17801-21030	30-12 321 0015	122
21010-00Q0C	16-13 220 0020	103
21010-00Q0E	16-13 220 0015	104
21010-00Q0K	16-13 220 0026	104
21010-00QAC	16-13 220 0004	105
21010-00QAD	613 600 0003	105
21010-00QAS	16-13 220 0003	105
21010-0F002	36-13 220 0010	109
21010-0F003	36-13 220 0010	109
21010-0M300	36-13 210 0011	108
21010-0M301	36-13 210 0011	108
21010-19B25	36-13 210 0001	106
21010-19BY5	36-13 210 0001	106
21010-22J00	36-13 220 0001	109

Ref. no.	MEYLE no.	Page
Nissan		
21010-22J25	36-13 220 0001	109
21010-22J26	36-13 220 0001	109
21010-24B25	36-13 210 0001	106
21010-28J25	36-13 220 0001	109
21010-28J26	36-13 220 0001	109
21010-31U25	36-13 210 0007	106
21010-31U27	36-13 210 0007	106
21010-31U28	36-13 210 0007	106
21010-31U29	36-13 210 0007	106
21010-31U85	36-13 210 0007	106
21010-41B00	36-13 220 0004	110
21010-41B01	36-13 220 0004	110
21010-41B02	36-13 220 0004	110
21010-41B03	36-13 220 0004	110
21010-4A00F	613 220 0008	106
21010-53J01	36-13 220 0000	107
21010-53J03	36-13 220 0000	107
21010-53J04	36-13 220 0000	107
21010-53J05	36-13 220 0000	107
21010-53Y00	36-13 210 0011	108
21010-53Y01	36-13 210 0011	108
21010-57J00	36-13 220 0002	107
21010-57J01	36-13 220 0002	107
21010-57J02	36-13 220 0002	107
21010-57J03	36-13 220 0002	107
21010-57J25	36-13 220 0002	107
21010-57J26	36-13 220 0002	107
21010-57J27	36-13 220 0002	107
21010-57J28	36-13 220 0002	107
21010-6F900	11-13 012 0158	107
21010-6F907	11-13 012 0158	107
21010-6N225	36-13 220 0014	108
21010-6N226	36-13 220 0014	108
21010-70J00	36-13 220 0000	107
21010-71J00	36-13 210 0011	108
21010-74Y00	36-13 210 0011	108
21010-7F400	36-13 220 0010	109
21010-7Y025	36-13 220 0011	109
21010-7Y026	36-13 220 0011	109
21010-80G25	36-13 220 0010	109
21010-80G26	36-13 220 0010	109
21010-80G27	36-13 220 0010	109
21010-80G28	36-13 220 0010	109
21010-80G85	36-13 220 0010	109
21010-80G89	36-13 220 0010	109
21010-81T00	36-13 220 0001	109

Ref. no.	MEYLE no.	Page
Nissan		
21010-81T25	36-13 220 0001	109
21010-81T26	36-13 220 0001	109
21010-88R10	36-13 210 0011	108
21010-99B00	36-13 220 0004	110
21010-9C600	36-13 220 0003	110
21010-9F501	36-13 220 0000	107
21010-9F600	36-13 220 0005	111
21010-9F605	36-13 220 0005	111
21010-AD200	36-13 220 0007	111
21010-AD225	36-13 220 0007	111
21010-AD226	36-13 220 0007	111
21010-AL527	36-13 220 0011	109
21010-AL528	36-13 220 0011	109
21010-AW300	16-13 220 0011	111
21010-BN700	16-13 220 0003	105
21010-BX000	36-13 220 0012	112
21010-EB300	36-13 220 0016	112
21010-EB30A	36-13 220 0016	112
21010-EE025	36-13 220 0013	112
21010-G2404	36-13 220 0010	109
21010-V7225	36-13 220 0001	109
21010-V7226	36-13 220 0001	109
21010-V7228	36-13 220 0001	109
21010-V7229	36-13 220 0001	109
21010-V7285	36-13 220 0001	109
21010-V7286	36-13 220 0001	109
21010-VK525	36-13 220 0016	112
21200-05B00	39-28 228 0000	100
21200-0C811	36-28 228 0002	103
21200-16A00	36-28 228 0006	100
21200-2W201	36-28 228 0001	102
21200-2W202	36-28 228 0001	102
21200-40F00	36-28 228 0002	103
21200-47R00	36-28 228 0004	102
21200-4M500	30-28 228 0001	101
21200-4W010	36-28 228 0003	101
21200-50K00	36-28 228 0002	103
21200-53J00	36-28 228 0002	103
21200-57J00	028 282 0004	101
21200-57J05	36-28 228 0001	102
21200-57J15	36-28 228 0001	102
21200-60J00	36-28 228 0002	103
21200-60J11	36-28 228 0004	102
21200-6N210	36-28 228 0004	102
21200-77A00	36-28 228 0000	103
21200-77A05	36-28 228 0000	103

Ref. no.	MEYLE no.	Page
Nissan		
21200-77A60	36-28 228 0000	103
21200-77A65	30-28 228 0001	101
21200-77A66	36-28 228 0000	103
21200-86J00	36-28 228 0000	103
21200-86J01	36-28 228 0000	103
21200-89J00	36-28 228 0002	103
21200-90J00	36-28 228 0000	103
21200-90J10	36-28 228 0000	103
21200-93J00	36-28 228 0002	103
21200-93J10	30-28 228 0001	101
21200-93J11	36-28 228 0002	103
21200-9F500	36-28 228 0004	102
21200-9F600	30-28 228 0001	101
21200-G2401	36-28 228 0006	100
21200-Y9701	36-28 228 0006	100
21208-96002	30-28 228 0001	101
22324-00QAB	16-12 321 0009	123
22433-0B000	36-14 885 0001	95
22433-0B001	36-14 885 0001	95
22433-0B010	36-14 885 0001	95
22433-51J10	36-14 885 0001	95
22433-53J20	36-14 885 0001	95
22433-55S10	36-14 885 0001	95
22433-56E11	36-14 885 0001	95
22433-56E12	36-14 885 0001	95
22448-00Q0A	16-14 885 0002	96
22448-00Q0B	16-14 885 0002	96
22448-00QAA	16-14 885 0002	96
22448-00QAB	16-14 885 0002	96
22448-00QAC	16-14 885 0001	95
22448-00QAE	16-14 885 0002	96
22448-00QAH	16-14 885 0002	96
22448-0C801	36-14 885 0001	95
22448-0C802	36-14 885 0001	95
22448-31U01	36-14 885 0003	96
22448-31U06	36-14 885 0004	96
22448-31U11	36-14 885 0003	96
22448-31U16	36-14 885 0004	96
22448-4M500	36-14 885 0000	97
22448-4M50A	36-14 885 0000	97
22448-6N000	36-14 885 0005	97
22448-6N002	36-14 885 0005	97
22448-6N010	36-14 885 0005	97
22448-6N011	16-14 885 0002	96
22448-6N012	36-14 885 0005	97
22448-6N015	36-14 885 0005	97

Ref. no.	MEYLE no.	Page
Nissan		
22448-D4000	36-14 885 0001	95
22630-00Q2H	16-14 899 0011	98
22630-00QAD	16-14 899 0011	98
22630-00QAF	16-14 899 0011	98
22630-BN702	16-14 899 0011	98
22690-17B00	100 900 0000	98
22690-73C00	100 900 0000	98
22731-1F710	214 800 0002	98
23750-00Q0H	16-14 899 0005	89
25500-02500	30-28 228 0001	101
25730-16B00	100 953 0012	99
271T2-00A00	16-12 320 0022	13
27274-3Y700	36-12 320 0000	13
27274-7J125	36-12 319 0007/S	20
27274-EA000	36-12 319 0004/S	14
27274-EA000-D	36-12 319 0004/S	14
27274-EA000-S	36-12 319 0004/S	14
27274-ED000	36-12 319 0008	19
27275-1N600	36-12 319 0009/S	14
27275-1N601	36-12 319 0003/S 36-12 319 0009/S	14
27275-1N625	36-12 319 0009/S	14
27275-1N626	36-12 319 0003/S	14
27275-1N6P6	36-12 319 0003/S	14
27276-1N605	36-12 319 0003/S	14
27277-00A26	16-12 319 0022	15
27277-1HE0E	36-12 319 0010 36-12 320 0010	15
27277-1KA0A	16-12 319 0022	15
27277-1KA4A	16-12 319 0022	15
27277-3Y525	36-12 320 0000	13
27277-4M400	36-12 319 0006	20
27277-4M425	36-12 319 0006	20
27277-5U100	36-12 319 0006	20
27277-9W125	36-12 319 0006	20
27277-EN000	36-12 319 0005 36-12 320 0005	16
27277-EN025	36-12 319 0005 36-12 320 0005	16
27277-JD10A	36-12 320 0005	16
27277-WD000	36-12 319 0006	20
27298-00QAA	612 319 0015	16
27891-00Q0D	16-12 319 0019/S 16-12 320 0019/S	17
27891-00QAA	16-12 319 0001	21
27891-4A00C	33-12 319 0005	17

Ref. no.	MEYLE no.	Page
Nissan		
27891-AX010	36-12 319 0002	18
27891-AX01A	16-12 319 0003	18
27891-BM400	36-12 319 0000	18
27891-BM401	36-12 319 0000	18
27891-BM402	36-12 319 0000	18
27891-BM410	36-12 319 0000	18
27891-EC00A	36-12 319 0008	19
27891-EL00A	36-12 319 0008	19
27893-6F600	36-12 319 0001	19
27893-6F600KE	36-12 319 0001	19
27893-9F500	712 319 0008	20
27893-9F500KE	712 319 0008	20
27893-9F900	712 319 0008	20
2K003-30361	36-12 319 0006	20
36160-51N25	36-14 533 0011	68
36160-C9625	36-14 533 0011	68
37200-3Y000	36-12 320 0000	13
39100-0M301	36-14 498 0011	82
39100-0M900	36-14 498 0011	82
39100-0M905	36-14 498 0011	82
39100-2F010	36-14 498 0029	79
39100-41B00	36-14 498 0018	78
39100-41B05	36-14 498 0018	78
39100-41F100	36-14 498 0018	78
39100-41F400	36-14 498 0018	78
39100-44B00	36-14 498 0017	81
39100-44B02	36-14 498 0017	81
39100-44B10	36-14 498 0017	81
39100-44B12	36-14 498 0017	81
39100-45B00	36-14 498 0018	78
39100-4F100	36-14 498 0018	78
39100-4F400	36-14 498 0028	81
39100-50Y10	36-14 498 0021	78
39100-51Y10	36-14 498 0021	78
39100-52Y10	36-14 498 0021	78
39100-53Y10	36-14 498 0021	78
39100-60Y00	36-14 498 0011	82
39100-60Y05	36-14 498 0011	82
39100-60Y10	36-14 498 0012	82
39100-60Y15	36-14 498 0012	82
39100-61Y06	36-14 498 0011	82
39100-61Y16	36-14 498 0012	82
39100-62Y00	36-14 498 0012	82
39100-62Y05	36-14 498 0011	82
39100-62Y10	36-14 498 0012	82
39100-62Y15	36-14 498 0012	82

Ref. no.	MEYLE no.	Page
Nissan		
39100-63Y00	36-14 498 0011	82
39100-63Y01	36-14 498 0011	82
39100-63Y10	36-14 498 0012	82
39100-63Y11	36-14 498 0012	82
39100-71J00	36-14 498 0008	83
39100-72J10	36-14 498 0019	83
39100-72J20	36-14 498 0006	83
39100-73J00	36-14 498 0006	83
39100-73J20	36-14 498 0019	83
39100-73N00	36-14 498 0015	79
39101-0M301	36-14 498 0011	82
39101-0M900	36-14 498 0011	82
39101-0M905	36-14 498 0011	82
39101-2F011	36-14 498 0029	79
39101-41B00	36-14 498 0018	78
39101-41B05	36-14 498 0018	78
39101-41F100	36-14 498 0018	78
39101-41F400	36-14 498 0018	78
39101-44B00	36-14 498 0017	81
39101-44B02	36-14 498 0017	81
39101-44B10	36-14 498 0017	81
39101-44B12	36-14 498 0017	81
39101-45B00	36-14 498 0018	78
39101-4F100	36-14 498 0018	78
39101-4F400	36-14 498 0028	81
39101-50Y01	36-14 498 0024	79
39101-50Y10	36-14 498 0021	78
39101-50Y11	36-14 498 0021	78
39101-51Y10	36-14 498 0021	78
39101-52Y10	36-14 498 0021	78
39101-53Y10	36-14 498 0021	78
39101-60Y00	36-14 498 0011	82
39101-60Y05	36-14 498 0011	82
39101-60Y10	36-14 498 0012	82
39101-60Y15	36-14 498 0012	82
39101-61Y07	36-14 498 0011	82
39101-61Y17	36-14 498 0012	82
39101-62Y00	36-14 498 0012	82
39101-62Y05	36-14 498 0011	82
39101-62Y10	36-14 498 0012	82
39101-62Y15	36-14 498 0012	82
39101-62Y16	36-14 498 0012	82
39101-63Y00	36-14 498 0011	82
39101-63Y01	36-14 498 0011	82
39101-63Y11	36-14 498 0012	82
39101-63Y15	36-14 498 0012	82

Ref. no.	MEYLE no.	Page
Nissan		
39101-70J00	36-14 498 0008	83
39101-73J00	36-14 498 0006	83
39101-73J20	36-14 498 0019	83
39101-73N00	36-14 498 0015	79
39101-73N01	36-14 498 0015	79
39211-2F025	36-14 498 0029	79
39211-2F225	36-14 498 0020	80
39211-4F125	36-14 498 0018	78
39211-4F126	36-14 498 0031	80
39211-4F425	36-14 498 0028	81
39211-4F426	36-14 498 0017	81
39211-60Y00	36-14 498 0011	82
39211-60Y10	36-14 498 0012	82
39211-71J25	36-14 498 0008	83
39211-71J27	36-14 498 0008	83
39211-72J25	36-14 498 0019	83
39211-73J25	36-14 498 0006	83
39211-73J26	36-14 498 0006	83
39211-73J27	36-14 498 0019	83
39211-7F000	36-14 498 0035	84
39211-99999	36-14 498 0015	79
39211-9F626	36-14 498 0026	84
39211-AU325	36-14 498 0026	84
39211-AV625	36-14 498 0027	85
39211-AY125	36-14 498 0036	85
39211-AY625	36-14 498 0034	85
39211-BM526	36-14 498 0033	86
39211-BM726	36-14 498 0032	86
39241-01A01	36-14 495 0012	75
39241-01A26	36-14 495 0012	75
39241-01A27	36-14 495 0012	75
39241-01A28	36-14 495 0012	75
39241-01A29	36-14 495 0012	75
39241-01A88	36-14 495 0012	75
39241-01A91	36-14 495 0012	75
39241-4F125	714 495 0018	75
39241-4F126	714 495 0018	75
39241-4F425	36-14 495 0002	75
39241-4F427	36-14 495 0002	75
39241-73J25	36-14 495 0003	76
39241-BM525	30-14 495 0001	76
39241-BM526	30-14 495 0001	76
39241-BM527	30-14 495 0001	76
39241-BU186	614 160 0018	76
39741-2F026	36-14 495 0009	77
39741-4F125	36-14 495 0011	77

Ref. no.	MEYLE no.	Page
Nissan		
39741-4F126	36-14 495 0009	77
39741-4F127	40-14 495 0004	77
39741-4F425	36-14 495 0009	77
40110-01G00	36-16 010 0001	160
40110-01G25	36-16 010 0001	160
40110-01G26	36-16 010 0001	160
40110-0F000	36-16 010 0001	160
40110-2S485	36-16 010 0012	160
40110-2S486	36-16 010 0012	160
40110-B9500	36-16 010 0001	160
40110EA000	36-16 010 0023	160
40110-T6000	36-16 010 0001	160
40110-T6025	36-16 010 0001	160
40110-V0100	36-16 010 0001	160
40160-000AC	16-16 010 0009	161
40160-000AD	16-16 010 0009	161
40160-00Q0B	16-16 010 0020	161
40160-00Q0C	16-16 010 0010	162
40160-00QAB	616 010 0005/HD	162
40160-01E00	36-16 010 0010	163
40160-01E25	36-16 010 0010	163
40160-0F000	36-16 010 0003	164
40160-0M010	36-16 010 0039	165
40160-0M020	36-16 010 0039	165
40160-2S601	36-16 010 0019	162
40160-2Y000	36-16 010 0045	163
40160-4F100	36-16 010 0040	166
40160-50A00	36-16 010 0006	167
40160-50J25	36-16 010 0006	167
40160-50W00	36-16 010 0003	164
40160-50W01	36-16 010 0003	164
40160-50W10	36-16 010 0003	164
40160-50W25	36-16 010 0003	164
40160-50Y00	36-16 010 0039	165
40160-50Y02	36-16 010 0039	165
40160-50Y0R	36-16 010 0039	165
40160-50Y10	36-16 010 0039	165
40160-51E00	36-16 010 0010	163
40160-52Y00	36-16 010 0039	165
40160-52Y10	36-16 010 0039	165
40160-52Y20	36-16 010 0039	165
40160-60Y00	36-16 010 0039	165
40160-60Y10	36-16 010 0039	165
40160-60Y20	36-16 010 0039	165
40160-60Y60	36-16 010 0006	167
40160-69C00	36-16 010 0006	167

Ref. no.	MEYLE no.	Page
Nissan		
40160-69Y00	36-16 010 0039	165
40160-69Y10	36-16 010 0039	165
40160-70J00	36-16 010 0006	167
40160-7F000	36-16 010 0050	163
40160-85E00	36-16 010 0010	163
40160-86M00	36-16 010 0006	167
40160-93G00	36-16 010 0003	164
40160-93G25	36-16 010 0003	164
40160-93G26	36-16 010 0003	164
40160-9W200*	36-16 010 0000	167
40160-AX000	36-16 010 0044	169
40160-EA00A	36-16 010 0025	164
40160-F4200	36-16 010 0039	165
40160-J7500	36-16 010 0006	167
40160-S0W25	36-16 010 0003	164
40160-Y02G0	36-16 010 0039	165
40161-50W01	36-16 010 0003	164
40161-52Y10	36-16 010 0039	165
40161-93G26	36-16 010 0003	164
40202-4F100	36-14 402 0202	232
40202-4M400	36-14 652 0000	232
40202-90J00	36-14 402 0204	232
40202-JG000	36-14 652 0003	233
40204-AX600	36-14 652 0001	233
40206-00Q0G	615 521 0049	22
40206-00QAA	16-15 521 0000	22
40206-00QAD	615 521 6030 615 521 6031	22-23
40206-00QAE	615 521 6038	23
40206-00QAF	615 521 6038	23
40206-00QAJ	16-15 521 0003	24
40206-0F000	36-15 521 0009	27
40206-0F001	36-15 521 0009	27
40206-0M601	36-15 521 0019	24
40206-0M602	36-15 521 0019	24
40206-0M801	36-15 521 0023	24
40206-0M802	36-15 521 0023	24
40206-1HA0A	36-15 521 0054	25
40206-1KA3A	36-15 521 0053	25
40206-1W600	36-15 521 0024	36
40206-2F500	36-15 521 0018	32
40206-2F501	36-15 521 0018	32
40206-2N301	36-15 521 0046 36-15 521 0046/PD	26
40206-2S400	36-15 521 0037/PD	27
40206-2S401	36-15 521 0037/PD	27

Ref. no.	MEYLE no.	Page
Nissan		
40206-31G00	36-15 521 0009	27
40206-31G01	36-15 521 0009	27
40206-31G03	36-15 521 0009	27
40206-37J01	36-15 521 0048	28
40206-3LG0A	36-15 521 0059	28
40206-3X00B	36-15 521 0051 36-15 521 0051/PD	29
40206-3Y502	36-15 521 0027	30
40206-3Y503	36-15 521 0027	30
40206-4A00G	33-15 521 0008	30
40206-4U101	36-15 521 0027	30
40206-4U103	36-15 521 0027	30
40206-4U107	36-15 521 0027	30
40206-55F01	36-15 521 0018	32
40206-55F03	36-15 521 0018	32
40206-58A00	36-15 521 0011	31
40206-58A01	36-15 521 0011	31
40206-5F001	36-15 521 0001	31
40206-5F003	36-15 521 0001	31
40206-5X00A	36-15 521 0051 36-15 521 0051/PD	29
40206-60Y00	36-15 521 0011	31
40206-60Y01	36-15 521 0011	31
40206-6W500	36-15 521 0024	36
40206-71E00	36-15 521 0014	32
40206-71E01	36-15 521 0014	32
40206-71E02	36-15 521 0014	32
40206-71E03	36-15 521 0014	32
40206-71E05	36-15 521 0014	32
40206-71E06	36-15 521 0014	32
40206-71E07	36-15 521 0014	32
40206-73L01	36-15 521 0018	32
40206-7J101	36-15 521 0018	32
40206-93J00	36-15 521 0014	32
40206-93J01	36-15 521 0014	32
40206-AX600	16-15 521 0009	33
40206-AX602	16-15 521 0009	33
40206-AX603	16-15 521 0009	33
40206-C7000	36-15 521 0048	28
40206-C7001	36-15 521 0048	28
40206-CA010	36-15 521 0050/PD	34
40206-EA00A	36-15 521 0033	33
40206-EB300	36-15 521 0033	33
40206-EB320	36-15 521 0051 36-15 521 0051/PD	29
40206-EG000	36-15 521 0050/PD	34

Ref. no.	MEYLE no.	Page
Nissan		
40206-EM10A	36-15 521 0052	34
40206-ET01A	36-15 521 0045/PD	35
40206-G9500	36-15 521 0048	28
40206-JD00A	36-15 521 0047/PD	35
40206-JG00A	36-15 521 0047/PD	35
40206-JX00A	36-15 521 0059	28
40206-VB000	36-15 521 0049	36
40206-VB001	36-15 521 0049	36
40206-VE800	36-15 521 0024	36
40206-VJ200	36-15 521 0009	27
40210-00QAC	16-14 650 0004	229
40210-00QAG	16-14 650 0013	229
40210-4M400*	36-14 650 0003	230
40210-99B00	36-14 650 0002	230
40210-A0100	014 098 0025	228
40210-AX000	16-14 650 0011	230
40215-D0100	014 098 0029	228
41060-00QAD	025 236 1318 025 236 1318/PD	44–45
41060-00QAE	025 230 9918 025 230 9918/PD	45–46
41060-00QAF	025 219 8018 025 219 8018/PD	46
41060-00QAG	025 219 8018 025 219 8018/PD	46
41060-08N90	025 213 4717	53
41060-08N91	025 213 4717	53
41060-08N92	025 213 4717	53
41060-09G90	025 213 4717	53
41060-17U90	025 230 8617/W	49
41060-1E090	025 230 8617/W	49
41060-1N060	025 230 0415/W	47
41060-1N090	025 230 0415/W	47
41060-1N890	025 230 0415/W	47
41060-23C90	025 213 4717	53
41060-23C91	025 213 4717	53
41060-23C92	025 213 4717	53
41060-23C93	025 213 4717	53
41060-23C94	025 213 4717	53
41060-25N25	025 213 4717	53
41060-2F025	025 215 4617	48
41060-2F525	025 234 6316 025 234 6316/PD	51–52
41060-2F526	025 234 6316 025 234 6316/PD	51–52
41060-2F527	025 234 6316	51–52

Ref. no.	MEYLE no.	Page
Nissan		
	025 234 6316/PD	
41060-2S790	025 213 4717	53
41060-2X825	025 214 8115	50
41060-32G91	025 213 4717	53
41060-32G92	025 213 4717	53
41060-32G94	025 213 4717	53
41060-32R94	025 217 2517/W	48
41060-38U90	025 230 8617/W	49
41060-3S590	025 213 4717	53
41060-3S591	025 213 4717	53
41060-44F92	025 217 2517/W	48
41060-48R91	025 217 2517/W	48
41060-4A00B	025 235 0715	47
41060-4M525	025 215 4617	48
41060-4M526	025 215 4617	48
41060-4U125	025 230 9416/W	51
41060-4U126	025 230 9416/W	51
41060-4U127	025 230 9416/W	51
41060-50Y94	025 216 5716/W	47
41060-5M325	025 234 6316 025 234 6316/PD	51–52
41060-5M326	025 234 6316 025 234 6316/PD	51–52
41060-62C90	025 216 5716/W	47
41060-63C90	025 216 5716/W	47
41060-63Y90	025 216 5716/W	47
41060-6F625	025 216 2615	49
41060-6N091	025 246 4815/W	49
41060-6N0X1	025 246 4815/W	49
41060-71J25	025 215 4617	48
41060-71J26	025 215 4617	48
41060-7Z025	025 239 7017/W	60
41060-80N90	025 217 2517/W	48
41060-89E92	025 230 8617/W	49
41060-8H785	025 234 2016/W	58
41060-95F0A	025 246 4815/W	49
41060-95F0B	025 246 4815/W	49
41060-99B25	025 216 2615	49
41060-99B26	025 216 2615	49
41060-9C125	025 214 8115	50
41060-9C525	025 214 8115	50
41060-9C526	025 214 8115	50
41060-9F525	025 231 6017	50
41060-AV125	025 230 9416/W	51
41060-AV126	025 230 9416/W	51
41060-AX625	025 239 7317	58–59

Ref. no.	MEYLE no.	Page
Nissan		
	025 239 7317/PD	
41060-BM425	025 215 4617	48
41060-BM525	025 234 6316 025 234 6316/PD	51-52
41060-C8186	025 208 6316	53
41060-CA090	025 240 5615/W	61
41060-CA092	025 240 5615/W	61
41060-CA093	025 240 5615/W	61
41060-CC090	025 236 9816/W	52
41060-CG00J	025 240 5615/W	61
41060-EB325	025 236 9816/W	52
41060-EB326	025 242 2716/W	52
41060-G9800	025 208 6316	53
41060-T7893	025 208 6316	53
41060-V7085	025 213 4717	53
41060-V7090	025 213 4717	53
41060-VB290	025 236 1118/W	60
41060-VC091	025 236 1118/W	60
41060-VC290	025 236 1118/W	60
41060-VK190	025 239 7017/W	60
41060-ZA525	025 240 5615/W	61
41069-65D11	36-26 625 0001	222
41069-65D20	36-26 625 0001	222
41139-9F525	014 698 0006 014 698 0006/S	62
41142-9F525	014 698 0006 014 698 0006/S	62
43200-00QAF	16-15 523 0002	63
43200-00QAG	16-15 523 0002	63
43200-0M001	36-14 750 0001	233
43200-2F500	36-14 752 0000	234
43200-2Y000	36-14 750 0001	233
43200-50Y00	36-14 750 0001	233
43200-50Y05	36-14 750 0001	233
43200-5F617	36-14 750 0002	234
43200-9F510	36-14 752 0000	234
43200-AV700	36-14 652 0004	235
43202-00QAC	16-14 752 0006	235
43202-JG200	36-14 750 0005	235
43202-JG21A	36-14 750 0005	235
43206-00QAA	615 523 6037	37
43206-00QAB	615 523 0022	37
43206-00QAC	615 523 0022	37
43206-00QAD	615 523 0022	37
43206-05J03	36-15 523 0039	44
43206-05J04	36-15 523 0039	44

Ref. no.	MEYLE no.	Page
Nissan		
43206-2Y503	36-15 523 0015	38
43206-4U001	36-15 523 0015	38
43206-4U101	36-15 523 0022	38
43206-4U103	36-15 523 0022	38
43206-54C00	36-15 523 0032	39
43206-54C01	36-15 523 0032	39
43206-58Y00	36-15 523 0017	39
43206-58Y01	36-15 523 0017	39
43206-5F001	36-15 523 0024	40
43206-5M311	36-15 523 0001	41
43206-8H305	36-15 523 0021 36-15 523 0021/PD	40-41
43206-8H700	36-15 523 0021 36-15 523 0021/PD	40-41
43206-8H701	36-15 523 0021 36-15 523 0021/PD	40-41
43206-99J00	36-15 523 0001	41
43206-99J01	36-15 523 0001	41
43206-99J04	36-15 523 0034	42
43206-CA000	36-15 523 0027/PD	42
43206-EB300	36-15 523 0035 36-15 523 0035/PD	43
43206-EG000	36-15 523 0027/PD	42
43206-JD00A	36-15 523 0033/PD	44
43206-VB000	36-15 523 0039	44
43206-WA201	36-15 523 0015	38
43206-WL000	36-15 523 0027/PD	42
43210-00QAB	16-14 750 0014	231
43210-00QAD	16-14 750 0018	231
43210-AZ000	16-14 650 0001	231
44060-00QAE	025 236 6916 025 236 6916/PD	54
44060-00QAF	025 239 8017 025 239 8017/PD	54-55
44060-00QAG	16-14 533 0002 16-14 533 0024/K	64
44060-00QAK	16-14 533 0001	65
44060-0F026	36-14 533 0017	66
440600-N690	025 217 1316/W	61
44060-0W725	36-14 533 0013	68
44060-0W726	36-14 533 0013	68
44060-0W727	36-14 533 0013	68
44060-0X825	36-14 533 0014	64
44060-37G25	36-14 533 0013	68
44060-37G26	36-14 533 0013	68
44060-37G27	36-14 533 0013	68

Ref. no.	MEYLE no.	Page
Nissan		
44060-3F025	025 215 4515 025 215 4515/PD	55
44060-3F085	025 215 4515 025 215 4515/PD	55
44060-3J325	16-14 533 0001	65
44060-4U090	025 217 1316/W	61
44060-50Y25	36-14 533 0016	65
44060-54C91	025 217 1316/W	61
44060-56G26	36-14 533 0013	68
44060-5M490	025 217 1316/W	61
44060-63C90	025 217 1316/W	61
44060-6E390	025 217 1316/W	61
44060-6F625	36-14 533 0004	65
44060-70J26	025 215 4515 025 215 4515/PD	55
44060-73C91	025 217 1316/W	61
44060-75C90	025 217 1316/W	61
44060-78N91	025 217 1316/W	61
44060-7C326	36-14 533 0017	66
44060-7E690	025 217 1316/W	61
44060-87N90	025 217 1316/W	61
44060-8H385	025 238 7114/W	56
44060-8M126	36-14 533 0012	68
44060-99B25	025 234 5415	56
44060-99B26	36-14 533 0003 36-14 533 0004	65–66
44060-99B85	025 234 5415	56
44060-9C025	36-14 533 0017	66
44060-9X129	36-14 533 0014	64
44060-AL585	025 238 7114/W	56
44060-AL586	025 238 7114/W	56
44060-AL588	025 238 7114/W	56
44060-AV625	025 234 8216 025 234 8216/PD	57
44060-AV725	025 234 8216 025 234 8216/PD	57
44060-AX625	36-14 533 0005	66
44060-BM425	025 215 4515 025 215 4515/PD	55
44060-BM426	025 215 4515 025 215 4515/PD	55
44060-CY025	36-14 533 0009	67
44060-EB325	025 242 4016/W	57
44060-EB327	36-14 533 0008	67
44060-VB190	025 235 0216/W	58
44060-VC090	025 235 0216/W	58

Ref. no.	MEYLE no.	Page
Nissan		
44065-53F92	025 217 1316/W	61
44071-EB70A	36-14 533 0008	67
44100-0X810	714 531 0003	74
44100-5F600	36-14 531 0000	74
44100-6F611	36-14 531 0000	74
44100-99B12	36-14 531 0000	74
44100-AX600	36-14 531 0001	74
44100-BH00A	36-14 531 0001	74
44211-51200	36-26 623 0017	217
44212-51200	36-26 623 0016	219
45310-51200	36-26 725 0009	223
46201-00QAC	614 525 0016	69
46201-00QAD	614 525 0018	69
46201-00QAE	614 525 0006	69
46201-00QAF	614 525 0008	70
46201-00QAG	16-14 525 0009	70
46201-00QAH	614 525 0019	70
46210-5F001	36-14 525 0000	71
46210-5F002	36-14 525 0000	71
46210-5F006	36-14 525 0001	71
46210-5F007	36-14 525 0001	71
46210-9U00A	36-14 525 0004	71
46210-9U01A	36-14 525 0005	72
46210-AX601	36-14 525 0004	71
46210-AX606	36-14 525 0005	72
46213-00QAA	614 525 0020	72
46213-00QAC	614 525 0007	72
46214-5F000	36-14 525 0003	73
46214-5F001	36-14 525 0003	73
46214-9U00A	36-14 525 0006	73
46214-AX600	36-14 525 0006	73
48001JD900*	36-16 031 0010	141
48203-00QAD	16-14 620 0001	141
48330-05000	29-14 533 0007	67
48510-31G25	36-16 030 0014	147
48520-00QAH	616 020 0006	147
48520-00QAJ	616 020 0008	147
48520-00QAK	16-16 020 0009	148
48520-00QAL	16-16 020 0008	148
48520-00QAM	16-16 031 0004	141
48520-00QAN	16-16 020 0006	148
48520-00QAP	16-16 020 0000	149
48520-01B25	36-16 020 0078	150
48520-01E00	36-16 020 0053	149
48520-01E25	36-16 020 0053	149
48520-01E26	36-16 020 0053	149

Ref. no.	MEYLE no.	Page
Nissan		
48520-02E00	36-16 020 0053	149
48520-02E25	36-16 020 0053	149
48520-02E26	36-16 020 0053	149
48520-0C000	36-16 020 0086	149
48520-0M025	36-16 020 0053	149
48520-0M085	36-16 020 0086	149
48520-0P725	36-16 020 0088	156
48520-0W025	36-16 020 0088	156
48520-15U25	36-16 020 0086	149
48520-17B25	36-16 020 0078	150
48520-2S420	36-16 020 0030	150
48520-2S485	36-16 020 0030	150
48520-31G25	36-16 020 0008	151
48520-35F25	36-16 020 0053	149
48520-3S500	36-16 020 0088	156
48520-3S525	36-16 020 0088	156
48520-3U025	36-16 020 0028	153
48520-4F125	36-16 020 0070	151
48520-50Y25	36-16 020 0053	149
48520-61G25	36-16 020 0008	151
48520-6F625	36-16 020 0070	151
48520-73J25	36-16 020 0077	151
48520-76J25	36-16 020 0077	151
48520-7F000	36-16 020 0008	151
48520-7F001	36-16 020 0009	154
48520-AX600	36-16 020 0090/HD	152
48520-AX602	16-16 020 0016	152
48520-BM425	36-16 020 0084	153
48520-CB025	36-16 020 0031	157
48520-D0100	36-16 020 0053	149
48520-D0125	36-16 020 0053	149
48520-D0126	36-16 020 0053	149
48520-EA01J	36-16 020 0017	153
48520-Q9000	36-16 020 0053	149
48521-00QAA	16-16 031 0011	142
48521-00QAF	616 031 0006	142
48521-00QAG	16-16 031 0008	142
48521-01B25	36-16 030 0062	143
48521-01B26	36-16 030 0062	143
48521-06R05	36-16 030 0001	144
48521-06R06	36-16 030 0001	144
48521-17B00	36-16 030 0062	143
48521-17B25	36-16 030 0062	143
48521-31G25	36-16 020 0009	154
48521-3U025	36-16 031 0064	143
48521-4M500	36-16 031 0005	143

Ref. no.	MEYLE no.	Page
Nissan		
48521-4M528	36-16 031 0005	143
48521-4U110	36-16 031 0008	144
48521-4U185	36-16 031 0008	144
48521-4U186	36-16 031 0008	144
48521-50000	36-16 030 0009	144
48521-50400	36-16 030 0009	144
48521-50Y00	36-16 030 0009	144
48521-50Y25	36-16 030 0009	144
48521-71C00	36-16 030 0001	144
48521-71L00	36-16 030 0001	144
48521-71V06	36-16 030 0001	144
48521-72E00	36-16 030 0001	144
48521-72E06	36-16 030 0001	144
48521-72V06	36-16 030 0001	144
48521-8H300	36-16 031 0005	143
48521-8H325	36-16 031 0005	143
48521-8H328	36-16 031 0005	143
48521-8H385	36-16 031 0005	143
48521-8H386	36-16 031 0005	143
48521-CA025	36-16 031 0058	145
48521-EA000	36-16 030 0022	145
48521-Y02G0	36-16 030 0009	144
48527-1U61A	36-16 020 0028	153
48527-JD01A	36-16 020 0091	154
48570-31G25	36-16 020 0009	154
48570-61G25	36-16 020 0009	154
48630-31G25	36-16 030 0014	147
48640-3U025	36-16 020 0027	156
48640-AX600	36-16 020 0081/HD	155
48640-AX602	16-16 020 0014	155
48640-EA01J	36-16 020 0018	155
48647-1U61A	36-16 020 0027	156
48647-JD01A	36-16 020 0092	156
49001-AV610*	36-16 031 0009	146
49001-BA210*	36-16 031 0009	146
54302-00Q0B	16-26 623 0007	216
54302-00QAC	16-26 613 0006	216
54302-00QAD	16-26 613 0006	216
54302-00QAE	16-26 613 0006	216
54302-00QAF	16-26 613 0006	216
54302-31U12	36-26 623 0017	217
54302-31U25	36-26 623 0017	217
54302-31U85	36-26 623 0017	217
54302-31U88	36-26 623 0017	217
54302-37U12	36-26 623 0017	217
54302-37U25	36-26 623 0017	217

Ref. no.	MEYLE no.	Page
Nissan		
54302-38U12	36-26 623 0017	217
54302-38U25	36-26 623 0017	217
54302-40U12	36-26 623 0017	217
54302-40U85	36-26 623 0017	217
54302-43U22	36-26 623 0016	219
54302-44U22	36-26 623 0016 36-26 623 0017	217, 219
54302-44U72	36-26 623 0016 36-26 623 0017	217, 219
54302-44U74	36-26 623 0016 36-26 623 0017	217, 219
54302-4Z001	36-26 623 0005	218
54302-4Z029	36-26 623 0005	218
54302-4Z601	36-26 623 0005	218
54302-4Z625	36-26 623 0005	218
54302-4Z910	36-26 623 0005	218
54302-4Z926	36-26 623 0005	218
54302-6N100	36-26 623 0005	218
54302-6N125	36-26 623 0005	218
54302-6N1X5	36-26 623 0005	218
54302-6N200	36-26 623 0005	218
54302-6N225	36-26 623 0005	218
54302-6N2X5	36-26 623 0005	218
54302-8H600	36-26 623 0009	218
54302-8H625	36-26 623 0009	218
54302-8H700	36-26 623 0009	218
54302-8H725	36-26 623 0009	218
54302-8H726	36-26 623 0009	218
54302-95F0B	36-26 623 0005	218
54302-AX60K	36-26 623 0002	217
54302-AX626	36-26 623 0002	217
54302-BM418	36-26 623 0005	218
54302-BM485	36-26 623 0005	218
54302-BN421	36-26 623 0005	218
54302-BN424	36-26 623 0005	218
54302-BN425	36-26 623 0005	218
54302-BN428	36-26 623 0005	218
54302-CJ40C	36-26 623 0013	225
54302-CJ41C	36-26 623 0013	225
54302-ED001	36-26 623 0013	225
54302-ED002	36-26 623 0013	225
54302-ED025	36-26 623 0013	225
54302-ED501	36-26 623 0013	225
54302-ED50A	36-26 623 0013	225
54302-ED50B	36-26 623 0013	225
54302-ED525	36-26 623 0013	225

Ref. no.	MEYLE no.	Page
Nissan		
54302-EE50A	36-26 623 0013	225
54302-EE50B	36-26 623 0013	225
54302-EE90A	36-26 623 0013	225
54302-EF80A	36-26 623 0013	225
54302-EL00A	36-26 623 0013	225
54302-EM01A	36-26 623 0013	225
54302-EM30C	36-26 623 0013	225
54302-EQ025	36-26 623 0009	218
54302-EQ026	36-26 623 0009	218
54303-31U13	36-26 623 0016	219
54303-31U27	36-26 623 0016	219
54303-31U85	36-26 623 0016	219
54303-31U88	36-26 623 0016	219
54303-37U13	36-26 623 0016	219
54303-37U26	36-26 623 0016	219
54303-38U13	36-26 623 0016	219
54303-38U26	36-26 623 0016	219
54303-40U13	36-26 623 0016	219
54303-40U85	36-26 623 0016	219
54303-43U23	36-26 623 0016	219
54303-44U23	36-26 623 0016	219
54303-44U28	36-26 623 0016	219
54303-44U73	36-26 623 0016	219
54303-44U75	36-26 623 0016	219
54303-4Z001	36-26 623 0004	220
54303-4Z029	36-26 623 0004	220
54303-4Z601	36-26 623 0004	220
54303-4Z625	36-26 623 0004	220
54303-4Z910	36-26 623 0004	220
54303-4Z926	36-26 623 0004	220
54303-6N100	36-26 623 0004	220
54303-6N125	36-26 623 0004	220
54303-6N1X5	36-26 623 0004	220
54303-6N200	36-26 623 0004	220
54303-6N225	36-26 623 0004	220
54303-6N2X5	36-26 623 0004	220
54303-8H600	36-26 623 0008	220
54303-8H625	36-26 623 0008	220
54303-8H725	36-26 623 0008	220
54303-8H726	36-26 623 0008	220
54303-95F0B	36-26 623 0004	220
54303-AX60K	36-26 623 0003	219
54303-AX626	36-26 623 0003	219
54303-AY625	36-26 623 0003	219
54303-BM418	36-26 623 0004	220
54303-BM485	36-26 623 0004	220

Ref. no.	MEYLE no.	Page
Nissan		
54303-BN424	36-26 623 0004	220
54303-BN425	36-26 623 0004	220
54303-CJ40C	36-26 623 0012	225
54303-CJ41C	36-26 623 0012	225
54303-ED001	36-26 623 0012	225
54303-ED002	36-26 623 0012	225
54303-ED025	36-26 623 0012	225
54303-ED501	36-26 623 0012	225
54303-ED50A	36-26 623 0012	225
54303ED50B	36-26 623 0012	225
54303-ED525	36-26 623 0012	225
54303-EE50A	36-26 623 0012	225
54303-EE50B	36-26 623 0012	225
54303-EE90A	36-26 623 0012	225
54303-EF80A	36-26 623 0012	225
54303-EL00A	36-26 623 0012	225
54303-EM01A	36-26 623 0012	225
54303-EM30C	36-26 623 0012	225
54303-EQ025	36-26 623 0008	220
54303-EQ026	36-26 623 0008	220
54310-00QAA	16-14 641 0004 16-14 641 0004/S 16-14 641 0005/S	216, 227
54320-50Y12	36-14 543 0001	226
54320-AX600	16-14 641 0016	215
54320-BC40A	16-14 641 0016	215
54320-BM400	36-14 641 0000	227
54320-BM40A	36-14 641 0000	227
54321-AX600	16-14 641 0015	215
54321-BC40A	16-14 641 0015	215
54325-00Q0A	16-14 641 0004/S	227
54325-00QAA	16-14 641 0003 16-14 641 0004 16-14 641 0004/S 16-14 641 0005/S	216, 227-228
54330-00QAA	16-14 641 0004 16-14 641 0004/S 16-14 641 0005/S	216, 227
54348-00QAA	16-14 641 0004 16-14 641 0004/S 16-14 641 0005/S	216, 227
543A0-0300R	16-14 641 0004/S	227
54423-00QAA	614 610 0006	191
54476-41B02	36-14 050 0001	196
54479-41B02	36-14 050 0001	196
5450000QAC	16-16 050 0028	170

Ref. no.	MEYLE no.	Page
Nissan		
5450000QAD	16-16 050 0028	170
5450000QAE	16-16 050 0028	170
54500-00QAH	16-16 050 0007/HD	170
54500-0M010	36-16 050 0047	165, 171, 197
54500-0M010*	36-14 610 0008 36-16 010 0039	165, 171, 197
54500-0M020	36-16 050 0047	165, 171
54500-0M020*	36-16 010 0039	165, 171
54500-0M060	36-16 050 0047	165, 171
54500-0M060*	36-16 010 0039	165, 171
54500-1JY0A*	36-16 010 0014	167
54500-1KA0A*	36-16 010 0034	165
54500-1KA0B*	36-14 610 0010 36-16 010 0034	165, 193
54500-21B00	36-16 050 0063	171
54500-2F500	36-16 050 0055	172
54500-2U711	36-16 050 0084	168, 172, 191, 196
54500-2U711*	36-14 050 0001 36-14 050 0002 36-16 010 0049	168, 172, 191, 196
54500-44B00	36-16 050 0046	166, 173, 191, 196
54500-44B00*	36-14 050 0001 36-14 050 0002 36-16 010 0040	166, 173, 191, 196
54500-4F102	36-16 050 0046	166, 173, 191, 196
54500-4F102*	36-14 050 0001 36-14 050 0002 36-16 010 0040	166, 173, 191, 196
54500-4F105	36-16 050 0046	166, 173, 191, 196
54500-4F105*	36-14 050 0001 36-14 050 0002 36-16 010 0040	166, 173, 191, 196
54500-4F150	36-16 050 0046	166, 173, 191, 196
54500-4F150*	36-14 050 0001 36-14 050 0002 36-16 010 0040	166, 173, 191, 196
54500-4M400	36-16 050 0068	173
54500-4M410	36-16 050 0068	166, 173
54500-4M410*	36-16 010 0043	166, 173
54500-4M411	36-16 050 0068	166, 173
54500-4M411*	36-16 010 0043	166, 173
54500-4M500*	36-14 610 0011	196
54500-4U002	36-16 050 0074	174
54500-4U201	36-16 050 0074	174
54500-50J00	36-16 050 0049	167, 175, 197
54500-50J00*	36-14 610 0003	167, 175, 197

Ref. no.	MEYLE no.	Page
Nissan		
	36-16 010 0006	
54500-50J10	36-16 050 0049	167, 175, 197
54500-50J10*	36-14 610 0003 36-16 010 0006	167, 175, 197
54500-50J25	36-14 610 0003 36-16 050 0049	167, 175, 197
54500-50J25*	36-16 010 0006	167, 175, 197
54500-52Y10	36-16 050 0029	165, 174
54500-52Y10*	36-16 010 0039	165, 174
54500-52Y15	36-16 050 0029	165, 174
54500-52Y15*	36-16 010 0039	165, 174
54500-52Y60	36-16 050 0029	165, 174
54500-52Y60*	36-16 010 0039	165, 174
54500-52Y70	36-16 050 0029	165, 174
54500-52Y70*	36-16 010 0039	165, 174
54500-5U300	36-16 050 0074	174
54500-69C00	36-16 010 0006	167
54500-69Y10	36-16 050 0029	165, 174
54500-69Y10*	36-16 010 0039	165, 174
54500-6F600	36-16 050 0084	168, 172, 191, 196
54500-6F600*	36-14 050 0001 36-14 050 0002 36-16 010 0049	168, 172, 191, 196
54500-7C350	36-16 050 0080	175
54500-86J00	36-16 050 0049	167, 175, 197
54500-86J00*	36-14 610 0003 36-16 010 0006	167, 175, 197
54500-8H310	36-14 610 0001 36-16 050 0082	176, 192
54500-8H310*	36-14 610 0000	176, 192
54500-8H31A	36-16 050 0082	176, 192
54500-8H31A*	36-14 610 0000 36-14 610 0001	176, 192
54500-AV600	36-16 050 0075	163, 176
54500-AV600*	36-16 010 0045	163, 176
54500-AV606	36-16 050 0075	176
54500-AV60C	36-16 050 0075	176
54500-AX600	36-16 050 0086	177
54500-BB00A	36-16 050 0008	167, 177, 192-193, 198
54500-BB00A*	36-14 610 0009 36-14 610 0010 36-14 653 0000 36-16 010 0000	167, 177, 192-193, 198
54500-BC41A	36-16 050 0086	177
54500-BC42A	36-16 050 0086	177
54500-BM410	36-16 050 0068	166, 173

Ref. no.	MEYLE no.	Page
Nissan		
54500-BM410*	36-16 010 0043	166, 173
54500-BR30A	36-16 050 0008	167, 177, 192-193, 198
54500-BR30A*	36-14 610 0009 36-14 610 0010 36-14 653 0000 36-16 010 0000	167, 177, 192-193, 198
54500-BU000	36-16 050 0074	174
54500-EB31A*	36-16 010 0025	164
54500-EW000*	36-16 010 0014	167
54500-F4600	36-16 050 0068	166, 173
54500-F4600*	36-16 010 0043	166, 173
54500-JD000	36-16 050 0008	167, 177, 192-193, 198
54500-JD000*	36-14 610 0009 36-14 610 0010 36-14 653 0000 36-16 010 0000	167, 177, 192-193, 198
5450100QAC	16-16 050 0027	178
5450100QAD	16-16 050 0027	178
5450100QAE	16-16 050 0027	178
54501-00QAH	16-16 010 4264 16-16 050 0008/HD	168, 178
54501-0M010	36-16 050 0048	165, 179, 197
54501-0M010*	36-14 610 0008 36-16 010 0039	165, 179, 197
54501-1JY0A*	36-16 010 0014	167
54501-1KA0A*	36-16 010 0034	165
54501-1KA0B*	36-14 610 0010 36-16 010 0034	165, 193
54501-21B00	36-16 050 0064	179
54501-2F500	36-16 050 0056	180
54501-2U711	36-16 050 0083	168, 180, 191, 196
54501-2U711*	36-14 050 0001 36-14 050 0002 36-16 010 0049	168, 180, 191, 196
54501-44B00	36-16 050 0045	166, 181, 191, 196
54501-44B00*	36-14 050 0001 36-14 050 0002 36-16 010 0040	166, 181, 191, 196
54501-4F102	36-16 050 0045	166, 181, 191, 196
54501-4F102*	36-14 050 0001 36-14 050 0002 36-16 010 0040	166, 181, 191, 196
54501-4F105	36-16 050 0045	166, 181, 191, 196
54501-4F105*	36-14 050 0001 36-14 050 0002 36-16 010 0040	166, 181, 191, 196

Ref. no.	MEYLE no.	Page
Nissan		
54501-4F150	36-16 050 0045	166, 181, 191, 196
54501-4F150*	36-14 050 0001	166, 181, 191, 196
	36-14 050 0002	
	36-16 010 0040	
54501-4M400	36-16 050 0069	181
54501-4M410	36-16 050 0069	166, 181
54501-4M410*	36-16 010 0043	166, 181
54501-4M411	36-16 050 0069	166, 181
54501-4M411*	36-16 010 0043	166, 181
54501-4M500*	36-14 610 0011	196
54501-4U002	36-16 050 0073	182
54501-4U201	36-16 050 0073	182
54501-50J00	36-16 050 0050	167, 183
54501-50J00*	36-16 010 0006	167, 183
54501-50J10	36-16 050 0050	167, 183
54501-50J10*	36-16 010 0006	167, 183
54501-50J25	36-16 050 0050	167, 183
54501-50J25*	36-16 010 0006	167, 183
54501-52Y10	36-16 050 0030	165, 182
54501-52Y10*	36-16 010 0039	165, 182
54501-52Y15	36-16 050 0030	165, 182
54501-52Y15*	36-16 010 0039	165, 182
54501-52Y60	36-16 050 0030	165, 182
54501-52Y60*	36-16 010 0039	165, 182
54501-52Y70	36-16 050 0030	165, 182
54501-52Y70*	36-16 010 0039	165, 182
54501-5U300	36-16 050 0073	182
54501-69Y10	36-16 050 0030	165, 182
54501-69Y10*	36-16 010 0039	165, 182
54501-6F600	36-16 050 0083	168, 180, 191, 196
54501-6F600*	36-14 050 0001	168, 180, 191, 196
	36-14 050 0002	
	36-16 010 0049	
54501-7C350	36-16 050 0079	183
54501-86J00	36-16 050 0050	167, 183
54501-86J00*	36-16 010 0006	167, 183
54501-8H310	36-14 610 0001	184, 192
	36-16 050 0081	
54501-8H310*	36-14 610 0000	184, 192
54501-8H31A	36-16 050 0081	184, 192
54501-8H31A*	36-14 610 0000	184, 192
	36-14 610 0001	
54501-AV600	36-16 050 0078	163, 184
54501-AV600*	36-16 010 0045	163, 184
54501-AV606	36-16 050 0078	184
54501-AV60A	36-16 050 0078	163, 184

Ref. no.	MEYLE no.	Page
Nissan		
54501-AV60A*	36-16 010 0045	163, 184
54501-AV60C	36-16 050 0078	163, 184
54501-AV60C*	36-16 010 0045	163, 184
54501-AX600	36-16 050 0085	169, 185
54501-AX600*	36-16 010 0044	169, 185
54501-BB00A	36-16 050 0007	167, 185, 192–193, 198
54501-BB00A*	36-14 610 0009	167, 185, 192–193, 198
	36-14 610 0010	
	36-14 653 0000	
	36-16 010 0000	
54501-BC41A	36-16 050 0085	185
54501-BC42A	36-16 050 0085	169, 185
54501-BC42A*	36-16 010 0044	169, 185
54501-BM410	36-16 050 0069	166, 181
54501-BM410*	36-16 010 0043	166, 181
54501-BR30A	36-16 050 0007	167, 185, 192–193, 198
54501-BR30A*	36-14 610 0009	167, 185, 192–193, 198
	36-14 610 0010	
	36-14 653 0000	
	36-16 010 0000	
54501-BU000	36-16 050 0073	182
54501-EB31A*	36-16 010 0025	164
54501-EW000*	36-16 010 0014	167
54501-F4600	36-16 050 0069	166, 181
54501-F4600*	36-16 010 0043	166, 181
54501-JD000	36-16 050 0007	167, 185, 192–193, 198
54501-JD000*	36-14 610 0009	167, 185, 192–193, 198
	36-14 610 0010	
	36-14 653 0000	
	36-16 010 0000	
54501-JG000	36-16 050 0007	167, 185, 192–193, 198
54501-JG000*	36-14 610 0009	167, 185, 192–193, 198
	36-14 610 0010	
	36-14 653 0000	
	36-16 010 0000	
54502-00Q0C	16-16 050 0026	186
54502-00QAA	16-16 010 0005/HD	169, 186, 193–194
	16-16 050 0018/HD	
54502-00QAA*	16-14 610 0001	169, 186, 193–194
	16-14 610 0002	
54502-00QAB	16-16 050 0018/HD	186
54503-00Q0C	16-16 050 0025	187
54503-00QAA	16-16 010 0005/HD	169, 187, 193–194
	16-16 050 0017/HD	
54503-00QAA*	16-14 610 0001	169, 187, 193–194
	16-14 610 0002	

Ref. no.	MEYLE no.	Page
Nissan		
54503-00QAB	16-16 050 0017/HD	187
54524-AV600	36-16 050 0076	188
54524-AV601	36-16 050 0076	188
54524-AV60A	36-16 050 0076	188
54524-EB300	36-16 050 0022	188
54524-EB30A	36-16 050 0022	160, 188, 194
54524-EB30A*	36-14 610 0012 36-16 010 0023	160, 188, 194
54525-AV600	36-16 050 0077	189
54525-AV601	36-16 050 0077	189
54525-AV60A	36-16 050 0077	189
54525-EB300	36-16 050 0021	189
54525-EB30A	36-16 050 0021	160, 189, 194
54525-EB30A*	36-14 610 0012 36-16 010 0023	160, 189, 194
54560-00QAB*	16-14 610 0013/HD	194
54560-17B01	36-14 050 0002	191
54560-AX600	16-14 610 0004 36-16 050 0086	177, 195
54570-00QAA	614 610 0005	195
54570-0M010*	36-14 610 0008	197
54570-0M020*	36-14 610 0008	197
54570-50J00	36-14 610 0003	197
54570-50Y10	36-14 610 0008	197
54570-50Y11	36-14 610 0008	197
54570-AX600	36-14 610 0002 36-16 050 0085	169, 185, 195
54570-AX600*	36-16 010 0044	169, 185, 195
54590-01E00	36-14 545 0004	196
54613-00QAB	16-14 615 0010	198
54613-00QAD	16-14 615 0004	198
54616-00QAA	16-14 079 9404/S	199
54616-00QAB	616 060 0007/HD	200
54616-00QAC	16-16 060 0003/HD	200
54618-00QAA	616 060 0008/HD	201
54618-0E000	36-16 060 0034	201
54618-0F000	36-16 060 0022	201
54618-1AA0A	36-16 060 0047/HD	202
54618-2F010	36-16 060 0011	202
54618-47B00	36-16 060 0014	202
54618-47B01	36-16 060 0014	202
54618-47B0A	36-16 060 0014	202
54618-4M400	36-16 060 0007/S 36-16 060 0029	203
54618-4U000	36-16 060 0037/HD	205
54618-50J11	36-16 060 0011	202

Ref. no.	MEYLE no.	Page
Nissan		
54618-50J20	36-16 060 0011	202
54618-50Y00	36-16 060 0007/S	203
54618-54Y10	36-16 060 0011	202
54618-58820	36-16 060 0007/S	203
54618-58Y10	36-16 060 0011	202
54618-58Y20	36-16 060 0011	202
54618-58Y21	36-16 060 0011	202
54618-58Y60	36-16 060 0011	202
54618-86J00	36-16 060 0011	202
54618-86J25	36-16 060 0011	202
54618-8H300	36-16 060 0030/HD	204
54618-90J11	36-16 060 0011	202
54618-9C000	36-16 060 0027/HD	207
54618-9C002	36-16 060 0028/HD	204
54618-9U00A	35-16 060 0021/HD	205
54618-AU000	36-16 060 0025	204
54618-AX600	35-16 060 0021/HD	205
54618-BC40A	35-16 060 0021/HD	205
54618-BU70A	36-16 060 0037/HD	205
54618-CA000	36-16 060 0016	206
54618-CA00E	36-16 060 0016	206
54618-CY00A	30-16 060 0017/HD	206
54618-D5000	36-16 060 0007/S	203
54618-D5010	36-16 060 0007/S	203
54618-EA010	36-16 060 0008	206
54618-JD00A	36-16 060 0047/HD	202
54618-MB40A	36-16 060 0022	201
54618VB000	36-16 060 0006	207
54668-1AA0A	36-16 060 0046/HD	209
54668-4U000	36-16 060 0040/HD	208
54668-8H300	36-16 060 0031/HD	207
54668-9C000	36-16 060 0027/HD	207
54668-AU000	36-16 060 0023	208
54668-BU70A	36-16 060 0040/HD	208
54668-CA000	36-16 060 0017	209
54668-CA00E	36-16 060 0017	209
54668-EA010	36-16 060 0007	209
54668-JD00A	36-16 060 0046/HD	209
55110-8H505	36-16 050 0037	190
55120-8H500	36-16 050 0040	190
55120-8H505	36-16 050 0041	190
55302-8H304	36-26 723 0001	221
55302-8H326	36-26 723 0001	221
55302-8H600	36-26 723 0001	221
55302-8H625	36-26 723 0001	221
55302-EQ025	36-26 723 0001	221

Ref. no.	MEYLE no.	Page
Nissan		
55303-8H600	36-26 723 0000	221
55303-8H625	36-26 723 0000	221
55303-EQ025	36-26 723 0000	221
55400EQ700*	36-14 710 0000/HD 36-14 710 0001/HD	213
55400ES50A*	36-14 710 0000/HD 36-14 710 0001/HD	213
55618-JD00A	36-16 060 0048	210
55618-JY00B	36-16 060 0048	210
55619-JD00A	36-16 060 0049	210
55619-JY00B	36-16 060 0049	210
56100-VB725	36-26 625 0001	222
56110-01J00	36-26 625 0001	222
56110-01J25	36-26 625 0001	222
56110-06J00	36-26 625 0001	222
56110-06J25	36-26 625 0001	222
56110-21J00	36-26 625 0001	222
56110-21J25	36-26 625 0001	222
56110-22J00	36-26 625 0001	222
56110-22J25	36-26 625 0001	222
56110-39J00	36-26 625 0001	222
56110-39J25	36-26 625 0001	222
56110-VB000	36-26 625 0001	222
56110-VB010	36-26 625 0001	222
56110-VB025	36-26 625 0001	222
56110-VB026	36-26 625 0001	222
56110-VB700	36-26 625 0001	222
56110-VB725	36-26 625 0001	222
56111-00QAA	626 625 0001	222
56200-ED002	36-26 725 0007	226
56200-ED00A	36-26 725 0007	226
56200-EE90A	36-26 725 0007	226
56200-EF80D	36-26 725 0007	226
56200-EF80E	36-26 725 0007	226
56200-EM01A	36-26 725 0007	226
56200-EM20A	36-26 725 0007	226
56200-EM30C	36-26 725 0007	226
56200-EW80C	36-26 725 0007	226
56200-EX50A	36-26 725 0007	226
56210-00QAD	626 725 0017	222
56210-00QAE	626 725 0017	222
56210-00QAG	626 725 0017	222
56210-00QAK	16-26 725 0002	223
56210-31U00	36-26 725 0009	223
56210-31U25	36-26 725 0009	223
56210-36U00	36-26 725 0009	223

Ref. no.	MEYLE no.	Page
Nissan		
56210-40U00	36-26 725 0009	223
56210-40U25	36-26 725 0009	223
56210-40U26	36-26 725 0009	223
56210-43U00	36-26 725 0009	223
56210-43U01	36-26 725 0009	223
56210-43U26	36-26 725 0009	223
56210-43U27	36-26 725 0009	223
56210-4M400	36-26 725 0005	224
56210-4M405	36-26 725 0005	224
56210-4M425	36-26 725 0005	224
56210-4M426	36-26 725 0005	224
56210-4M427	36-26 725 0005	224
56210-4Z000	36-26 725 0005	224
56210-4Z005	36-26 725 0005	224
56210-4Z025	36-26 725 0005	224
56210-4Z027	36-26 725 0005	224
56210-4Z600	36-26 725 0005	224
56210-4Z625	36-26 725 0005	224
56210-5M400	36-26 725 0005	224
56210-5M425	36-26 725 0005	224
56210-8M400	36-26 725 0005	224
56210-8M600	36-26 725 0005	224
56210-95F0B	36-26 725 0005	224
56210-BM400	36-26 725 0003	224
56210-BM410	36-26 725 0003	224
56210-BM425	36-26 725 0003	224
56210-BM426	36-26 725 0003	224
56210-BM427	36-26 725 0003	224
56210-BN825	36-26 725 0003	224
56210-ED001	36-26 725 0007	226
56210-ED002	36-26 725 0007	226
56210-ED00A	36-26 725 0007	226
56210-ED025	36-26 725 0007	226
56210-EE90A	36-26 725 0007	226
56210-EF80D	36-26 725 0007	226
56210-EF80E	36-26 725 0007	226
56210-EM01A	36-26 725 0007	226
56210-EM20A	36-26 725 0007	226
56210-EM30C	36-26 725 0007	226
56210-EW80C	36-26 725 0007	226
56210-EW90D	36-26 725 0007	226
56210-EX50A	36-26 725 0007	226
56210-M425	36-26 725 0005	224
56260-01J10	36-16 060 0011	202
56260-51E15	36-16 060 0035	211
56261-0E000	36-16 060 0026/HD	212

Ref. no.	MEYLE no.	Page
Nissan		
56261-47B01	36-16 060 0001/HD	211
56261-4F702	36-16 060 0001/HD	211
56261-4F725	36-16 060 0001/HD	211
56261-50J00	36-16 060 0032/HD	213
56261-6F600	36-16 060 0001/HD	211
56261-86J00	36-16 060 0004	211
56261-86J25	36-16 060 0004	211
56261-90J01	36-16 060 0004	211
56261-AV611	36-16 060 0026/HD	212
56261-EA500	36-16 060 0002	212
56261-EA510	36-16 060 0003	212
56261-EQ000	36-16 060 0032/HD	213
56261-OE000	36-16 060 0001/HD	211
58305-44A10	29-14 533 0007	67
58305-44A40	29-14 533 0007	67
58305-44A50	29-14 533 0007	67
58610-24090	36-14 322 0001	132
6040 135 517	36-16 010 0044	169
77010-65985	36-12 321 0016	123
77014-70361	16-14 620 0001	141
77014-72321	614 322 0014	137
82000-33408	16-14 322 0000	138
82000-33468	16-14 322 0000	138
82004-16946	16-14 323 0002	130
8200437229	16-12 321 0009	123
84430-2F000	36-40 910 0016	1
84430-2F010	36-40 910 0015	1
84430-50J25	36-40 910 0011	1
84430-90J00	36-40 910 0011	1
84430-9F500	36-40 910 0015	1
84430-AV600	36-40 910 0021	2
89414-8980	36-12 321 0001	121
90450-00QAA	16-40 910 0001	2
90450-4F100	36-40 910 0002	4
90450-4F101	36-40 910 0002	4
90450-4F110	36-40 910 0002	4
90450-4F111	36-40 910 0002	4
90450-9U00A	36-40 910 0032	2
90450-AX000	36-40 910 0009	3
90450-AX610	36-40 910 0009	3
90450-AX61B	36-40 910 0009	3
90450-BM400	36-40 910 0006	3
90450-BM425	36-40 910 0006	3
90450-BU000	36-40 910 0007	3
90450-BU00B	36-40 910 0007	3
90450-EQ300	36-40 910 0031	4

Ref. no.	MEYLE no.	Page
Nissan		
90450-EQ301	36-40 910 0031	4
90450-EQ30A	36-40 910 0031	4
90450-EQ30B	36-40 910 0031	4
90450-EQ31A	36-40 910 0031	4
90450-EQ325	36-40 910 0031	4
90450-H3310	36-40 910 0031	4
90451-4F100	36-40 910 0002	4
90451-4F101	36-40 910 0002	4
90451-4F110	36-40 910 0002	4
90451-4F111	36-40 910 0002	4
90451-AX000	36-40 910 0009	3
90451-BU000	36-40 910 0007	3
90451-BU00B	36-40 910 0007	3
90451-EQ30A	36-40 910 0031	4
90451-EQ31A	36-40 910 0031	4
90451-EQ325	36-40 910 0031	4
90451-OOQAA	16-40 910 0029	4
90452-2F705	36-40 910 0017	5
90452-2F715	36-40 910 0019	5
90452-2F725	36-40 910 0017	5
90452-2F726	36-40 910 0019	5
90452-3F200	36-40 910 0012	5
90452-4F215	36-40 910 0002	4
90452-4F228	36-40 910 0002	4
90452-6F100	36-40 910 0017	5
90452-6F126	36-40 910 0019	5
90452-8F825	36-40 910 0023	6
90452-9F725	36-40 910 0018	6
90452-AU200	36-40 910 0020	6
90452-AV700	36-40 910 0024	7
90453-4F228	36-40 910 0002	4
90453-4F286	36-40 910 0002	4
999M1-VP001	36-12 319 0006	20
999M1-VP003	36-12 319 0007/S	20
999M1-VP051	36-12 319 0006	20
A5208-43G00	36-14 322 0001	132
A5208-43G0A	36-14 322 0001	132
A5208-70J00	36-14 322 0002	133
A5208-H8903	36-14 322 0004	138
A5208-H8904	36-14 322 0004	138
A5208-H890C	36-14 322 0004	138
A5208-W1103	36-14 322 0006	133
A5208-W1106	36-14 322 0006	133
A5208-W3401	36-14 322 0006	133
A5208-W3403	36-14 322 0001	132
A640C-59EM0	36-14 323 0001	129

Ref. no.	MEYLE no.	Page
Nissan		
A640C-59EM0-SA	36-14 323 0001	129
A640M-41BM0	36-14 323 0005	127
A640M-41BM0-SA	36-14 323 0005	127
AY040-NS121	025 240 5615/W	61
AY100-NS005	36-14 322 0002	133
AY100-NS006	614 322 0000	134
AY100-NS010	36-14 322 0001	132
AY120-NS007	36-12 321 0006	117
AY685-NS003	36-12 319 0002	18
B1010-1GZ0A	16-13 220 0025	113
B1010-AD226	36-13 220 0007	111
B1010-EN20B	16-13 220 0025	113
B7200-3Y000	36-12 320 0000	13
B7200-5M000	36-12 319 0000 36-12 319 0006	18, 20
B727A-79925	36-12 319 0006	20
B727C-79925	36-12 319 0007/S	20
B7298-00QAA	16-12 319 0001 16-12 320 0001	21
BA010-22J25	36-13 220 0001	109
D1060-3C490	025 217 2517/W	48
D1060-6N091	025 246 4815/W	49
D1060-79E92	025 217 2517/W	48
D1060-8H71A	025 234 2016/W	58
D1060-8H785	025 234 2016/W	58
D1060-AX60A	025 239 7317 025 239 7317/PD	58-59
D1060-AX61A	025 239 7317 025 239 7317/PD	58-59
D1060-AX61F	025 239 7317 025 239 7317/PD	58-59
D1060-BM50A	025 234 6316 025 234 6316/PD	51-52
D1060-EM10A	025 242 8016/W	59
D1060-JD00A	025 246 3217	60
D1060-VC091	025 236 1118/W	60
D1060-VC290	025 236 1118/W	60
D1060-VK190	025 239 7017/W	60
D1M60-1AA0K	025 240 5615/W	61
D4060-0W71A	36-14 533 0013	68
D4060-0W727	36-14 533 0013	68
D4060-4U090	025 217 1316/W	61
D4060-8H385	025 238 7114/W	56
D4060-8M126	36-14 533 0012	68
D4060-9N00A	025 248 7113/W	62
D4060-AX600	36-14 533 0005	66

Ref. no.	MEYLE no.	Page
Nissan		
D4060-BM40A	025 215 4515 025 215 4515/PD	55
D4060-EM11A	025 238 7114/W	56
D4060-JA00A	025 238 7114/W	56
D4060-MB40B	36-14 533 0011	68
D4060-MB40C	36-14 533 0011	68
D4060-VC090	025 235 0216/W	58
D4M609N00A	025 248 7113/W	62
D4M609N00B	025 248 7113/W	62
D6160-51N25	36-14 533 0011	68
D8520-0W025	36-16 020 0088	156
D8520-1KA0A	36-16 020 0015	157
D8520-CB025	36-16 020 0031	157
D8520-EW00A	36-16 020 0028	153
D8520-VK91A	36-16 020 0030	150
D8521-1HA0A	36-16 031 0068	146
D8521-1HJ0A	36-16 031 0068	146
D8521-JD00B	36-16 031 0010	141
D8640-1KA0A	36-16 020 0014	158
D8640-EW00A	36-16 020 0027	156
DD060-56G26	36-14 533 0013	68
E4302-EC80A	36-26 623 0013	225
E4302-EE90A	36-26 623 0013	225
E4302-EL00A	36-26 623 0013	225
E4302-EM01A	36-26 623 0013	225
E4302-EM20A	36-26 623 0013	225
E4302-EM30C	36-26 623 0013	225
E4303-EC80A	36-26 623 0012	225
E4303-EE90A	36-26 623 0012	225
E4303-EL00A	36-26 623 0012	225
E4303-EM01A	36-26 623 0012	225
E4303-EM20A	36-26 623 0012	225
E4303-EM30C	36-26 623 0012	225
E43A2-BC60A	36-26 623 0002	217
E43A3-BC60A	36-26 623 0003	219
E6210-EC80A	36-26 725 0007	226
E6210-ED00A	36-26 725 0007	226
E6210-EE90A	36-26 725 0007	226
E6210-EM01A	36-26 725 0007	226
E6210-EM20A	36-26 725 0007	226
E6210-EM30C	36-26 725 0007	226
K0450-EQ30A	36-40 910 0031	4
K0450-EQ30B	36-40 910 0031	4
K0451-EQ30A	36-40 910 0031	4
K0451-EQ30B	36-40 910 0031	4
SU001-00453	214 322 0002	133

Ref. no.	MEYLE no.	Page
Nissan		
Y7011-4302	35-14 322 0002	139

