

# Citroën

Spare parts for passenger cars



DRIVER'S BEST FRIEND

MEYLE

## Sophisticated technology - considerably longer service life.



The MEYLE range of products features a wide variety of components. Spare parts from A to Z, from Alfa Romeo to Volvo, from minicars to top-of-the-range luxury models.



### Steering & suspension

Control arms, Stabilizer links, Tie rod assemblies, and many more



### Brakes

Brake discs, MEYLE PD, Brake pad sets, Brake drums, and many more



### Drive components

C.V. joint kits, Wheel bearings, Belt drives, and many more



### Damping parts

Shock absorbers, Strut mounts, Coil springs, and many more



### Filters

Oil filters, Air filters, Cabin air filters, Fuel filters, and many more



### Cooling components

Water pumps, Expansion tanks, Radiator hoses, and many more



### Rubber-to-metal parts

Flex discs, Cardan shaft bearings, Engine mounts, and many more



### Electrics and sensors

Crank position sensor, Control units, Glow plugs, and many more



### Engine and transmission parts

Oil change kits, V-ribbed belts, Idlers/guide pulleys, and many more



### Fluids

Coolant additives, Hydraulic oil, Engine oil, and many more



### Complementary product range

Wiper blades, Gas springs, Window lifters, and many more

# ORIGINAL, PD and HD – The MEYLE product lines



## **MEYLE-ORIGINAL: Fit as snugly as the original.**

More than 21,000 spare parts for passenger cars, vans and trucks, quality-tested, robust, durable and tried and tested a thousand times over on the roads across the world – that's MEYLE-ORIGINAL. Relying on our comprehensive product portfolio – offering everything from A for axial joint to Z for zinc-coated screw – customers can be sure that they will always have safety on their side.

## **MEYLE-PD: Safety to the power of two.**

Thinking outside the box to make our products better: MEYLE-PD stands for brake discs and pads delivering maximum braking performance and setting new standards in terms of durability, comfort, aesthetics, and ease of installation. Look for the „/PD“ part number extension.

## **MEYLE-HD: Better than originals.**

MEYLE-HD parts simply last longer. Their technically optimised and reinforced designs make them more durable and reliable than OE components. So it is only natural for us to offer extended warranty protection for our MEYLE-HD parts: All parts of the HD range come with a full four-year guarantee. Look for the „/HD“ part number extension.



**4-year guarantee on all MEYLE-HD parts!**

Robust, high mileage, reliable and better than the original. MEYLE-HD parts simply last longer!

## Our three success factors.

### **The success of the MEYLE brand is based on competence, quality and service.**

The development of quality-approved automotive spare parts for the independent aftermarket is our trademark. And MEYLE-HD parts are our specialty: improved parts, developed by our team of engineers at our headquarters in Hamburg. We give a 4-year guarantee on our MEYLE-HD parts which have a far longer service life. Based on information from TÜV (Technical control board), from recall statistics as well as media and market information from workshops and other technical partners, MEYLE engineers identify parts in vehicles which become conspicuous on account of frequent, early wear. On the basis of their findings, they develop technical improvements for the respective weakness. In the end, this work is a

large benefit for all MEYLE parts. Something all reputable automotive manufacturers highly appreciate: MEYLE also develops customized products, for example for Morgan, the legendary sports car manufacturer.

Passing on our know-how to staff and customers is just as much a part of our service as high parts availability and swift delivery. Modern warehouse logistics with space covering 29,000 m<sup>2</sup> and 56,000 pallet places ensure the reliable supply of our partners.

We have now won the "Top Job Employer" award for the fifth time which confirms our outstanding internal business approach and excellent Human Resources policy. We have been one of Germany's leading SME employers for many years.

# MEYLE

## Guarantee certificate



A distinguishing feature of MEYLE is our high level of precision, achieved by the application of the most modern manufacturing methods. Our MEYLE articles meet highest quality standards and our supply plants are certified in accordance with ISO 9001:2008 and ISO/TS 16949.

We guarantee perfect material and faultless processing of all our MEYLE articles for a period of 24 months as of the date of installation. For MEYLE-HD articles, this guarantee applies for 48 months as of the date of installation.

Complementing this guarantee, we give an additional 100,000 miles (160,934 kilometres) performance guarantee against defects of material and workmanship for MEYLE passenger car water pumps purchased from 01 May 2016. The guarantee given for MEYLE passenger car water pumps terminates upon expiration of the guarantee period or the guaranteed mileage, whichever occurs later: if the guaranteed mileage has not been reached at the end of the guarantee period of 24 or 48 months respectively, the performance guarantee continues to be valid. Respectively, the guarantee period of 24 or 48 months continues to be valid also in any case where the guaranteed mileage was already exceeded.

During the guarantee period, we perform repair work on claimed MEYLE articles or provide a replacement. The MEYLE guarantee does not apply for normal wear and damage caused by inappropriate handling or inappropriate installation. The guarantee expires if the respective part is modified by third parties or via installation of parts from third parties, or if the part, or vehicle, is used in excess of the appropriate use and purpose. The MEYLE guarantee also expires if MEYLE instructions or vehicle manufacturer instructions, e.g. concerning maintenance and replacement intervals, are not observed. The guarantee only applies for MEYLE water pumps, if the cooling circuit has been flushed prior to installation of the MEYLE water pump. Rights granted by law continue to apply unrestrictedly, irrespective of this guarantee.

The customer must submit a written guarantee claim immediately, or at the latest 30 days after identifying an error in material or processing. This claim is to be submitted to the dealer from which he acquired the MEYLE article part. The customer should return the article, carefully packed. He must enclose the original sales receipt and a description of the error. The customer must also verify the date of installation and the mileage of the vehicle by means of respective documents.

Last amended January 2017

A handwritten signature in white ink, appearing to read 'M. Wunder', is centered on the dark blue background.

Director Quality Assurance  
Manfred Wunder



## Auxiliary parts / Miscellaneous

1

### Miscellaneous

Filter set

## Body/Cabin

2

### Body, Interior fittings

Cabin air filter  
Hood shock

Spring shim  
Trunk-/tailgate shock

Windshield washer pump  
Wiper Blade

## Brakes

41

### Disc brake, Drum brake, Hydraulics

Brake disc  
Brake drum  
Brake hose

Brake master cylinder  
Brake pad set  
Brake shoe kit

Brake shoe set, parking brake  
Guide sleeve kit, brake caliper  
Wheel cylinder

## Drive train/Transmission

188

### Axle shafts, Drive shafts, Joints, Transmission

Boot kit, C.V. joint  
Boot, C.V. joint  
C.V. joint kit

Drive shaft  
Driveshaft bearing  
Hydraulic filter kit, A/T

Hydraulic filter, A/T  
Parts kit, automatic transm. oil change

## Electrics

235

### Brakes, Engine, Interiors, Lighting, Suspension / Steering

ABS wheel sensor  
Back up light switch  
Brake light switch  
Control unit, glow plug system  
Crank position sensor  
Glow plug

Ignition coil  
Intake air, temperature sensor  
Knock sensor  
Lambda probe  
Sender unit, coolant temperature  
Sensor, camshaft position

Sensor, intake manifold pressure  
Sensor, speed / RPM  
Sensor, throttle position  
Temperature switch, radiator fan  
Wiper intermittent relay

## Engine/Cooling/Clutch

301

### Belt drive / Engine control, Cooling system, Fuel system, Lubrication system, Mounts

A/T oil pan gasket  
Air filter  
Belt tensioner  
Bracket, engine mount  
Engine mount  
Expansion tank  
Expansion tank cap  
Freewheel clutch, alternator  
Fuel filter

Fuel pump  
Idle control valve, air supply  
Intake hose, turbo charger  
Oil filter  
Radiator cap  
Radiator fan motor  
Radiator hose  
Suction hose, air filter  
Tension roller, ribbed belt

Tensioner pulley, ribbed belt  
Tensioner pulley, timing belt  
Tensioner, fan belt  
Thermostat  
Timing belt kit  
Timing belt roller  
V-ribbed belt  
Water pump

## Steering

427

### Hydraulics, Mounting parts, Tie rod assemblies

Axial rod  
Hydraulic pump, P/S

Steering boot kit  
Tie rod end

## Suspension

468

### Control arms, Stabilizer, Subframe, Suspension / damping, Wheel hubs / Wheel bearings

Axle support bushing

Ball joint

Bushing, leaf spring

Coil spring

Control arm

Control arm bushing

Dust cover kit, shock absorber

Dust cover/boot, strut

Mount, axle carrier

Mount, control arm

Mount, stabilizer

Repair kit, ball joint

Repair kit, stabilizer bushing

Repair kit, stabilizer link

Repair kit, strut mount

Repair kit, subframe

Rod/strut, suspension

Rubber stop, suspension

Sensor ring, ABS

Shock absorber

Stabilizer link

Strut mount

Strut mount bearing

Suspension Kit

Wheel bearing kit

Wheel hub





## Filter set

11-12 330 0000/SK | MAX0160

### Notes

Slim Set



### References

1109.AY	16 094 280 80
1109.T3	6447.VY
1109.Z6	

### Parts list

11-12 326 0008/PD   MCF0543PD	Cabin air filter
714 322 0007   MDF0201	Oil filter

### Application info

C3 II (09/09--)	C4 Cactus (09/14--)
DS3 (11/09-12/16)	

## Filter set

11-12 330 0001/S | MAX0179

### Notes

Full Set



### References

1109.AY	1901.97
1109.T3	1904.46
1109.Z6	1906.E6
1444.TV	6447.VY
16 094 280 80	98 097 210 80

### Parts list

11-12 326 0008/PD   MCF0543PD	Cabin air filter
714 322 0007   MDF0201	Oil filter
11-12 321 0019   MAF0107	Air filter
11-14 323 0003   MFF0263	Fuel filter

### Application info

C3 II (09/09--)	C4 Cactus (09/14--)
DS3 (11/09-12/16)	

40-40 910 0010 | MHS0076

Hood shock



Notes

Length [mm] 458  
Force output F [N] 300

References

7925.11

Application info

Xsara [04/97-03/10]

40-40 910 0011 | MHS0077

Hood shock



Notes

Length [mm] 506  
Force output F [N] 180

References

7925.14

Application info

C5 I / C5 II [03/01--]

40-14 412 0001 | MIX0276

Spring shim



Notes

replacement in pairs recommended

Front Axle

References

5031.51

Application info

Berlingo I [07/96-12/11]  
C4 I / Coupe / Grand Picasso / Picasso / Stufenheck [11/04--]  
DS5 [09/11-07/15]

C4 II / DS4 [02/09--]  
Berlingo II [04/08--]  
C4 Grand Picasso II [01/13--]



### Spring shim

40-14 412 0002 | MIX0277

#### Notes

replacement in pairs recommended

Front Axle

#### References

5033.C3



#### Application info

C3 Picasso [02/09--]

C3 II [09/09--]

C2 / C3 I / Pluriel [02/02--]

C Elyse [11/12--]

DS3 [11/09-12/16]

### Trunk-/tailgate shock

40-40 910 0006 | MTS0319

#### Notes

replacement in pairs recommended

Length [mm]

611

Force output F [N]

355

#### References

8731.C0

96 181 191

8731.E7



#### Application info

Saxo [02/96-04/04]

### Trunk-/tailgate shock

40-40 910 0002 | MTS0315

#### Notes

replacement in pairs recommended

Length [mm]

700

Force output F [N]

670

#### References

8731.E0



#### Application info

Berlingo I [07/96-12/11]

40-40 910 0000 | MTS0313

Trunk-/tailgate shock



Notes

replacement in pairs recommended

Length [mm] 622  
Force output F [N] 360

References

8731.E3

Application info

Xsara [04/97-03/10]

11-40 910 0008 | MTS0029

Trunk-/tailgate shock



Notes

replacement in pairs recommended

Length [mm] 632  
Force output F [N] 600

References

8731.E5

Application info

Evasion [03/94-10/02]

40-40 910 0004 | MTS0317

Trunk-/tailgate shock



Notes

replacement in pairs recommended

Length [mm] 510  
Force output F [N] 470

References

8731.F5

8731.F6

Application info

C5 I / C5 II [03/01--]



### Trunk-/tailgate shock

40-40 910 0007 | MTS0320

#### Notes

replacement in pairs recommended

Length [mm] 445  
Force output F [N] 420

#### References

8731.G3 8731.K9



#### Application info

C2 / C3 I / Pluriel (02/02--)

### Trunk-/tailgate shock

11-40 910 0017 | MTS0036

#### Notes

replacement in pairs recommended

Length [mm] 632  
Force output F [N] 510

#### References

8731.G6



#### Application info

C8 (06/02--)

### Trunk-/tailgate shock

40-40 910 0014 | MTS0324

#### Notes

replacement in pairs recommended

Length [mm] 545  
Force output F [N] 425

#### References

8731.J8 96 472 954 80



#### Application info

C4 I / Coupe / Grand Picasso / Picasso / Stufenheck (11/04--)

2

40-40 910 0020 | MTS0330

Trunk-/tailgate shock



Notes

replacement in pairs recommended

Length [mm]	557
Force output F [N]	530

References

8731.J9	96 508 541 80
---------	---------------

Application info

C4 I / Coupe / Grand Picasso / Picasso / Stufenheck (11/04--)

40-40 910 0018 | MTS0328

Trunk-/tailgate shock



Notes

replacement in pairs recommended

Length [mm]	557
Force output F [N]	500

References

8731.K0	96 472 953 80
---------	---------------

Application info

C4 I / Coupe / Grand Picasso / Picasso / Stufenheck (11/04--)

40-40 910 0022 | MTS0332

Trunk-/tailgate shock



Notes

replacement in pairs recommended

Length [mm]	495
Force output F [N]	570

References

8731.K1	8731.K2
---------	---------

Application info

C5 I / C5 II (03/01--)

**Trunk-/tailgate shock**
**40-40 910 0015 | MTS0325**
**Notes**

replacement in pairs recommended

 Length [mm]                      555  
 Force output F [N]                305

**References**

8731.L0


**Application info**

C1 [06/05-09/14]

**Trunk-/tailgate shock**
**40-40 910 0005 | MTS0318**
**Notes**

replacement in pairs recommended

 Length [mm]                      664  
 Force output F [N]                390

**References**

8731.F1                                8731.N1


**Application info**

Xsara Picasso [09/99-06/12]

**Trunk-/tailgate shock**
**40-40 910 0019 | MTS0329**
**Notes**

replacement in pairs recommended

 Length [mm]                      585  
 Force output F [N]                625  
 for vehicles with fixed rear  
 windscreen

**References**

8731.N9                                96 544 386 80


**Application info**

C4 I / Coupe / Grand Picasso / Picasso / Stufenheck [11/04--]

2

40-40 910 0017 | MTS0327

Trunk-/tailgate shock



Notes

replacement in pairs recommended

Length [mm]

640

Force output F [N]

565

for vehicles with fixed rear windscreen

References

8731.P2

96 544 334 80

8731.T0

Application info

C4 I / Coupe / Grand Picasso / Picasso / Stufenheck [11/04--]

40-40 910 0016 | MTS0326

Trunk-/tailgate shock



Notes

replacement in pairs recommended

Length [mm]

640

Force output F [N]

595

for vehicles with hinged rear windscreen

References

8731.P4

96 544 335 80

Application info

C4 I / Coupe / Grand Picasso / Picasso / Stufenheck [11/04--]

40-40 910 0021 | MTS0331

Trunk-/tailgate shock



Notes

replacement in pairs recommended

Length [mm]

699.5

Force output F [N]

1050

References

8731.P5

8731.Q9

Application info

Jumpy II [01/07--]



**Trunk-/tailgate shock**

**32-40 910 0017 | MTS0240**

**Notes**

replacement in pairs recommended

Length [mm] 495  
Force output F [N] 420

**References**

8731.Q1



**Application info**

C-Crosser (02/07--)

**Trunk-/tailgate shock**

**40-40 910 0023 | MTS0432**

**Notes**

replacement in pairs recommended

Length [mm] 372  
Force output F [N] 495

**References**

8731.R7 9682256580



**Application info**

C5 III (RD\_, TD\_) (02/08--)

**Trunk-/tailgate shock**

**40-40 910 0024 | MTS0444**

**Notes**

replacement in pairs recommended

Length [mm] 622  
Force output F [N] 580  
for vehicles with fixed rear windscreen

**References**

8731.R9



**Application info**

Berlingo II (04/08--)

Berlingo III (06/18--)

40-40 910 0025 | MTS0433

Trunk-/tailgate shock



Notes

replacement in pairs recommended

Length [mm]

630

Force output F [N]

620

for vehicles with hinged rear windscreen

References

8731.S0

Application info

Berlingo II (04/08--)

Berlingo III (06/18--)

40-40 910 0030 | MTS0481

Trunk-/tailgate shock



Notes

replacement in pairs recommended

Length [mm]

549

Force output F [N]

420

References

7000510368C0

8731.S8

Application info

C3 Picasso (02/09--)

40-40 910 0026 | MTS0460

Trunk-/tailgate shock



Notes

replacement in pairs recommended

Length [mm]

470

Force output F [N]

430

References

8731.T9

9683733980

Application info

C3 II (09/09--)

**Trunk-/tailgate shock**
**240 910 0028 | MTS0201**
**Notes**

replacement in pairs recommended

 Length [mm] **600**

 Force output F [N] **670**
**References**

8731.V0


**Application info**

Nemo [02/08--]

**Trunk-/tailgate shock**
**40-40 910 0029 | MTS0502**
**Notes**

replacement in pairs recommended

 Length [mm] **424**

 Force output F [N] **380**
**References**

8731.V4

98 098 213 80


**Application info**

DS3 [11/09-12/16]

**Trunk-/tailgate shock**
**40-40 910 0027 | MTS0461**
**Notes**

replacement in pairs recommended

 Length [mm] **492**

 Force output F [N] **475**
**References**

8731.V8

98 007 176 80

98 007 177 80


**Application info**

C4 II / DS4 [02/09--]

40-40 910 0028 | MTS0462

Trunk-/tailgate shock



Notes

replacement in pairs recommended

Length [mm] 509

Force output F [N] 350

References

98 010 608 80

98 010 614 80

Application info

C4 II / DS4 [02/09--]

11-14 870 0002 | MWI0012

Windshield washer pump



Notes

Voltage [V]

Mono Pump  
12  
Front

References

6434.58

Application info

AX [07/86-12/98]  
Berlingo I [07/96-12/11]  
ZX [03/91-07/99]

XM [05/89-10/00]  
Jumpy I [06/94-12/06]

11-14 870 0003 | MWI0013

Windshield washer pump



Notes

Voltage [V]

Dual Pump  
12  
Front and Rear

References

6434.60

Application info

Evasion [03/94-10/02]  
AX [07/86-12/98]  
Saxo [02/96-04/04]  
Berlingo I [07/96-12/11]

Xantia [03/93-04/03]  
ZX [03/91-07/99]  
Xsara [04/97-03/10]

**Windshield washer pump**
**11-14 870 0001 | MWI0011**
**Notes**

 Voltage [V] Dual Pump  
 12  
 Front and Rear

**References**

 16 099 303 80 6434.92  
 6434.70 6434.98  
 6434.75 98 206 691 80

**Application info**

 Saxo [02/96-04/04]  
 Berlingo I [07/96-12/11]  
 Xsara Picasso [09/99-06/12]  
 C8 [06/02--]  
 C5 I / C5 II [03/01--]  
 Jumpy II [01/07--]  
 C5 III (RD\_, TD\_) [02/08--]  
 C3 Picasso [02/09--]  
 C3 II [09/09--]  
 C4 I / Coupe / Grand Picasso / Picasso / Stufenheck [11/04--]  
 C2 / C3 I / Pluriel [02/02--]

 DS5 [09/11-07/15]  
 C4 AIRCROSS [08/10--]  
 DS3 [11/09-12/16]  
 C4 II / DS4 [02/09--]  
 Berlingo II [04/08--]  
 C4 Cactus [09/14--]  
 C4 Grand Picasso II [01/13--]  
 C3 III [07/16--]  
 C4 SPACETOURER / GRAND SPACETOURER [04/18--]  
 Berlingo III [06/18--]

**Windshield washer pump**
**16-14 870 0003 | MWI0046**
**Notes**

 Voltage [V] rectangular  
 Mono Pump  
 Electric  
 12  
 Front

**References**

 16 096 881 80 6434.97  
 6434.71 96 32 984 980  
 6434.76

**Application info**

 Berlingo I [07/96-12/11]  
 Jumpy I [06/94-12/06]  
 C5 I / C5 II [03/01--]

 C1 [06/05-09/14]  
 C4 I / Coupe / Grand Picasso / Picasso / Stufenheck [11/04--]  
 C2 / C3 I / Pluriel [02/02--]

11-14 870 0006 | MWI0051

Windshield washer pump



Notes

Voltage [V]

Mono Pump  
12

References

98 117 949 80

Application info

Jumpy III (04/16--)

Spacetourer (04/16--)

100 955 0010 | MWI0009

Windshield washer pump



Notes

Voltage [V]

Dual Pump  
12  
Front and Rear

References

YQ00153980

Application info

C3 AIRCROSS II (06/17--)

100 955 0002 | MWI0004

Windshield washer pump



Notes

Voltage [V]

Mono Pump  
12  
Front

References

6434.74

Application info

Jumper I (02/94-08/02)

Jumper II (02/02--)



### Windshield washer pump

100 955 0007 | MWI0007

#### Notes

Voltage [V]

rectangular  
Mono Pump  
12  
Front

#### References

6434.C9



#### Application info

Nemo [02/08--]

### Windshield washer pump

314 870 0005 | MWI0036

#### Notes

Voltage [V]

Dual Pump  
Electric  
12

#### References

6434.A1



#### Application info

C-Crosser [02/07--]

### Windshield washer pump

36-14 870 0000 | MWI0057

#### Notes

Voltage [V]

Mono Pump  
12

#### References

98 012 421 80



#### Application info

C Elyse [11/12--]

2

029 650 4750 | MBL0083

Wiper Blade



Notes

Length 1 / Length 2 [inch]

Adapter enclosed  
Length 1/ Length 2 [mm]

Flat wiper blade  
26 / 19  
Kit  
Fest montiert Nr. 2  
650 / 475  
Front

References

16 113 485 80  
16 232 327 80  
6423.65

6423.N0  
6426.YP  
6426.YQ

Application info

C5 I / C5 II (03/01--)

029 290 1111 | MBL0062

Wiper Blade



Notes

Length [in]  
Length [mm]

Bracket wiper blade  
11.5  
290  
Rear

References

6426.T3

Application info

C5 I / C5 II (03/01--)  
C3 Picasso (02/09--)  
C2 / C3 I / Pluriel (02/02--)  
DS3 (11/09-12/16)

C4 II / DS4 (02/09--)  
Jumpy III (04/16--)  
Spacetourer (04/16--)  
C3 III (07/16--)

029 300 1210 | MBL0003

Wiper Blade



Notes

Length [in]  
Adapter enclosed  
Length [mm]

Bracket wiper blade  
12  
abnehmbar  
300  
with adapter  
Rear

Application info

C4 I / Coupe / Grand Picasso / Picasso / Stufenheck (11/04--)

C2 / C3 I / Pluriel (02/02--)





### Wiper Blade

029 300 1211 | MBL0004

#### Notes

Length [in]  
Length [mm]

Bracket wiper blade  
12  
300  
Rear



#### Application info

C3 II (09/09--)

### Wiper Blade

029 300 1216 | MBL0047

#### Notes

Length [in]  
Length [mm]

Bracket wiper blade  
12  
300  
Rear



#### Application info

C1 (06/05-09/14)

### Wiper Blade

029 300 1217 | MBL0080

#### Notes

Length [in]  
Length [mm]

Bracket wiper blade  
12  
300  
Rear



#### Application info

C-Crosser (02/07--)

C-Zero (10/10--)

029 350 1410 | MBL0014

Wiper Blade



Notes

Length [in]  
Length [mm]

Bracket wiper blade  
14  
350  
Rear

Application info

Saxo (02/96-04/04)  
Berlingo I (07/96-12/11)  
Xantia (03/93-04/03)  
C8 (06/02--)  
Jumpy II (01/07--)

C2 / C3 I / Pluriel (02/02--)  
Berlingo II (04/08--)  
Jumpy III (04/16--)  
Spacetourer (04/16--)  
Berlingo III (06/18--)

029 350 1416 | MBL0055

Wiper Blade



Notes

Length [in]  
Length [mm]

Bracket wiper blade  
14  
350  
Rear

Application info

C4 I / Coupe / Grand Picasso / Picasso / Stufenheck (11/04--)  
C4 II / DS4 (02/09--)

C4 Grand Picasso II (01/13--)  
C4 SPACETOURER / GRAND SPACETOURER (04/18--)

029 350 1417 | MBL0052

Wiper Blade



Notes

Length [in]  
Length [mm]

Bracket wiper blade  
14  
350  
Rear

**Wiper Blade**

**029 350 1417 | MBL0052**

**Application info**

Berlingo I (07/96-12/11)

**Wiper Blade**

**029 400 1600 | MBL0021**

**Notes**

Observe service information  
Length [in]  
Length [mm]

Flat wiper blade  
16  
400  
Front



**Application info**

Berlingo I (07/96-12/11)  
C3 Picasso (02/09--)  
C3 II (09/09--)  
C Elyse (11/12--)  
DS3 (11/09-12/16)

Berlingo II (04/08--)  
C3 III (07/16--)  
C3 AIRCROSS II (06/17--)  
C5 AIRCROSS (11/18--)  
C4 III (10/20--)

**Wiper Blade**

**029 400 1610 | MBL0022**

**Notes**

Length [in]  
Length [mm]

Bracket wiper blade  
16  
400  
Rear



**Application info**

Xsara Picasso (09/99-06/12)  
C5 I / C5 II (03/01--)

Xsara (04/97-03/10)

029 400 1612 | MBL0024

Wiper Blade



Notes

Length [in]  
Length [mm]

Flat wiper blade  
16  
400  
Rear

Application info

C5 I / C5 II (03/01--)

029 425 1700 | MBL0026

Wiper Blade



Notes

Observe service information  
Length [in]  
Length [mm]

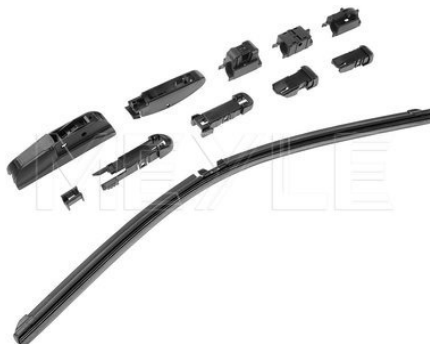
Flat wiper blade  
17  
425  
Front

Application info

Berlingo III (06/18--)

029 450 1800 | MBL0027

Wiper Blade



Notes

Observe service information  
Length [in]  
Length [mm]

Flat wiper blade  
18  
450  
Front

Application info

Saxo (02/96-04/04)  
C5 I / C5 II (03/01--)

C15 / Visa (09/78-10/06)  
C2 / C3 I / Pluriel (02/02--)

**Wiper Blade**

**029 475 1900 | MBL0028**

**Notes**

Observe service information  
Length [in]  
Length [mm]

Flat wiper blade  
19  
475  
Front



**Application info**

C5 I / C5 II (03/01--)  
Nemo (02/08--)

Jumpy III (04/16--)  
Spacetourer (04/16--)

**Wiper Blade**

**029 500 2000 | MBL0029**

**Notes**

Observe service information  
Length [in]  
Length [mm]

Flat wiper blade  
20  
500  
Front



**Application info**

Evasion (03/94-10/02)  
BX (10/82-12/94)  
Saxo (02/96-04/04)  
Xantia (03/93-04/03)

C25 (07/81-07/94)  
Jumpy I (06/94-12/06)  
Jumpy II (01/07--)  
Xsara (04/97-03/10)

**Wiper Blade**

**029 530 2100 | MBL0030**

**Notes**

Observe service information  
Length [in]  
Length [mm]

Flat wiper blade  
21  
530  
Front



**029 530 2100 | MBL0030**

**Wiper Blade**

**Application info**

Berlingo I (07/96-12/11)  
XM (05/89-10/00)  
C2 / C3 I / Pluriel (02/02--)

C-Crosser (02/07--)  
C4 AIRCROSS (08/10--)

**029 550 2200 | MBL0032**

**Wiper Blade**



**Notes**

Observe service information  
Length [in]  
Length [mm]

Flat wiper blade  
22  
550  
Front

**Application info**

Berlingo I (07/96-12/11)  
ZX (03/91-07/99)  
XM (05/89-10/00)  
Jumper I (02/94-08/02)

Jumper II (02/02--)  
Jumper III (04/06--)  
C5 III (RD\_, TD\_) (02/08--)  
Xsara (04/97-03/10)

**029 600 2400 | MBL0034**

**Wiper Blade**



**Notes**

Observe service information  
Length [in]  
Length [mm]

Flat wiper blade  
24  
600  
Front

**Application info**

CX I (09/74-08/85)  
Xantia (03/93-04/03)  
CX II (07/85-12/92)  
C3 Picasso (02/09--)  
C4 I / Coupe / Grand Picasso / Picasso / Stufenheck (11/04--)  
C2 / C3 I / Pluriel (02/02--)

C-Crosser (02/07--)  
C4 AIRCROSS (08/10--)  
C Elyse (11/12--)  
DS3 (11/09-12/16)  
C4 III (10/20--)

**Wiper Blade**

**029 625 2500 | MBL0058**

**Notes**

Observe service information  
Length [in]  
Length [mm]

Flat wiper blade  
25  
625  
Front



**Application info**

DS5 (09/11-07/15)

**Wiper Blade**

**029 650 2600 | MBL0036**

**Notes**

Observe service information  
Length [in]  
Length [mm]

Flat wiper blade  
26  
650  
Front



**Application info**

Evasion (03/94-10/02)  
Berlingo I (07/96-12/11)  
Xsara Picasso (09/99-06/12)  
Jumpy I (06/94-12/06)  
C8 (06/02--)  
C5 I / C5 II (03/01--)  
C1 (06/05-09/14)  
Jumper III (04/06--)  
Jumpy II (01/07--)  
Nemo (02/08--)

C3 II (09/09--)  
C4 II / DS4 (02/09--)  
Berlingo II (04/08--)  
C1 II (04/14--)  
Jumpy III (04/16--)  
Spacetourer (04/16--)  
C3 III (07/16--)  
C3 AIRCROSS II (06/17--)  
Berlingo III (06/18--)

**Wiper Blade**

**029 700 2800 | MBL0039**

**Notes**

Observe service information  
Length [in]  
Length [mm]

Flat wiper blade  
28  
700  
Front



029 700 2800 | MBL0039

Wiper Blade

Application info

C6 (09/05-12/12)  
Jumpy II (01/07--)  
C5 III (RD\_, TD\_) (02/08--)  
C4 I / Coupe / Grand Picasso / Picasso / Stufenheck (11/04--)

C-Zero (10/10--)  
C4 SPACETOURER / GRAND SPACETOURER (04/18--)  
C5 AIRCROSS (11/18--)

029 725 2900 | MBL0057

Wiper Blade



Notes

Observe service information  
Length [in]  
Length [mm]

Flat wiper blade  
29  
725  
Front

Application info

DS5 (09/11-07/15)

029 750 3000 | MBL0041

Wiper Blade



Notes

Observe service information  
Length [in]  
Length [mm]

Flat wiper blade  
30  
750  
Front

Application info

C4 I / Coupe / Grand Picasso / Picasso / Stufenheck (11/04--)  
C4 II / DS4 (02/09--)

C4 Grand Picasso II (01/13--)



## Wiper Blade

029 800 3200 | MBL0042

### Notes

Observe service information  
Length [in]  
Length [mm]

Flat wiper blade  
32  
800  
Front



### Application info

C4 I / Coupe / Grand Picasso / Picasso / Stufenheck (11/04--)  
C4 II / DS4 (02/09--)

C4 Grand Picasso II (01/13--)  
C4 SPACETOURER / GRAND SPACETOURER (04/18--)

## Cabin air filter

11-12 320 0014 | MCF0074

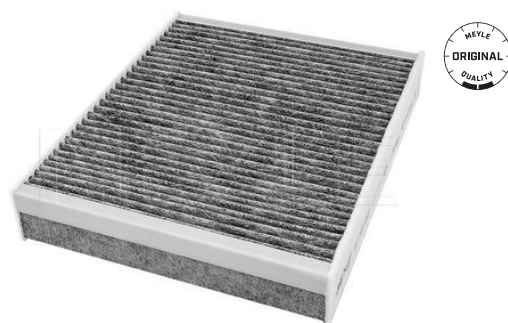
### Notes

Height [mm]  
Width [mm]  
Length [mm]

25  
235  
250  
with Odour Absorbent Effect  
Filter Insert  
Activated Carbon Filter

### References

16 156 468 80



### Application info

Jumper III (04/06--)

## Cabin air filter

11-12 326 0014/PD | MCF0545PD

### Notes

Height [mm]  
Width [mm]  
Length [mm]

25  
235  
250  
high fine particulate filtration  
NOx-filter  
NOx-absorbing effect  
with Odour Absorbent Effect  
with anti-allergic effect  
Particulate filter (PM 2.5)  
for increased requirements  
Activated Carbon Filter  
Filter Insert

### References

16 156 468 80



11-12 326 0014/PD | MCF0545PD

Cabin air filter

Application info

Jumper III (04/06--)

40-12 320 0003 | MCF0362

Cabin air filter



Notes

Height [mm] 40  
Width [mm] 152  
Length [mm] 314  
with Odour Absorbent Effect  
Filter Insert  
Activated Carbon Filter

References

6441.EJ 6479.43  
6447.TC

Application info

C5 I / C5 II (03/01--)

C6 (09/05-12/12)

40-12 319 0000 | MCF0353

Cabin air filter



Notes

Height [mm] 18  
Width [mm] 210  
Length [mm] 217  
Pollen Filter  
Filter Insert  
Particulate Filter

References

6441.EG 6447.Z4  
6441.H7 95 667 986  
6447.LV

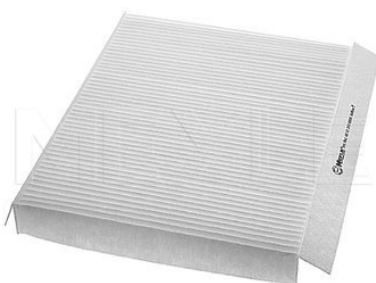
Application info

Berlingo I (07/96-12/11)  
Xantia (03/93-04/03)

ZX (03/91-07/99)  
Xsara (04/97-03/10)

40-12 319 0006 | MCF0358

Cabin air filter



Notes

Height [mm] 30  
Width [mm] 200  
Length [mm] 255  
Pollen Filter  
Filter Insert  
Particulate Filter

References

6444.FF 6447.LN  
6447.FF

**Cabin air filter**

**40-12 319 0006 | MCF0358**

**Application info**

Xsara Picasso (09/99-06/12)

**Cabin air filter**

**40-12 320 0002 | MCF0361**

**Notes**

Height [mm] 55  
 Width [mm] 160  
 Length [mm] 324  
 with Odour Absorbent Effect  
 Filter Insert  
 Activated Carbon Filter



**References**

6447.HV

**Application info**

C5 I / C5 II (03/01--)

**Cabin air filter**

**212 319 0004 | MCF0167**

**Notes**

Height [mm] 17  
 Width [mm] 172  
 Length [mm] 440  
 Pollen Filter  
 Filter Insert  
 Particulate Filter



**References**

6447.J0

**Application info**

Jumper I (02/94-08/02)

Jumper II (02/02--)

**Cabin air filter**

**40-12 319 0004 | MCF0356**

**Notes**

Height [mm] 30  
 Width [mm] 165  
 Length [mm] 404  
 Pollen Filter  
 Filter Insert  
 Particulate Filter



**References**

6447.LY  
 6447.LZ

6479.E5

2

40-12 319 0004 | MCF0356

Cabin air filter

Application info

Jumpy I (06/94-12/06)

C8 (06/02--)

11-12 319 0000 | MCF0054

Cabin air filter



Notes

Height [mm] 36  
Width [mm] 175  
Length [mm] 288  
Pollen Filter  
Filter Insert  
Particulate Filter

References

6447.NT 96 87 459 780  
6447TL E146155

Application info

C3 Picasso (02/09--)  
C4 I / Coupe / Grand Picasso / Picasso / Stufenheck (11/04--)

C2 / C3 I / Pluriel (02/02--)  
C4 II / DS4 (02/09--)

11-12 320 0000 | MCF0066

Cabin air filter



Notes

Height [mm] 30  
Width [mm] 180  
Length [mm] 285  
with Odour Absorbent Effect  
Filter Insert  
Activated Carbon Filter

References

6447.NV 96 360 862  
6479.75

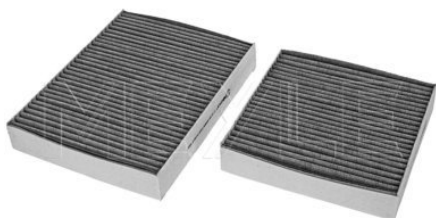
Application info

C3 Picasso (02/09--)  
C4 I / Coupe / Grand Picasso / Picasso / Stufenheck (11/04--)

C2 / C3 I / Pluriel (02/02--)  
C4 II / DS4 (02/09--)

11-12 320 0008/S | MCF0070

Cabin air filter



Notes

Set  
Height [mm] 30  
Width [mm] 158  
Length [mm] 150  
with Odour Absorbent Effect  
Filter Insert  
Activated Carbon Filter

References

16 094 281 80 6447.VX



### Cabin air filter

11-12 320 0008/S | MCF0070

#### Application info

C3 II (09/09--)  
DS3 (11/09-12/16)

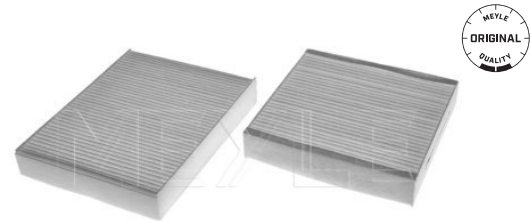
C4 Cactus (09/14--)  
C3 III (07/16--)

### Cabin air filter

11-12 319 0008/S | MCF0059

#### Notes

Height [mm]	30
Width [mm]	156
Length 2 [mm]	154
Length 1 [mm]	203
	Pollen Filter
	Filter Insert
	Particulate Filter



#### References

16 094 280 80                      6447.VY

#### Application info

C3 II (09/09--)  
DS3 (11/09-12/16)

C4 Cactus (09/14--)  
C3 III (07/16--)

### Cabin air filter

11-12 326 0008/PD | MCF0543PD

#### Notes

Height [mm]	30
Width [mm]	156
Length 2 [mm]	154
Length 1 [mm]	203
	Kit
	high fine particulate filtration
	NOx-filter
	NOx-absorbing effect
	with Odour Absorbent Effect
	with anti-allergic effect
	Particulate filter (PM 2.5)
	for increased requirements
	Activated Carbon Filter
	Filter Insert



#### References

16 094 280 80                      6447.VY

#### Application info

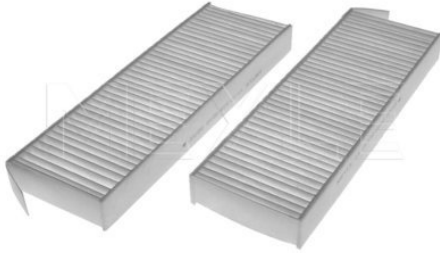
C3 II (09/09--)  
DS3 (11/09-12/16)

C4 Cactus (09/14--)  
C3 III (07/16--)

2

11-12 319 0010 | MCF0061

Cabin air filter



Notes

Height [mm]	30
Width [mm]	96
Length [mm]	290
	Pollen Filter
	Filter Insert
	Particulate Filter

References

16 099 989 80	98 077 463 80
6447.XF	

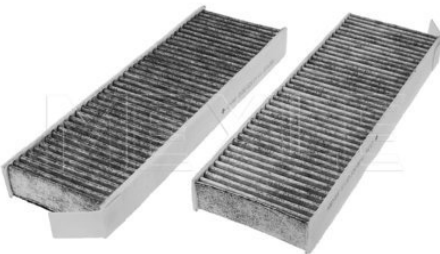
Application info

Berlingo I (07/96-12/11)  
C4 I / Coupe / Grand Picasso / Picasso / Stufenheck (11/04--)  
DS5 (09/11-07/15)  
C4 II / DS4 (02/09--)  
Berlingo II (04/08--)  
C4 Grand Picasso II (01/13--)

Jumpy III (04/16--)  
Spacetourer (04/16--)  
C4 SPACETOURER / GRAND SPACETOURER (04/18--)  
Berlingo III (06/18--)  
C5 AIRCROSS (11/18--)

11-12 320 0010 | MCF0071

Cabin air filter



Notes

Height [mm]	30
Width [mm]	96
Length [mm]	290
	with Odour Absorbent Effect
	Filter Insert
	Activated Carbon Filter

References

16 099 989 80	9801448180
6447.XG	98 215 018 80

Application info

Berlingo I (07/96-12/11)  
C4 I / Coupe / Grand Picasso / Picasso / Stufenheck (11/04--)  
DS5 (09/11-07/15)  
C4 II / DS4 (02/09--)  
Berlingo II (04/08--)  
C4 Grand Picasso II (01/13--)

Jumpy III (04/16--)  
Spacetourer (04/16--)  
C4 SPACETOURER / GRAND SPACETOURER (04/18--)  
Berlingo III (06/18--)  
C5 AIRCROSS (11/18--)

**Cabin air filter**
**11-12 326 0010/PD | MCF0544PD**
**Notes**

Height [mm]	30
Width [mm]	96
Length [mm]	290
	high fine particulate filtration
	NOx-filter
	NOx-absorbing effect
	with Odour Absorbent Effect
	with anti-allergic effect
	Particulate filter (PM 2.5)
	for increased requirements
	Filter Insert
	Activated Carbon Filter


**References**

16 099 989 80	9801448180
6447.XG	98 215 018 80

**Application info**

Berlingo I (07/96-12/11)  
 C4 I / Coupe / Grand Picasso / Picasso / Stufenheck (11/04--)  
 DS5 (09/11-07/15)  
 C4 II / DS4 (02/09--)  
 Berlingo II (04/08--)  
 C4 Grand Picasso II (01/13--)

Jumpy III (04/16--)  
 Spacetourer (04/16--)  
 C4 SPACETOURER / GRAND SPACETOURER (04/18--)  
 Berlingo III (06/18--)  
 C5 AIRCROSS (11/18--)

**Cabin air filter**
**11-12 319 0012 | MCF0063**
**Notes**

Height [mm]	48
Width [mm]	176
Length [mm]	376
	Pollen Filter
	Filter Insert
	Particulate Filter


**References**

6447.YK	6479.A6
---------	---------

**Application info**

Jumpy II (01/07--)

**11-12 320 0012 | MCF0073**

**Cabin air filter**



**Notes**

Height [mm] 48  
Width [mm] 175.5  
Length [mm] 376  
with Odour Absorbent Effect  
Filter Insert  
Activated Carbon Filter

**References**

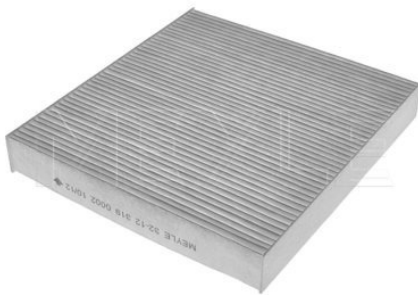
6447.YN 6479.A7

**Application info**

Jumpy II (01/07--)

**32-12 319 0002 | MCF0266**

**Cabin air filter**



**Notes**

Height [mm] 30  
Width [mm] 200  
Length [mm] 216  
Pollen Filter  
Filter Insert  
Particulate Filter

**References**

6447.ZY

**Application info**

C-Crosser (02/07--)

C4 AIRCROSS (08/10--)

**40-12 319 0003 | MCF0355**

**Cabin air filter**



**Notes**

Height [mm] 40  
Width [mm] 150  
Length [mm] 313  
Pollen Filter  
Filter Insert  
Particulate Filter

**References**

6479.04

**Application info**

C5 I / C5 II (03/01--)

C6 (09/05-12/12)





### Cabin air filter

11-12 319 0011 | MCF0062

#### Notes

Height [mm]	32
Width [mm]	196
Length [mm]	270
	Pollen Filter
	Filter Insert
	Particulate Filter

#### References

6479.45	96 826 036 80
---------	---------------



#### Application info

C6 (09/05-12/12)

C5 III (RD\_, TD\_) (02/08--)

### Cabin air filter

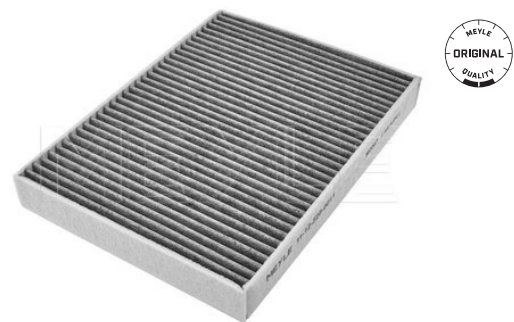
11-12 320 0011 | MCF0072

#### Notes

Height [mm]	32
Width [mm]	196
Length [mm]	270
	with Odour Absorbent Effect
	Filter Insert
	Activated Carbon Filter

#### References

6479.45	96 826 036 80
---------	---------------



#### Application info

C6 (09/05-12/12)

C5 III (RD\_, TD\_) (02/08--)

### Cabin air filter

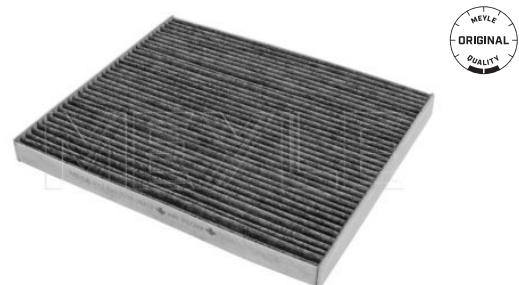
612 320 0016 | MCF0410

#### Notes

Height [mm]	21
Width [mm]	220
Length [mm]	265
	with Odour Absorbent Effect
	Filter Insert
	Activated Carbon Filter

#### References

6479.61

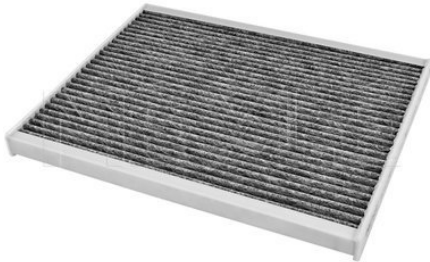


#### Application info

Nemo (02/08--)

612 324 0016 | MCF0514

Cabin air filter



Notes

Height [mm] 20  
Width [mm] 215  
Length [mm] 267  
with Odour Absorbent Effect  
with anti-allergic effect  
Particulate filter (PM 2.5)  
with antibacterial action  
Activated Carbon Filter  
Filter Insert

References

6479.61

Application info

Nemo [02/08--]

612 326 0016/PD | MCF0574PD

Cabin air filter



Notes

Height [mm] 21  
Width [mm] 220  
Length [mm] 265  
high fine particulate filtration  
NOx-filter  
NOx-absorbing effect  
with Odour Absorbent Effect  
with anti-allergic effect  
Particulate filter (PM 2.5)  
for increased requirements  
Filter Insert  
Activated Carbon Filter

References

6479.61

Application info

Nemo [02/08--]

212 320 0012 | MCF0180

Cabin air filter



Notes

Height [mm] 30  
Width [mm] 177  
Length [mm] 200  
with Odour Absorbent Effect  
Filter Insert  
Activated Carbon Filter

References

6479.62

**Cabin air filter**

**212 320 0012 | MCF0180**

**Application info**

Nemo (02/08--)

**Cabin air filter**

**212 326 0012/PD | MCF0559PD**

**Notes**

Height [mm]	30
Width [mm]	177
Length [mm]	200
	high fine particulate filtration
	NOx-filter
	NOx-absorbing effect
	with Odour Absorbent Effect
	with anti-allergic effect
	Particulate filter [PM 2.5]
	Filter Insert
	for increased requirements
	Activated Carbon Filter



**References**

6479.62

**Application info**

Nemo (02/08--)

**Cabin air filter**

**612 319 0016 | MCF0397**

**Notes**

Height [mm]	20
Width [mm]	212
Length [mm]	265
	Pollen Filter
	Filter Insert
	Particulate Filter



**References**

6479.60

6479.84

**Application info**

Nemo (02/08--)

40-12 319 0001 | MCF0354

Cabin air filter



Notes

Height [mm] 36  
Width [mm] 225  
Length [mm] 220  
Pollen Filter  
Filter Insert  
Particulate Filter

References

6447.HP 6479.A1  
6447.KR

Application info

Berlingo I [07/96-12/11]

Xsara [04/97-03/10]

11-12 319 0009 | MCF0060

Cabin air filter



Notes

Height [mm] 27  
Width [mm] 150  
Length [mm] 215  
Pollen Filter  
Filter Insert  
Particulate Filter

References

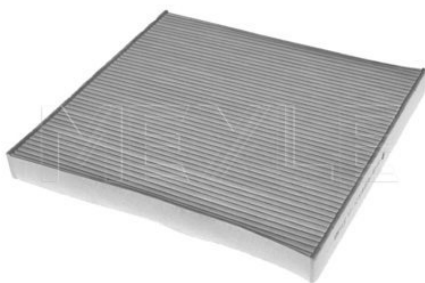
6447.TV 6479.A5

Application info

C1 [06/05-09/14]

11-12 319 0014 | MCF0065

Cabin air filter



Notes

Height [mm] 25  
Width [mm] 235  
Length [mm] 249  
Pollen Filter  
Filter Insert  
Particulate Filter

References

6447.YC 6479.C9

Application info

Jumper III [04/06--]



### Cabin air filter

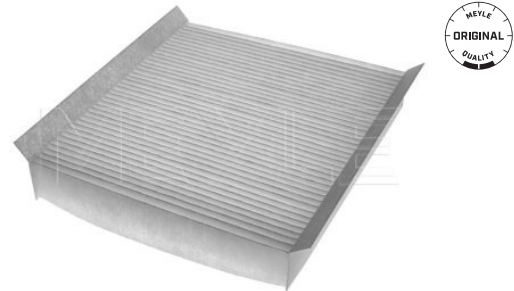
212 319 0012 | MCF0172

#### Notes

Height [mm]	30
Width [mm]	177
Length [mm]	200
	Pollen Filter
	Filter Insert
	Particulate Filter

#### References

6479.62	6479.E0
---------	---------



#### Application info

Nemo (02/08--)

### Cabin air filter

32-12 320 0002 | MCF0271

#### Notes

Height [mm]	30
Width [mm]	200
Length [mm]	216
	with Odour Absorbent Effect
	Filter Insert
	Activated Carbon Filter

#### References

6479.E9



#### Application info

C-Crosser (02/07--)

C4 AIRCROSS (08/10--)

### Cabin air filter

32-12 326 0002/PD | MCF0569PD

#### Notes

Height [mm]	30
Width [mm]	200
Length [mm]	216
	high fine particulate filtration
	NOx-filter
	NOx-absorbing effect
	with Odour Absorbent Effect
	with anti-allergic effect
	Particulate filter (PM 2.5)
	for increased requirements
	Activated Carbon Filter
	Filter Insert

#### References

6479.E9



2



**32-12 326 0002/PD | MCF0569PD**

**Cabin air filter**

**Application info**

C-Crosser (02/07--)

C4 AIRCROSS (08/10--)

**11-12 319 0015/S | MCF0450**

**Cabin air filter**



**Notes**

Height [mm]  
Width [mm]  
Length [mm]

Set  
20  
85  
239  
Pollen Filter  
Filter Insert  
Particulate Filter

**References**

96 787 920 80

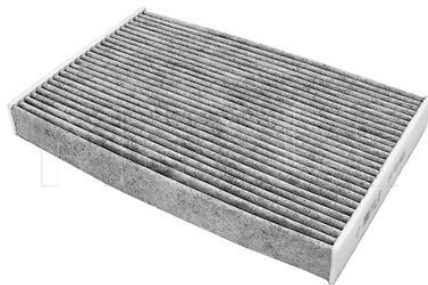
98 142 376 80

**Application info**

C Elyse (11/12--)

**612 320 0020 | MCF0517**

**Cabin air filter**



**Notes**

Height [mm]  
Width [mm]  
Length [mm]

32  
178  
288  
with Odour Absorbent Effect  
Filter Insert  
Activated Carbon Filter

**References**

98 151 067 80

**Application info**

C3 AIRCROSS II (06/17--)

**Cabin air filter**

**612 326 0020/PD | MCF0602PD**

**Notes**

Height [mm]	32
Width [mm]	175
Length [mm]	289
	high fine particulate filtration
	NOx-filter
	NOx-absorbing effect
	with Odour Absorbent Effect
	with anti-allergic effect
	Particulate filter (PM 2.5)
	for increased requirements
	Filter Insert
	Activated Carbon Filter



**References**

98 151 067 80

**Application info**

C3 AIRCROSS II (06/17--)

**Cabin air filter**

**11-12 320 0017/S | MCF0587**

**Notes**

Height [mm]	30
Width [mm]	82
Length [mm]	254
	with Odour Absorbent Effect
	Activated Carbon Filter
	Filter Insert



**References**

98 333 510 80

**Application info**

C4 III (10/20--)

**Cabin air filter**

**30-12 319 0016 | MCF0490**

**Notes**

Height [mm]	30
Width [mm]	145
Length [mm]	195
	Pollen Filter
	Particulate Filter
	Filter Insert



**References**

80 009 754 80



30-12 319 0016 | MCF0490

Cabin air filter

Application info

C1 II [04/14--]

30-12 326 0016/PD | MCF0562PD

Cabin air filter



Notes

Height [mm]  
Width [mm]  
Length [mm]

30  
145  
195  
high fine particulate filtration  
NOx-filter  
NOx-absorbing effect  
with Odour Absorbent Effect  
with anti-allergic effect  
Particulate filter (PM 2.5)  
for increased requirements  
Filter Insert  
Activated Carbon Filter

References

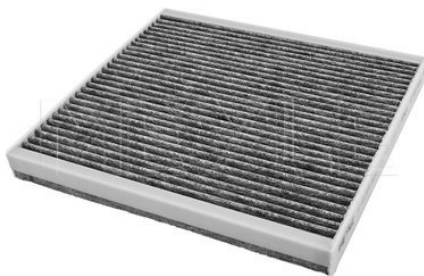
80 009 754 80

Application info

C1 II [04/14--]

11-12 324 0014 | MCF0500

Cabin air filter



Notes

Height [mm]  
Width [mm]  
Length [mm]

25  
235  
250  
with Odour Absorbent Effect  
with anti-allergic effect  
Particulate filter (PM 2.5)  
with antibacterial action  
Activated Carbon Filter  
Filter Insert

References

6447.YC

Application info

Jumper III [04/06--]





## Brake disc

### 32-15 523 0020/PD | MBD1954PD

#### Notes

Wheel Bolt Bore Ø [mm]	12.6
	Zink flake coated
	Solid
Centering Diameter [mm]	79.9
Minimum thickness [mm]	8.4
Outer diameter [mm]	302
Height [mm]	60
Bolt Hole Circle Ø [mm]	114.3
Brake Disc Thickness [mm]	10
Required quantity	2
Number of Holes	5
	Rear Axle

#### References

16 062 920 80	16 116 678 80
---------------	---------------



#### Application info

C-Crosser (02/07--)

C4 AIRCROSS (08/10--)

## Brake disc

### 11-15 521 0018 | MBD0144

#### Notes

Wheel Bolt Bore Ø [mm]	13
	Vented
Centering Diameter [mm]	66
Minimum thickness [mm]	24
Outer diameter [mm]	283
Height [mm]	34.2
Bolt Hole Circle Ø [mm]	108
Brake Disc Thickness [mm]	26
Required quantity	2
Number of Holes	4
	Front Axle

#### References

16 064 014 80	4249.84
16 188 627 80	4249.J6
4246.W2	E 169 142
4249.18	



#### Application info

Berlingo I (07/96-12/11)  
 Xsara Picasso (09/99-06/12)  
 C5 I / C5 II (03/01--)  
 C3 Picasso (02/09--)  
 C3 II (09/09--)  
 C4 I / Coupe / Grand Picasso / Picasso / Stufenheck (11/04--)  
 C2 / C3 I / Pluriel (02/02--)  
 DS5 (09/11-07/15)

Xsara (04/97-03/10)  
 DS3 (11/09-12/16)  
 C4 II / DS4 (02/09--)  
 Berlingo II (04/08--)  
 C4 Cactus (09/14--)  
 C3 III (07/16--)  
 C3 AIRCROSS II (06/17--)

11-83 521 0018/PD | MBD1766PD

Brake disc



Notes

Wheel Bolt Bore Ø [mm]	13
	Zink flake coated
	High-carbon
	Vented
Centering Diameter [mm]	66
Minimum thickness [mm]	24
Outer diameter [mm]	283
Height [mm]	34.2
Bolt Hole Circle Ø [mm]	108
	with bolts/screws
Brake Disc Thickness [mm]	26
Required quantity	2
Number of Holes	4
	Front Axle

References

16 064 014 80	4249.84
16 188 627 80	4249.J6
4246.W2	E 169 142
4249.18	

Application info

Berlingo I (07/96-12/11)	Xsara (04/97-03/10)
Xsara Picasso (09/99-06/12)	DS3 (11/09-12/16)
C5 I / C5 II (03/01--)	C4 II / DS4 (02/09--)
C3 Picasso (02/09--)	Berlingo II (04/08--)
C3 II (09/09--)	C4 Cactus (09/14--)
C4 I / Coupe / Grand Picasso / Picasso / Stufenheck (11/04--)	C3 III (07/16--)
C2 / C3 I / Pluriel (02/02--)	C3 AIRCROSS II (06/17--)
DS5 (09/11-07/15)	

215 521 0004 | MBD0372

Brake disc



Notes

Wheel Bolt Bore Ø [mm]	15.7
	Vented
Centering Diameter [mm]	73
Minimum thickness [mm]	21.9
Outer diameter [mm]	280
Height [mm]	65.5
Bolt Hole Circle Ø [mm]	118
Brake Disc Thickness [mm]	24
Required quantity	2
Number of Holes	5
	Front Axle

References

16 078 720 80	4246.Y1
4246.L3	4249.G3
4246.L4	4249.H8

Application info

Jumper I (02/94-08/02)	Jumper III (04/06--)
Jumper II (02/02--)	Xsara (04/97-03/10)



## Brake disc

### 283 521 0004/PD | MBD2077PD

#### Notes

Wheel Bolt Bore Ø [mm]	15.5
	UV paint coated
	High-carbon
	Vented
Centering Diameter [mm]	73
Minimum thickness [mm]	21.9
Outer diameter [mm]	280
Height [mm]	65.5
Bolt Hole Circle Ø [mm]	118
	with bolts/screws
Brake Disc Thickness [mm]	24
Required quantity	2
Number of Holes	5
	Front Axle



#### References

16 078 720 80	4246.Y1
4246.L3	4249.H8
4246.L4	

#### Application info

Jumper I [02/94-08/02]  
Jumper II [02/02--]

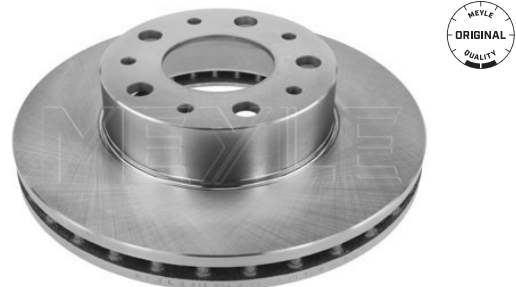
Jumper III [04/06--]  
Xsara [04/97-03/10]

## Brake disc

### 215 521 0029 | MBD0390

#### Notes

Wheel Bolt Bore Ø [mm]	15.5
	Vented
Centering Diameter [mm]	72.7
Minimum thickness [mm]	25.9
Outer diameter [mm]	280
Height [mm]	70
Bolt Hole Circle Ø [mm]	118
Brake Disc Thickness [mm]	28
Required quantity	2
Number of Holes	5
	Front Axle



#### References

1607872180	16 188 652 80
1611842080	4249.29
16 124 351 80	4249.K2
16 124 352 80	

#### Application info

Jumper III [04/06--]

215 521 0003 | MBD0371

Brake disc



Notes

Wheel Bolt Bore Ø [mm]	17.5
	Vented
Centering Diameter [mm]	80
Minimum thickness [mm]	21.9
Outer diameter [mm]	300
Height [mm]	65.5
Bolt Hole Circle Ø [mm]	130
Brake Disc Thickness [mm]	24
Required quantity	2
Number of Holes	5
	Front Axle

References

1607872280	4246.Y3
4246.K3	4249.H9

Application info

Jumper I [02/94-08/02]  
Jumper II [02/02--]

Jumper III [04/06--]

283 521 0003/PD | MBD2164PD

Brake disc



Notes

Wheel Bolt Bore Ø [mm]	17.5
	Zink flake coated
	High-carbon
	Vented
Centering Diameter [mm]	80
Minimum thickness [mm]	21.9
Outer diameter [mm]	300
Height [mm]	65.5
Bolt Hole Circle Ø [mm]	130
	with bolts/screws
Brake Disc Thickness [mm]	24
Required quantity	2
Number of Holes	5
	Front Axle

References

1607872280	4246.Y3
4246.K3	4249.H9

Application info

Jumper I [02/94-08/02]  
Jumper II [02/02--]

Jumper III [04/06--]



## Brake disc

215 521 0021 | MBD0385

### Notes

Wheel Bolt Bore Ø [mm]	18
	Vented
Centering Diameter [mm]	80
Minimum thickness [mm]	29.9
Outer diameter [mm]	300
Height [mm]	73.8
Bolt Hole Circle Ø [mm]	130
Brake Disc Thickness [mm]	32
Required quantity	2
Number of Holes	5
	Front Axle



### References

1607872380	16 188 645 80
16 118 412 80	4249.37
1612435380	4249.38
1612435480	4249.A6

### Application info

Jumper III (04/06--)

## Brake disc

283 521 0021/PD | MBD2165PD

### Notes

Wheel Bolt Bore Ø [mm]	18
	Zink flake coated
	High-carbon
	Vented
Centering Diameter [mm]	80
Minimum thickness [mm]	29.9
Outer diameter [mm]	300
Height [mm]	73.8
Bolt Hole Circle Ø [mm]	130
	with bolts/screws
Brake Disc Thickness [mm]	32
Required quantity	2
Number of Holes	5
	Front Axle



### References

1607872380	16 188 645 80
16 118 412 80	4249.37
1612435380	4249.38
1612435480	4249.A6

### Application info

Jumper III (04/06--)

3

215 523 0012 | MBD0408

Brake disc



Notes

Wheel Bolt Bore Ø [mm]	15.6
	Solid
Centering Diameter [mm]	72
Minimum thickness [mm]	14.2
Outer diameter [mm]	280
Height [mm]	82
Bolt Hole Circle Ø [mm]	118
Brake Disc Thickness [mm]	16
Required quantity	2
Number of Holes	5
	Rear Axle

References

16 078 804 80	4246.Y7
16 188 629 80	4249.L0
16 427 666 80	E169247

Application info

Jumper I [02/94-08/02]  
Jumper II [02/02--]

Jumper III [04/06--]

215 523 0006 | MBD0406

Brake disc



Notes

Wheel Bolt Bore Ø [mm]	17.5
	Solid
Centering Diameter [mm]	79
Minimum thickness [mm]	14.2
Outer diameter [mm]	280
Height [mm]	82
Bolt Hole Circle Ø [mm]	130
Brake Disc Thickness [mm]	16
Required quantity	2
Number of Holes	5
	Rear Axle

References

16 064 017 80	4246.Z1
16 078 805 80	4246.Z3
16 188 634 80	4249.K9
16 427 667 80	E169248

Application info

Jumper I [02/94-08/02]  
Jumper II [02/02--]

Jumper III [04/06--]

### Brake disc

215 523 0006/PD | MBD0406PD

#### Notes

Wheel Bolt Bore Ø [mm]	17.5
	Zink flake coated
	Solid
Centering Diameter [mm]	79
Minimum thickness [mm]	14.2
Outer diameter [mm]	280
Height [mm]	82
Bolt Hole Circle Ø [mm]	130
	with bolts/screws
Brake Disc Thickness [mm]	16
Required quantity	2
Number of Holes	5
	Rear Axle

#### References

1607880580	4246.Z3
4246.Z1	4249.K9



#### Application info

Jumper I [02/94-08/02]  
Jumper II [02/02--]

Jumper III [04/06--]

### Brake disc

11-15 523 0014 | MBD2093

#### Notes

	Solid
Centering Diameter [mm]	71.1
Minimum thickness [mm]	10
Outer diameter [mm]	268
Height [mm]	35
Bolt Hole Circle Ø [mm]	108
Brake Disc Thickness [mm]	12
Required quantity	2
Number of Holes	5
	Rear Axle

#### References

1609582880	16 427 763 80
------------	---------------



#### Application info

C4 II / DS4 [02/09--]  
Berlingo II [04/08--]  
C4 Grand Picasso II [01/13--]

C4 SPACETOURER / GRAND SPACETOURER [04/18--]  
Berlingo III [06/18--]

11-15 523 0014/PD | MBD2093PD

Brake disc



Notes

	Zink flake coated
	Solid
Centering Diameter [mm]	71.1
Minimum thickness [mm]	10
Outer diameter [mm]	268
Height [mm]	35
Bolt Hole Circle Ø [mm]	108
Brake Disc Thickness [mm]	12
Required quantity	2
Number of Holes	5
	Rear Axle

References

1609582880	16 427 763 80
------------	---------------

Application info

C4 II / DS4 (02/09--)  
Berlingo II (04/08--)  
C4 Grand Picasso II (01/13--)

C4 SPACETOURER / GRAND SPACETOURER (04/18--)  
Berlingo III (06/18--)

11-15 523 0015 | MBD2112

Brake disc



Notes

	Solid
Centering Diameter [mm]	71.1
Minimum thickness [mm]	10
Outer diameter [mm]	290
Height [mm]	35
Bolt Hole Circle Ø [mm]	108
Brake Disc Thickness [mm]	12
Required quantity	2
Number of Holes	5
	Rear Axle

References

1609583080	16 427 764 80
------------	---------------

Application info

C4 II / DS4 (02/09--)  
C4 Grand Picasso II (01/13--)  
Jumpy III (04/16--)

Spacetourer (04/16--)  
C4 SPACETOURER / GRAND SPACETOURER (04/18--)  
C5 AIRCROSS (11/18--)



### Brake disc

11-15 523 0015/PD | MBD2112PD

#### Notes

	Zink flake coated
	Solid
Centering Diameter [mm]	71.1
Minimum thickness [mm]	10
Outer diameter [mm]	290
Height [mm]	35
Bolt Hole Circle Ø [mm]	108
Brake Disc Thickness [mm]	12
Required quantity	2
Number of Holes	5
	Rear Axle



#### References

1609583080

#### Application info

C4 II / DS4 (02/09--)  
 C4 Grand Picasso II (01/13--)  
 Jumpy III (04/16--)

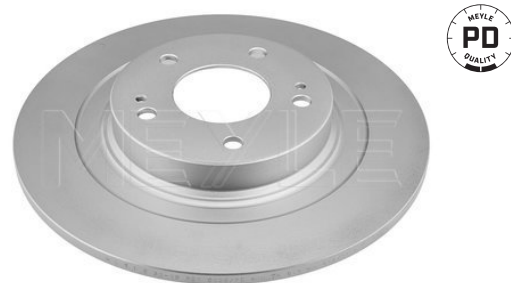
Spacetourer (04/16--)  
 C4 SPACETOURER / GRAND SPACETOURER (04/18--)  
 C5 AIRCROSS (11/18--)

### Brake disc

32-15 521 0030/PD | MBD2277PD

#### Notes

Wheel Bolt Bore Ø [mm]	12.6
	Zink flake coated
	Solid
Centering Diameter [mm]	69
Minimum thickness [mm]	8.4
Outer diameter [mm]	302
Height [mm]	36.2
Bolt Hole Circle Ø [mm]	114.3
Brake Disc Thickness [mm]	10
Required quantity	2
Number of Holes	5
	Rear Axle



#### References

16 099 010 80

#### Application info

C4 AIRCROSS (08/10--)

3

32-15 523 0015/PD | MBD1949PD

Brake disc



Notes

Wheel Bolt Bore Ø [mm]	13.1
	Zink flake coated
	Vented
Centering Diameter [mm]	69
Minimum thickness [mm]	24.4
Outer diameter [mm]	294
Height [mm]	45.5
Bolt Hole Circle Ø [mm]	114.3
Brake Disc Thickness [mm]	26
Required quantity	2
Number of Holes	5
	Front Axle

References

16 075 005 80	16 106 230 80
---------------	---------------

Application info

C4 AIRCROSS [08/10--]

215 521 0019 | MBD0384

Brake disc



Notes

Wheel Bolt Bore Ø [mm]	17.5
	Vented
Centering Diameter [mm]	79.8
Minimum thickness [mm]	21.9
Outer diameter [mm]	300
Height [mm]	65.9
Bolt Hole Circle Ø [mm]	130
Brake Disc Thickness [mm]	24
Required quantity	2
Number of Holes	5
	Front Axle

References

1611841680	4249.A0
4249.36	4249.H2

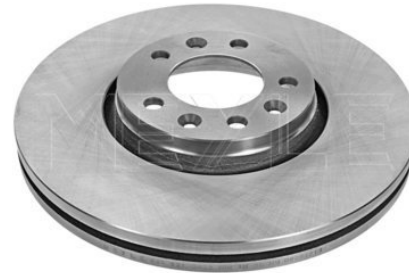
Application info

Jumper II [02/02--]

Jumper III [04/06--]

**Brake disc**
**215 521 0024 | MBD1842**
**Notes**

Wheel Bolt Bore Ø [mm]	13.2
	Vented
Centering Diameter [mm]	71
Minimum thickness [mm]	26
Outer diameter [mm]	304
Height [mm]	48
Bolt Hole Circle Ø [mm]	108
Brake Disc Thickness [mm]	28
Required quantity	2
Number of Holes	5
	Front Axle


**References**

1611841980	4249.92
16 188 651 80	4249.K0
4249.25	

**Application info**

Jumpy II (01/07-- )

C5 III (RD\_, TD\_) (02/08-- )

**Brake disc**
**215 521 0024/PD | MBD1842PD**
**Notes**

Wheel Bolt Bore Ø [mm]	13.2
	Zink flake coated
	Vented
Centering Diameter [mm]	71
Minimum thickness [mm]	26
Outer diameter [mm]	304
Height [mm]	48
Bolt Hole Circle Ø [mm]	108
Brake Disc Thickness [mm]	28
Required quantity	2
Number of Holes	5
	Front Axle


**References**

1611841980	4249.92
16 188 651 80	4249.K0
4249.25	

**Application info**

Jumpy II (01/07-- )

C5 III (RD\_, TD\_) (02/08-- )

3

11-15 523 0046/PD | MBD2306PD

Brake disc



Notes

Wheel Bolt Bore Ø [mm]	17.5
	Zink flake coated
	Vented
Centering Diameter [mm]	79
Minimum thickness [mm]	20
Outer diameter [mm]	300
Height [mm]	80
Bolt Hole Circle Ø [mm]	130
Brake Disc Thickness [mm]	22
Required quantity	2
Number of Holes	5
	Rear Axle

References

16 124 357 80	16 124 358 80
---------------	---------------

Application info

Jumper III (04/06--)

11-15 523 0047/PD | MBD2307PD

Brake disc



Notes

Wheel Bolt Bore Ø [mm]	13.2
	Coated
	Vented
Centering Diameter [mm]	71
Minimum thickness [mm]	20
Outer diameter [mm]	294
Height [mm]	35
Bolt Hole Circle Ø [mm]	108
Brake Disc Thickness [mm]	22
Required quantity	2
Number of Holes	5
	Rear Axle

References

16 163 945 80
---------------

Application info

Jumpy III (04/16--)

Spacetourer (04/16--)



## Brake disc

11-15 523 4105 | MBD2308

### Notes

Centering Diameter [mm]	Solid
Minimum thickness [mm]	64.9
Outer diameter [mm]	7
Height [mm]	244
Bolt Hole Circle Ø [mm]	69.3
Thread Size	108
	M12x1,25
	with ABS sensor ring
	with integrated wheel bearing
Brake Disc Thickness [mm]	9
Required quantity	2
Number of Holes	4
	Rear Axle

### References

16 238 351 80



### Application info

C4 Cactus [09/14--]  
C3 III [07/16--]

C3 AIRCROSS II [06/17--]

## Brake disc

40-15 521 1001 | MBD1089

### Notes

Wheel Bolt Bore Ø [mm]	13
	Vented
Centering Diameter [mm]	123
Minimum thickness [mm]	24
Outer diameter [mm]	302
Height [mm]	34.2
Bolt Hole Circle Ø [mm]	108
Brake Disc Thickness [mm]	26
Required quantity	2
Number of Holes	4
	Front Axle

### References

16 063 082 80	4249.85
4246.C0	96 876 021 80
4249.33	



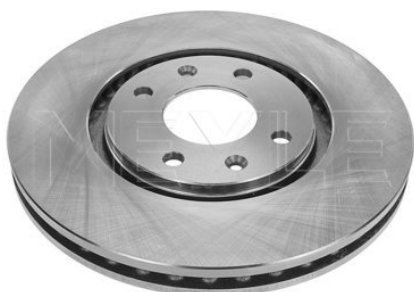
### Application info

C4 I / Coupe / Grand Picasso / Picasso / Stufenheck [11/04--]

3

11-15 521 0007 | MBD0136

Brake disc



Notes

Wheel Bolt Bore Ø [mm]	13
	Vented
Centering Diameter [mm]	66
Minimum thickness [mm]	24.2
Outer diameter [mm]	283
Height [mm]	28.2
Bolt Hole Circle Ø [mm]	108
Brake Disc Thickness [mm]	26
Required quantity	2
Number of Holes	4
	Front Axle

References

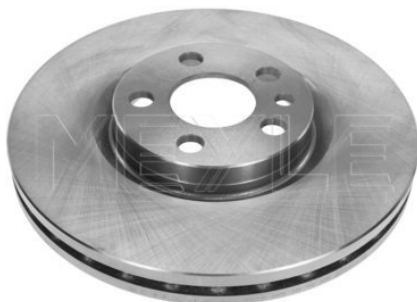
4246.LB	4249.J1
---------	---------

Application info

Xantia [03/93-04/03]

11-15 521 0035 | MBD1756

Brake disc



Notes

Wheel Bolt Bore Ø [mm]	16.5
	Vented
Centering Diameter [mm]	59
Minimum thickness [mm]	26
Outer diameter [mm]	285
Height [mm]	43.7
Bolt Hole Circle Ø [mm]	98
Brake Disc Thickness [mm]	28
Required quantity	2
Number of Holes	5
	Front Axle

References

16 188 628 80	4249.H7
4246.P2	E169146

Application info

Evasion [03/94-10/02]  
Jumpy I [06/94-12/06]

CB [06/02--]

**Brake disc**
**11-15 521 0035/PD | MBD1756PD**
**Notes**

Wheel Bolt Bore Ø [mm]	16.5
	Zink flake coated
	Vented
Centering Diameter [mm]	59
Minimum thickness [mm]	26
Outer diameter [mm]	285
Height [mm]	43.7
Bolt Hole Circle Ø [mm]	98
Brake Disc Thickness [mm]	28
Required quantity	2
Number of Holes	5
	Front Axle


**References**

4246.P2	4249.H7
---------	---------

**Application info**

 Evasion [03/94-10/02]  
 Jumpy I [06/94-12/06]

C8 [06/02--]

**Brake disc**
**11-15 521 0033 | MBD1754**
**Notes**

Wheel Bolt Bore Ø [mm]	13
	Solid
Centering Diameter [mm]	66
Minimum thickness [mm]	11
Outer diameter [mm]	266
Height [mm]	27.2
Bolt Hole Circle Ø [mm]	108
Brake Disc Thickness [mm]	13
Required quantity	2
Number of Holes	4
	Front Axle


**References**

16 086 916 80	4246.R4
16 131 912 80	4249.B2
16 188 903 80	E 169 020
4246.R2	

**Application info**

 Berlingo I [07/96-12/11]  
 C2 / C3 I / Pluriel [02/02--]

 C Elyse [11/12--]  
 C4 Cactus [09/14--]

11-15 521 0033/PD | MBD1754PD

Brake disc



Notes

Wheel Bolt Bore Ø [mm]	13
	Zink flake coated
	Solid
Centering Diameter [mm]	66
Minimum thickness [mm]	11
Outer diameter [mm]	266
Height [mm]	27.2
Bolt Hole Circle Ø [mm]	108
	with bolts/screws
Brake Disc Thickness [mm]	13
Required quantity	2
Number of Holes	4
	Front Axle

References

16 086 916 80	4246.R4
16 131 912 80	4249.82
16 188 903 80	E 169 020
4246.R2	

Application info

Berlingo I [07/96-12/11]  
C2 / C3 I / Pluriel [02/02--]

C Elyse [11/12--]  
C4 Cactus [09/14--]

11-15 521 0036 | MBD1757

Brake disc



Notes

Wheel Bolt Bore Ø [mm]	13
	Solid
Centering Diameter [mm]	66
Minimum thickness [mm]	11
Outer diameter [mm]	247
Height [mm]	34.2
Bolt Hole Circle Ø [mm]	108
Brake Disc Thickness [mm]	13
Required quantity	2
Number of Holes	4
	Front Axle

References

1690.14	4249.A5
4246.R9	

Application info

Xsara [04/97-03/10]



### Brake disc

11-15 521 0036/PD | MBD1757PD

#### Notes

Wheel Bolt Bore Ø [mm]	13
	Zink flake coated
	Solid
Centering Diameter [mm]	66
Minimum thickness [mm]	11
Outer diameter [mm]	247
Height [mm]	34.2
Bolt Hole Circle Ø [mm]	108
	with bolts/screws
Brake Disc Thickness [mm]	13
Required quantity	2
Number of Holes	4
	Front Axle



#### References

1690.14	4249.A5
4246.R9	

#### Application info

Xsara [04/97-03/10]

### Brake disc

40-15 521 1000 | MBD1088

#### Notes

Wheel Bolt Bore Ø [mm]	13
	Vented
Centering Diameter [mm]	66
Minimum thickness [mm]	26
Outer diameter [mm]	288
Height [mm]	34
Bolt Hole Circle Ø [mm]	108
Brake Disc Thickness [mm]	28
Required quantity	2
Number of Holes	4
	Front Axle



#### References

16 063 087 80	4246.W3
4246.R6	4249.H1
4246.T8	E 169 010

#### Application info

Xantia [03/93-04/03]

C5 I / C5 II [03/01--]

40-15 523 1002 | MBD1093

Brake disc



Notes

Wheel Bolt Bore Ø [mm]	13
	Solid
Centering Diameter [mm]	71
Minimum thickness [mm]	12
Outer diameter [mm]	276
Height [mm]	62
Bolt Hole Circle Ø [mm]	108
Brake Disc Thickness [mm]	14
Required quantity	2
Number of Holes	4
	Rear Axle

References

4246.W4	E 169 143
---------	-----------

Application info

C5 I / C5 II (03/01--)

11-83 521 0032/PD | MBD2163PD

Brake disc



Notes

Wheel Bolt Bore Ø [mm]	13
	Zink flake coated
	High-carbon
	Vented
Centering Diameter [mm]	66
Minimum thickness [mm]	18.5
Outer diameter [mm]	266
Height [mm]	27.6
Bolt Hole Circle Ø [mm]	108
	with bolts/screws
Brake Disc Thickness [mm]	20.5
Number of Holes	4
	Front Axle

References

1690.02	4249.F0
4246.R5	95 632 048
4246.W6	95 667 809

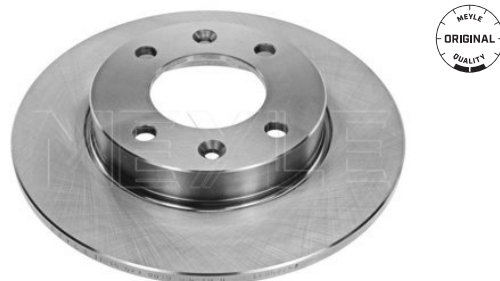
Application info

BX (10/82-12/94)  
Berlingo I (07/96-12/11)  
Xantia (03/93-04/03)

ZX (03/91-07/99)  
Xsara Picasso (09/99-06/12)  
Xsara (04/97-03/10)

**Brake disc**
**11-15 523 0008 | MBD1761**
**Notes**

Wheel Bolt Bore Ø [mm]	13
	Solid
Centering Diameter [mm]	71.1
Minimum thickness [mm]	8
Outer diameter [mm]	247
Height [mm]	35
Bolt Hole Circle Ø [mm]	108
Brake Disc Thickness [mm]	9
Required quantity	2
Number of Holes	4
	Rear Axle


**References**

16 188 619 80	4249.53
4246.W9	4249.90
4246.X8	E 169 198

**Application info**

Berlingo I (07/96-12/11)  
Xsara Picasso (09/99-06/12)

C4 I / Coupe / Grand Picasso / Picasso / Stufenheck (11/04--)  
C2 / C3 I / Pluriel (02/02--)

**Brake disc**
**11-15 523 0008/PD | MBD1761PD**
**Notes**

Wheel Bolt Bore Ø [mm]	13
	Zink flake coated
	Solid
Centering Diameter [mm]	71.1
Minimum thickness [mm]	8
Outer diameter [mm]	247
Height [mm]	35
Bolt Hole Circle Ø [mm]	108
	with bolts/screws
Brake Disc Thickness [mm]	9
Required quantity	2
Number of Holes	4
	Rear Axle


**References**

16 188 619 80	4249.53
4246.W9	4249.90
4246.X8	E 169 198

**Application info**

Berlingo I (07/96-12/11)  
Xsara Picasso (09/99-06/12)

C4 I / Coupe / Grand Picasso / Picasso / Stufenheck (11/04--)  
C2 / C3 I / Pluriel (02/02--)

215 523 0029/PD | MBD0418PD

Brake disc



Notes

Wheel Bolt Bore Ø [mm]	13.3
	Zink flake coated
	Solid
Centering Diameter [mm]	71
Minimum thickness [mm]	13
Outer diameter [mm]	290
Height [mm]	49
Bolt Hole Circle Ø [mm]	108
	with bolts/screws
Brake Disc Thickness [mm]	14
Required quantity	2
Number of Holes	5
	Rear Axle

References

4249.23	4249.91
---------	---------

Application info

Jumpy II (01/07--)

215 521 0018 | MBD0383

Brake disc



Notes

Wheel Bolt Bore Ø [mm]	15.7
	Vented
Centering Diameter [mm]	73
Minimum thickness [mm]	21.9
Outer diameter [mm]	279.7
Height [mm]	65.6
Bolt Hole Circle Ø [mm]	118
Brake Disc Thickness [mm]	24
Required quantity	2
Number of Holes	5
	Front Axle

References

16 064 009 80	4249.G3
16 188 782 80	4249.H8
4246.L3	4249.K3
4246.L4	E169019
4246.Y1	E169151
4249.27	

Application info

Jumper I (02/94-08/02)  
Jumper II (02/02--)

Jumper III (04/06--)

**Brake disc**
**11-15 523 4102 | MBD2169**
**Notes**

Centering Diameter [mm]	Solid
Minimum thickness [mm]	30
Outer diameter [mm]	7
Height [mm]	249
Bolt Hole Circle Ø [mm]	69.2
Thread Size	108
	M12x1,25
	with ABS sensor ring
	with integrated wheel bearing
Brake Disc Thickness [mm]	9
Required quantity	2
Number of Holes	4
	Rear Axle


**References**

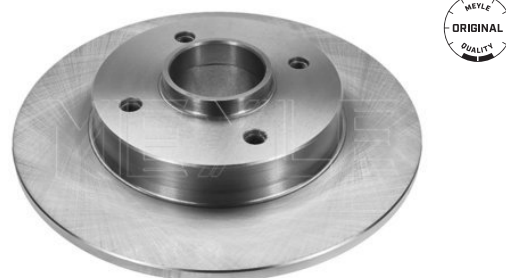
16 192 379 80	4249.32
4249.19	E169512

**Application info**

C3 Picasso [02/09--]	C4 Cactus [09/14--]
C3 II [09/09--]	C3 III [07/16--]
C4 I / Coupe / Grand Picasso / Picasso / Stufenheck [11/04--]	C3 AIRCROSS II [06/17--]
DS3 [11/09-12/16]	

**Brake disc**
**11-15 523 0041 | MBD0161**
**Notes**

Centering Diameter [mm]	Solid
Minimum thickness [mm]	65
Outer diameter [mm]	8
Height [mm]	249
Bolt Hole Circle Ø [mm]	67
Thread Size	108
	M12x1,25
	without ABS sensor ring
	without wheel bearing
Brake Disc Thickness [mm]	9
Required quantity	2
Number of Holes	4
	Rear Axle


**References**

4246.Z9	E169506
4249.34	E169510
E169195	

**Application info**

C4 I / Coupe / Grand Picasso / Picasso / Stufenheck [11/04--]
---

11-15 523 4101 | MBD2168

Brake disc



Notes

Centering Diameter [mm]	25
Minimum thickness [mm]	8
Outer diameter [mm]	249
Height [mm]	67
Bolt Hole Circle Ø [mm]	108
Thread Size	M12x1,25
	with ABS sensor ring
	with integrated wheel bearing
Brake Disc Thickness [mm]	9
Required quantity	2
Number of Holes	4
	Rear Axle

References

4246.Z9	E169506
4249.34	E169510
E169195	

Application info

C4 I / Coupe / Grand Picasso / Picasso / Stufenheck (11/04--)

215 523 0028 | MBD0417

Brake disc



Notes

Wheel Bolt Bore Ø [mm]	17.5
	Solid
Centering Diameter [mm]	79
Minimum thickness [mm]	14.2
Outer diameter [mm]	300
Height [mm]	80
Bolt Hole Circle Ø [mm]	130
Brake Disc Thickness [mm]	16
Required quantity	2
Number of Holes	5
	Rear Axle

References

16 078 806 80	4249.42
16 118 421 80	4249.K6
16 188 653 80	

Application info

Jumper III (04/06--)

**Brake disc**
**11-15 521 0028 | MBD0151**
**Notes**

Wheel Bolt Bore Ø [mm]	13.2
	Vented
Centering Diameter [mm]	71
Minimum thickness [mm]	28
Outer diameter [mm]	330
Height [mm]	48
Bolt Hole Circle Ø [mm]	108
Brake Disc Thickness [mm]	30
Required quantity	2
Number of Holes	5
	Front Axle


**References**

4246.K0	4249.A9
4249.44	

**Application info**

C6 [09/05-12/12]

**Brake disc**
**11-15 523 4008 | MBD2074**
**Notes**

	Solid
Centering Diameter [mm]	65
Minimum thickness [mm]	10
Outer diameter [mm]	268
Height [mm]	74
Bolt Hole Circle Ø [mm]	108
	without wheel bearing
Brake Disc Thickness [mm]	12
Required quantity	2
Number of Holes	4
	Rear Axle


**References**

16 118 408 80	4249.45
16 192 388 80	4249.46

**Application info**

 Berlingo I [07/96-12/11]  
 C4 I / Coupe / Grand Picasso / Picasso / Stufenheck [11/04--]  
 DS5 [09/11-07/15]

 C4 II / DS4 [02/09--]  
 Berlingo II [04/08--]

11-15 523 4104 | MBD2171

Brake disc



Notes

Centering Diameter [mm]	Solid
Minimum thickness [mm]	30
Outer diameter [mm]	10
Height [mm]	268
Bolt Hole Circle Ø [mm]	73.2
Thread Size	108
	M12x1,25
	with ABS sensor ring
	with integrated wheel bearing
Brake Disc Thickness [mm]	12
Required quantity	2
Number of Holes	4
	Rear Axle

References

16 118 408 80	4249.45
16 192 388 80	4249.46

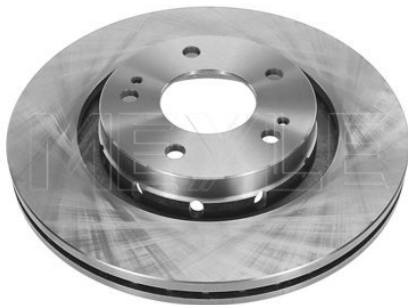
Application info

Berlingo I (07/96-12/11)  
C4 I / Coupe / Grand Picasso / Picasso / Stufenheck (11/04--)  
DS5 (09/11-07/15)

C4 II / DS4 (02/09--)  
Berlingo II (04/08--)

32-15 521 0025 | MBD1944

Brake disc



Notes

Wheel Bolt Bore Ø [mm]	12.6
	Vented
Centering Diameter [mm]	69
Minimum thickness [mm]	22.4
Outer diameter [mm]	294
Height [mm]	45.5
Bolt Hole Circle Ø [mm]	114.3
Brake Disc Thickness [mm]	24
Required quantity	2
Number of Holes	5
	Front Axle

References

16 063 757 80	4249.59
16 114 298 80	4249.F3

Application info

C-Crosser (02/07--)





## Brake disc

### 32-15 521 0025/PD | MBD1944PD

#### Notes

Wheel Bolt Bore Ø [mm]	12.6
	Zink flake coated
	Vented
Centering Diameter [mm]	69
Minimum thickness [mm]	22.4
Outer diameter [mm]	294
Height [mm]	45.5
Bolt Hole Circle Ø [mm]	114.3
Brake Disc Thickness [mm]	24
Required quantity	2
Number of Holes	5
	Front Axle



#### References

16 063 757 80	4249.F3
4249 59	

#### Application info

C-Crosser (02/07--)

## Brake disc

### 32-15 523 0017 | MBD1951

#### Notes

Wheel Bolt Bore Ø [mm]	12.6
	Solid
Centering Diameter [mm]	80
Minimum thickness [mm]	8
Outer diameter [mm]	302
Height [mm]	58.7
Bolt Hole Circle Ø [mm]	114.3
Brake Disc Thickness [mm]	10
Required quantity	2
Number of Holes	5
	Rear Axle



#### References

4249.62	4249.F4
---------	---------

#### Application info

C-Crosser (02/07--)

# 3

32-15 523 0017/PD | MBD1951PD

Brake disc



Notes

Wheel Bolt Bore Ø [mm]	12.6
	Zink flake coated
	Solid
Centering Diameter [mm]	80
Minimum thickness [mm]	8
Outer diameter [mm]	302
Height [mm]	58.7
Bolt Hole Circle Ø [mm]	114.3
Brake Disc Thickness [mm]	10
Required quantity	2
Number of Holes	5
	Rear Axle

References

4249.62	4249.F4
---------	---------

Application info

C-Crosser (02/07--)

11-15 521 0034/PD | MBD1755PD

Brake disc



Notes

Wheel Bolt Bore Ø [mm]	13
	Zink flake coated
	Vented
Centering Diameter [mm]	66
Minimum thickness [mm]	24
Outer diameter [mm]	302
Height [mm]	34.2
Bolt Hole Circle Ø [mm]	108
	with bolts/screws
Brake Disc Thickness [mm]	26
Required quantity	2
Number of Holes	4
	Front Axle

References

16 118 417 80	4249.81
16 188 649 80	4249.86
4249.64	4249.J8

Application info

C4 I / Coupe / Grand Picasso / Picasso / Stufenheck (11/04--)  
DS5 (09/11-07/15)

C4 II / DS4 (02/09--)  
C4 III (10/20--)



### Brake disc

11-15 523 4103 | MBD2170

#### Notes

Centering Diameter [mm]	Solid
Minimum thickness [mm]	30
Outer diameter [mm]	8
Height [mm]	249
Bolt Hole Circle Ø [mm]	73.2
Thread Size	108
	M12x1,25
	with ABS sensor ring
	with integrated wheel bearing
Brake Disc Thickness [mm]	9
Required quantity	2
Number of Holes	4
	Rear Axle

#### References

16 092 499 80	4249.65
16 192 387 80	4249.66



#### Application info

C4 II / DS4 (02/09--)

### Brake disc

11-15 523 0009/PD | MBD1762PD

#### Notes

Wheel Bolt Bore Ø [mm]	13
	Zink flake coated
	Solid
Centering Diameter [mm]	71.1
Minimum thickness [mm]	10
Outer diameter [mm]	290
Height [mm]	35
Bolt Hole Circle Ø [mm]	108
Brake Disc Thickness [mm]	12
Required quantity	2
Number of Holes	5
	Rear Axle

#### References

4249.72	E 169 157
4249.C1	



#### Application info

C5 III (RD\_, TD\_) (02/08--)

3

215 521 0002 | MBD1841

Brake disc



Notes

Wheel Bolt Bore Ø [mm]	13
	Vented
Centering Diameter [mm]	59
Minimum thickness [mm]	20.2
Outer diameter [mm]	257.5
Height [mm]	40.5
Bolt Hole Circle Ø [mm]	98
Brake Disc Thickness [mm]	22
Required quantity	2
Number of Holes	4
	Front Axle

References

16 063 219 80	4249.E5
16 188 797 80	4249.L2
4249.74	

Application info

Nemo [02/08--]

215 521 0002/PD | MBD1841PD

Brake disc



Notes

Wheel Bolt Bore Ø [mm]	13
	Zink flake coated
	Vented
Centering Diameter [mm]	59
Minimum thickness [mm]	20.2
Outer diameter [mm]	257.5
Height [mm]	40.5
Bolt Hole Circle Ø [mm]	98
Brake Disc Thickness [mm]	22
Required quantity	2
Number of Holes	4
	Front Axle

References

16 063 219 80	4249.E5
16 188 797 80	4249.L2
4249.74	

Application info

Nemo [02/08--]

**Brake disc**
**11-15 521 0039 | MBD2107**
**Notes**

Wheel Bolt Bore Ø [mm]	13.2
	Vented
Centering Diameter [mm]	71.1
Minimum thickness [mm]	28
Outer diameter [mm]	340
Height [mm]	48
Bolt Hole Circle Ø [mm]	108
Brake Disc Thickness [mm]	30
Required quantity	2
Number of Holes	5
	Front Axle


**References**

4249.88

**Application info**

C6 (09/05-12/12)

C5 III (RD\_, TD\_) (02/08--)

**Brake disc**
**11-15 521 0039/PD | MBD2107PD**
**Notes**

Wheel Bolt Bore Ø [mm]	13.2
	Zink flake coated
	Vented
Centering Diameter [mm]	71.1
Minimum thickness [mm]	28
Outer diameter [mm]	340
Height [mm]	48
Bolt Hole Circle Ø [mm]	108
Brake Disc Thickness [mm]	30
Required quantity	2
Number of Holes	5
	Front Axle


**References**

4249.88

**Application info**

C6 (09/05-12/12)

C5 III (RD\_, TD\_) (02/08--)

11-15 521 0037 | MBD1758

Brake disc



Notes

Wheel Bolt Bore Ø [mm]	13.2
	Vented
Centering Diameter [mm]	55
Minimum thickness [mm]	18
Outer diameter [mm]	247
Height [mm]	35
Bolt Hole Circle Ø [mm]	100
Brake Disc Thickness [mm]	20
Required quantity	2
Number of Holes	4
	Front Axle

References

16 138 198 80	4249.55
16 188 623 80	4249.94
16 306 331 80	E169256
4246.J0	

Application info

C1 [06/05-09/14]

C1 II [04/14--]

11-15 521 0037/PD | MBD1758PD

Brake disc



Notes

Wheel Bolt Bore Ø [mm]	13.2
	Zink flake coated
	Vented
Centering Diameter [mm]	55
Minimum thickness [mm]	18
Outer diameter [mm]	247
Height [mm]	35
Bolt Hole Circle Ø [mm]	100
Brake Disc Thickness [mm]	20
Required quantity	2
Number of Holes	4
	Front Axle

References

16 138 198 80	4249.55
4246.J0	4249.94

Application info

C1 [06/05-09/14]

C1 II [04/14--]

**Brake disc**
**11-15 521 0042/PD | MBD1760PD**
**Notes**

Wheel Bolt Bore Ø [mm]	13
	Zink flake coated
	Solid
Centering Diameter [mm]	66
Minimum thickness [mm]	9
Outer diameter [mm]	247
Height [mm]	34.2
Bolt Hole Circle Ø [mm]	108
	with bolts/screws
Brake Disc Thickness [mm]	10
Required quantity	2
Number of Holes	4


**References**

16 188 596 80	95 661 748
1690.01	96 070 525
4249.95	E169001
91 508 338	

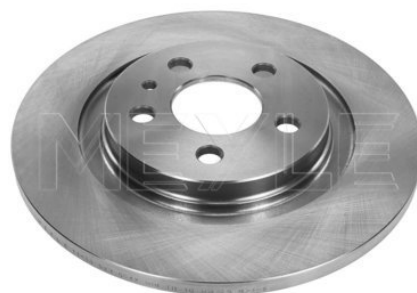
**Application info**

 Saxo [02/96-04/04]  
 ZX [03/91-07/99]

C15 / Visa [09/78-10/06]

**Brake disc**
**11-15 523 0011 | MBD1764**
**Notes**

Wheel Bolt Bore Ø [mm]	15
	Solid
Centering Diameter [mm]	59
Minimum thickness [mm]	10
Outer diameter [mm]	272
Height [mm]	28
Bolt Hole Circle Ø [mm]	98
Brake Disc Thickness [mm]	12
Required quantity	2
Number of Holes	5
	Rear Axle


**References**

4246.P4	4249.C0
---------	---------

**Application info**

C8 [06/02--]

11-15 521 0001 | MBD0132

Brake disc



Notes

Wheel Bolt Bore Ø [mm]	13
	Solid
Centering Diameter [mm]	66
Minimum thickness [mm]	9
Outer diameter [mm]	266
Height [mm]	27
Bolt Hole Circle Ø [mm]	108
Brake Disc Thickness [mm]	10
Required quantity	2
Number of Holes	4
	Front Axle

References

16 188 599 80	95 585 454
4249.C4	95 661 746
95 575 080	E169007

Application info

BX (10/82-12/94)

11-15 521 0045/PD | MBD2272PD

Brake disc



Notes

Wheel Bolt Bore Ø [mm]	13.2
	Zink flake coated
	Vented
Centering Diameter [mm]	71.1
Minimum thickness [mm]	28
Outer diameter [mm]	340
Height [mm]	34.2
Bolt Hole Circle Ø [mm]	108
	with bolts/screws
Brake Disc Thickness [mm]	30
Required quantity	2
Number of Holes	4
	Front Axle

References

16 118 414 80	4249.F6
16 188 647 80	

Application info

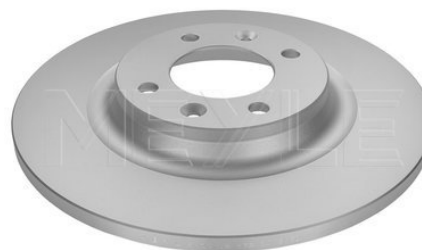
DS5 (09/11-07/15)

C4 II / DS4 (02/09--)



**Brake disc**
**11-15 523 0012/PD | MBD2110PD**
**Notes**

Wheel Bolt Bore Ø [mm]	13
	Zink flake coated
	Solid
Centering Diameter [mm]	71.1
Minimum thickness [mm]	10
Outer diameter [mm]	290
Height [mm]	35
Bolt Hole Circle Ø [mm]	108
Brake Disc Thickness [mm]	12
Required quantity	2
Number of Holes	4
	Rear Axle


**References**

16 118 415 80	4249.F7
16 188 648 80	

**Application info**

DS5 [09/11-07/15]

C4 II / DS4 [02/09--]

**Brake disc**
**11-15 521 0017 | MBD0143**
**Notes**

Wheel Bolt Bore Ø [mm]	13
	Vented
Centering Diameter [mm]	66.02
Minimum thickness [mm]	20
Outer diameter [mm]	266
Height [mm]	34.2
Bolt Hole Circle Ø [mm]	108
Brake Disc Thickness [mm]	22
Required quantity	2
Number of Holes	4
	Front Axle


**References**

16 131 913 80	4249.16
16 188 904 80	4249.83
16 290 588 80	4249.G1
4246.W1	E169141

**Application info**

Berlingo I [07/96-12/11]

Xsara Picasso [09/99-06/12]

C5 I / C5 II [03/01--]

C3 Picasso [02/09--]

C3 II [09/09--]

C4 I / Coupe / Grand Picasso / Picasso / Stufenheck [11/04--]

C2 / C3 I / Pluriel [02/02--]

Xsara [04/97-03/10]

C Elyse [11/12--]

DS3 [11/09-12/16]

C4 II / DS4 [02/09--]

C4 Cactus [09/14--]

C3 III [07/16--]

C3 AIRCROSS II [06/17--]

11-83 521 0017/PD | MBD1765PD

Brake disc



Notes

Wheel Bolt Bore Ø [mm]	13
	Zink flake coated
	High-carbon
	Vented
Centering Diameter [mm]	66.02
Minimum thickness [mm]	20
Outer diameter [mm]	266
Height [mm]	34.2
Bolt Hole Circle Ø [mm]	108
	with bolts/screws
Brake Disc Thickness [mm]	22
Required quantity	2
Number of Holes	4
	Front Axle

References

16 188 904 80	4249.83
16 290 588 80	4249.G1
4246.W1	E169141
4249.16	

Application info

Berlingo I (07/96-12/11)	Xsara (04/97-03/10)
Xsara Picasso (09/99-06/12)	C Elyse (11/12--)
C5 I / C5 II (03/01--)	DS3 (11/09-12/16)
C3 Picasso (02/09--)	C4 II / DS4 (02/09--)
C3 II (09/09--)	C4 Cactus (09/14--)
C4 I / Coupe / Grand Picasso / Picasso / Stufenheck (11/04--)	C3 III (07/16--)
C2 / C3 I / Pluriel (02/02--)	C3 AIRCROSS II (06/17--)

11-15 521 0030 | MBD1702

Brake disc



Notes

Wheel Bolt Bore Ø [mm]	13.2
	Vented
Centering Diameter [mm]	71
Minimum thickness [mm]	26
Outer diameter [mm]	304
Height [mm]	48
Bolt Hole Circle Ø [mm]	108
Brake Disc Thickness [mm]	28
Required quantity	2
Number of Holes	5
	Front Axle

References

16 427 604 80	4249.K1
4249.93	

Application info

C5 III (RD_, TD_) (02/08--)	C4 SPACETOURER / GRAND SPACETOURER (04/18--)
C4 II / DS4 (02/09--)	Berlingo III (06/18--)
Berlingo II (04/08--)	C5 AIRCROSS (11/18--)
C4 Grand Picasso II (01/13--)	



## Brake disc

### 11-15 521 0030/PD | MBD1702PD

#### Notes

Wheel Bolt Bore Ø [mm]	13.2
	Zink flake coated
	Vented
Centering Diameter [mm]	71
Minimum thickness [mm]	26
Outer diameter [mm]	304
Height [mm]	48
Bolt Hole Circle Ø [mm]	108
Brake Disc Thickness [mm]	28
Required quantity	2
Number of Holes	5
	Front Axle



#### References

16 427 604 80	4249.K1
4249.93	

#### Application info

C5 III (RD\_, TD\_) (02/08--)  
 C4 II / DS4 (02/09--)  
 Berlingo II (04/08--)  
 C4 Grand Picasso II (01/13--)

C4 SPACETOURER / GRAND SPACETOURER (04/18--)  
 Berlingo III (06/18--)  
 C5 AIRCROSS (11/18--)

## Brake disc

### 11-15 521 0040/PD | MBD2108PD

#### Notes

	Zink flake coated
	Vented
Centering Diameter [mm]	66
Minimum thickness [mm]	26
Outer diameter [mm]	323
Height [mm]	34.2
Bolt Hole Circle Ø [mm]	108
Brake Disc Thickness [mm]	28
Required quantity	2
Number of Holes	4
	Front Axle



#### References

4249.L6
---------

#### Application info

DS3 (11/09-12/16)

# 3

11-15 523 0011/PD | MBD1764PD

Brake disc



Notes

Wheel Bolt Bore Ø [mm]	15
	Zink flake coated
	Solid
Centering Diameter [mm]	59
Minimum thickness [mm]	10
Outer diameter [mm]	272
Height [mm]	28
Bolt Hole Circle Ø [mm]	98
Brake Disc Thickness [mm]	12
Required quantity	2
Number of Holes	5
	Rear Axle

References

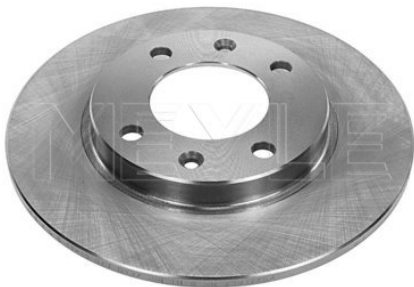
4246.P4	4259.C9
4249.C0	

Application info

C8 [06/02--]

11-15 523 0010 | MBD1763

Brake disc



Notes

Wheel Bolt Bore Ø [mm]	13
	Solid
Centering Diameter [mm]	71.1
Minimum thickness [mm]	6
Outer diameter [mm]	247
Height [mm]	25.3
Bolt Hole Circle Ø [mm]	108
Brake Disc Thickness [mm]	8
Required quantity	2
Number of Holes	4
	Rear Axle

References

1691.15	96 012 770
4249.F5	E169115
95 661 749	

Application info

Saxo [02/96-04/04]  
ZX [03/91-07/99]

Xsara [04/97-03/10]



## Brake disc

### 11-15 523 0010/PD | MBD1763PD

#### Notes

Wheel Bolt Bore Ø [mm]	13
	Zink flake coated
	Solid
Centering Diameter [mm]	71.1
Minimum thickness [mm]	6
Outer diameter [mm]	247
Height [mm]	25.3
Bolt Hole Circle Ø [mm]	108
	with bolts/screws
Brake Disc Thickness [mm]	8
Required quantity	2
Number of Holes	4
	Rear Axle



#### References

1691.15	96 012 770
4249.F5	E169115
95 661 749	

#### Application info

Saxo [02/96-04/04]  
ZX [03/91-07/99]

Xsara [04/97-03/10]

## Brake disc

### 11-15 521 0012 | MBD0139

#### Notes

Wheel Bolt Bore Ø [mm]	13
	Solid
Centering Diameter [mm]	57
Minimum thickness [mm]	6
Outer diameter [mm]	238
Height [mm]	29
Bolt Hole Circle Ø [mm]	98
Brake Disc Thickness [mm]	8
Required quantity	2
Number of Holes	3
	Front Axle



#### References

16 188 598 80	95 638 635
1690.04	95 661 810
4249.C5	95 661 848
95 027 199	E169004

#### Application info

AX [07/86-12/98]

Saxo [02/96-04/04]

40-15 523 1001 | MBD1092

Brake disc



Notes

Wheel Bolt Bore Ø [mm]	13
	Solid
Centering Diameter [mm]	71.1
Minimum thickness [mm]	7
Outer diameter [mm]	224
Height [mm]	57.5
Bolt Hole Circle Ø [mm]	108
Brake Disc Thickness [mm]	9
Required quantity	2
Number of Holes	4
	Rear Axle

References

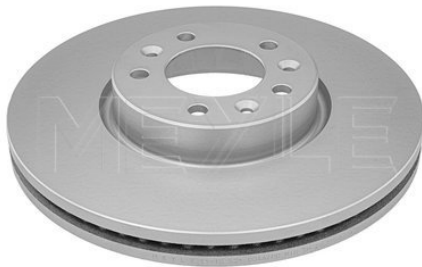
95 667 811

Application info

Xantia [03/93-04/03]

11-15 521 0046/PD | MBD2304PD

Brake disc



Notes

Wheel Bolt Bore Ø [mm]	13.2
	Coated
	Vented
Centering Diameter [mm]	71
Minimum thickness [mm]	26
Outer diameter [mm]	304
Height [mm]	54
Bolt Hole Circle Ø [mm]	108
Brake Disc Thickness [mm]	28
Required quantity	2
Number of Holes	5
	Front Axle

References

98 052 601 80

Application info

Jumpy III [04/16--]

Spacetourer [04/16--]

### Brake disc

11-15 521 0041 | MBD2109

#### Notes

	Vented
Centering Diameter [mm]	71
Minimum thickness [mm]	24
Outer diameter [mm]	283
Height [mm]	48
Bolt Hole Circle Ø [mm]	108
Brake Disc Thickness [mm]	26
Required quantity	2
Number of Holes	5
	Front Axle



#### References

16 427 650 80	9805961480
96 752 233 80	

#### Application info

C4 II / DS4 (02/09--)  
Berlingo II (04/08--)  
C4 Grand Picasso II (01/13--)

C4 SPACETOURER / GRAND SPACETOURER (04/18--)  
Berlingo III (06/18--)

### Brake disc

11-15 521 0041/PD | MBD2109PD

#### Notes

	Zink flake coated
	Vented
Centering Diameter [mm]	71
Minimum thickness [mm]	24
Outer diameter [mm]	283
Height [mm]	48
Bolt Hole Circle Ø [mm]	108
Brake Disc Thickness [mm]	26
Required quantity	2
Number of Holes	5
	Front Axle



#### References

16 427 650 80	9805961480
96 752 233 80	

#### Application info

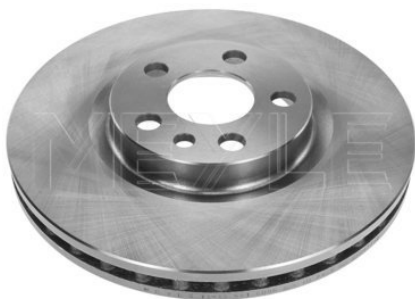
C4 II / DS4 (02/09--)  
Berlingo II (04/08--)  
C4 Grand Picasso II (01/13--)

C4 SPACETOURER / GRAND SPACETOURER (04/18--)  
Berlingo III (06/18--)

3

11-15 521 0006 | MBD0135

Brake disc



Notes

Wheel Bolt Bore Ø [mm]	16.5
	Vented
Centering Diameter [mm]	59
Minimum thickness [mm]	24.2
Outer diameter [mm]	281
Height [mm]	43.7
Bolt Hole Circle Ø [mm]	98
Brake Disc Thickness [mm]	26
Required quantity	2
Number of Holes	5
	Front Axle

References

16 188 635 80	4249.H5
4246.J3	E169008

Application info

Evasion [03/94-10/02]

Jumpy I [06/94-12/06]

11-15 521 0015 | MBD0141

Brake disc



Notes

Wheel Bolt Bore Ø [mm]	16.5
	Vented
Centering Diameter [mm]	59
Minimum thickness [mm]	18
Outer diameter [mm]	257
Height [mm]	40.5
Bolt Hole Circle Ø [mm]	98
Brake Disc Thickness [mm]	20
Required quantity	2
Number of Holes	5
	Front Axle

References

16 188 603 80	4249.L4
4246.H9	E169013

Application info

Evasion [03/94-10/02]

Jumpy I [06/94-12/06]

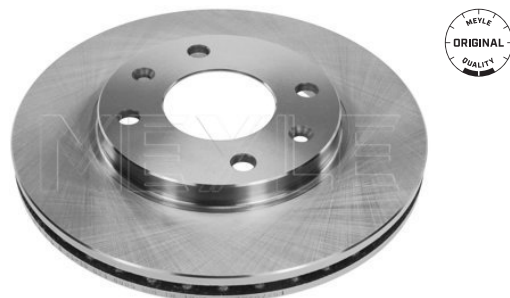


### Brake disc

11-15 521 0031 | MBD1752

#### Notes

Wheel Bolt Bore Ø [mm]	12.8
	Vented
Centering Diameter [mm]	66
Minimum thickness [mm]	18.5
Outer diameter [mm]	247
Height [mm]	34.2
Bolt Hole Circle Ø [mm]	108
Brake Disc Thickness [mm]	20.4
Required quantity	2
Number of Holes	4
	Front Axle



#### References

16 188 644 80	91 517 695
1690.03	95 661 747
4249.96	E169003

#### Application info

AX [07/86-12/98]  
Saxo [02/96-04/04]

ZX [03/91-07/99]  
Xsara [04/97-03/10]

### Brake disc

11-15 521 0031/PD | MBD1752PD

#### Notes

Wheel Bolt Bore Ø [mm]	12.8
	Zink flake coated
	Vented
Centering Diameter [mm]	66
Minimum thickness [mm]	18.5
Outer diameter [mm]	247
Height [mm]	34.2
Bolt Hole Circle Ø [mm]	108
	with bolts/screws
Brake Disc Thickness [mm]	20.4
Required quantity	2
Number of Holes	4
	Front Axle



#### References

16 188 644 80	91 517 695
1690.03	95 661 747
4249.96	E169003

#### Application info

AX [07/86-12/98]  
Saxo [02/96-04/04]

ZX [03/91-07/99]  
Xsara [04/97-03/10]

11-15 521 0032 | MBD1753

Brake disc



Notes

Wheel Bolt Bore Ø [mm]	13
	Vented
Centering Diameter [mm]	66
Minimum thickness [mm]	18.5
Outer diameter [mm]	266
Height [mm]	27.6
Bolt Hole Circle Ø [mm]	108
Brake Disc Thickness [mm]	20.5
Required quantity	2
Number of Holes	4
	Front Axle

References

16 188 597 80	4249.F0
1690.02	95 632 048
4246.R5	95 667 809
4246.W6	E169002

Application info

BX [10/82-12/94]  
Berlingo I [07/96-12/11]  
Xantia [03/93-04/03]

ZX [03/91-07/99]  
Xsara Picasso [09/99-06/12]  
Xsara [04/97-03/10]

11-15 521 0038 | MBD1759

Brake disc



Notes

Wheel Bolt Bore Ø [mm]	13.2
	Vented
Centering Diameter [mm]	71.1
Minimum thickness [mm]	24
Outer diameter [mm]	283
Height [mm]	48
Bolt Hole Circle Ø [mm]	108
Brake Disc Thickness [mm]	26
Required quantity	2
Number of Holes	5
	Front Axle

References

16 063 086 80	4249.L3
16 188 625 80	

Application info

XM [05/89-10/00]



### Brake disc

11-15 521 0038/PD | MBD1759PD

#### Notes

Wheel Bolt Bore Ø [mm]	13.2
	Zink flake coated
	Vented
Centering Diameter [mm]	71.1
Minimum thickness [mm]	24
Outer diameter [mm]	283
Height [mm]	48
Bolt Hole Circle Ø [mm]	108
	with bolts/screws
Brake Disc Thickness [mm]	26
Required quantity	2
Number of Holes	5
	Front Axle



#### References

16 063 086 80	4249.L3
16 188 625 80	

#### Application info

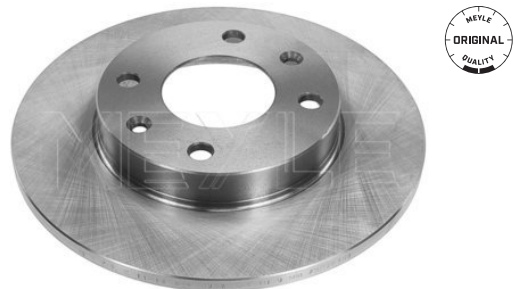
XM [05/89-10/00]

### Brake disc

11-15 521 0042 | MBD1760

#### Notes

Wheel Bolt Bore Ø [mm]	13
	Solid
Centering Diameter [mm]	66
Minimum thickness [mm]	9
Outer diameter [mm]	247
Height [mm]	34.2
Bolt Hole Circle Ø [mm]	108
Brake Disc Thickness [mm]	10
Required quantity	2
Number of Holes	4



#### References

16 188 596 80	95 661 748
1690.01	96 070 525
4249.95	E169001
91 508 338	

#### Application info

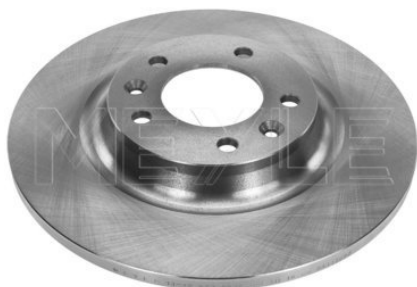
Saxo [02/96-04/04]  
ZX [03/91-07/99]

C15 / Visa [09/78-10/06]

3

11-15 523 0009 | MBD1762

Brake disc



Notes

Wheel Bolt Bore Ø [mm]	13
	Solid
Centering Diameter [mm]	71.1
Minimum thickness [mm]	10
Outer diameter [mm]	290
Height [mm]	35
Bolt Hole Circle Ø [mm]	108
Brake Disc Thickness [mm]	12
Required quantity	2
Number of Holes	5
	Rear Axle

References

4249.72	E 169 157
4249.C1	

Application info

C5 III (RD\_, TD\_) (02/08--)

11-15 523 0038 | MBD0160

Brake disc



Notes

Wheel Bolt Bore Ø [mm]	13
	Solid
Centering Diameter [mm]	71.1
Minimum thickness [mm]	10.8
Outer diameter [mm]	251
Height [mm]	62.4
Bolt Hole Circle Ø [mm]	108
Brake Disc Thickness [mm]	12
Required quantity	2
Number of Holes	4
	Rear Axle

References

4246.L6
---------

Application info

Xantia (03/93-04/03)



## Brake disc

### 215 521 0005 | MBD0373

#### Notes

Wheel Bolt Bore Ø [mm]	15.5
	Solid
Centering Diameter [mm]	73
Minimum thickness [mm]	15.9
Outer diameter [mm]	280
Height [mm]	65.5
Bolt Hole Circle Ø [mm]	118
Brake Disc Thickness [mm]	18
Required quantity	2
Number of Holes	5
	Front Axle

#### References

16 188 636 80	4249.H6
4246.J9	E169015
4249.C9	



#### Application info

Jumper I [02/94-08/02]

Jumper II [02/02--]

## Brake disc

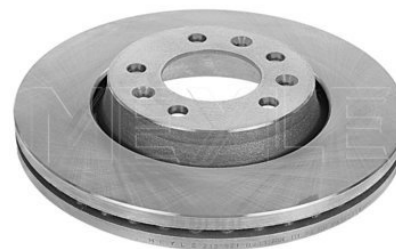
### 215 521 0033 | MBD0394

#### Notes

Wheel Bolt Bore Ø [mm]	13.2
	Vented
Centering Diameter [mm]	71.1
Minimum thickness [mm]	26
Outer diameter [mm]	280
Height [mm]	48
Bolt Hole Circle Ø [mm]	108
Brake Disc Thickness [mm]	28
Required quantity	2
Number of Holes	5
	Front Axle

#### References

16 118 418 80	4249.87
16 188 650 80	4249.J9
4249.21	



#### Application info

Jumpy II [01/07--]

# 3

215 523 0004 | MBD0405

Brake disc



Notes

Wheel Bolt Bore Ø [mm]	17.7
	Solid
Centering Diameter [mm]	79
Minimum thickness [mm]	14.2
Outer diameter [mm]	279.7
Height [mm]	80
Bolt Hole Circle Ø [mm]	130
Brake Disc Thickness [mm]	16
Required quantity	2
Number of Holes	5
	Rear Axle

References

4249.40	4249.K8
4249.A2	

Application info

Jumper II [02/02--]

Jumper III [04/06--]

215 523 0027 | MBD0416

Brake disc



Notes

Wheel Bolt Bore Ø [mm]	15.6
	Solid
Centering Diameter [mm]	72
Minimum thickness [mm]	14.2
Outer diameter [mm]	279.7
Height [mm]	80
Bolt Hole Circle Ø [mm]	118
Brake Disc Thickness [mm]	16
Required quantity	2
Number of Holes	5
	Rear Axle

References

4228.35	4249.A1
4249.31	4249.K7

Application info

Jumper II [02/02--]

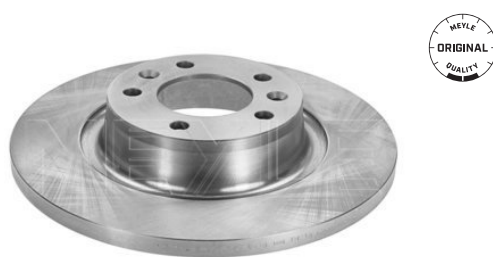
Jumper III [04/06--]

**Brake disc**
**215 523 0029 | MBD0418**
**Notes**

Wheel Bolt Bore Ø [mm]	13.3
	Solid
Centering Diameter [mm]	71
Minimum thickness [mm]	13
Outer diameter [mm]	290
Height [mm]	49
Bolt Hole Circle Ø [mm]	108
Brake Disc Thickness [mm]	14
Required quantity	2
Number of Holes	5
	Rear Axle

**References**

16 118 410 80	4249.23
16 188 643 80	4249.91


**Application info**

Jumpy II (01/07-- )

**Brake disc**
**40-15 521 1004 | MBD1091**
**Notes**

Wheel Bolt Bore Ø [mm]	16.5
	Vented
Centering Diameter [mm]	59
Minimum thickness [mm]	30
Outer diameter [mm]	310
Height [mm]	43.8
Bolt Hole Circle Ø [mm]	98
Brake Disc Thickness [mm]	32
Required quantity	2
Number of Holes	5
	Front Axle

**References**

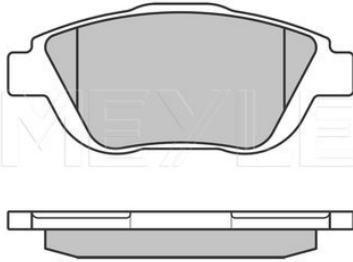
4246.Z8	4249.F2
4249.79	4249.H3


**Application info**

CB (06/02-- )

025 248 8318 | MBP0675

Brake pad set



Notes

Thickness [mm]  
Height [mm]  
Width [mm]  
Brake System

not prepared for wear indicator  
18  
59.2  
136.7  
Bosch  
with anti-squeak plate  
Front Axle

References

16 070 831 80  
16 111 405 80  
16 118 378 80  
16 131 925 80

16 172 756 80  
16 290 383 80  
16 478 635 80  
4254.31

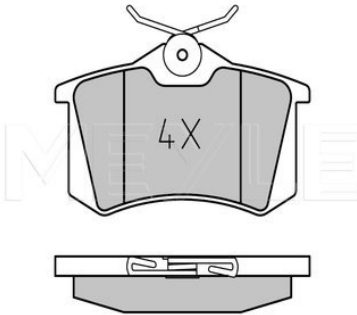
Application info

C3 Picasso (02/09--)  
C3 II (09/09--)  
DS3 (11/09-12/16)

C4 Cactus (09/14--)  
C3 III (07/16--)  
C3 AIRCROSS II (06/17--)

025 209 6117 | MBP0057

Brake pad set



Notes

Thickness [mm]  
Height [mm]  
Width [mm]  
Brake System

not prepared for wear indicator  
17.2  
52.8  
87.1  
TRW  
with anti-squeak plate  
Rear Axle

References

16 070 832 80  
16 085 203 80  
16 086 815 80  
16 092 528 80  
16 114 563 80  
16 118 379 80  
16 131 934 80  
16 168 726 80  
16 172 501 80  
16 197 906 80  
16 230 631 80  
16 231 805 80

16 318 317 80  
16 435 742 80  
16 682 474 80  
4252.23  
4252.33  
4252.41  
4254.20  
4254.28  
4254.67  
4254.C1  
E 172 204

Application info

Berlingo I (07/96-12/11)  
Xsara Picasso (09/99-06/12)  
C8 (06/02--)  
C3 Picasso (02/09--)  
C3 II (09/09--)  
C4 I / Coupe / Grand Picasso / Picasso / Stufenheck (11/04--)  
C2 / C3 I / Pluriel (02/02--)

DS3 (11/09-12/16)  
C4 II / DS4 (02/09--)  
Berlingo II (04/08--)  
C4 Cactus (09/14--)  
C3 III (07/16--)  
C3 AIRCROSS II (06/17--)  
C4 III (10/20--)



### Brake pad set

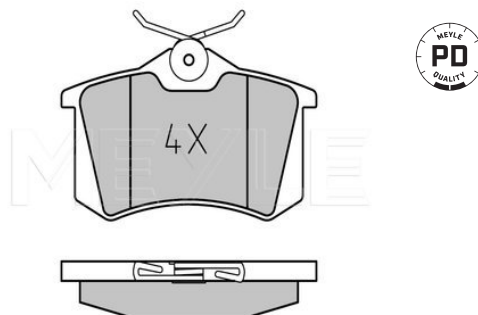
025 209 6117/PD | MBP0057PD

#### Notes

with accessories  
not prepared for wear indicator  
PREMIUM  
Thickness [mm] 17.2  
Height [mm] 52.8  
Width [mm] 87.1  
Brake System TRW  
with bolts/screws  
with anti-squeak plate  
Rear Axle

#### References

16 070 832 80	16 318 317 80
16 085 203 80	16 435 742 80
16 086 815 80	16 682 474 80
16 092 528 80	4252.23
16 114 563 80	4252.33
16 118 379 80	4252.41
16 131 934 80	4254.20
16 168 726 80	4254.28
16 172 501 80	4254.67
16 197 906 80	4254.C1
16 230 631 80	E 172 204
16 231 805 80	



#### Application info

Berlingo I (07/96-12/11)	DS3 (11/09-12/16)
Xsara Picasso (09/99-06/12)	C4 II / DS4 (02/09--)
C8 (06/02--)	Berlingo II (04/08--)
C3 Picasso (02/09--)	C4 Cactus (09/14--)
C3 II (09/09--)	C3 III (07/16--)
C4 I / Coupe / Grand Picasso / Picasso / Stufenheck (11/04--)	C3 AIRCROSS II (06/17--)
C2 / C3 I / Pluriel (02/02--)	C4 III (10/20--)

### Brake pad set

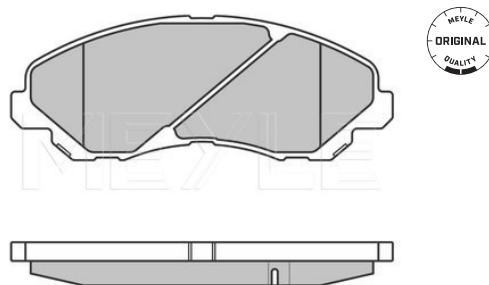
025 235 8416/W | MBP0390

#### Notes

with acoustic wear warning  
Thickness [mm] 16.4  
Height [mm] 54.9  
Width [mm] 144.8  
Number of wear indicators [per axle] 2  
Brake System Akebono  
with anti-squeak plate  
Front Axle

#### References

16 076 903 80	16 076 904 80
---------------	---------------

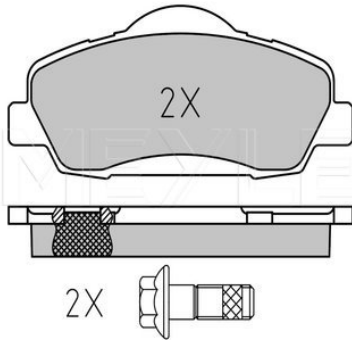


#### Application info

C4 AIRCROSS (08/10--)

025 252 5118 | MBP1706

Brake pad set



Notes

Thickness [mm]	18
Height [mm]	52.7
Width [mm]	132.9
Brake System	MANDO Front Axle

References

16 086 913 80	16 197 905 80
---------------	---------------

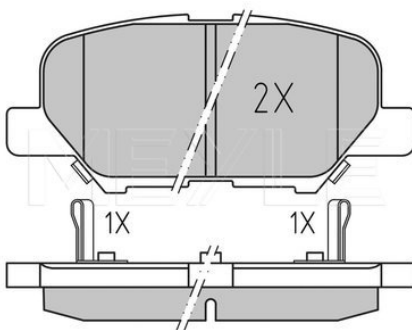
Application info

C Elyse [11/12--]

C4 Cactus [09/14--]

025 256 8814 | MBP1727

Brake pad set



Notes

Thickness [mm]	14.3
Height [mm]	44.3
Width [mm]	101.4
Number of wear indicators [per axle]	2
Brake System	AKEBOND with anti-squeak plate Rear Axle

References

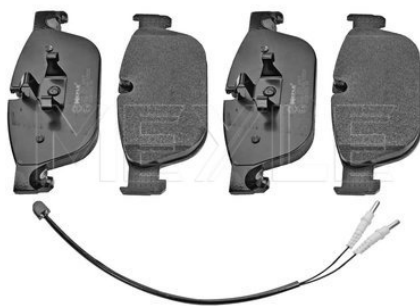
1609899680	16 203 686 80
16 197 907 80	16 356 771 80

Application info

C4 AIRCROSS [08/10--]

025 250 6917 | MBP0689

Brake pad set



Notes

Thickness [mm]	17.3
Height [mm]	74.9
Width [mm]	180.1
Warning Contact Length [mm]	310
Number of wear indicators [per axle]	1
Brake System	ATE with anti-squeak plate Front Axle

References

16 101 040 80	16 172 725 80
16 118 393 80	4254.73

### Brake pad set

025 250 6917 | MBP0689

#### Application info

C6 (09/05-12/12)  
C5 III (RD\_, TD\_) (02/08--)

DS5 (09/11-07/15)  
C4 II / DS4 (02/09--)

### Brake pad set

025 244 6819-1/PD | MBP0813PD

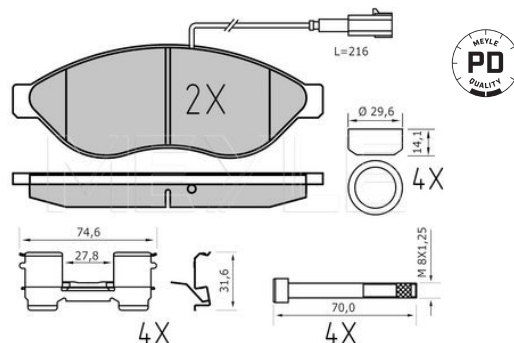
#### Notes

Quality  
Thickness [mm]  
Height [mm]  
Width [mm]  
Warning Contact Length [mm]  
Number of wear indicators [per axle]  
Brake System

with accessories  
incl. wear warning contact  
**PREMIUM**  
19.1  
61.5  
169.2  
155  
  
2  
Brembo  
with anti-squeak plate  
Front Axle

#### References

1611457380	4253.56
1612433880	4254.61
16 238 423 80	E172301



#### Application info

Jumper III (04/06--)

### Brake pad set

025 244 6819/W1 | MBP0599

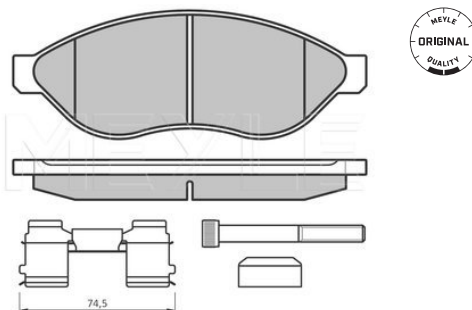
#### Notes

Thickness [mm]  
Height [mm]  
Width [mm]  
Warning Contact Length [mm]  
Number of wear indicators [per axle]  
Brake System

with accessories  
incl. wear warning contact  
19.1  
61.5  
169.2  
155  
  
2  
Brembo  
with anti-squeak plate  
Front Axle

#### References

1611457380	4254.61
1612433880	E172301
4253.56	

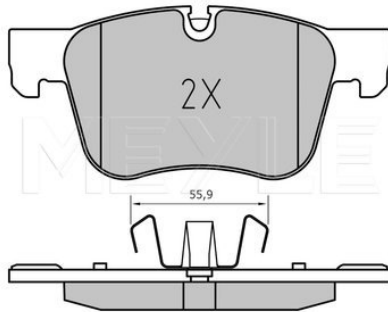


#### Application info

Jumper III (04/06--)

025 258 3317 | MBP1878

Brake pad set



Notes

Thickness [mm] 17  
Height [mm] 70.5  
Width [mm] 155.2  
Front Axle

References

16 098 985 80  
16 124 123 80

16 197 911 80

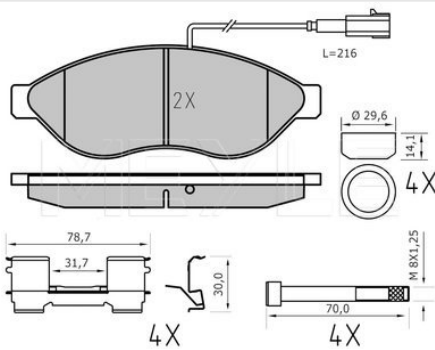
Application info

C4 II / DS4 (02/09--)  
C4 Grand Picasso II (01/13--)

C4 SPACETOURER / GRAND SPACETOURER (04/18--)

025 244 6819-2/PD | MBP0822PD

Brake pad set



Notes

Quality with accessories  
Thickness [mm] incl. wear warning contact  
Height [mm] PREMIUM  
Width [mm] 19.1  
Number of wear indicators [per axle] 61.5  
Warning Contact Length [mm] 169.2  
Brake System 2  
Brems 155  
with anti-squeak plate  
Front Axle

References

1612433980  
4253.58

4254.62

Application info

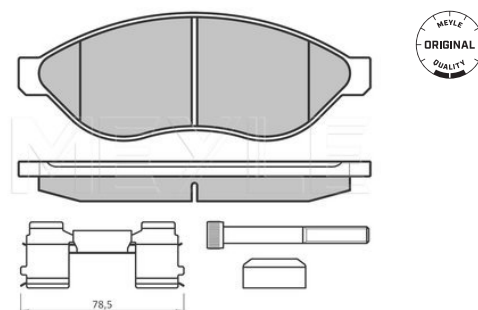
Jumper III (04/06--)

**Brake pad set**
**025 244 6819/W2 | MBP0600**
**Notes**

	with accessories incl. wear warning contact
Thickness [mm]	19.1
Height [mm]	61.5
Width [mm]	169.2
Warning Contact Length [mm]	155
Number of wear indicators [per axle]	2
Brake System	Brembo with anti-squeak plate Front Axle

**References**

14 114 573 80	4253.58
16 118 391 80	4254.62
1612433980	


**Application info**

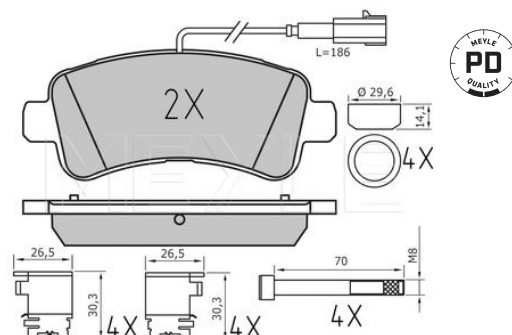
Jumper III [04/06--]

**Brake pad set**
**025 259 8721/PD | MBP1888PD**
**Notes**

	with accessories incl. wear warning contact
Quality	PREMIUM
Thickness [mm]	20.3
Height [mm]	59.3
Width [mm]	141.7
Number of wear indicators [per axle]	2
	with anti-squeak plate Rear Axle

**References**

16 124 340 80


**Application info**

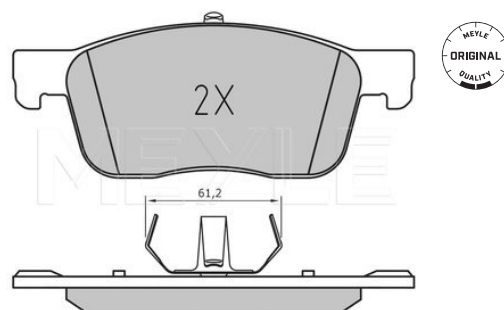
Jumper III [04/06--]

**Brake pad set**
**025 225 9417 | MBP1786**
**Notes**

	not prepared for wear indicator
Thickness [mm]	17
Height [mm]	69.4
Width [mm]	180.2
Brake System	ATE with anti-squeak plate Front Axle

**References**

16 132 607 80	16 735 974 80
---------------	---------------



025 225 9417 | MBP1786

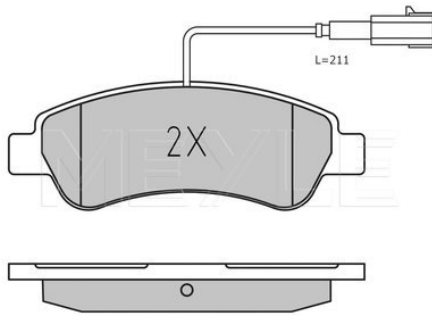
Brake pad set

Application info

Jumpy III (04/16--)

025 220 4119 | MBP1711

Brake pad set



Notes

Thickness [mm]  
Height [mm]  
Width [mm]  
Number of wear indicators [per axle]  
Warning Contact Length [mm]

incl. wear warning contact  
18.8  
48.7  
136.8  
2  
200  
with anti-squeak plate  
Rear Axle

References

1612434180

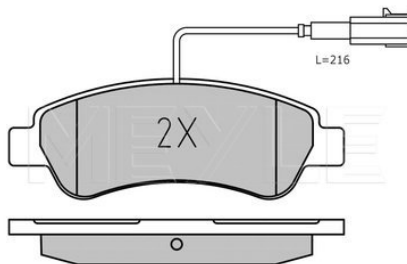
1614412180

Application info

Jumper III (04/06--)

025 220 4119/PD | MBP1711PD

Brake pad set



Notes

Quality  
Thickness [mm]  
Height [mm]  
Width [mm]  
Number of wear indicators [per axle]  
Warning Contact Length [mm]

incl. wear warning contact  
PREMIUM  
18.8  
48.7  
136.8  
2  
200  
with anti-squeak plate  
Rear Axle

References

1612434180

1614412180

Application info

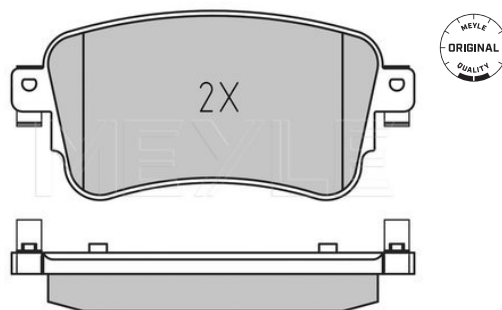
Jumper III (04/06--)

### Brake pad set

025 225 8818 | MBP1785

#### Notes

with acoustic wear warning  
 Thickness [mm] 17.5  
 Height [mm] 53.4  
 Width [mm] 114  
 Brake System TRW  
 with anti-squeak plate  
 Rear Axle



#### References

16 179 368 80

#### Application info

Jumpy III (04/16--)

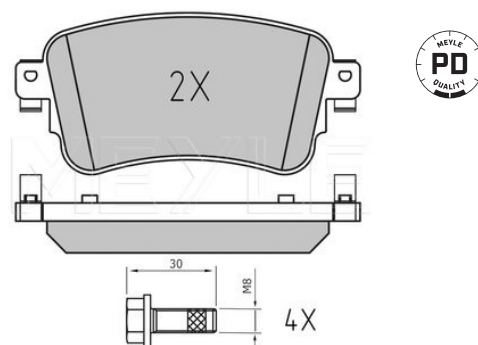
Spacetourer (04/16--)

### Brake pad set

025 225 8818/PD | MBP1785PD

#### Notes

with acoustic wear warning  
 Quality PREMIUM  
 Thickness [mm] 17.5  
 Height [mm] 53.4  
 Width [mm] 114  
 Brake System TRW  
 with bolts/screws  
 with anti-squeak plate  
 Rear Axle



#### References

16 179 368 80

#### Application info

Jumpy III (04/16--)

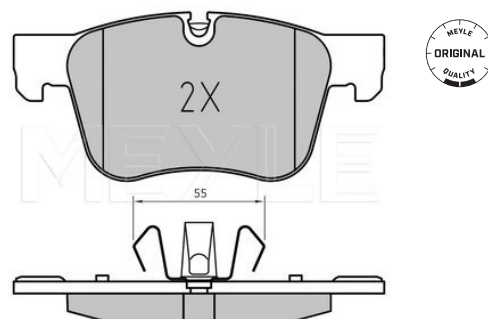
Spacetourer (04/16--)

### Brake pad set

025 258 3417 | MBP1879

#### Notes

prepared for wear indicator  
 Thickness [mm] 17.3  
 Height [mm] 70.3  
 Width [mm] 155.2  
 Number of wear indicators [per axle] 2  
 Front Axle



#### References

16 231 623 80      16 678 170 80  
 16 369 254 80

3

+

025 258 3417 | MBP1879

Brake pad set

Application info

Berlingo II (04/08--)  
C4 Grand Picasso II (01/13--)  
C4 SPACETOURER / GRAND SPACETOURER (04/18--)

Berlingo III (06/18--)  
C5 AIRCROSS (11/18--)

025 207 6417/PD | MBP1894PD

Brake pad set



Notes

Quality  
Thickness [mm]  
Height [mm]  
Width [mm]

with acoustic wear warning  
PREMIUM  
16.5  
47  
92  
Rear Axle

References

16 352 549 80

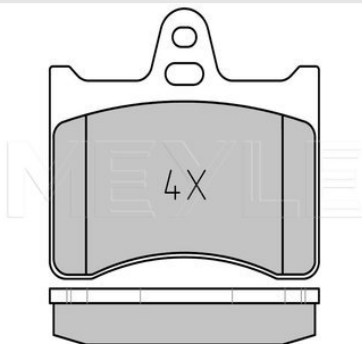
Application info

Berlingo II (04/08--)

Berlingo III (06/18--)

025 203 8915 | MBP0018

Brake pad set



Notes

Thickness [mm]  
Height [mm]  
Width [mm]  
Brake System

not prepared for wear indicator  
15.5  
75  
83  
Citroen  
with anti-squeak plate  
Rear Axle

References

4251.29  
5 462 429  
95 462 429  
95 565 564

95 588 499  
95 624 482  
95 661 798

Application info

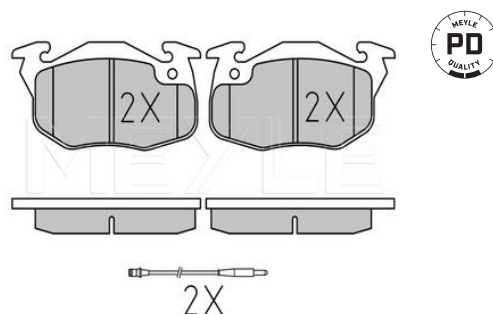
CX I (09/74-08/85)  
Xantia (03/93-04/03)

CX II (07/85-12/92)  
XM (05/89-10/00)



**Brake pad set**
**025 209 0518/PD | MBP0758PD**
**Notes**

Quality	incl. wear warning contact
Thickness [mm]	PREMIUM
Height [mm]	18
Width [mm]	54.5
Number of wear indicators [per axle]	105
Warning Contact Length [mm]	2
Brake System	205
	Bendix
	with anti-squeak plate
	Front Axle


**References**

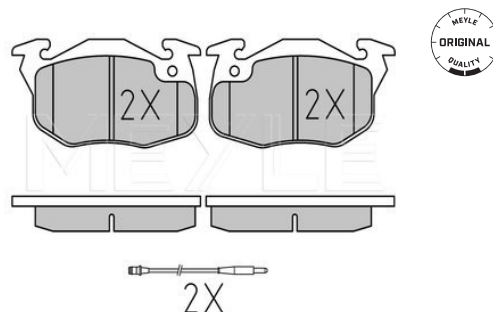
4251.37	4252.73
4251.40	4254.99
4251.47	

**Application info**

Saxo [02/96-04/04]

**Brake pad set**
**025 209 0518/W | MBP0049**
**Notes**

Thickness [mm]	incl. wear warning contact
Height [mm]	18
Width [mm]	54.5
Number of wear indicators [per axle]	105
Warning Contact Length [mm]	2
Brake System	205
	Bendix
	with anti-squeak plate
	Front Axle


**References**

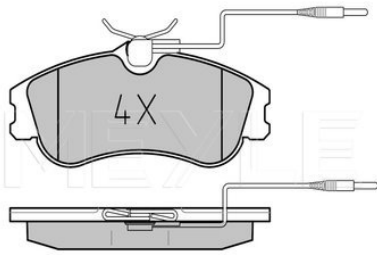
4251.37	4252.72
4251.40	4252.73
4251.47	4254.99

**Application info**

Saxo [02/96-04/04]

025 231 2419/PD | MBP0779PD

Brake pad set



Notes

Quality	incl. wear warning contact
Thickness [mm]	PREMIUM
Height [mm]	19
Width [mm]	56
Number of wear indicators [per axle]	129.8
Brake System	4
	TRW
	with anti-squeak plate
	Front Axle

References

16 113 350 80	4251.55
1720.59	4254.85

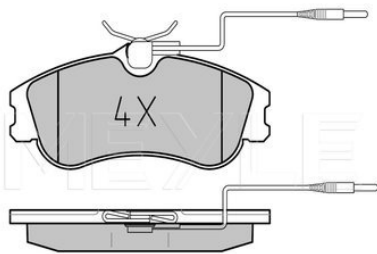
Application info

Berlingo I [07/96-12/11]

Xsara [04/97-03/10]

025 231 2419/W | MBP0266

Brake pad set



Notes

Thickness [mm]	incl. wear warning contact
Height [mm]	19
Width [mm]	56
Number of wear indicators [per axle]	129.8
Brake System	4
	TRW
	with anti-squeak plate
	Front Axle

References

16 113 350 80	4254.85
16 172 544 80	E172059
16 172 731 80	E172073
1720.59	E172532
4251.55	E172536
4253.33	

Application info

Berlingo I [07/96-12/11]

Xsara [04/97-03/10]



### Brake pad set

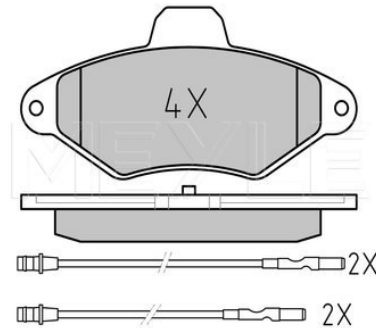
025 216 3117/PD | MBP0769PD

#### Notes

Quality	incl. wear warning contact
Thickness [mm]	PREMIUM
Height [mm]	17
Width [mm]	60.5
Number of wear indicators [per axle]	131
Brake System	4
	Bendix
	with anti-squeak plate
	Front Axle

#### References

4251.14	95 667 785
4251.56	95 667 786
4252.91	



#### Application info

Xantia [03/93-04/03]

### Brake pad set

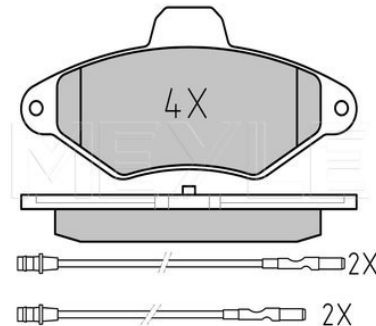
025 216 3117/W | MBP0166

#### Notes

Thickness [mm]	incl. wear warning contact
Height [mm]	17
Width [mm]	60.5
Warning Contact Length [mm]	131
Number of wear indicators [per axle]	365
Warning Contact Length [mm]	4
Brake System	150
	Bendix
	with anti-squeak plate
	Front Axle

#### References

16 172 519 80	95 667 785
4251.14	95 667 786
4251.56	E172027
4252.91	E172511



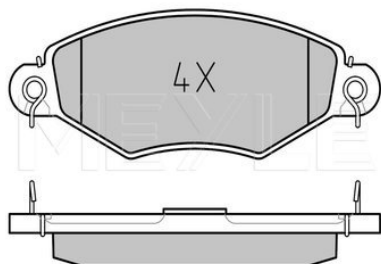
#### Application info

Xantia [03/93-04/03]

3

025 219 8018/PD | MBP0240PD

Brake pad set



Notes

Quality  
Thickness [mm]  
Height [mm]  
Width [mm]  
Brake System

not prepared for wear indicator  
PREMIUM  
18  
47.2  
130.6  
Bosch  
with anti-squeak plate  
Front Axle

References

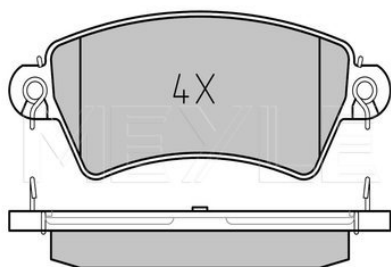
1720.82	4252.05
4251.69	4253.05
4251.92	

Application info

Xsara [04/97-03/10]

025 233 9617 | MBP0334

Brake pad set



Notes

Thickness [mm]  
Height [mm]  
Width [mm]  
Brake System

excl. wear warning contact  
17.2  
52.2  
130.7  
Bosch  
with anti-squeak plate  
Front Axle

References

16 172 560 80	4252.03
1721.03	4254.84

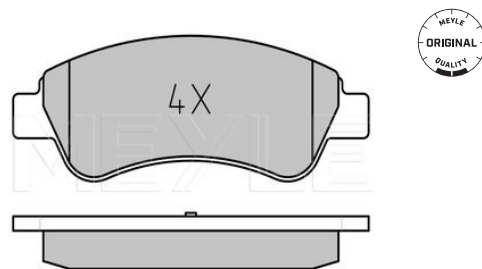
Application info

Xsara [04/97-03/10]

**Brake pad set**
**025 235 9919 | MBP0398**
**Notes**

not prepared for wear indicator

Thickness [mm] 19  
 Height [mm] 51.6  
 Width [mm] 136.7  
 Brake System Bosch  
 with anti-squeak plate  
 Front Axle


**References**

16 104 896 80	4252.40
16 111 406 80	4253.30
16 112 939 80	4253.42
16 131 922 80	4254.23
16 131 932 80	4254.75
16 140 058 80	4254.86
16 172 829 80	E 172 124
16 370 145 80	E 172 227
16 461 861 80	E 172 558
4252.18	E 172 590

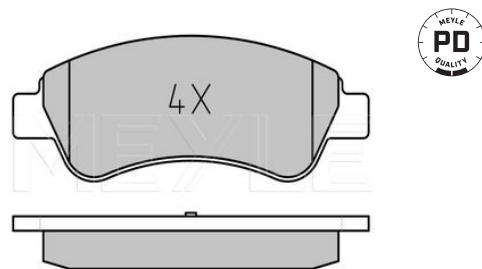
**Application info**

Berlingo I [07/96-12/11]	Xsara [04/97-03/10]
Xsara Picasso [09/99-06/12]	C Elyse [11/12--]
C3 Picasso [02/09--]	DS3 [11/09-12/16]
C3 II [09/09--]	C4 Cactus [09/14--]
C4 I / Coupe / Grand Picasso / Picasso / Stufenheck [11/04--]	C3 III [07/16--]
C2 / C3 I / Pluriel [02/02--]	C3 AIRCROSS II [06/17--]

**Brake pad set**
**025 235 9919/PD | MBP0398PD**
**Notes**

with accessories  
 not prepared for wear indicator

Quality PREMIUM  
 Thickness [mm] 19  
 Height [mm] 51.6  
 Width [mm] 136.7  
 Brake System Bosch  
 with bolts/screws  
 with anti-squeak plate  
 Front Axle


**References**

16 104 896 80	4253.30
16 111 406 80	4253.42
16 112 939 80	4254.23
16 131 922 80	4254.75
16 131 932 80	4254.86
16 140 058 80	E 172 124
16 172 829 80	E 172 227
16 461 861 80	E 172 558
4252.18	E 172 590
4252.40	



025 235 9919/PD | MBP0398PD

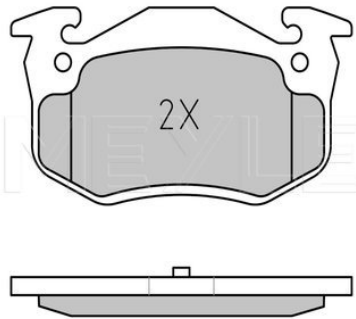
Brake pad set

Application info

Berlingo I [07/96-12/11]	Xsara [04/97-03/10]
Xsara Picasso [09/99-06/12]	C Elyse [11/12--]
C3 Picasso [02/09--]	DS3 [11/09-12/16]
C3 II [09/09--]	C4 Cactus [09/14--]
C4 I / Coupe / Grand Picasso / Picasso / Stufenheck [11/04--]	C3 III [07/16--]
C2 / C3 I / Pluriel [02/02--]	C3 AIRCROSS II [06/17--]

025 209 7311 | MBP0059

Brake pad set



Notes

Thickness [mm]	11
Height [mm]	54.6
Width [mm]	105
Brake System	Bendix with anti-squeak plate Rear Axle

References

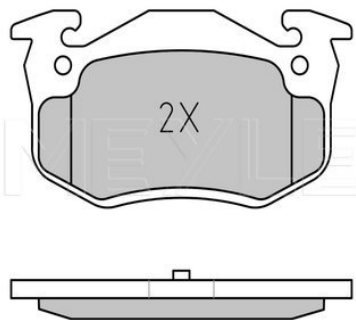
16 172 479 80	4252.74
1722.01	4254.42
4251.46	95 659 341
4251.97	95 666 971
4252.57	E172201

Application info

Saxo [02/96-04/04]	Xsara [04/97-03/10]
ZX [03/91-07/99]	

025 209 7311/PD | MBP0059PD

Brake pad set



Notes

Quality	prepared for wear indicator PREMIUM
Thickness [mm]	11
Height [mm]	54.6
Width [mm]	105
Brake System	Bendix with anti-squeak plate Rear Axle

References

16 172 479 80	4252.74
1722.01	4254.42
4251.46	95 659 341
4251.97	95 666 971
4252.57	E172201

Application info

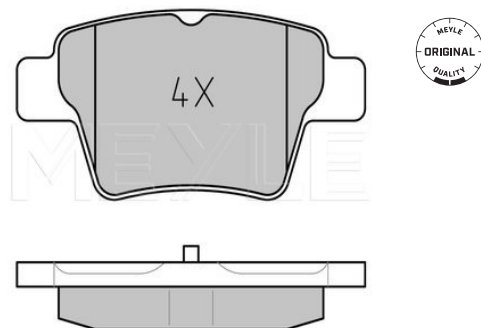
Saxo [02/96-04/04]	Xsara [04/97-03/10]
ZX [03/91-07/99]	

**Brake pad set**
**025 241 5017 | MBP0534**
**Notes**

Thickness [mm]	excl. wear warning contact
Height [mm]	17.6
Width [mm]	46.8
Brake System	94.8
	Bosch
	with anti-squeak plate
	Rear Axle

**References**

4253.25	4254.76
4253.99	E 172 286
4254.40	


**Application info**

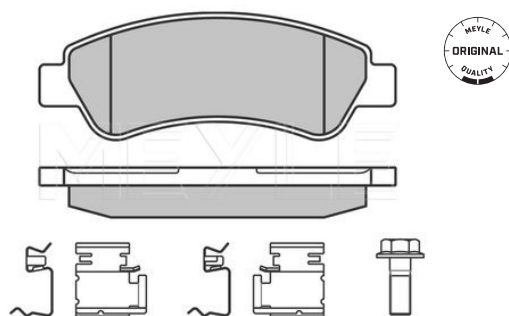
C4 I / Coupe / Grand Picasso / Picasso / Stufenheck (11/04-- )

**Brake pad set**
**025 244 6519 | MBP0596**
**Notes**

Thickness [mm]	with accessories
Height [mm]	excl. wear warning contact
Width [mm]	19.1
Brake System	48.9
	136.8
	Brembo
	with anti-squeak plate
	Rear Axle

**References**

16 111 408 80	4253.60
16 114 574 80	4254.69
16 172 650 80	E 172 302


**Application info**

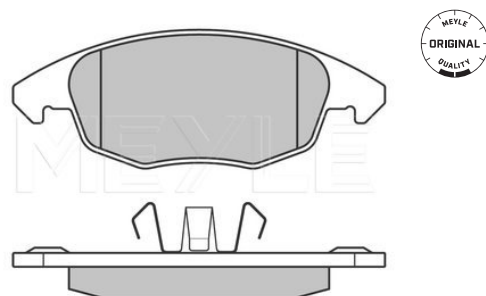
Jumper III (04/06-- )

**Brake pad set**
**025 245 3818 | MBP0618**
**Notes**

Thickness 2 [mm]	not prepared for wear indicator
Thickness 1 [mm]	18.3
Height 2 [mm]	18.8
Height 1 [mm]	57.7
Width [mm]	64.7
Brake System	155.3
	ATE
	with anti-squeak plate
	Front Axle

**References**

4253.61	4254.C0
4254.13	E 172 295
4254.25	



025 245 3818 | MBP0618

Brake pad set

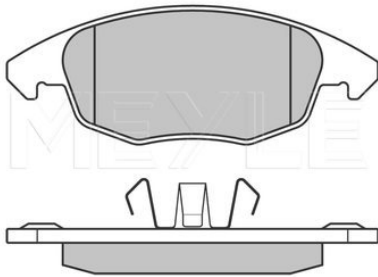
Application info

Berlingo I [07/96-12/11]  
C4 I / Coupe / Grand Picasso / Picasso / Stufenheck [11/04--]  
DS5 [09/11-07/15]

C4 II / DS4 [02/09--]  
Berlingo II [04/08--]

025 245 3818/PD | MBP0618PD

Brake pad set



Notes

Quality  
Thickness 2 [mm]  
Thickness 1 [mm]  
Height 2 [mm]  
Height 1 [mm]  
Width [mm]  
Brake System

not prepared for wear indicator  
PREMIUM  
18.3  
18.8  
57.7  
64.7  
155.3  
ATE  
with anti-squeak plate  
Front Axle

References

4253.61	4254.C0
4254.13	E 172 295
4254.25	

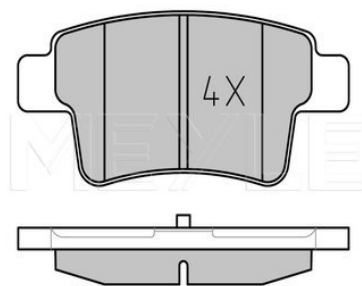
Application info

Berlingo I [07/96-12/11]  
C4 I / Coupe / Grand Picasso / Picasso / Stufenheck [11/04--]  
DS5 [09/11-07/15]

C4 II / DS4 [02/09--]  
Berlingo II [04/08--]

025 245 4016 | MBP0620

Brake pad set



Notes

Thickness [mm]  
Height [mm]  
Width [mm]

not prepared for wear indicator  
16.4  
48.4  
102  
with anti-squeak plate  
Rear Axle

References

4253.71	4254.32
---------	---------

Application info

C4 I / Coupe / Grand Picasso / Picasso / Stufenheck [11/04--]





### Brake pad set

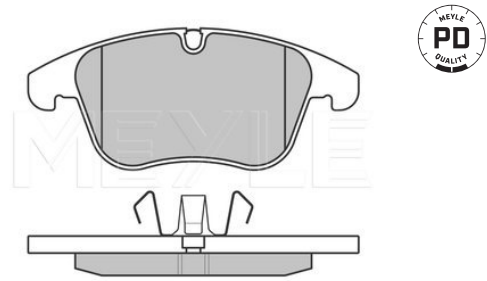
025 243 3218/PD | MBP0572PD

#### Notes

Quality	incl. wear warning contact
Thickness 2 [mm]	PREMIUM
Thickness 1 [mm]	18.5
Height 2 [mm]	18.5
Height 1 [mm]	72
Width 2 [mm]	66.5
Width 1 [mm]	155.1
Brake System	ATE
	with anti-squeak plate
	Front Axle

#### References

16 101 038 80	4254.24
4254.03	



#### Application info

C5 III (RD\_, TD\_) (02/08--)

### Brake pad set

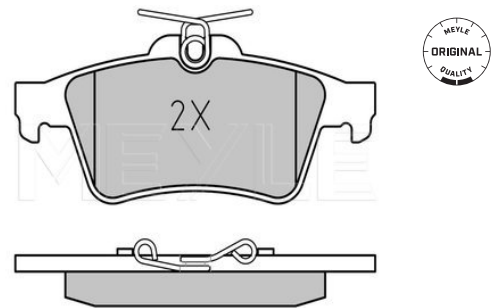
025 241 3716 | MBP0531

#### Notes

Thickness [mm]	with spring
Height [mm]	not prepared for wear indicator
Width [mm]	16.1
Brake System	51.9
	123
	ATE
	with anti-squeak plate
	Rear Axle

#### References

4254.05
---------



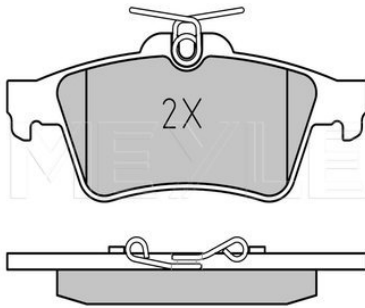
#### Application info

C5 III (RD\_, TD\_) (02/08--)

3

025 241 3716/PD | MBP0531PD

Brake pad set



Notes

Quality  
Thickness [mm]  
Height [mm]  
Width [mm]  
Brake System

with spring  
not prepared for wear indicator  
PREMIUM  
16.1  
51.9  
123  
ATE  
with anti-squeak plate  
Rear Axle

References

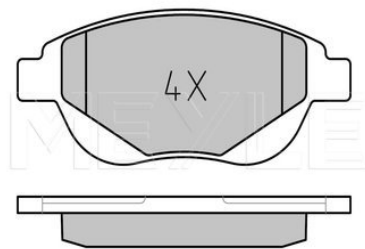
4254.05

Application info

C5 III (RD\_, TD\_) (02/08--)

025 250 9419 | MBP0690

Brake pad set



Notes

Thickness [mm]  
Height [mm]  
Width [mm]  
Brake System

not prepared for wear indicator  
19  
56.9  
136.8  
Bosch  
with anti-squeak plate  
Front Axle

References

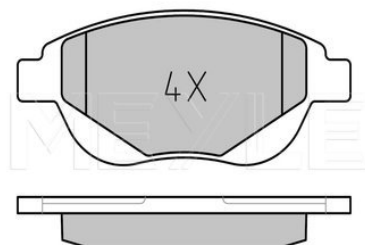
4254.27

Application info

C4 I / Coupe / Grand Picasso / Picasso / Stufenheck (11/04--)

025 250 9419/PD | MBP0690PD

Brake pad set



Notes

Quality  
Thickness [mm]  
Height [mm]  
Width [mm]  
Brake System

not prepared for wear indicator  
PREMIUM  
19  
56.9  
136.8  
Bosch  
with anti-squeak plate  
Front Axle

References

4254.27

### Brake pad set

025 250 9419/PD | MBP0690PD

#### Application info

C4 I / Coupe / Grand Picasso / Picasso / Stufenheck [11/04--]

### Brake pad set

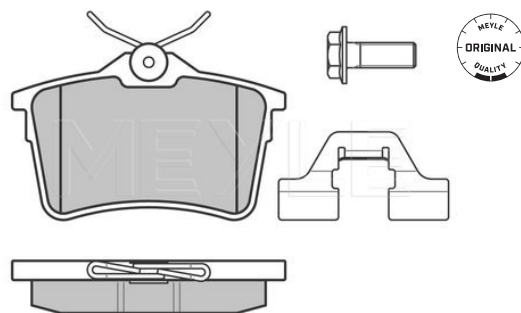
025 247 6516/W | MBP0664

#### Notes

Thickness [mm]	16.6
Height [mm]	53
Width [mm]	86.8
Brake System	ATE with anti-squeak plate Rear Axle

#### References

4254.14	4254.29
---------	---------



#### Application info

Berlingo I [07/96-12/11]

Berlingo II [04/08--]

### Brake pad set

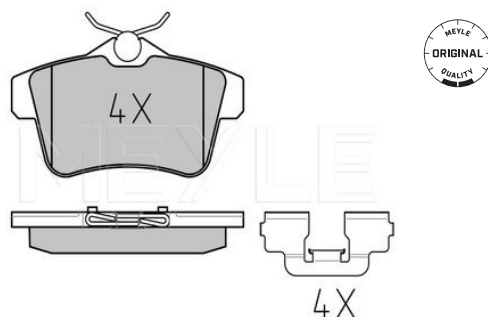
025 249 2217 | MBP0678

#### Notes

Thickness [mm]	17.3
Height [mm]	55.9
Width [mm]	103.7
Brake System	TRW with anti-squeak plate Rear Axle

#### References

16 085 206 80	16 231 808 80
16 086 816 80	4254.35
16 118 380 80	4254.44
16 168 727 80	4254.46
16 172 726 80	



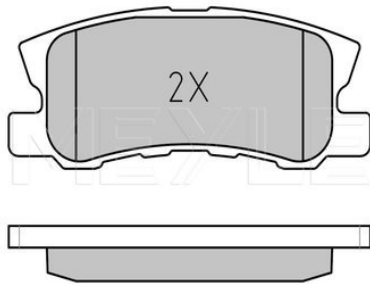
#### Application info

DS5 [09/11-07/15]

C4 II / DS4 [02/09--]

Ø25 235 8216 | MBP0389

Brake pad set



Notes

Thickness [mm] 16  
Height 2 [mm] 44.9  
Height 1 [mm] 44.8  
Width 2 [mm] 91  
Width 1 [mm] 111.3  
excl. wear warning contact  
with anti-squeak plate  
Rear Axle

References

16 118 389 80 4253.91  
16 172 652 80 4254.48

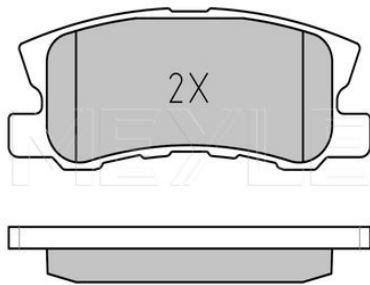
Application info

C-Crosser [Ø2/Ø7--]

C4 AIRCROSS [Ø8/10--]

Ø25 235 8216/PD | MBP0389PD

Brake pad set



Notes

Quality PREMIUM  
Thickness [mm] 16  
Height 2 [mm] 44.9  
Height 1 [mm] 44.8  
Width 2 [mm] 91  
Width 1 [mm] 111.3  
excl. wear warning contact  
with anti-squeak plate  
Rear Axle

References

16 118 389 80 4254.48  
4253.91

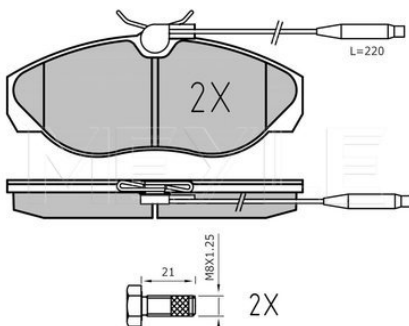
Application info

C-Crosser [Ø2/Ø7--]

C4 AIRCROSS [Ø8/10--]

Ø25 217 9719/PD | MBP1664PD

Brake pad set



Notes

Quality PREMIUM  
Thickness [mm] 19.2  
Height [mm] 60.8  
Width [mm] 145  
Number of wear indicators [per axle] 2  
Brake System TRW  
incl. wear warning contact  
with anti-squeak plate  
Front Axle

References

4251.17 4254.51

### Brake pad set

025 217 9719/PD | MBP1664PD

#### Application info

Jumper I [02/94-08/02]

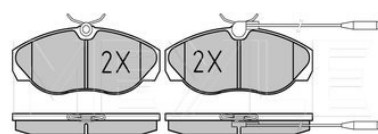
Jumper II [02/02--]

### Brake pad set

025 217 9719/W | MBP0195

#### Notes

	incl. wear warning contact
Thickness [mm]	19.2
Height [mm]	60.8
Width [mm]	145
Number of wear indicators [per axle]	2
Brake System	TRW with anti-squeak plate Front Axle



#### References

16 114 580 80	4251.17
16 172 804 80	4254.51

#### Application info

Jumper I [02/94-08/02]

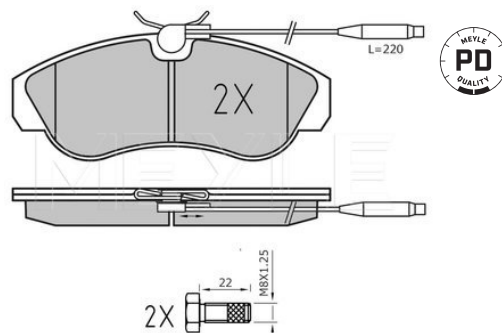
Jumper II [02/02--]

### Brake pad set

025 217 9919/PD | MBP1665PD

#### Notes

	incl. wear warning contact
Quality	PREMIUM
Thickness [mm]	19.2
Height [mm]	64.1
Width [mm]	159.7
Number of wear indicators [per axle]	2
Brake System	TRW with anti-squeak plate Front Axle



#### References

4251.19	4254.52
---------	---------

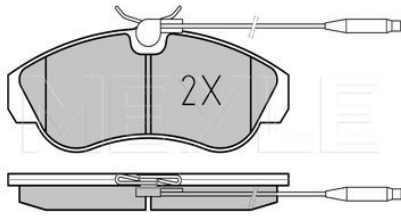
#### Application info

Jumper I [02/94-08/02]

Jumper II [02/02--]

025 217 9919/W | MBP0196

Brake pad set



Notes

Thickness [mm]	19.2
Height [mm]	64.1
Width [mm]	159.7
Number of wear indicators [per axle]	2
Brake System	TRW with anti-squeak plate Front Axle

References

4251.19	4254.52
---------	---------

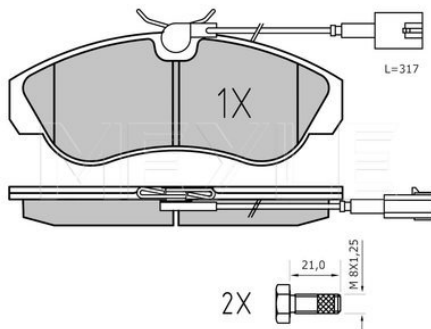
Application info

Jumper I [02/94-08/02]

Jumper II [02/02--]

025 236 0319/PD | MBP1667PD

Brake pad set



Notes

Quality	incl. wear warning contact PREMIUM
Thickness [mm]	19.2
Height [mm]	64.1
Width [mm]	159.7
Number of wear indicators [per axle]	1
Brake System	TRW with anti-squeak plate Front Axle

References

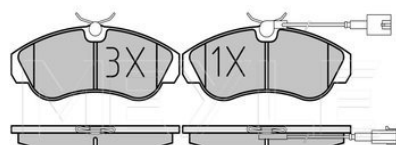
4252.27	4254.56
---------	---------

Application info

Jumper I [02/94-08/02]

025 236 0319/W | MBP0402

Brake pad set



Notes

Thickness [mm]	19.2
Height [mm]	64.1
Width [mm]	159.7
Number of wear indicators [per axle]	1
Brake System	TRW with anti-squeak plate Front Axle

References

4252.27	4254.56
---------	---------

### Brake pad set

025 236 0319/W | MBP0402

#### Application info

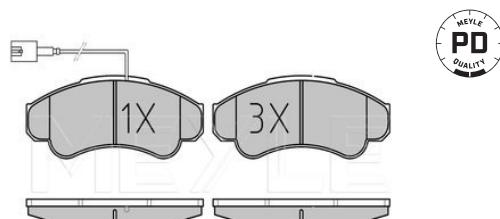
Jumper I (02/94-08/02)

### Brake pad set

025 239 1919/PD | MBP1668PD

#### Notes

Quality	incl. wear warning contact PREMIUM
Thickness [mm]	19
Height [mm]	69.6
Width [mm]	164.7
Number of wear indicators [per axle]	1
Brake System	Brembo with anti-squeak plate Front Axle



#### References

4252.45                      4254.59

#### Application info

Jumper I (02/94-08/02)

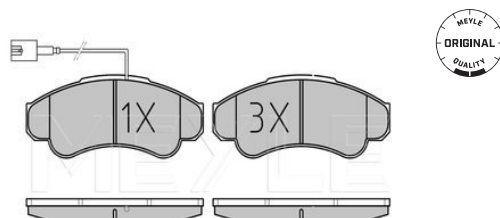
Jumper II (02/02--)

### Brake pad set

025 239 1919/W | MBP0473

#### Notes

Thickness [mm]	incl. wear warning contact 19
Height [mm]	69.6
Width [mm]	164.7
Number of wear indicators [per axle]	1
Brake System	Brembo with anti-squeak plate Front Axle



#### References

4252.45                      4254.C2  
4254.59

#### Application info

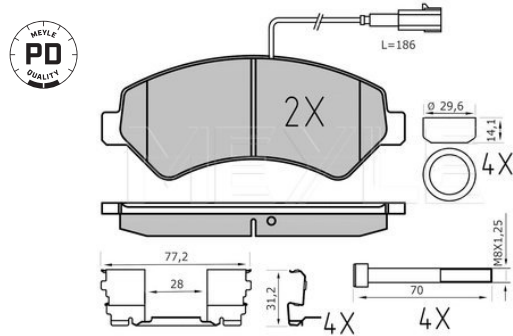
Jumper I (02/94-08/02)

Jumper II (02/02--)

3

025 244 6619-1/PD | MBP1669PD

Brake pad set



Notes

Quality  
Thickness [mm]  
Height [mm]  
Width [mm]  
Number of wear indicators [per axle]  
Warning Contact Length [mm]  
Brake System

with accessories  
incl. wear warning contact  
PREMIUM  
19.1  
69.1  
169.2  
1  
155  
Brembo  
with bolts/screws  
with anti-squeak plate  
Front Axle

References

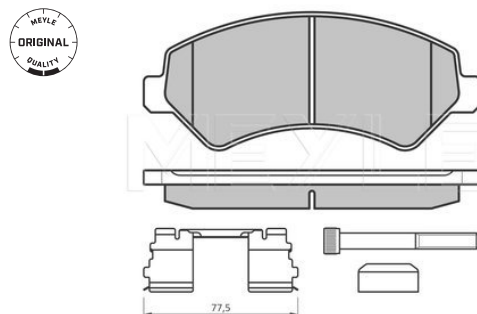
4254.63

Application info

Jumper III (04/06--)

025 244 6619/W1 | MBP0597

Brake pad set



Notes

Thickness [mm]  
Height [mm]  
Width [mm]  
Warning Contact Length [mm]  
Number of wear indicators [per axle]  
Brake System

with accessories  
incl. wear warning contact  
19.1  
69.1  
169.2  
155  
1  
Brembo  
with bolts/screws  
with anti-squeak plate  
Front Axle

References

16 118 392 80  
16 124 336 80

16 172 845 80  
4254.63

Application info

Jumper III (04/06--)

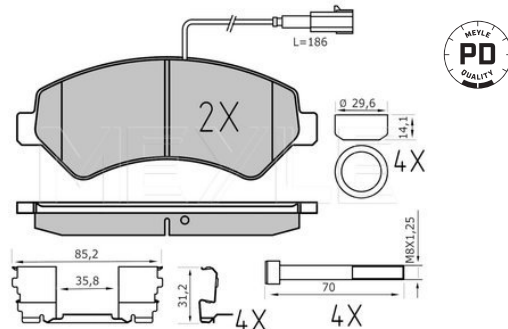


**Brake pad set**

**Ø25 244 6619-2/PD | MBP1670PD**

**Notes**

Quality  
Thickness [mm] 19.1  
Height [mm] 69.1  
Width [mm] 169.2  
Number of wear indicators [per axle] 1  
Warning Contact Length [mm] 155  
Brake System  
with accessories  
incl. wear warning contact  
**PREMIUM**  
155  
Brembo  
with bolts/screws  
with anti-squeak plate  
Front Axle



**References**

4253.74                      4254.64  
4253.76

**Application info**

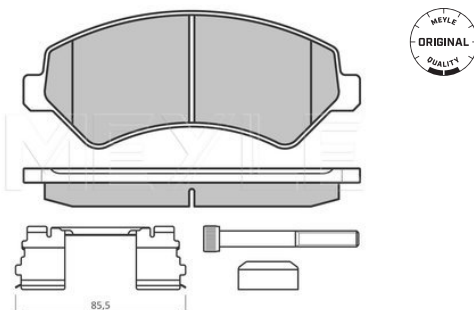
Jumper III (Ø4/Ø6--)

**Brake pad set**

**Ø25 244 6619/W2 | MBP0598**

**Notes**

Thickness [mm] 19.1  
Height [mm] 69.1  
Width [mm] 169.2  
Warning Contact Length [mm] 155  
Number of wear indicators [per axle] 1  
Brake System  
with accessories  
incl. wear warning contact  
**ORIGINAL**  
155  
Brembo  
with bolts/screws  
with anti-squeak plate  
Front Axle



**References**

16 124 337 80                      4253.76  
16 238 426 80                      4254.64  
4253.74

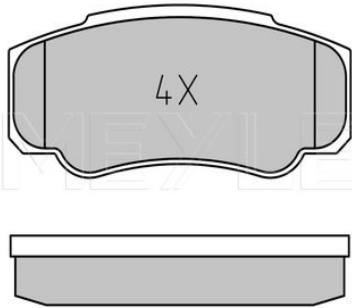
**Application info**

Jumper III (Ø4/Ø6--)

**3**

025 239 2120 | MBP0474

Brake pad set



Notes

Thickness [mm]  
Height [mm]  
Width [mm]  
Brake System

excl. wear warning contact  
20.1  
49.8  
109.5  
Brembo  
with anti-squeak plate  
Rear Axle

References

16 114 577 80	4254.43
16 172 817 80	4254.68
4252.47	E172357

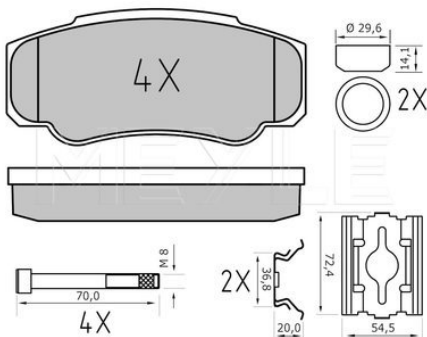
Application info

Jumper I [02/94-08/02]

Jumper II [02/02--]

025 239 2120/PD | MBP0474PD

Brake pad set



Notes

Quality  
Thickness [mm]  
Height [mm]  
Width [mm]  
Brake System

excl. wear warning contact  
PREMIUM  
20.1  
49.8  
109.5  
Brembo  
with anti-squeak plate  
Rear Axle

References

4252.47	4254.68
---------	---------

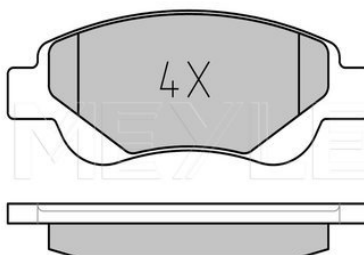
Application info

Jumper I [02/94-08/02]

Jumper II [02/02--]

025 239 5917 | MBP0484

Brake pad set



Notes

Thickness [mm]  
Height [mm]  
Width [mm]  
Brake System

excl. wear warning contact  
17.2  
47  
122.9  
Bosch  
with anti-squeak plate  
Front Axle

References

16 114 569 80	4254.74
16 172 648 80	E 172 283
4253.28	

Application info

C1 [06/05-09/14]

C1 II [04/14--]

### Brake pad set

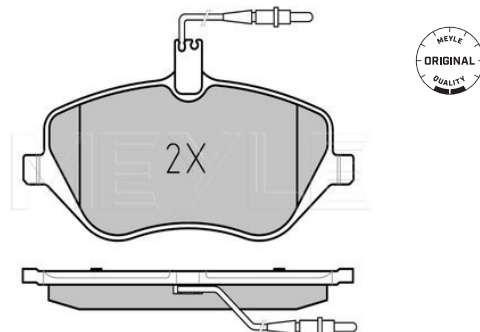
025 241 3317/W | MBP0528

#### Notes

Thickness [mm]	incl. wear warning contact
Height [mm]	17.7
Width [mm]	79.1
Number of wear indicators [per axle]	162.4
Brake System	4
	TRW
	with anti-squeak plate
	Front Axle

#### References

16 114 589 80	4254.A3
16 172 701 80	E 172 155
4252.94	E 172 237
4254.11	E 172 314
4254.80	E 172 569
4254.A0	



#### Application info

AX [07/86-12/98] C5 III [RD\_, TD\_] [02/08--]  
 C6 [09/05-12/12]

### Brake pad set

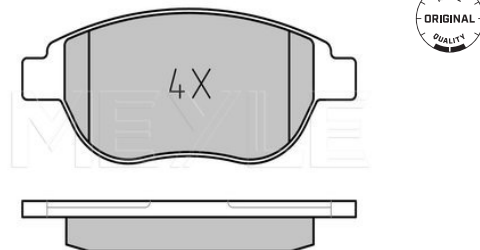
025 236 0019 | MBP0399

#### Notes

Thickness [mm]	excl. wear warning contact
Height [mm]	19
Width [mm]	57.2
Brake System	136.8
	Bosch
	with anti-squeak plate
	Front Axle

#### References

16 111 409 80	4254.92
4252.35	E 172 125
4252.53	E 172 284
4253.31	E 172 315
4253.70	E 172 559
4254.71	

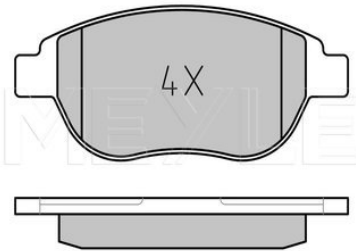


#### Application info

Berlingo I [07/96-12/11] C2 / C3 I / Pluriel [02/02--]  
 Xsara Picasso [09/99-06/12] Xsara [04/97-03/10]  
 C4 I / Coupe / Grand Picasso / Picasso / Stufenheck [11/04--]

025 236 0019/PD | MBP0399PD

Brake pad set



Notes

Quality  
Thickness [mm]  
Height [mm]  
Width [mm]  
Brake System

excl. wear warning contact  
PREMIUM  
19  
57.2  
136.8  
Bosch  
with anti-squeak plate  
Front Axle

References

16 111 409 80	4254.92
4252.35	E 172 125
4252.53	E 172 284
4253.31	E 172 315
4253.70	E 172 559
4254.71	

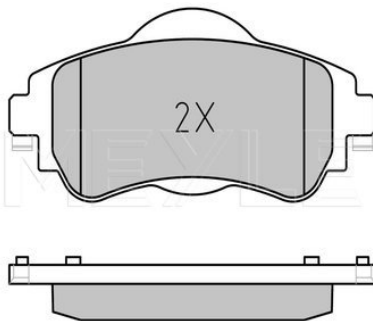
Application info

Berlingo I [07/96-12/11]  
Xsara Picasso [09/99-06/12]  
C4 I / Coupe / Grand Picasso / Picasso / Stufenheck [11/04--]

C2 / C3 I / Pluriel [02/02--]  
Xsara [04/97-03/10]

025 252 2018 | MBP0697

Brake pad set



Notes

Thickness [mm]  
Height 2 [mm]  
Height 1 [mm]  
Width [mm]  
Brake System

with acoustic wear warning  
Disc Brake  
18.5  
61.2  
53  
129  
TRW  
with anti-squeak plate  
Front Axle

References

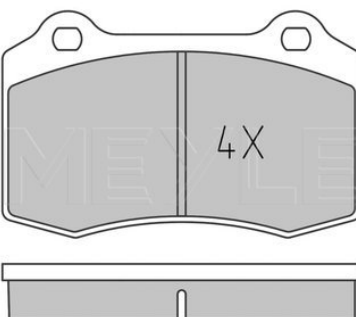
16 118 400 80	4254.A9
16 172 732 80	

Application info

C4 II / DS4 [02/09--]

025 213 8115 | MBP1568

Brake pad set



Notes

Thickness [mm]  
Height [mm]  
Width [mm]  
Brake System

not prepared for wear indicator  
15  
69.3  
109.8  
Brembo  
with anti-squeak plate

References

16 196 074 80	4254.C6
---------------	---------



## Brake pad set

025 213 8115 | MBP1568

### Application info

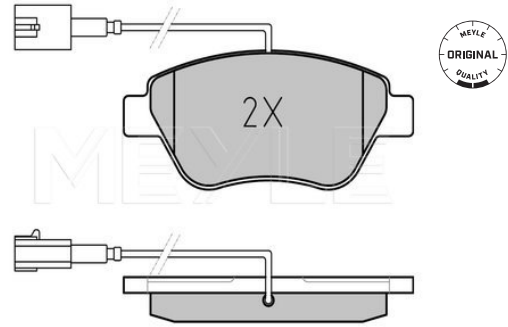
DS3 (11/09-12/16)

## Brake pad set

025 237 0617/W | MBP0423

### Notes

	with integrated wear sensor
Thickness [mm]	17.8
Height [mm]	53.3
Width [mm]	122.8
Number of wear indicators [per axle]	2
Brake System	Bosch with anti-squeak plate Front Axle



### References

16 092 532 80	4254.C8
---------------	---------

### Application info

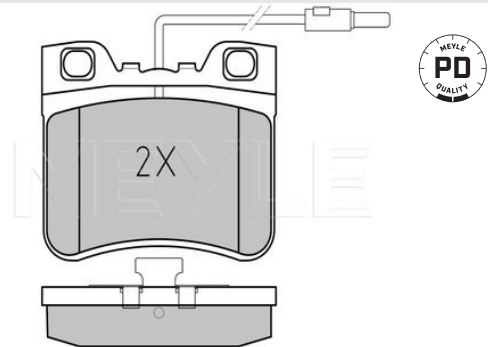
Nemo (02/08--)

## Brake pad set

025 212 6717/PD | MBP0762PD

### Notes

	incl. wear warning contact
Quality	PREMIUM
Thickness [mm]	17.1
Height [mm]	60.6
Width [mm]	72
Number of wear indicators [per axle]	4
Brake System	ATE with anti-squeak plate Front Axle



### References

1720.66	4254.93
4251.28	95 619 550
4251.89	95 646 300
4252.85	95 647 611
4252.86	95 658 617
4253.21	

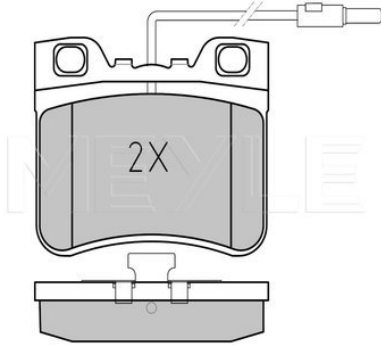
### Application info

AX (07/86-12/98)

Saxo (02/96-04/04)

025 212 6717/W | MBP0100

Brake pad set



Notes

Thickness [mm]	incl. wear warning contact
Height [mm]	17.1
Width [mm]	60.6
Number of wear indicators [per axle]	72
Brake System	4
	ATE
	with anti-squeak plate
	Front Axle

References

16 172 489 80	95 619 601
1720.66	95 646 300
4251.28	95 647 611
4251.89	95 650 935
4252.85	95 650 936
4252.86	95 650 937
4253.21	95 650 938
4254.93	95 658 617
95 619 549	E172533
95 619 550	

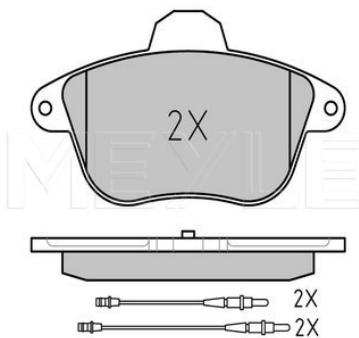
Application info

AX [07/86-12/98]

Saxo [02/96-04/04]

025 215 0417/W | MBP0147

Brake pad set



Notes

Thickness [mm]	incl. wear warning contact
Height [mm]	17
Width [mm]	73
Warning Contact Length [mm]	130.9
Number of wear indicators [per axle]	120
Warning Contact Length [mm]	4
Brake System	340
	Bendix
	with anti-squeak plate
	Front Axle

References

4252.95	95 659 640
95 659 639	

Application info

XM [05/89-10/00]

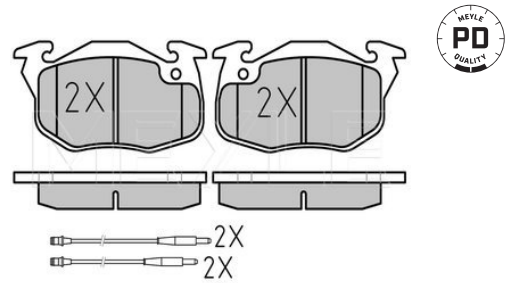


## Brake pad set

### 025 209 0618/PD | MBP0759PD

#### Notes

Quality	incl. wear warning contact
Thickness [mm]	PREMIUM
Height [mm]	18
Width [mm]	54
Warning Contact Length [mm]	105
Warning Contact Length [mm]	305
Number of wear indicators [per axle]	190
Brake System	4
	Bendix
	with anti-squeak plate
	Front Axle



#### References

95659340	95666970
95659616	

#### Application info

AX [07/86-12/98]  
ZX [03/91-07/99]

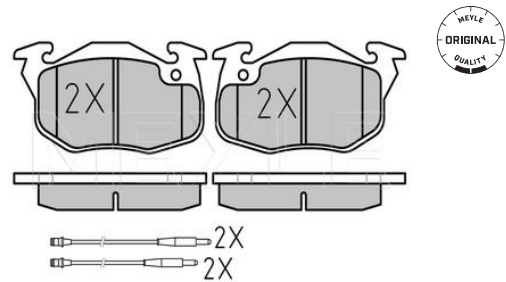
C15 / Visa [09/78-10/06]

## Brake pad set

### 025 209 0618/W | MBP0050

#### Notes

Thickness [mm]	incl. wear warning contact
Height [mm]	18
Width [mm]	54
Warning Contact Length [mm]	105
Warning Contact Length [mm]	305
Number of wear indicators [per axle]	4
Brake System	190
	Bendix
	with anti-squeak plate
	Front Axle



#### References

95659340	95666970
95659616	

#### Application info

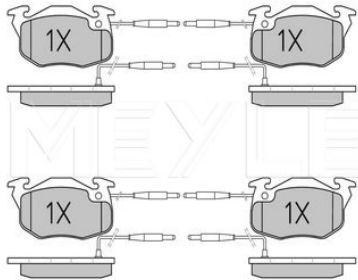
AX [07/86-12/98]  
ZX [03/91-07/99]

C15 / Visa [09/78-10/06]

# 3

025 214 1418/W | MBP0126

Brake pad set



Notes

Thickness [mm]	18
Height [mm]	54
Width [mm]	105
Warning Contact Length [mm]	370
Number of wear indicators [per axle]	4
Warning Contact Length [mm]	290
Brake System	Bendix with anti-squeak plate Front Axle

References

95 659 340	95 666 970
95 659 616	

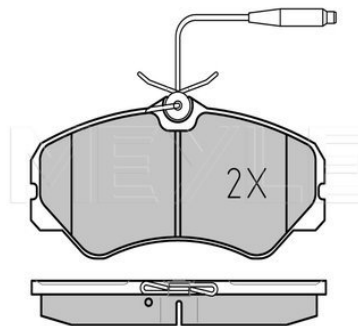
Application info

AX [07/86-12/98]  
ZX [03/91-07/99]

C15 / Visa [09/78-10/06]

025 212 0519/W | MBP0093

Brake pad set



Notes

Thickness [mm]	19.5
Height [mm]	71.6
Width [mm]	145
Number of wear indicators [per axle]	2
Brake System	TRW with anti-squeak plate Front Axle

References

09 938 205	95 640 895
95 615 159	95 667 765

Application info

C25 [07/81-07/94]



### Brake pad set

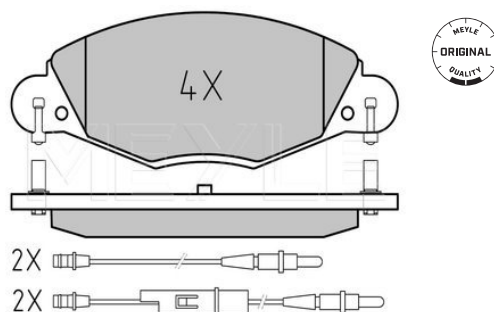
025 232 7318 | MBP0306

#### Notes

Thickness [mm] 17.6  
 Height [mm] 61.5  
 Width [mm] 168.8  
 Brake System Bosch  
 with anti-squeak plate  
 Front Axle

#### References

16 172 741 80 4252.89  
 4252.16 E 172 230  
 4252.49



#### Application info

C5 I / C5 II (03/01--)

### Brake pad set

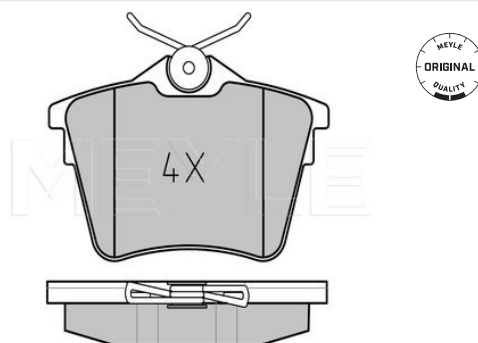
025 241 3517 | MBP0530

#### Notes

Thickness [mm] 17.8  
 Height [mm] 56.8  
 Width [mm] 86  
 Brake System TRW  
 with anti-squeak plate  
 Rear Axle

#### References

4254.04 4254.91  
 4254.21 E 172 240



#### Application info

C5 III (RD\_, TD\_) (02/08--)

### Brake pad set

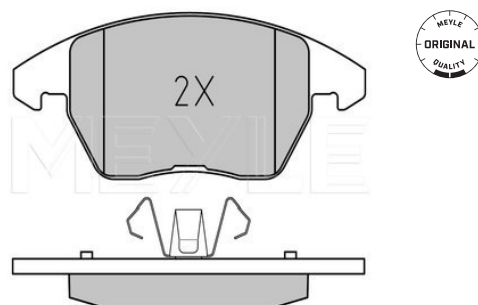
025 235 8919 | MBP0393

#### Notes

Thickness [mm] 19.3  
 Height 2 [mm] 66  
 Height 1 [mm] 71.5  
 Width 2 [mm] 155.2  
 Width 1 [mm] 156.5  
 Brake System ATE  
 with anti-squeak plate  
 Front Axle

#### References

16 099 879 80 4253.44  
 16 759 012 80 4254.88  
 4253.23 E 172 359



025 235 8919 | MBP0393

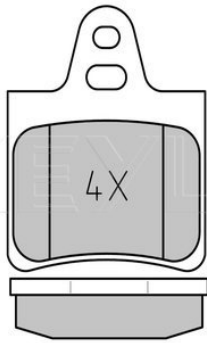
Brake pad set

Application info

C4 I / Coupe / Grand Picasso / Picasso / Stufenheck (11/04--)

025 201 6215 | MBP0008

Brake pad set



Notes

Thickness [mm]  
Height [mm]  
Width [mm]  
Brake System

excl. wear warning contact  
not prepared for wear indicator  
15.4  
65.3  
54.1  
Citroen  
with anti-squeak plate  
Rear Axle

References

16 172 556 80	95 654 085
4251.72	95 659 642
4251.83	95 666 973
95 650 872	95 667 788
95 651 047	E172193

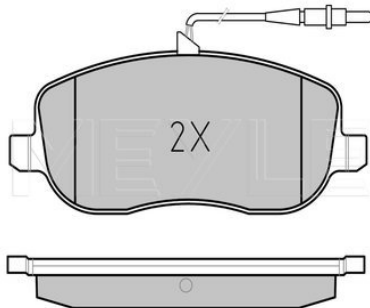
Application info

Xantia (03/93-04/03)

XM (05/89-10/00)

025 202 6119/W | MBP0014

Brake pad set



Notes

Thickness [mm]  
Height [mm]  
Width [mm]  
Number of wear indicators [per axle]  
Brake System

incl. wear warning contact  
18.8  
60  
146.6  
2  
TRW  
with anti-squeak plate  
Front Axle

References

16 172 583 80	4254.57
4252.31	E172592

Application info

Jumpy I (06/94-12/06)

C8 (06/02--)

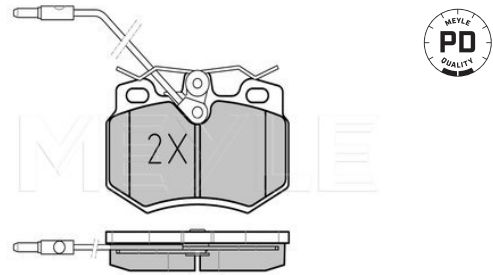


## Brake pad set

### 025 210 8017/PD | MBP0761PD

#### Notes

Quality	incl. wear warning contact
Thickness [mm]	PREMIUM
Height [mm]	17.5
Width [mm]	62.8
Number of wear indicators [per axle]	89.7
Brake System	4
	TRW
	with anti-squeak plate
	Front Axle



#### References

95 611 498	95 647 733
95 616 818	95 661 871

#### Application info

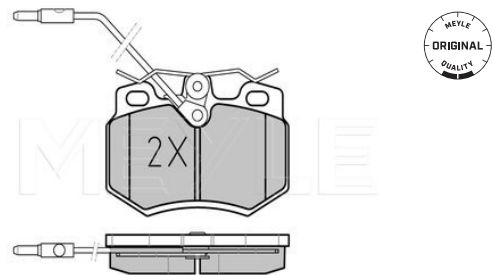
AX [07/86-12/98]	C15 / Visa [09/78-10/06]
ZX [03/91-07/99]	

## Brake pad set

### 025 210 8017/W | MBP0072

#### Notes

Thickness [mm]	incl. wear warning contact
Height [mm]	17.5
Width [mm]	62.8
Number of wear indicators [per axle]	89.7
Brake System	4
	TRW
	with anti-squeak plate
	Front Axle



#### References

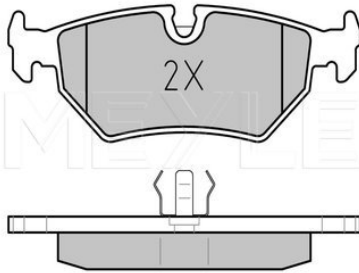
16 114 585 80	95 647 733
16 172 483 80	95 659 353
95 611 498	95 661 871
95 616 818	

#### Application info

AX [07/86-12/98]	C15 / Visa [09/78-10/06]
ZX [03/91-07/99]	

025 212 7517 | MBP0102

Brake pad set



Notes

Thickness [mm]  
Height [mm]  
Width [mm]  
Brake System

prepared for wear indicator  
16.9  
43.1  
123.2  
ATE  
with anti-squeak plate  
Rear Axle

References

16 172 765 80  
4251.12

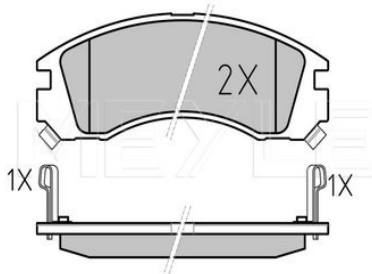
4254.66  
E172279

Application info

Evasion (03/94-10/02)

025 213 6315/PD | MBP1578PD

Brake pad set



Notes

Quality  
Thickness [mm]  
Height [mm]  
Width [mm]  
Number of wear indicators [per axle]  
Brake System

with acoustic wear warning  
PREMIUM  
15.7  
58.4  
149.6  
2  
Akebono  
with anti-squeak plate  
Front Axle

References

4253.88

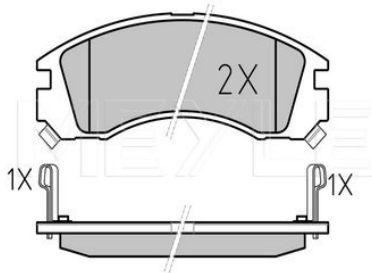
4254.30

Application info

C-Crosser (02/07--)

025 213 6315/W | MBP0116

Brake pad set



Notes

Thickness [mm]  
Height [mm]  
Width [mm]  
Number of wear indicators [per axle]  
Brake System

with acoustic wear warning  
15.7  
58.4  
149.6  
2  
Akebono  
with anti-squeak plate  
Front Axle

References

16 203 684 80  
4253.88

4254.30



## Brake pad set

025 213 6315/W | MBP0116

### Application info

C-Crosser [02/07--]

## Brake pad set

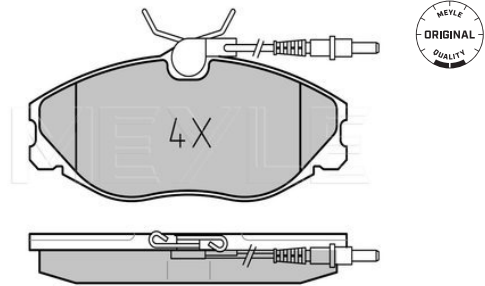
025 216 7419/W | MBP0179

### Notes

	incl. wear warning contact
Thickness [mm]	18.7
Height [mm]	56.3
Width [mm]	130
Number of wear indicators [per axle]	4
Brake System	TRW with anti-squeak plate Front Axle

### References

16 172 541 80	E172522
4251 44	



### Application info

ZX [03/91-07/99]

Xsara [04/97-03/10]

## Brake pad set

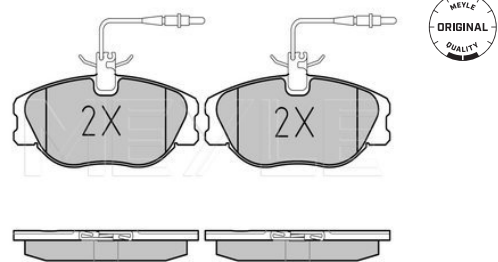
025 218 0119/W | MBP0197

### Notes

	incl. wear warning contact
Thickness [mm]	19.1
Height [mm]	58.9
Width [mm]	129.8
Number of wear indicators [per axle]	4
Brake System	TRW with anti-squeak plate Front Axle

### References

16 114 581 80	4254.53
16 172 492 80	E172039
4251.10	



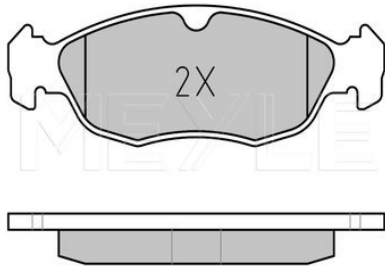
### Application info

Evasion [03/94-10/02]

Jumpy I [06/94-12/06]

Ø25 218 2717 | MBP0199

Brake pad set



Notes

Thickness [mm]  
Height [mm]  
Width 2 [mm]  
Width 1 [mm]  
Brake System

not prepared for wear indicator  
17.3  
47.6  
140.2  
141.4  
ATE  
with anti-squeak plate  
Front Axle

References

16 172 523 80	4251.70
4251.21	4253.06
4251.38	E172513
4251.39	

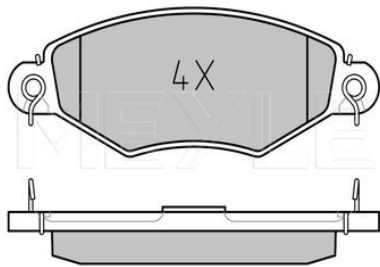
Application info

Saxo [02/96-04/04]

Xsara [04/97-03/10]

Ø25 219 8018 | MBP0240

Brake pad set



Notes

Thickness [mm]  
Height [mm]  
Width [mm]  
Brake System

not prepared for wear indicator  
18  
47.2  
130.6  
Bosch  
with anti-squeak plate  
Front Axle

References

1720.82	4252.05
4251.69	4253.05
4251.92	

Application info

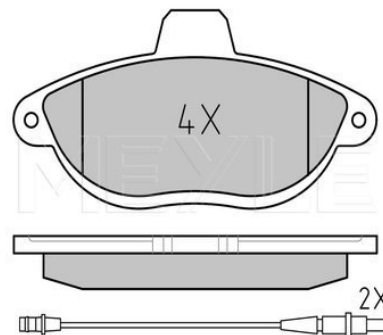
Xsara [04/97-03/10]

### Brake pad set

025 230 4218/PD | MBP1583PD

#### Notes

Quality	incl. wear warning contact
Thickness [mm]	PREMIUM
Height [mm]	19
Width [mm]	68.8
Number of wear indicators [per axle]	139.6
Brake System	2
	Bendix
	with anti-squeak plate
	Front Axle



#### References

4251.26	4254.54
4251.50	

#### Application info

Evasion [03/94-10/02]

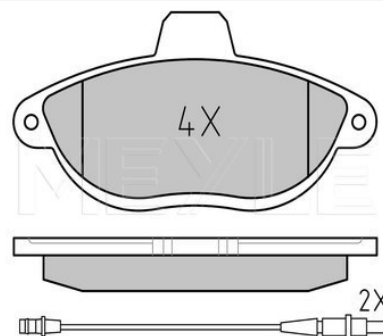
Jumpy I [06/94-12/06]

### Brake pad set

025 230 4218/W | MBP0248

#### Notes

Thickness [mm]	incl. wear warning contact
Height [mm]	19
Width [mm]	68.8
Number of wear indicators [per axle]	139.6
Brake System	2
	Bendix
	with anti-squeak plate
	Front Axle



#### References

16 172 505 80	4254.54
4251.26	E172050
4251.50	

#### Application info

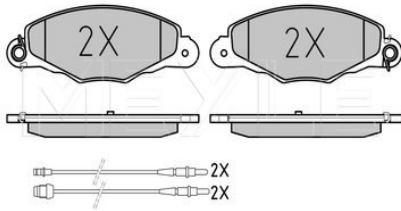
Evasion [03/94-10/02]

Jumpy I [06/94-12/06]

3

025 231 3518/W | MBP0269

Brake pad set



Notes

Thickness [mm]	18
Height [mm]	61.2
Width [mm]	169
Number of wear indicators [per axle]	4
Brake System	Bosch with anti-squeak plate Front Axle

References

4251.45	4253.01
4252.11	

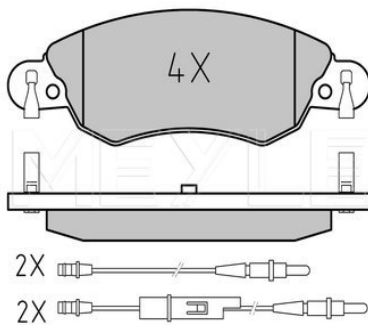
Application info

Xantia [03/93-04/03]

XM [05/89-10/00]

025 232 7617/W | MBP0307

Brake pad set



Notes

Thickness [mm]	17.2
Height [mm]	48
Width [mm]	148.8
Number of wear indicators [per axle]	2
Brake System	Bosch with anti-squeak plate Front Axle

References

4252.14	4252.87
---------	---------

Application info

C5 I / C5 II [03/01--]



**Brake pad set**

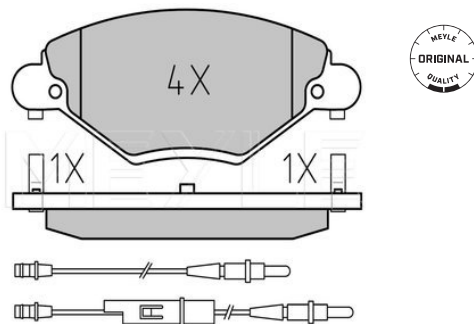
**025 232 7717/W | MBP0308**

**Notes**

Thickness [mm]	incl. wear warning contact
Height [mm]	17.7
Width [mm]	59
Number of wear indicators [per axle]	148.9
Brake System	4
	Bosch
	with anti-squeak plate
	Front Axle

**References**

16 114 564 80	4252.88
16 172 571 80	4253.46
4252.15	E 172 229
4252.48	



**Application info**

C5 I / C5 II [03/01--]

**Brake pad set**

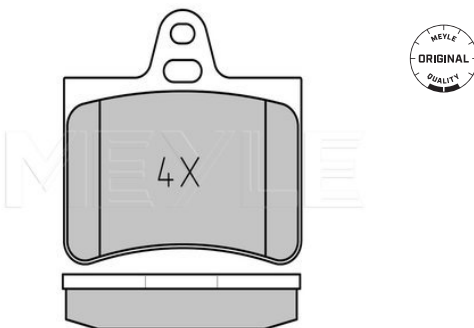
**025 233 0515 | MBP0318**

**Notes**

Thickness [mm]	excl. wear warning contact
Height [mm]	15.4
Width [mm]	70.5
Brake System	73
	Citroen
	with anti-squeak plate
	Rear Axle

**References**

4252.17	E 172 231
4252.90	E 172 591
4253.34	



**Application info**

C5 I / C5 II [03/01--]

**Brake pad set**

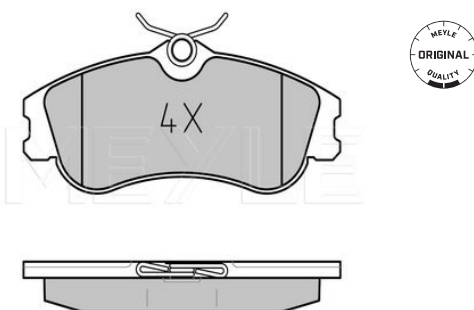
**025 233 4619 | MBP0325**

**Notes**

Thickness [mm]	excl. wear warning contact
Height [mm]	19.2
Width [mm]	56
Brake System	129.8
	TRW
	with anti-squeak plate
	Front Axle

**References**

4252.13	4253.80
4252.34	



025 233 4619 | MBP0325

Brake pad set

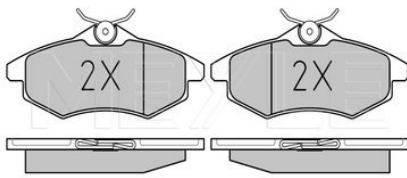
Application info

Berlingo I [07/96-12/11]

Xsara Picasso [09/99-06/12]

025 234 0719 | MBP0337

Brake pad set



Notes

Thickness [mm]  
Height [mm]  
Width [mm]  
Brake System

excl. wear warning contact  
19.3  
52.4  
122.7  
TRW  
with anti-squeak plate  
Front Axle

References

4252.36  
4252.58  
4253.45

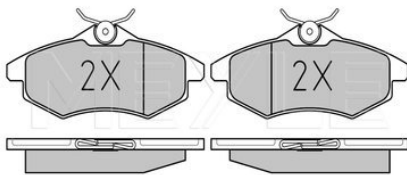
4253.69  
4253.84  
E 172 285

Application info

C2 / C3 I / Pluriel [02/02--]

025 234 0719/PD | MBP0337PD

Brake pad set



Notes

Quality  
Thickness [mm]  
Height [mm]  
Width [mm]  
Brake System

excl. wear warning contact  
PREMIUM  
19.3  
52.4  
122.7  
TRW  
with anti-squeak plate  
Front Axle

References

4252.36  
4252.58  
4253.45

4253.69  
4253.84  
E 172 285

Application info

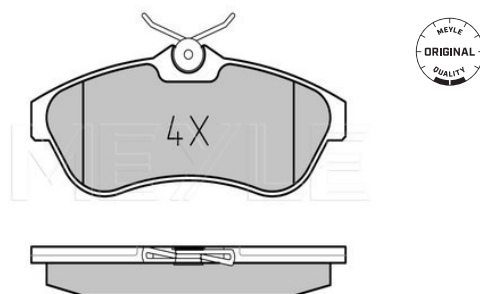
C2 / C3 I / Pluriel [02/02--]

**Brake pad set**
**025 234 0919 | MBP0338**
**Notes**

Thickness [mm]	excl. wear warning contact
Height [mm]	18.8
Width [mm]	55.8
Brake System	128.9
	TRW
	with anti-squeak plate
	Front Axle

**References**

16 113 346 80	4253.72
16 172 702 80	E 172 282
4252.37	


**Application info**

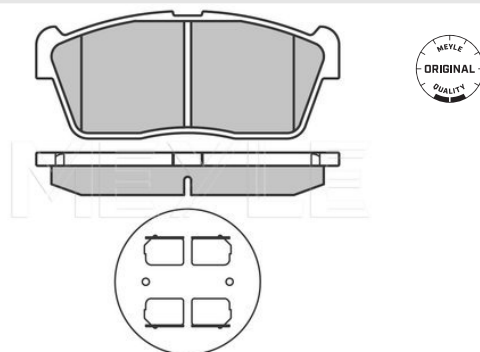
C2 / C3 I / Pluriel (02/02--)

**Brake pad set**
**025 235 0715 | MBP0364**
**Notes**

Thickness [mm]	with acoustic wear warning
Height [mm]	15.2
Width [mm]	45.6
Number of wear indicators [per axle]	108.4
Brake System	2
	Sumitomo
	with anti-squeak plate
	Front Axle

**References**

16 062 256 80	16 102 756 80
---------------	---------------


**Application info**

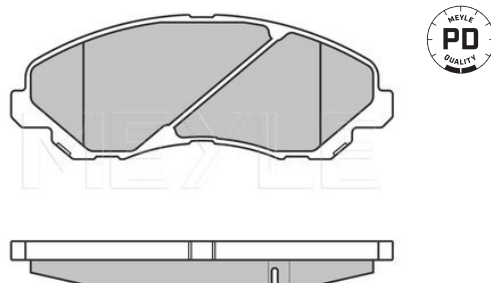
C-Zero (10/10--)

**Brake pad set**
**025 235 8416/PD | MBP1585PD**
**Notes**

Quality	with acoustic wear warning
Thickness [mm]	PREMIUM
Height [mm]	16.4
Width [mm]	54.9
Number of wear indicators [per axle]	144.8
Brake System	2
	Akebono
	with anti-squeak plate
	Front Axle

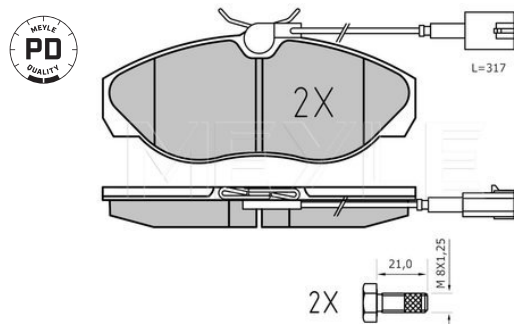
**Application info**

C4 AIRCROSS (08/10--)



025 236 0219/PD | MBP1666PD

Brake pad set



Notes

Quality  
Thickness [mm]  
Height [mm]  
Width [mm]  
Number of wear indicators [per axle]  
Brake System

incl. wear warning contact  
PREMIUM  
19.2  
60.8  
145  
1  
TRW  
with anti-squeak plate  
Front Axle

References

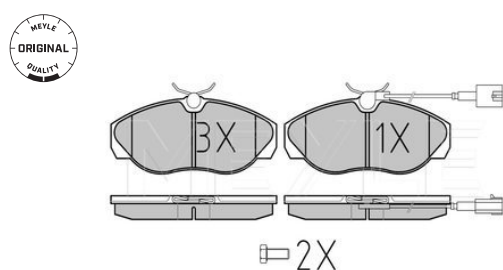
4252.26

Application info

Jumper I [02/94-08/02]

025 236 0219/W | MBP0401

Brake pad set



Notes

Thickness [mm]  
Height [mm]  
Width [mm]  
Number of wear indicators [per axle]  
Brake System

incl. wear warning contact  
19.2  
60.8  
145  
1  
TRW  
with anti-squeak plate  
Front Axle

References

16 172 790 80  
4252.26

4254.55  
E172354

Application info

Jumper I [02/94-08/02]

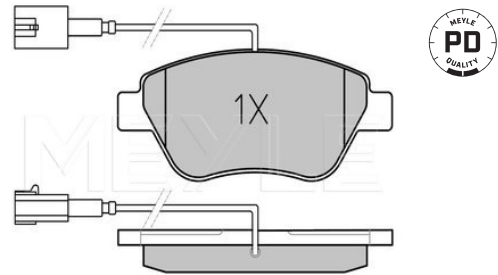


## Brake pad set

### Ø25 237 0517/PD | MBP1587PD

#### Notes

Quality	incl. wear warning contact
Thickness [mm]	PREMIUM
Height [mm]	17.7
Width [mm]	53.1
Number of wear indicators [per axle]	122.7
Warning Contact Length [mm]	1
Brake System	216
	Bosch
	with anti-squeak plate
	Front Axle



#### References

4254.07	4254.96
---------	---------

#### Application info

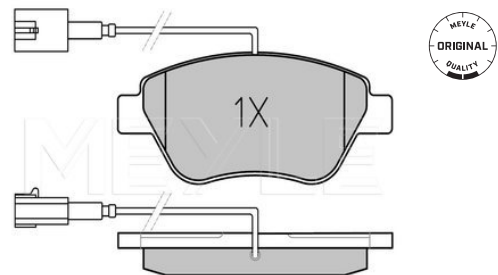
Nemo [02/08--]

## Brake pad set

### Ø25 237 0517/W | MBP0422

#### Notes

Thickness [mm]	incl. wear warning contact
Height [mm]	17.7
Width [mm]	53.1
Number of wear indicators [per axle]	122.7
Warning Contact Length [mm]	1
Brake System	216
	Bosch
	with anti-squeak plate
	Front Axle



#### References

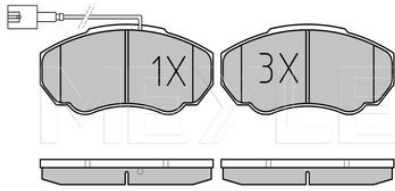
4254.07	4254.96
---------	---------

#### Application info

Nemo [02/08--]

025 239 1719/PD | MBP0807PD

Brake pad set



Notes

Quality	incl. wear warning contact
Thickness [mm]	PREMIUM
Height [mm]	19.1
Width [mm]	65.8
Number of wear indicators [per axle]	140.5
Brake System	1
	Brembo
	with anti-squeak plate
	Front Axle

References

4252.43	4254.58
---------	---------

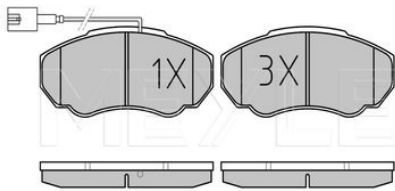
Application info

Jumper I [02/94-08/02]

Jumper II [02/02--]

025 239 1719/W | MBP0472

Brake pad set



Notes

Thickness [mm]	incl. wear warning contact
Height [mm]	19.1
Width [mm]	65.8
Number of wear indicators [per axle]	140.5
Brake System	1
	Brembo
	with anti-squeak plate
	Front Axle

References

4252.43	4254.58
---------	---------

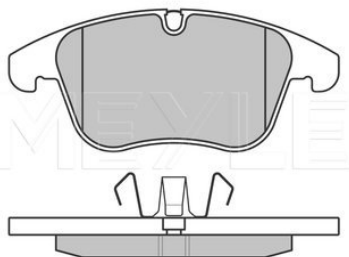
Application info

Jumper I [02/94-08/02]

Jumper II [02/02--]

025 243 3218 | MBP0572

Brake pad set



Notes

Thickness 2 [mm]	excl. wear warning contact
Thickness 1 [mm]	17.5
Height 2 [mm]	18.5
Height 1 [mm]	72
Width 2 [mm]	66.5
Width 1 [mm]	155.1
Brake System	155.1
	ATE
	with anti-squeak plate
	Front Axle

References

16 101 038 80	4254.24
4254.03	

**Brake pad set**

**025 243 3218 | MBP0572**

**Application info**

C5 III (RD\_, TD\_) (02/08--)

**Brake pad set**

**025 244 6519/PD | MBP0596PD**

**Notes**

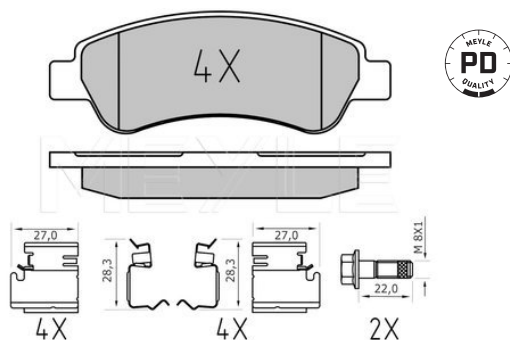
Quality  
Thickness [mm]  
Height [mm]  
Width [mm]  
Brake System

not prepared for wear indicator  
PREMIUM  
19.1  
48.9  
136.8  
Brembo  
with anti-squeak plate  
Rear Axle

**References**

4253.60

4254.69



**Application info**

Jumper III (04/06--)

**Brake pad set**

**025 245 5719 | MBP0625**

**Notes**

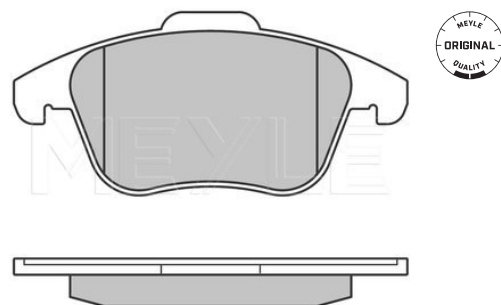
Thickness 2 [mm]  
Thickness 1 [mm]  
Height 2 [mm]  
Height 1 [mm]  
Width 2 [mm]  
Width 1 [mm]  
Brake System

excl. wear warning contact  
18.7  
19.5  
66.6  
72  
155.1  
155.1  
ATE  
with anti-squeak plate  
Front Axle

**References**

16 172 733 80  
4253.62  
4253.97

4254.77  
E172338



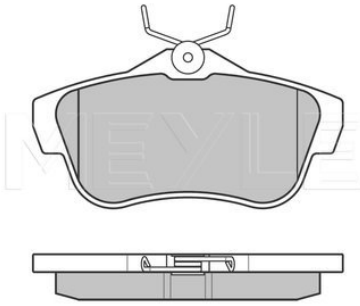
**Application info**

C4 I / Coupe / Grand Picasso / Picasso / Stufenheck (11/04--)  
DS5 (09/11-07/15)

C4 II / DS4 (02/09--)

025 245 7816 | MBP0632

Brake pad set



Notes

Thickness [mm]  
Height [mm]  
Width [mm]  
Brake System

with accessories  
prepared for wear indicator  
16.5  
58.5  
113.3  
TRW  
with anti-squeak plate  
Rear Axle

References

16 118 395 80  
16 172 809 80  
4253.67

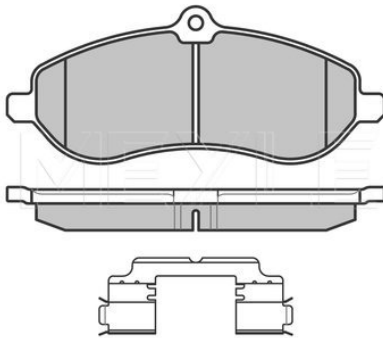
4253.68  
4254.97

Application info

Jumpy II [01/07--]

025 245 9518/W | MBP0635

Brake pad set



Notes

Thickness [mm]  
Height [mm]  
Width [mm]  
Warning Contact Length [mm]  
Number of wear indicators [per axle]  
Brake System

with accessories  
incl. wear warning contact  
18.5  
67.3  
162  
300  
1  
TRW  
with anti-squeak plate  
Front Axle

References

16 118 398 80  
16 172 795 80  
16 231 603 80  
4253.64

4253.66  
4254.A1  
4254.A2

Application info

Jumpy II [01/07--]



**Brake pad set**

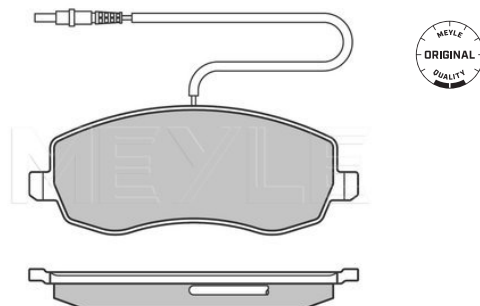
**025 248 3919/W | MBP0668**

**Notes**

Thickness [mm]	incl. wear warning contact
Height [mm]	19.4
Width [mm]	63.7
Number of wear indicators [per axle]	162.5
Brake System	2
	TRW
	with anti-squeak plate
	Front Axle

**References**

4253.95



**Application info**

C8 [06/02--]

**Brake pad set**

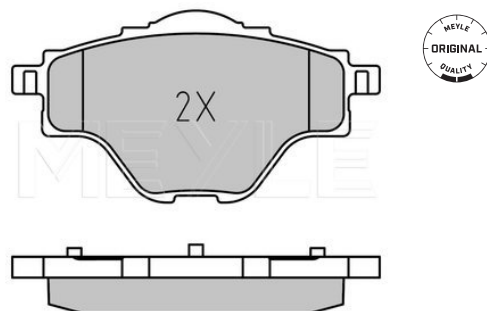
**025 258 2717 | MBP1876**

**Notes**

Thickness [mm]	excl. wear warning contact
Height 2 [mm]	17.3
Height 1 [mm]	55.3
Width [mm]	51.8
	105.9
	Rear Axle

**References**

16 090 009 80                      16 197 912 80



**Application info**

C4 II / DS4 [02/09--]  
C4 Grand Picasso II [01/13--]

C4 SPACETOURER / GRAND SPACETOURER [04/18--]  
C5 AIRCROSS [11/18--]

**Brake pad set**

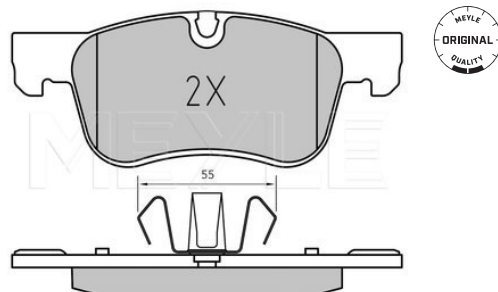
**025 258 3617 | MBP1880**

**Notes**

Thickness [mm]	prepared for wear indicator
Height [mm]	17
Width [mm]	61.8
	155.1
	Front Axle

**References**

16 098 983 80                      16 478 530 80  
16 197 910 80



025 258 3617 | MBP1880

Brake pad set

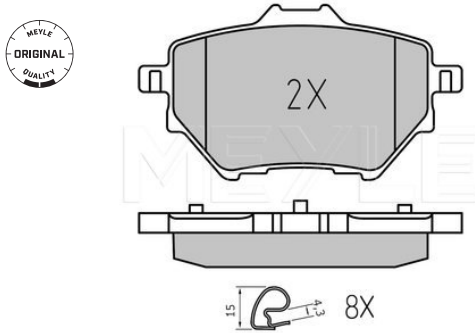
Application info

C4 II / DS4 (02/09--)  
Berlingo II (04/08--)  
C4 Grand Picasso II (01/13--)

C4 SPACETOURER / GRAND SPACETOURER (04/18--)  
Berlingo III (06/18--)

025 258 3917 | MBP1881

Brake pad set



Notes

Thickness [mm]  
Height 2 [mm]  
Height 1 [mm]  
Width [mm]

not prepared for wear indicator  
17.2  
53.5  
49.8  
99  
with anti-squeak plate  
Rear Axle

References

16 090 006 80  
16 197 908 80

16 364 139 80

Application info

C4 II / DS4 (02/09--)  
Berlingo II (04/08--)  
C4 Grand Picasso II (01/13--)

C4 SPACETOURER / GRAND SPACETOURER (04/18--)  
Berlingo III (06/18--)

014 698 0006 | MBX0010

Guide sleeve kit, brake caliper



Notes

Brake System

without guide bolts  
ATE  
Front Axle

References

4439.14

Application info

Evasion (03/94-10/02)  
Saxo (02/96-04/04)

C5 III (RD\_, TD\_) (02/08--)  
Xsara (04/97-03/10)

**Guide sleeve kit, brake caliper**
**014 698 0006/S | MBX0011**
**Notes**

Brake System

 with guide bolts  
 ATE  
 Front Axle

**References**

4439.14

**Parts list**

 014 698 0006 | MBX0010  
 100 698 0008 | MBX0156

 Guide sleeve kit, brake caliper  
 Guide bolt, brake caliper

**Application info**

 Evasion [03/94-10/02]  
 Saxo [02/96-04/04]

 C5 III [RD\_, TD\_] [02/08--]  
 Xsara [04/97-03/10]

**Brake drum**
**11-15 523 0003 | MDR0004**
**Notes**

Centering Diameter [mm]	71
Inner Brake Drum Height [mm]	50.5
Total Br. Drum Height [mm]	66
Bolt Hole Circle Ø [mm]	108
Max.skimmed drum measure [mm]	230
Brake diameter, outer [mm]	274
Brake diameter, inside [mm]	229
Required quantity	2
Number of Holes	4

 Rear Axle

**References**

4247.24

91 509 908


**Application info**

 Berlingo I [07/96-12/11]  
 ZX [03/91-07/99]  
 Xsara Picasso [09/99-06/12]

 C15 / Visa [09/78-10/06]  
 Xsara [04/97-03/10]

**3**

11-15 523 0030 | MDR0006

Brake drum



Notes

Centering Diameter [mm]	52
Inner Brake Drum Height [mm]	44.5
Total Br. Drum Height [mm]	81
Bolt Hole Circle Ø [mm]	108
Max.skimmed drum measure [mm]	181
Brake diameter, outer [mm]	212
Brake diameter, inside [mm]	180
	without ABS sensor ring
	without wheel bearing
Required quantity	2
Number of Holes	4
	Rear Axle

References

4247.32	94 782 679 80
---------	---------------

Application info

ZX [03/91-07/99]

Xsara [04/97-03/10]

11-15 523 0031 | MDR0007

Brake drum



Notes

Centering Diameter [mm]	52.3
Inner Brake Drum Height [mm]	46
Total Br. Drum Height [mm]	80
Bolt Hole Circle Ø [mm]	108
Max.skimmed drum measure [mm]	181
Brake diameter, outer [mm]	212
Brake diameter, inside [mm]	180
	without ABS sensor ring
	without wheel bearing
Required quantity	2
Number of Holes	4
	Rear Axle

References

4247.44	95 659 622
---------	------------

Application info

AX [07/86-12/98]

Saxo [02/96-04/04]



## Brake drum

### 11-15 523 0005 | MDR0005

#### Notes

Centering Diameter [mm]	55
Inner Brake Drum Height [mm]	44
Total Br. Drum Height [mm]	53.5
Bolt Hole Circle Ø [mm]	100
Max.skimmed drum measure [mm]	201
Brake diameter, outer [mm]	233
Brake diameter, inside [mm]	200
Required quantity	2
Number of Holes	4
	Rear Axle



#### References

4247.48

#### Application info

C1 [06/05-09/14]

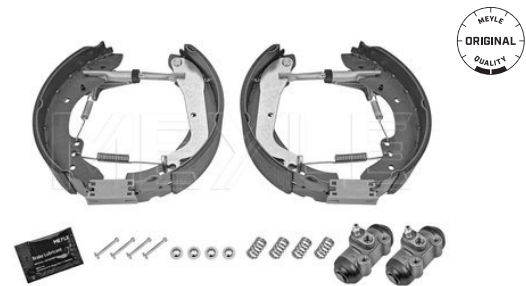
## Brake shoe kit

### 16-14 533 0043 | MBS0389

#### Notes

New part without deposit

	with accessories with lever with wheel brake cylinder Pre-assembled
Diameter [mm]	254
Width [mm]	57
	Rear Axle



#### References

4241.2S	94 044 027 08
4241.4T	95616883
4241.HB	95661851
4402.70	ZF 099 388 68

#### Parts list

214 531 0012   MWC0088	Wheel cylinder
16-14 533 0042/K   MBS0382	Brake shoe kit

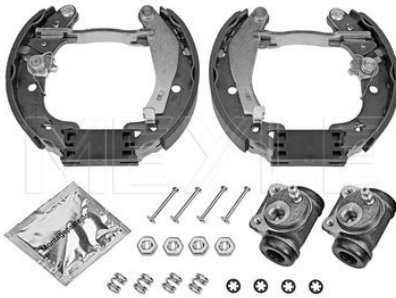
#### Application info

C25 [07/81-07/94]

3

40-14 533 0006 | MBS0343

Brake shoe kit



Notes

New part without deposit

Diameter [mm]  
Width [mm]

with wheel brake cylinder  
with lever  
with accessories  
Pre-assembled  
165  
30  
Rear Axle

References

4241.3H	4402.91
4241.6A	95 608 853
4241.6T	95 608 854
4242.25	95 619 515
4402.90	95 663 213

Parts list

11-14 531 0007   MWC0063	Wheel cylinder
11-14 531 0008   MWC0038	Wheel cylinder
40-14 533 0005/K   MBS0154	Brake shoe kit

Application info

Saxo [02/96-04/04]

214 533 0033 | MBS0340

Brake shoe kit



Notes

New part without deposit

Diameter [mm]  
Width [mm]

with lever  
with accessories  
with wheel brake cylinder  
Pre-assembled  
254  
57  
Rear Axle

References

4241.2W	4241.H4
4241.3W	4402.A3
4241.4V	4402.E4
4241.7R	

Parts list

11-14 531 0023   MWC0042	Wheel cylinder
214 533 0020/K   MBS0064	Brake shoe kit

Application info

Jumper I [02/94-08/02]

Jumper II [02/02--]



## Brake shoe kit

### 214 533 0049 | MBS0406

### Notes

New part without deposit

Diameter [mm]  
Width [mm]

with accessories  
with lever  
with wheel brake cylinder  
Pre-assembled  
254  
57  
Rear Axle

### References

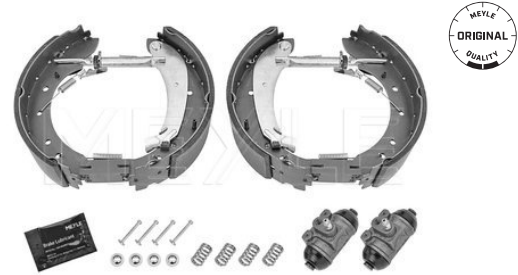
4241.2Y  
4241.3V  
4241.4X  
4241.7T

4241.H5  
4241.N4  
4402.A5

### Parts list

11-14 531 0016 | MWC0090  
214 533 0047/K | MBS0371

Wheel cylinder  
Brake shoe kit



### Application info

Jumper I [02/94-08/02]

## Brake shoe kit

### 214 533 0030 | MBS0337

### Notes

New part without deposit

Diameter [mm]  
Width [mm]

with lever  
with accessories  
with wheel brake cylinder  
Pre-assembled  
254  
57  
Rear Axle

### References

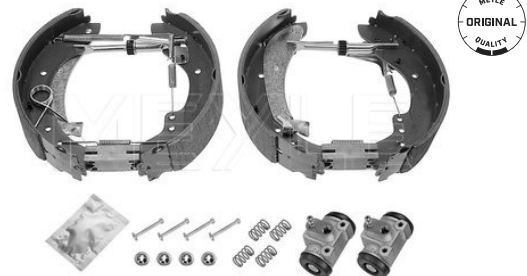
4241.2X  
4241.3S  
4241.4W

4241.7X  
4241.H4  
4402.A4

### Parts list

11-14 531 0022 | MWC0041  
214 533 0020/K | MBS0064

Wheel cylinder  
Brake shoe kit



### Application info

Jumper I [02/94-08/02]

Jumper II [02/02--]

11-14 533 0039 | MBS0322

Brake shoe kit



Notes

New part without deposit

Diameter [mm]  
Width [mm]

with lever  
with accessories  
with wheel brake cylinder  
Pre-assembled  
229  
42  
Rear Axle

References

4241.6H  
4241.8N  
4241.8P  
4241.G6  
4241.K1

4241.K2  
4241.K3  
4242.31  
4402.C7

Parts list

11-14 531 0027 | MWC0086  
11-14 533 0004/K | MBS0264

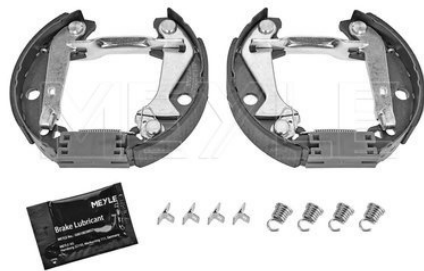
Wheel cylinder  
Brake shoe kit

Application info

Xsara [04/97-03/10]

16-14 533 0039/K | MBS0380

Brake shoe kit



Notes

New part without deposit

Diameter [mm]  
Width [mm]

with accessories  
with lever  
without wheel brake cylinder  
Pre-assembled  
180  
32  
Rear Axle

References

4241.99  
75521559

9404241998

Application info

C15 / Visa [09/78-10/06]



**Brake shoe kit**

**11-14 533 0027 | MBS0313**

**Notes**

New part without deposit

Diameter [mm]  
Width [mm]  
Brake System

with wheel brake cylinder  
with lever  
with accessories  
Pre-assembled  
203  
38  
Lucas Girling  
Rear Axle

**References**

4241.4L  
4241.4Z  
4241.7E  
4241.9A

4241.J5  
4402.A8  
4402.C3



**Application info**

Saxo [02/96-04/04]  
ZX [03/91-07/99]

Xsara [04/97-03/10]

**Brake shoe kit**

**11-14 533 0002/K | MBS0375**

**Notes**

New part without deposit

Diameter [mm]  
Width [mm]  
Brake System

without wheel brake cylinder  
with accessories  
with lever  
Pre-assembled  
180  
32  
Lucas Girling  
Rear Axle

**References**

4241.24  
4241.E5

95 659 676



**Application info**

ZX [03/91-07/99]

Xsara [04/97-03/10]

**Brake shoe kit**

**11-14 533 0017 | MBS0012**

**Notes**

New part without deposit

Diameter [mm]  
Width [mm]  
Brake System

without spring  
with accessories  
164  
32  
Bendix  
Rear Axle

**References**

4241.E7  
95 619 515

95 653 213  
95 655 344



11-14 533 0017 | MBS0012

Brake shoe kit

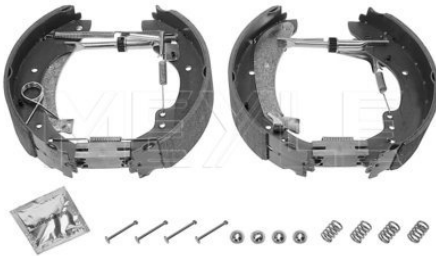
Application info

AX [07/86-12/98]

Saxo [02/96-04/04]

214 533 0020/K | MBS0064

Brake shoe kit



Notes

New part without deposit

without wheel brake cylinder  
with accessories  
with lever  
Pre-assembled  
254  
57  
Lucas Girling  
Rear Axle

Diameter [mm]  
Width [mm]  
Brake System

References

4241.H4

Application info

Jumper I [02/94-08/02]

Jumper II [02/02--]

214 533 0021 | MBS0065

Brake shoe kit



Notes

New part without deposit

without spring  
with lever  
254  
57  
Lucas Girling  
Rear Axle

Diameter [mm]  
Width [mm]  
Brake System

References

4241.H4

Application info

Jumper I [02/94-08/02]

Jumper II [02/02--]

### Brake shoe kit

214 533 0020 | MBS0063

#### Notes

New part without deposit

Diameter [mm]  
Width [mm]  
Brake System

without spring  
with lever  
254  
57  
Lucas Girling  
Rear Axle

#### References

4241.H5

4241.N4



#### Application info

Jumper I [02/94-08/02]

Jumpy II [01/07--]

### Brake shoe kit

214 533 0047/K | MBS0371

#### Notes

New part without deposit

Diameter [mm]  
Width [mm]  
Brake System

without wheel brake cylinder  
with accessories  
with lever  
Pre-assembled  
254  
57  
Lucas Girling  
Rear Axle

#### References

4241.H5

4241.N4



#### Application info

Jumper I [02/94-08/02]

Jumpy II [01/07--]

### Brake shoe kit

214 533 0017/K | MBS0061

#### Notes

New part without deposit

Diameter [mm]  
Width [mm]

with accessories  
with lever  
without wheel brake cylinder  
Pre-assembled  
256  
61  
Rear Axle

#### References

4241.H7

4241.K6



#### Application info

Evasion [03/94-10/06]

Jumpy I [06/94-12/06]

40-14 533 0002 | MBS0151

Brake shoe kit



Notes

New part without deposit

Diameter [mm]  
Width [mm]  
Brake System

without spring  
with lever  
255  
61  
Bendix/Bosch  
Rear Axle

References

4241.H7

4241.K6

Application info

Evasion [03/94-10/02]

Jumpy I [06/94-12/06]

16-14 533 0042/K | MBS0382

Brake shoe kit



Notes

New part without deposit

Diameter [mm]  
Width [mm]

with accessories  
with lever  
without wheel brake cylinder  
Pre-assembled  
254  
57  
Rear Axle

References

4241.H8

95661851

Application info

C25 [07/81-07/94]

36-14 533 0017 | MBS0134

Brake shoe kit



Notes

New part without deposit

Diameter [mm]  
Width [mm]

without spring  
with lever  
254  
57  
Rear Axle

References

4241.H9

95643714

Application info

C25 [07/81-07/94]

**Brake shoe kit**

**36-14 533 0017/K | MBS0364**

**Notes**

New part without deposit

Diameter [mm]  
Width [mm]

with accessories  
with lever  
without wheel brake cylinder  
Pre-assembled  
254  
57  
Rear Axle

**References**

4241.H9

95643714



**Application info**

C25 [07/81-07/94]

**Brake shoe kit**

**16-14 533 0000 | MBS0030**

**Notes**

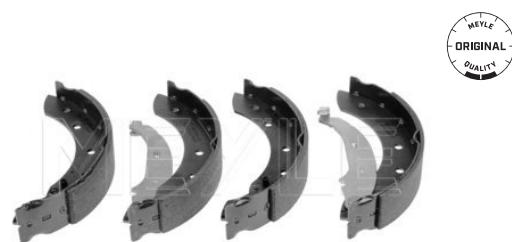
New part without deposit

Diameter [mm]  
Width [mm]  
Brake System

without spring  
with lever  
203  
39  
Lucas Girling  
Rear Axle

**References**

4241.J5



**Application info**

Saxo [02/96-04/04]  
ZX [03/91-07/99]

Xsara [04/97-03/10]

**Brake shoe kit**

**40-14 533 0004/K | MBS0153**

**Notes**

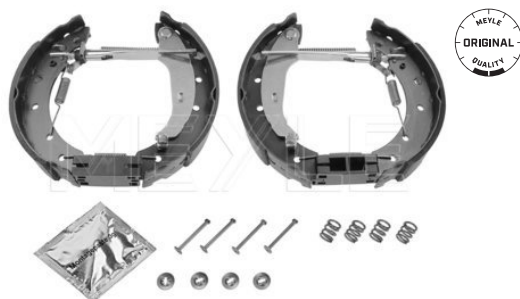
New part without deposit

Diameter [mm]  
Width [mm]  
Brake System

with lever  
with accessories  
without wheel brake cylinder  
Pre-assembled  
203  
38  
Lucas Girling  
Rear Axle

**References**

4241.J5



3

+

40-14 533 0004/K | MBS0153

Brake shoe kit

Application info

Saxo [02/96-04/04]  
ZX [03/91-07/99]

Xsara [04/97-03/10]

11-14 533 0000 | MBS0006

Brake shoe kit



Notes

New part without deposit

Diameter [mm]  
Width [mm]  
Brake System

without spring  
with accessories  
180  
32  
Bendix  
Rear Axle

References

4241.E8  
4241.J6

4241.L3  
95 659 671

Application info

AX [07/86-12/98]

Saxo [02/96-04/04]

11-14 533 0000/K | MBS0262

Brake shoe kit



Notes

New part without deposit

Diameter [mm]  
Width [mm]  
Brake System

with lever  
with accessories  
without wheel brake cylinder  
Pre-assembled  
180  
32  
Bendix  
Rear Axle

References

4241.E8  
4241.J6

4241.L3  
95 659 671

Application info

AX [07/86-12/98]

Saxo [02/96-04/04]

### Brake shoe kit

11-14 533 0026 | MBS0312

#### Notes

New part without deposit

Diameter [mm]  
Width [mm]  
Brake System

with wheel brake cylinder  
with lever  
with accessories  
Pre-assembled  
for vehicles without ABS  
180  
32  
Bendix  
Rear Axle



#### References

4241.5F	4402.93
4241.6C	4402.94
4241.E8	95 659 671
4241.J6	95 659 673
4241.L3	95 659 674
4242.29	

#### Parts list

11-14 531 0005   MWC0036	Wheel cylinder
11-14 531 0006   MWC0037	Wheel cylinder
11-14 533 0000/K   MBS0262	Brake shoe kit

#### Application info

AX [07/86-12/98]

Saxo [02/96-04/04]

### Brake shoe kit

11-14 533 0004 | MBS0010

#### Notes

New part without deposit

Diameter [mm]  
Width [mm]  
Brake System

without spring  
with lever  
229  
42  
Bendix  
Rear Axle



#### References

4241.G6	4241.K2
4241.K1	4241.K3

#### Application info

ZX [03/91-07/99]

Xsara [04/97-03/10]

11-14 533 0004/K | MBS0264

Brake shoe kit



Notes

New part without deposit

Diameter [mm]  
Width [mm]  
Brake System

without wheel brake cylinder  
with spring  
with lever  
Pre-assembled  
229  
42  
Bendix  
Rear Axle

References

4241.G6  
4241.K1

4241.K2  
4241.K3

Application info

ZX [03/91-07/99]

Xsara [04/97-03/10]

11-14 533 0033 | MBS0319

Brake shoe kit



Notes

New part without deposit

Diameter [mm]  
Width [mm]

with lever  
with accessories  
with wheel brake cylinder  
Pre-assembled  
229  
42  
Rear Axle

References

4241.5J  
4241.6E  
4241.6G  
4241.8P  
4241.G6

4241.K1  
4241.K2  
4241.K3  
4242.30  
4402.A2

Parts list

11-14 531 0026 | MWC0083  
11-14 533 0004/K | MBS0264

Wheel cylinder  
Brake shoe kit

Application info

ZX [03/91-07/99]

Xsara [04/97-03/10]



### Brake shoe kit

11-14 533 0019 | MBS0014

#### Notes

New part without deposit

Diameter [mm]  
Width [mm]  
Brake System

without spring  
with lever  
203  
38  
TRW Lucas  
Rear Axle

#### References

4241.L0



#### Application info

C2 / C3 I / Pluriel (02/02--)

### Brake shoe kit

11-14 533 0023/K | MBS0019

#### Notes

New part without deposit

Diameter [mm]  
Width [mm]  
Brake System

without wheel brake cylinder  
with accessories  
with lever  
Pre-assembled  
203  
38  
TRW Lucas  
Rear Axle

#### References

4241.L0



#### Application info

C2 / C3 I / Pluriel (02/02--)

### Brake shoe kit

11-14 533 0028 | MBS0314

#### Notes

New part without deposit

Diameter [mm]  
Width [mm]  
Brake System

with wheel brake cylinder  
with lever  
with accessories  
Pre-assembled  
203  
38  
TRW Lucas  
Rear Axle

#### References

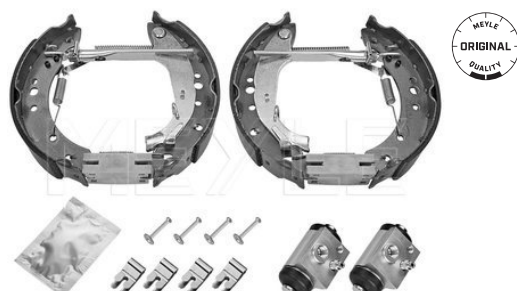
4241.L0  
4242.02  
4242.33

4402.C8  
4402.E3  
4402.E5

#### Parts list

11-14 531 0020 | MWC0097  
11-14 533 0023/K | MBS0019

Wheel cylinder  
Brake shoe kit



11-14 533 0028 | MBS0314

Brake shoe kit

Application info

C2 / C3 I / Pluriel [02/02--]

40-14 533 0001 | MBS0150

Brake shoe kit



Notes

New part without deposit

Diameter [mm]  
Width [mm]  
Brake System

without spring  
with lever  
254  
57  
Lockheed  
Rear Axle

References

4241.L2

Application info

Jumper I [02/94-08/02]

Jumper II [02/02--]

40-14 533 0007 | MBS0344

Brake shoe kit



Notes

New part without deposit

Diameter [mm]  
Width [mm]  
Brake System

with wheel brake cylinder  
with lever  
with accessories  
Pre-assembled  
254  
57  
Lockheed  
Rear Axle

References

4241.L2  
4402.A3

4402.E4

Parts list

11-14 531 0023 | MWC0042  
40-14 533 0019/K | MBS0155

Wheel cylinder  
Brake shoe kit

Application info

Jumper I [02/94-08/02]

Jumper II [02/02--]

### Brake shoe kit

40-14 533 0019/K | MBS0155

#### Notes

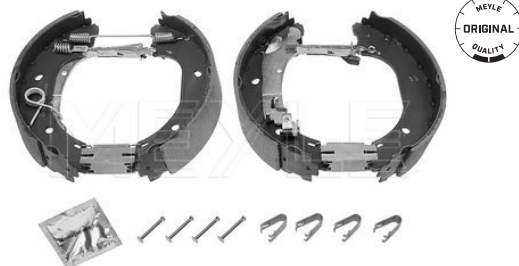
New part without deposit

Diameter [mm]  
Width [mm]  
Brake System

without wheel brake cylinder  
with accessories  
with lever  
Pre-assembled  
254  
57  
Lockheed  
Rear Axle

#### References

4241.L2



#### Application info

Jumper I [02/94-08/02]

Jumper II [02/02--]

### Brake shoe kit

11-14 533 0003 | MBS0008

#### Notes

New part without deposit

Diameter [mm]  
Width [mm]  
Brake System

without spring  
180  
32  
Bendix  
Rear Axle

#### References

4241.G3  
4241.L4

95 659 470



#### Application info

ZX [03/91-07/99]

Xsara [04/97-03/10]

### Brake shoe kit

11-14 533 0003/K | MBS0263

#### Notes

New part without deposit

Diameter [mm]  
Width [mm]  
Brake System

without wheel brake cylinder  
with lever  
with spring  
Pre-assembled  
180  
32  
Bendix  
Rear Axle

#### References

4241.G3  
4241.L4

95 659 470



11-14 533 0003/K | MBS0263

Brake shoe kit

Application info

ZX [03/91-07/99]

Xsara [04/97-03/10]

11-14 533 0003/S | MBS0009

Brake shoe kit



Notes

New part without deposit

Diameter [mm]  
Width [mm]  
Brake System

without spring  
with lever  
180  
32  
Bendix  
Rear Axle

References

4241.G3  
4241.L4

95 659 470

Parts list

11-14 533 0003 | MBS0008

Brake shoe kit

Application info

ZX [03/91-07/99]

Xsara [04/97-03/10]

11-14 533 0032 | MBS0318

Brake shoe kit



Notes

New part without deposit

Diameter [mm]  
Width [mm]

with lever  
with accessories  
with wheel brake cylinder  
Pre-assembled  
180  
32  
Rear Axle

References

4241.3L  
4241.5Y  
4241.6F  
4241.8R  
4241.G3  
4241.L4  
4242.05

4242.06  
4402.97  
4402.98  
95 659 470  
95 668 067  
95 668 068

Parts list

16-14 531 0009 | MWC0048  
16-14 531 0010 | MWC0049  
11-14 533 0003/K | MBS0263

Wheel cylinder  
Wheel cylinder  
Brake shoe kit

Application info

ZX [03/91-07/99]

Xsara [04/97-03/10]

**Brake shoe kit**

11-14 533 0001 | MBS0007

**Notes**

New part without deposit

Diameter [mm]  
Width [mm]  
Brake System

without spring  
with lever  
229  
42  
Lucas Girling  
Rear Axle

**References**

4241.J8  
4241.K8

4241.L6



**Application info**

Berlingo I [07/96-12/11]  
Xsara Picasso [09/99-06/12]

Berlingo II [04/08--]

**Brake shoe kit**

11-14 533 0021/K | MBS0017

**Notes**

New part without deposit

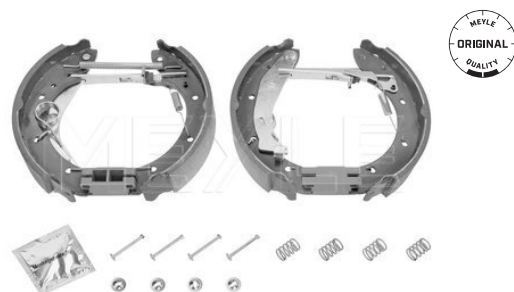
Diameter [mm]  
Width [mm]  
Brake System

without wheel brake cylinder  
with accessories  
with lever  
Pre-assembled  
229  
42  
Lucas Girling  
Rear Axle

**References**

4241.J8  
4241.K8

4241.L6



**Application info**

Berlingo I [07/96-12/11]  
Xsara Picasso [09/99-06/12]

Berlingo II [04/08--]

3

11-14 533 0024 | MBS0308

Brake shoe kit



Notes

New part without deposit

Diameter [mm]  
Width [mm]  
Brake System

with lever  
with accessories  
with wheel brake cylinder  
Pre-assembled  
229  
42  
Lucas Girling  
Rear Axle

References

4241.J8  
4241.K8  
4241.L6  
4242.22

4402.C6  
4402.E7  
4402.E8

Parts list

11-14 531 0021 | MWC0059  
11-14 533 0021/K | MBS0017

Wheel cylinder  
Brake shoe kit

Application info

Berlingo I [07/96-12/11]  
Xsara Picasso [09/99-06/12]

Berlingo II [04/08--]

214 533 0008 | MBS0053

Brake shoe kit



Notes

New part without deposit

Diameter [mm]  
Width [mm]  
Brake System

without spring  
with lever  
203  
39  
Bosch  
Rear Axle

References

4241.L7

Application info

C2 / C3 I / Pluriel [02/02--]

**Brake shoe kit**

**214 533 0008/K | MBS0275**

**Notes**

New part without deposit

Diameter [mm]  
Width [mm]  
Brake System

without wheel brake cylinder  
with lever  
with spring  
Pre-assembled  
203  
39  
Bosch  
Rear Axle

**References**

4241.L7



**Application info**

C2 / C3 I / Pluriel (02/02--)

**Brake shoe kit**

**214 533 0027 | MBS0334**

**Notes**

New part without deposit

Diameter [mm]  
Width [mm]  
Brake System

with wheel brake cylinder  
with lever  
with spring  
Pre-assembled  
203  
39  
Bosch  
Rear Axle

**References**

4241.L7  
4242.10  
4242.11

4242.27  
4402.E6

**Parts list**

11-14 531 0025 | MWC0075  
214 533 0008/K | MBS0275

Wheel cylinder  
Brake shoe kit



**Application info**

C2 / C3 I / Pluriel (02/02--)

**Brake shoe kit**

**11-14 533 0018 | MBS0013**

**Notes**

New part without deposit

Diameter [mm]  
Width [mm]  
Brake System

without spring  
with lever  
200  
32  
Bosch  
Rear Axle

**References**

4241.N2



11-14 533 0018 | MBS0013

Brake shoe kit

Application info

C1 [06/05-09/14]

C1 II [04/14--]

11-14 533 0018/K | MBS0266

Brake shoe kit



Notes

New part without deposit

Diameter [mm]  
Width [mm]  
Brake System

without wheel brake cylinder  
with spring  
with lever  
Pre-assembled  
200  
32  
Bosch  
Rear Axle

References

4241.N2

Application info

C1 [06/05-09/14]

C1 II [04/14--]

11-14 533 0036 | MBS0296

Brake shoe kit



Notes

New part without deposit

Diameter [mm]  
Width [mm]

with lever  
with accessories  
with wheel brake cylinder  
Pre-assembled  
200  
32  
Rear Axle

References

4241.N2  
4242.16  
4242.17

4242.28  
4402.F0

Parts list

11-14 531 0001 | MWC0014  
11-14 533 0018/K | MBS0266

Wheel cylinder  
Brake shoe kit

Application info

C1 [06/05-09/14]



**Brake shoe kit**

**11-14 533 0021 | MBS0016**

**Notes**

New part without deposit

Diameter [mm]  
Width [mm]

without spring  
with lever  
228  
42  
Rear Axle

**References**

4241.N3



**Application info**

C3 II (09/09--)

DS3 (11/09-12/16)

**Brake shoe kit**

**11-14 533 0041/K | MBS0367**

**Notes**

New part without deposit

Diameter [mm]  
Width [mm]

without wheel brake cylinder  
with accessories  
with lever  
Pre-assembled  
228  
42  
Rear Axle

**References**

4241.N3



**Application info**

C3 II (09/09--)

DS3 (11/09-12/16)

**Brake shoe kit**

**40-14 533 0003 | MBS0152**

**Notes**

New part without deposit

Diameter [mm]  
Width [mm]

without spring  
with lever  
228.6  
42  
Rear Axle

**References**

4241.NB

4241.P4



**Application info**

Nemo (02/08--)

3

214 533 0010 | MBS0055

Brake shoe kit



Notes

New part without deposit

Diameter [mm]  
Width [mm]  
Brake System

without spring  
with lever  
203.2  
38  
Lockheed  
Rear Axle

References

4241.P0

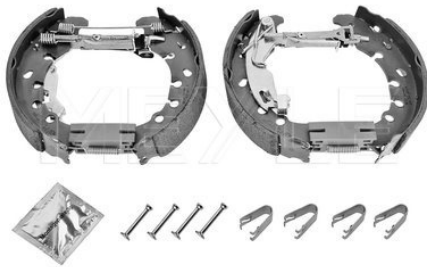
4241.P3

Application info

Nemo [02/08--]

214 533 0010/K | MBS0276

Brake shoe kit



Notes

New part without deposit

Diameter [mm]  
Width [mm]  
Brake System

without wheel brake cylinder  
with lever  
with spring  
Pre-assembled  
203.2  
38  
Lockheed  
Rear Axle

References

4241.P0

4241.P3

Application info

Nemo [02/08--]

214 533 0037 | MBS0403

Brake shoe kit



Notes

New part without deposit

Diameter [mm]  
Width [mm]

with accessories  
with lever  
with wheel brake cylinder  
Pre-assembled  
203.2  
38  
Rear Axle

References

4241.P0

4241.P3

4402.F3

Parts list

214 531 0010 | MWC0087  
214 533 0010/K | MBS0276

Wheel cylinder  
Brake shoe kit

**Brake shoe kit**

214 533 0037 | MBS0403

**Application info**

Nemo (02/08--)

**Brake shoe kit**

16-14 533 0012 | MBS0039

**Notes**

New part without deposit

without spring  
with lever

Diameter [mm] 203  
Width [mm] 38  
Brake System Bosch  
Rear Axle



**References**

16 066 311 80 4241.P1

**Application info**

C3 II (09/09--)  
C Elyse (11/12--)

DS3 (11/09-12/16)

**Brake shoe kit**

16-14 533 0012/K | MBS0271

**Notes**

New part without deposit

without wheel brake cylinder  
with lever  
with spring  
Pre-assembled

Diameter [mm] 203  
Width [mm] 38  
Brake System Bosch  
Rear Axle



**References**

16 066 311 80 4241.P1

**Application info**

C3 II (09/09--)  
C Elyse (11/12--)

DS3 (11/09-12/16)

214 533 0048 | MBS0399

Brake shoe kit



Notes

New part without deposit

Diameter [mm]  
Width [mm]

with accessories  
with lever  
with wheel brake cylinder  
Pre-assembled  
254  
57  
Rear Axle

References

4241.H5  
4241.N4

4242.21  
4402.F2

Parts list

11-14 531 0015 | MWC0074  
214 533 0047/K | MBS0371

Wheel cylinder  
Brake shoe kit

Application info

Jumpy II [01/07--]

214 533 0026 | MBS0333

Brake shoe kit



Notes

New part without deposit

Diameter [mm]  
Width [mm]

with wheel brake cylinder  
with lever  
with accessories  
Pre-assembled  
256  
61  
Rear Axle

References

4241.6J  
4241.H7  
4241.K6

4242.32  
4402.A7

Parts list

214 531 0009 | MWC0099  
214 533 0017/K | MBS0061

Wheel cylinder  
Brake shoe kit

Application info

Evasion [03/94-10/02]

Jumpy I [06/94-12/06]



## Brake shoe kit

### 11-14 533 0040 | MBS0400

#### Notes

New part without deposit

Diameter [mm]  
Width [mm]

with accessories  
with lever  
with wheel brake cylinder  
Pre-assembled  
228  
42  
Rear Axle

#### References

4241.N3  
4242.20

4242.44  
4402.F1

#### Parts list

11-14 531 0013 | MWC0089  
11-14 533 0041/K | MBS0367

Wheel cylinder  
Brake shoe kit



#### Application info

C3 II [09/09--]

DS3 [11/09-12/16]

## Brake shoe kit

### 40-14 533 0005/K | MBS0154

#### Notes

New part without deposit

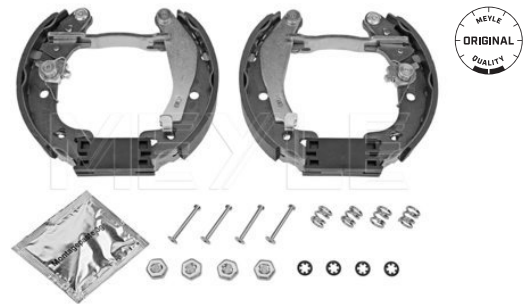
Diameter [mm]  
Width [mm]

with lever  
with accessories  
without wheel brake cylinder  
Pre-assembled  
165  
30  
Rear Axle

#### References

95 619 515

95 663 213



#### Application info

AX [07/86-12/98]

Saxo [02/96-04/04]

## Brake shoe kit

### 16-14 533 0048/K | MBS0369

#### Notes

New part without deposit

Diameter [mm]  
Width [mm]

with accessories  
with lever  
without wheel brake cylinder  
Pre-assembled  
203  
39  
Rear Axle

#### References

95 659 661



16-14 533 0048/K | MBS0369

Brake shoe kit

Application info

AX [07/86-12/98]

16-14 533 0020 | MBS0326

Brake shoe kit



Notes

New part without deposit

Diameter [mm]  
Width [mm]  
Brake System

with wheel brake cylinder  
with lever  
with spring  
Pre-assembled  
203  
38  
Bosch  
Rear Axle

Parts list

16-14 531 0004 | MWC0073  
16-14 533 0012/K | MBS0271

Wheel cylinder  
Brake shoe kit

Application info

C2 / C3 I / Pluriel [02/02--]

32-14 533 0002 | MBS0102

Brake shoe kit



Notes

New part without deposit

Diameter [mm]  
Width [mm]

without spring  
190  
32  
Rear Axle

Application info

C-Crosser [02/07--]

214 533 0017 | MPB0024

Brake shoe set, parking brake



Notes

New part without deposit

Diameter [mm]  
Width [mm]

without spring  
172  
42  
Rear Axle

References

4241.N5

**Brake shoe set, parking brake**

214 533 0017 | MPB0024

**Application info**

Jumper II (02/02--)

Jumper III (04/06--)

**Brake hose**

11-14 525 0001 | MBH0169

**Notes**

Internal Thread [mm]	M10x1
External Thread [mm]	M10x1
Length [mm]	330
Required quantity	2
	Front Axle

**References**

4806.55



**Application info**

Saxo (02/96-04/04)

**Brake hose**

11-14 525 0002 | MBH0170

**Notes**

Internal Thread [mm]	M10x1
External Thread [mm]	M10x1
Length [mm]	290
Required quantity	2
	Front Axle

**References**

4806.56

96 080 322



**Application info**

AX (07/86-12/98)

Saxo (02/96-04/04)

**Brake hose**

11-14 525 0016 | MBH0180

**Notes**

Internal Thread 2 [mm]	M10x1
Internal Thread 1 [mm]	M10x1
Length [mm]	245

**References**

4806.64



11-14 525 0016 | MBH0180

Brake hose

Application info

ZX [03/91-07/99]

Xsara [04/97-03/10]

11-14 525 0017 | MBH0181

Brake hose



Notes

Internal Thread 2 [mm]  
Internal Thread 1 [mm]  
Length [mm]

M10x1  
M10x1  
195

References

4806.65

96 124 223

Application info

AX [07/86-12/98]  
ZX [03/91-07/99]

Xsara [04/97-03/10]

11-14 525 0024 | MBH0188

Brake hose



Notes

Internal Thread 2 [mm]  
Internal Thread 1 [mm]  
Length [mm]

M10x1  
M10x1  
250

References

4806.67

Application info

Evasion [03/94-10/02]  
Jumpy I [06/94-12/06]

C8 [06/02--]  
Jumpy II [01/07--]

11-14 525 0025 | MBH0189

Brake hose



Notes

Internal Thread [mm]  
External Thread [mm]  
Length [mm]  
Required quantity

without holder  
M10x1  
M10x1  
485  
2  
Front Axle

References

4806.70  
4806.C3

4806.F3



**Brake hose**

11-14 525 0025 | MBH0189

**Application info**

Jumper I (02/94-08/02)

Jumper II (02/02--)

**Brake hose**

11-14 525 0026 | MBH0190

**Notes**

Internal Thread [mm]  
External Thread [mm]  
Length [mm]  
Required quantity

with holder  
M10x1  
M10x1  
465  
2  
Front Axle

**References**

4806.71



**Application info**

Jumper I (02/94-08/02)

**Brake hose**

11-14 525 0033 | MBH0195

**Notes**

Internal Thread [mm]  
External Thread [mm]  
Length [mm]  
Required quantity

M10x1  
M10x1  
340  
2  
Rear Axle

**References**

4806.72



**Application info**

Jumper I (02/94-08/02)

**Brake hose**

11-14 525 0027 | MBH0191

**Notes**

Internal Thread [mm]  
External Thread [mm]  
Length [mm]  
Required quantity

M10x1  
M10x1  
465  
2  
Front Axle

**References**

4806.82



11-14 525 0027 | MBH0191

Brake hose

Application info

Evasion [03/94-10/02]  
Jumpy I [06/94-12/06]

Jumpy II [01/07--]

11-14 525 0037 | MBH0198

Brake hose



Notes

Internal Thread [mm]	M10x1
External Thread [mm]	M10x1
Length [mm]	460
Required quantity	2
	Front Axle

References

4806.84	4806.A9
4806.91	4806.E0
4806.A8	

Application info

Berlingo I [07/96-12/11]  
ZX [03/91-07/99]  
Xsara Picasso [09/99-06/12]

C2 / C3 I / Pluriel [02/02--]  
Xsara [04/97-03/10]

16-14 525 0002 | MBH0231

Brake hose



Notes

Internal Thread 2 [mm]	M10x1
Internal Thread 1 [mm]	M10x1
Length [mm]	255
Required quantity	2
	Rear Axle

References

4806 86

Application info

Berlingo I [07/96-12/11]

Xsara Picasso [09/99-06/12]

**Brake hose**
**11-14 525 0028 | MBH0192**
**Notes**

 Internal Thread [mm]  
 External Thread [mm]  
 Length [mm]  
 Required quantity

 with holder  
 M10x1  
 M10x1  
 460  
 2  
 Front Axle

**References**

4806.96


**Application info**

Jumper I [02/94-08/02]

**Brake hose**
**11-14 525 0038 | MBH0199**
**Notes**

 Internal Thread [mm]  
 External Thread [mm]  
 Length [mm]  
 Required quantity

 M10x1  
 M10x1  
 550  
 2  
 Front Axle

**References**

4806.97


**Application info**

C5 I / C5 II [03/01--]

**Brake hose**
**11-14 525 0039 | MBH0200**
**Notes**

 Internal Thread 2 [mm]  
 Internal Thread 1 [mm]  
 Length [mm]  
 Required quantity

 M10x1  
 M10x1  
 235  
 2  
 Rear Axle

**References**

4806.98


**Application info**

C5 I / C5 II [03/01--]

11-14 525 0020 | MBH0184

Brake hose



Notes

Internal Thread [mm]	M10x1
External Thread [mm]	M10x1
Length [mm]	420
Required quantity	2
	Front Axle

References

4806.A0

Application info

C4 I / Coupe / Grand Picasso / Picasso / Stufenheck (11/04--)

11-14 525 0006 | MBH0171

Brake hose



Notes

Internal Thread 2 [mm]	M10x1
Internal Thread 1 [mm]	M10x1
Length [mm]	190
Required quantity	2
	Rear Axle

References

4806.A1

Application info

C4 I / Coupe / Grand Picasso / Picasso / Stufenheck (11/04--)

C2 / C3 I / Pluriel (02/02--)

11-14 525 0029 | MBH0193

Brake hose



Notes

Internal Thread [mm]	M10x1
External Thread [mm]	M10x1
Length [mm]	460
Required quantity	2
	Front Axle

References

4806.A6

Application info

Jumpy I (06/94-12/06)

C8 (06/02--)

**Brake hose**
**11-14 525 0007 | MBH0172**
**Notes**

Internal Thread 2 [mm]	M10x1
Internal Thread 1 [mm]	M10x1
Length [mm]	185
Required quantity	2
	Rear Axle

**References**

4806.C0


**Application info**

C2 / C3 I / Pluriel [02/02--]

**Brake hose**
**11-14 525 0008 | MBH0173**
**Notes**

Internal Thread [mm]	M10x1
Connector type	Banjo fitting
Length [mm]	510
Required quantity	1
	Front Axle Right

**References**

4806.E1

**Counterpart**

11-14 525 0009 | MBH0174


**Application info**

C1 [06/05-09/14]

**Brake hose**
**11-14 525 0009 | MBH0174**
**Notes**

Internal Thread [mm]	M10x1
Connector type	Banjo fitting
Length [mm]	510
Required quantity	1
	Front Axle Left

**References**

4806.E2

**Counterpart**

11-14 525 0008 | MBH0173


**Application info**

C1 [06/05-09/14]

11-14 525 0036 | MBH0197

Brake hose



Notes

Internal Thread 2 [mm]  
Internal Thread 1 [mm]  
Length [mm]  
Required quantity

M10x1  
M10x1  
260  
2  
Rear Axle

References

4806.E3

Application info

Berlingo I (07/96-12/11)

Xsara Picasso (09/99-06/12)

11-14 525 0054 | MBH0211

Brake hose



Notes

Internal Thread [mm]  
External Thread [mm]  
Length [mm]  
Required quantity

M10x1  
M10x1  
690  
1  
Left  
Rear Axle

References

4806.E7

4806.K2

Counterpart

11-14 525 0053 | MBH0210

Application info

C5 III (RD\_, TD\_) (02/08--)

11-14 525 0053 | MBH0210

Brake hose



Notes

Internal Thread [mm]  
External Thread [mm]  
Length [mm]  
Required quantity

M10x1  
M10x1  
660  
1  
Right  
Rear Axle

References

4806.E8

4806.K3

Counterpart

11-14 525 0054 | MBH0211

Application info

C5 III (RD\_, TD\_) (02/08--)



### Brake hose

11-14 525 0010 | MBH0175

#### Notes

Internal Thread [mm]	M10x1
External Thread [mm]	M10x1
Length [mm]	440
Required quantity	2
	Front Axle

#### References

4806.85	96 132 698
4806.E9	



#### Application info

Berlingo I [07/96-12/11]  
ZX [03/91-07/99]  
Xsara Picasso [09/99-06/12]

C2 / C3 I / Pluriel [02/02--]  
Xsara [04/97-03/10]

### Brake hose

11-14 525 0030 | MBH0194

#### Notes

	without holder
Internal Thread [mm]	M10x1
External Thread [mm]	M10x1
Length [mm]	470
Required quantity	2
	Front Axle

#### References

4806.C2	4806.F2
---------	---------



#### Application info

Jumper I [02/94-08/02]

Jumper II [02/02--]

### Brake hose

11-14 525 0011 | MBH0176

#### Notes

Internal Thread 2 [mm]	M10x1
Internal Thread 1 [mm]	M10x1
Length [mm]	255
Required quantity	2
	Rear Axle

#### References

4806.F6	4806 J5
---------	---------



#### Application info

C1 [06/05-09/14]

11-14 525 0055 | MBH0212

Brake hose



Notes

Internal Thread [mm]  
Connector type  
Length [mm]  
Required quantity

M10x1  
Banjo fitting  
780  
1  
Left  
Front Axle

References

4806.F9

Counterpart

11-14 525 0056 | MBH0213

Application info

C6 [09/05-12/12]

11-14 525 0056 | MBH0213

Brake hose



Notes

Internal Thread [mm]  
Connector type  
Length [mm]  
Required quantity

M10x1  
Banjo fitting  
780  
1  
Right  
Front Axle

References

4806.G0

Counterpart

11-14 525 0055 | MBH0212

Application info

C6 [09/05-12/12]

11-14 525 0049 | MBH0207

Brake hose



Notes

Internal Thread [mm]  
External Thread [mm]  
Length [mm]  
Required quantity

M10x1  
M10x1  
450  
2  
Front Axle

References

4806.G4

Application info

C4 I / Coupe / Grand Picasso / Picasso / Stufenheck [11/04--]

Berlingo II [04/08--]





### Brake hose

11-14 525 0050 | MBH0208

#### Notes

Internal Thread [mm]	M10x1
External Thread [mm]	M10x1
Length [mm]	237
Required quantity	2
	Rear Axle

#### References

4806.G5



#### Application info

C4 I / Coupe / Grand Picasso / Picasso / Stufenheck (11/04--)

Berlingo II (04/08--)

### Brake hose

214 525 0041 | MBH0290

#### Notes

Internal Thread [mm]	M10x1,5
External Thread [mm]	M10x1,5
Length [mm]	515
Required quantity	2
	Front Axle

#### References

4806.G6



#### Application info

Jumper III (04/06--)

### Brake hose

214 525 0035 | MBH0286

#### Notes

Internal Thread [mm]	M10x1
External Thread [mm]	M10x1
Length [mm]	515
Required quantity	2
	Rear Axle

#### References

4806.H4

4806.P6



#### Application info

Jumper III (04/06--)

214 525 0033 | MBH0284

Brake hose



Notes

Internal Thread [mm]	M10x1
External Thread [mm]	M10x1
Length [mm]	440
Required quantity	2 Rear Axle

References

4806.G7	4806.P5
---------	---------

Application info

Jumper III (04/06--)

11-14 525 0045 | MBH0204

Brake hose



Notes

Internal Thread [mm]	M10x1
External Thread [mm]	M10x1
Length [mm]	325
Required quantity	2 Front Axle

References

91 515 816	91 518 816
------------	------------

Application info

C15 / Visa (09/78-10/06)

11-14 525 0041 | MBH0202

Brake hose



Notes

Internal Thread [mm]	M10x1
External Thread [mm]	M10x1
Length [mm]	550
Required quantity	2 Front Axle

References

96 037 346
------------

Application info

XM (05/89-10/00)



## Brake hose

16-14 525 0005 | MBH0234

### Notes

Internal Thread 2 [mm]	M10x1
Internal Thread 1 [mm]	M10x1
Length [mm]	265
Required quantity	2
	Rear Axle

### References

96 075 425



### Application info

AX (07/86-12/98)

## Brake hose

11-14 525 0040 | MBH0201

### Notes

Internal Thread [mm]	M10x1
External Thread [mm]	M10x1
Length [mm]	355
Required quantity	2
	Front Axle

### References

96 109 017



### Application info

Xantia (03/93-04/03)

## Brake master cylinder

100 611 0034 | MBX0147

### Notes

	Grey Cast Iron
Diameter [mm]	20.64
Thread Size	M10x1
Length 2 [mm]	114.9
Length 1 [mm]	32.4
Number of connectors	4

### References

91 510 533

94 046 018 58



### Application info

AX (07/86-12/98)

ZX (03/91-07/99)

214 531 0012 | MWC0088

Wheel cylinder



Notes

Diameter [mm]

Cast Iron  
25.4  
Rear Axle

References

4402.70  
94 044 027 08

ZF 099 388 68

Application info

C25 [07/81-07/94]

11-14 531 0007 | MWC0063

Wheel cylinder



Notes

Diameter [mm]  
Brake System

Grey Cast Iron  
19.05  
Bendix  
Rear Axle Left

References

4402.90

95 608 853

Counterpart

11-14 531 0008 | MWC0038

Application info

AX [07/86-12/98]

Saxo [02/96-04/04]

11-14 531 0008 | MWC0038

Wheel cylinder



Notes

Diameter [mm]  
Brake System

Grey Cast Iron  
19.05  
Bendix  
Rear Axle Right

References

4402.91

95 608 854

Counterpart

11-14 531 0007 | MWC0063

Application info

AX [07/86-12/98]

Saxo [02/96-04/04]



## Wheel cylinder

11-14 531 0005 | MWC0036

### Notes

Diameter [mm]  
Brake System

Grey Cast Iron  
19.05  
Bendix  
Rear Axle Left

### References

4402.93

95 659 673

### Counterpart

11-14 531 0006 | MWC0037



### Application info

AX [07/86-12/98]

Saxo [02/96-04/04]

## Wheel cylinder

11-14 531 0006 | MWC0037

### Notes

Diameter [mm]  
Brake System

Grey Cast Iron  
19.05  
Bendix  
Rear Axle Right

### References

4402.94

95 659 674

### Counterpart

11-14 531 0005 | MWC0036



### Application info

AX [07/86-12/98]

Saxo [02/96-04/04]

## Wheel cylinder

16-14 531 0009 | MWC0048

### Notes

Diameter [mm]

Grey Cast Iron  
20.6  
Rear Axle Left

### References

4402.97

95 668 067

### Counterpart

16-14 531 0010 | MWC0049



### Application info

ZX [03/91-07/99]  
Xsara [04/97-03/10]

C Elyse [11/12--]

3

16-14 531 0010 | MWC0049

Wheel cylinder



Notes

Diameter [mm] Grey Cast Iron  
20.6  
Rear Axle Right

References

4402.98 95 668 068

Counterpart

16-14 531 0009 | MWC0048

Application info

ZX [03/91-07/99]  
Xsara [04/97-03/10]

C Elyse [11/12--]

11-14 531 0009 | MWC0068

Wheel cylinder



Notes

Diameter [mm] Grey Cast Iron  
20.6  
Rear Axle Left

References

4402.A0 95 668 069

Counterpart

11-14 531 0010 | MWC0069

Application info

ZX [03/91-07/99]

Xsara [04/97-03/10]

11-14 531 0010 | MWC0069

Wheel cylinder



Notes

Diameter [mm] Grey Cast Iron  
20.6  
Rear Axle Right

References

4402.A1 95 668 070

Counterpart

11-14 531 0009 | MWC0068

Application info

ZX [03/91-07/99]

Xsara [04/97-03/10]

**Wheel cylinder**
**11-14 531 0026 | MWC0083**
**Notes**

Diameter [mm]

 Cast Iron  
 20.64  
 Rear Axle

**References**

4402.A2


**Application info**

ZX [03/91-07/99]

Xsara [04/97-03/10]

**Wheel cylinder**
**11-14 531 0023 | MWC0042**
**Notes**

Diameter [mm]

 Grey Cast Iron  
 27  
 Rear Axle

**References**

4402.A3

4402.E4


**Application info**

Jumper I [02/94-08/02]

Jumper II [02/02--]

**Wheel cylinder**
**11-14 531 0022 | MWC0041**
**Notes**

Diameter [mm]

 Grey Cast Iron  
 25.4  
 Rear Axle

**References**

4402.A4


**Application info**

Jumper I [02/94-08/02]

Jumper II [02/02--]

11-14 531 0016 | MWC0090

Wheel cylinder



Notes

Diameter [mm]

Cast Iron  
28.57  
Rear Axle

References

4402.A5

Application info

Jumper I [02/94-08/02]

214 531 0009 | MWC0099

Wheel cylinder



Notes

Diameter [mm]  
Brake System

Cast Iron  
19.05  
BENDIX  
Rear Axle

References

4402.A7

Application info

Evasion [03/94-10/02]

Jumpy I [06/94-12/06]

11-14 531 0024 | MWC0064

Wheel cylinder



Notes

Diameter [mm]

Cast Iron  
20.6  
Rear Axle

References

4402.A8

4402.C3

Application info

Saxo [02/96-04/04]  
ZX [03/91-07/99]

Xsara [04/97-03/10]



**Wheel cylinder**
**11-14 531 0021 | MWC0059**
**Notes**

 Diameter [mm]      Grey Cast Iron  
                                  22.2  
                                  Rear Axle

**References**

 4402.C6                              4402.E8  
 4402.E7

**Application info**

 Berlingo I [07/96-12/11]  
 Xsara Picasso [09/99-06/12]

Berlingo II [04/08--]

**Wheel cylinder**
**11-14 531 0027 | MWC0086**
**Notes**

 Diameter [mm]      Cast Iron  
                                  22.2  
                                  Rear Axle

**References**

4402.C7


**Application info**

Xsara [04/97-03/10]

**Wheel cylinder**
**11-14 531 0020 | MWC0097**
**Notes**

 Diameter [mm]      Aluminium  
                                  20.6  
                                  Rear Axle

**References**

 4402.C8                              4402.E5  
 4402.E3

**Application info**

 Saxo [02/96-04/04]  
 ZX [03/91-07/99]

 C2 / C3 I / Pluriel [02/02--]  
 Xsara [04/97-03/10]

11-14 531 0025 | MWC0075

Wheel cylinder



Notes

Diameter [mm]  
Brake System

Aluminium  
20.64  
BOSCH  
Rear Axle

References

4402.E6

Application info

C2 / C3 I / Pluriel [02/02--]

11-14 531 0001 | MWC0014

Wheel cylinder



Notes

Diameter [mm]  
Brake System

Aluminium  
17.46  
Bosch  
Rear Axle

References

4402.F0

Application info

C1 [06/05-09/14]

11-14 531 0013 | MWC0089

Wheel cylinder



Notes

Diameter [mm]

Aluminium  
20.64  
Rear Axle

References

4402.F1

Application info

C3 II [09/09--]  
DS3 [11/09-12/16]

C3 III [07/16--]

**Wheel cylinder**
**11-14 531 0015 | MWC0074**
**Notes**

Diameter [mm]

 Aluminium  
 22.2  
 Rear Axle

**References**

4402.F2


**Application info**

Jumpy II [01/07--]

**Wheel cylinder**
**214 531 0010 | MWC0087**
**Notes**

Diameter [mm]

 Aluminium  
 20.6  
 Rear Axle

**References**

4402.F3


**Application info**

Nemo [02/08--]

**Wheel cylinder**
**16-14 531 0012 | MWC0077**
**Notes**

Diameter [mm]

 Cast Iron  
 22.2  
 Rear Axle

**References**

 00 176 894 00  
 17 689 400

95 606 669


**Application info**

C15 / Visa [09/78-10/06]

**3**

**Ø14 098 9017 | MTX0019**

**Driveshaft bearing**



**Notes**

Inner diameter [mm]	30
Outer diameter [mm]	55
Height [mm]	13

**References**

3247.03

**Application info**

C4 I / Coupe / Grand Picasso / Picasso / Stufenheck (11/04--)

**16-14 495 0021 | MBK0284**

**Boot kit, C.V. joint**



**Notes**

Inner diameter 2 [mm]	77
Inner diameter 1 [mm]	27.5
Length [mm]	96

NBR (nitrile butadiene rubber)  
transmission side  
Front Axle

**References**

16 077 413 80

3287.C3

**Application info**

Jumper III (04/06--)

**214 495 0021 | MBK0285**

**Boot kit, C.V. joint**



**Notes**

Inner diameter 2 [mm]	82
Inner diameter 1 [mm]	29
Length [mm]	95

Elastomer  
transmission side  
Front Axle

**References**

16 077 415 80

3287.C4

**Application info**

Jumper II (02/02--)

Jumper III (04/06--)



### Boot kit, C.V. joint

40-14 495 0005 | MBK0212

#### Notes

Inner diameter 2 [mm]  
Inner diameter 1 [mm]  
Length [mm]

Elastomer  
87  
33  
86  
transmission side  
Front Axle

#### References

3287.78



#### Application info

Jumper I [02/94-08/02]

### Boot kit, C.V. joint

40-14 495 0009 | MBK0216

#### Notes

Inner diameter 2 [mm]  
Inner diameter 1 [mm]  
Length [mm]

Elastomer  
76  
34  
100  
transmission side  
Front Axle

#### References

3287.81



#### Application info

Berlingo I [07/96-12/11]  
Xsara Picasso [09/99-06/12]

Xsara [04/97-03/10]

### Boot kit, C.V. joint

40-14 495 0004 | MBK0211

#### Notes

Inner diameter 2 [mm]  
Inner diameter 1 [mm]  
Length [mm]

Elastomer  
70  
20  
172  
Front Axle  
transmission side

#### References

3287.83



#### Application info

Saxo [02/96-04/04]  
Berlingo I [07/96-12/11]

C15 / Visa [09/78-10/06]  
Xsara [04/97-03/10]

4

**11-14 495 0012 | MBK0118**

**Boot kit, C.V. joint**



**Notes**

Inner diameter 2 [mm]  
Inner diameter 1 [mm]  
Length [mm]

Elastomer  
62  
28  
83  
transmission side  
Front Axle

**References**

3287.88

**Application info**

Berlingo I [07/96-12/11]  
C2 / C3 I / Pluriel [02/02--]

Xsara [04/97-03/10]

**40-14 495 0010 | MBK0217**

**Boot kit, C.V. joint**



**Notes**

Inner diameter 2 [mm]  
Inner diameter 1 [mm]  
Length [mm]

Elastomer  
75  
28  
93  
transmission side  
Front Axle

**References**

3287.90

**Application info**

Evasion [03/94-10/02]  
XM [05/89-10/00]

Jumper I [02/94-08/02]  
Jumpy I [06/94-12/06]

**11-14 495 0000 | MBK0109**

**Boot kit, C.V. joint**



**Notes**

Inner diameter 2 [mm]  
Inner diameter 1 [mm]  
Length [mm]

Elastomer  
70  
35  
96  
transmission side  
Front Axle

**References**

3287.A9

**Application info**

Berlingo I [07/96-12/11]  
Xsara Picasso [09/99-06/12]

C5 I / C5 II [03/01--]

### Boot kit, C.V. joint

40-14 495 0001 | MBK0208

#### Notes

Inner diameter 2 [mm]	Thermoplast
Inner diameter 1 [mm]	86
Length [mm]	36
	119
	Wheel Side
	Front Axle

#### References

3292.03	3293.03
---------	---------



#### Application info

Berlingo I [07/96-12/11]  
Xantia [03/93-04/03]  
Xsara Picasso [09/99-06/12]  
Jumpy I [06/94-12/06]

C5 I / C5 II [03/01--]  
C15 / Visa [09/78-10/06]  
Xsara [04/97-03/10]

### Boot kit, C.V. joint

11-14 495 0001 | MBK0110

#### Notes

Inner diameter 2 [mm]	Thermoplast
Inner diameter 1 [mm]	97
Length [mm]	29
	112
	Wheel Side
	Front Axle

#### References

3293.06



#### Application info

Evasion [03/94-10/02]  
Jumpy I [06/94-12/06]

C8 [06/02--]

### Boot kit, C.V. joint

11-14 495 0007 | MBK0115

#### Notes

Inner diameter 2 [mm]	Thermoplast
Inner diameter 1 [mm]	76
Length [mm]	34
	114
	Wheel Side
	Front Axle

#### References

3293.20



#### Application info

Berlingo I [07/96-12/11]  
C2 / C3 I / Pluriel [02/02--]

Xsara [04/97-03/10]

4

11-14 495 0006 | MBK0114

Boot kit, C.V. joint



Notes

Inner diameter 2 [mm]  
Inner diameter 1 [mm]  
Length [mm]

Thermoplast  
97  
40  
128  
Wheel Side  
Front Axle

References

3293.02

3293.34

Application info

Xantia [03/93-04/03]

XM [05/89-10/00]

40-14 495 0018 | MBK0223

Boot kit, C.V. joint



Notes

Inner diameter 2 [mm]  
Inner diameter 1 [mm]  
Length [mm]

Elastomer  
95  
24  
150  
Wheel Side  
Front Axle

References

3293.97

Application info

C25 [07/81-07/94]  
Jumper I [02/94-08/02]

Jumper II [02/02--]

40-14 495 0019 | MBK0224

Boot kit, C.V. joint



Notes

Inner diameter 2 [mm]  
Inner diameter 1 [mm]  
Length [mm]

Elastomer  
111  
33  
93  
Wheel Side  
Front Axle

References

3293.99

Application info

Jumper I [02/94-08/02]

Jumper II [02/02--]



### Boot kit, C.V. joint

**40-14 495 0006 | MBK0213**

**Notes**

Inner diameter 2 [mm]  
Inner diameter 1 [mm]  
Length [mm]

Thermoplast  
110  
33  
160  
Wheel Side  
Front Axle

**References**

3293.A2



**Application info**

Jumper I [02/94-08/02]

Jumper II [02/02--]

### Boot, C.V. joint

**40-14 495 0000 | MTX0074**

**Notes**

Inner diameter 2 [mm]  
Inner diameter 1 [mm]  
Length [mm]

Thermoplast  
85  
35  
117  
Front Axle  
Wheel Side

**References**

3293.31



**Application info**

Berlingo I [07/96-12/11]  
Xantia [03/93-04/03]  
ZX [03/91-07/99]  
Xsara Picasso [09/99-06/12]  
Jumpy I [06/94-12/06]

C5 I / C5 II [03/01--]  
C15 / Visa [09/78-10/06]  
C4 I / Coupe / Grand Picasso / Picasso / Stufenheck [11/04--]  
Xsara [04/97-03/10]

### Drive shaft

**11-14 498 0029 | MDS0213**

**Notes**

New part without deposit

Seal Diameter [mm]  
Length [mm]  
Outer teething differential side  
Outer gearing wheel side

CV Joint  
Tripod Joint  
49  
866  
22  
21  
Front Axle Right

**References**

16 072 371 80      98 016 112 80  
16 089 578 80      98 039 596 80



11-14 498 0029 | MDS0213

Drive shaft

Application info

C3 III (07/16--)

214 498 0064 | MDS0184

Drive shaft



Notes

New part without deposit  
 Seal Diameter [mm] 71.5  
 Length [mm] 1140  
 Outer teething differential side 41  
 Internal Teeth, wheel side 29  
 Outer gearing wheel side 35  
 Front Axle Right

References

1608505580 3273PP

Counterpart

214 498 0063 | MDS0183

Application info

Jumper III (04/06--)

11-14 498 0028 | MDS0206

Drive shaft



Notes

New part without deposit  
 CV Joint  
 Tripod Joint  
 Seal Diameter [mm] 49  
 Length [mm] 652  
 Outer teething differential side 22  
 Outer gearing wheel side 21  
 Front Axle  
 Left

References

16 080 326 80 3272.VV  
 16 087 326 80 98 013 885 80  
 16 089 577 80 98 030 195 80  
 3272.VT 98 039 595 80

Application info

C3 Picasso (02/09--)  
 C3 II (09/09--)

DS3 (11/09-12/16)  
 C3 III (07/16--)



### Drive shaft

11-14 498 0039 | MDS0250

#### Notes

New part without deposit

Front Axle Right



#### References

16 126 902 80  
3273.WA

3273.WC  
98 010 486 80

#### Application info

C3 II (09/09--)

DS3 (11/09-12/16)

### Drive shaft

11-14 498 0036 | MDS0239

#### Notes

New part without deposit

Seal Diameter [mm]

80

Length [mm]

663

Outer gearing wheel side

28

Front Axle Left



#### References

16 133 066 80

98 087 714 80

#### Application info

C4 II / DS4 (02/09--)

C4 Cactus (09/14--)

C4 Grand Picasso II (01/13--)

C4 SPACETOURER / GRAND SPACETOURER (04/18--)

C5 AIRCROSS (11/18--)

### Drive shaft

40-14 498 0038 | MDS0140

#### Notes

New part without deposit

Seal Diameter [mm]

56.4

Length [mm]

567

Outer teething differential side

24

Outer gearing wheel side

21

Front Axle Left



#### References

3272.00

3272.K2

3272.20

3272.R5

3272.4K

95 591 073

3272.5K

95 619 481

3272.76

95 654 730

#### Counterpart

40-14 498 0035 | MDS0137



**40-14 498 0038 | MDS0140**

**Drive shaft**

**Application info**

C15 / Visa [09/78-10/06]

**11-14 498 0010 | MDS0020**

**Drive shaft**



**Notes**

New part without deposit

Seal Diameter [mm]	54
Length [mm]	572
Outer teething differential side	22
Outer gearing wheel side	21
	Front Axle Left

**References**

3272.18	95 644 403
---------	------------

**Counterpart**

11-14 498 0009 | MDS0019

**Application info**

C15 / Visa [09/78-10/06]

**40-14 498 0078 | MDS0175**

**Drive shaft**



**Notes**

New part without deposit

Number of Teeth, ABS ring	29
Seal Diameter [mm]	96
Length [mm]	603
Outer teething differential side	22
Outer gearing wheel side	25
	Front Axle Left

**References**

3272.1F

**Parts list**

11-14 498 0018   MCV0094	C.V. joint kit
--------------------------	----------------

**Counterpart**

40-14 498 0039 | MDS0141

**Application info**

Xsara [04/97-03/10]



### Drive shaft

40-14 498 0019 | MDS0046

#### Notes

New part without deposit

Seal Diameter [mm]	58.5
Length [mm]	624
Outer teething differential side	22
Outer gearing wheel side	21

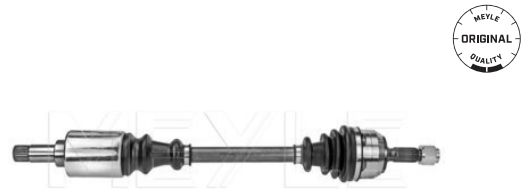
Front Axle Left

#### References

3272.1Q	3272.9P
---------	---------

#### Counterpart

40-14 498 0020 | MDS0047



#### Application info

Saxo (02/96-04/04)

### Drive shaft

40-14 498 0040 | MDS0142

#### Notes

New part without deposit

Number of Teeth, ABS ring	48
Seal Diameter [mm]	58.5
Length [mm]	624
Outer teething differential side	22
Outer gearing wheel side	21

Front Axle Left

#### References

3272.2Q	3272.Q
3272.3Q	

#### Counterpart

40-14 498 0041 | MDS0143



#### Application info

Saxo (02/96-04/04)

### Drive shaft

40-14 498 0034 | MDS0136

#### Notes

New part without deposit

Seal Diameter [mm]	56.7
Length [mm]	594
Outer teething differential side	22
Outer gearing wheel side	25

Front Axle Left

#### References

3272.5L	3272.Y7
3272.6Y	3272.Y8
3272.Y6	

#### Counterpart

40-14 498 0031 | MDS0133



4



**40-14 498 0034 | MDS0136**

**Drive shaft**

**Application info**

Berlingo I (07/96-12/11)

Xsara (04/97-03/10)

**40-14 498 0079 | MDS0176**

**Drive shaft**



**Notes**

New part without deposit

Seal Diameter [mm]	97
Length [mm]	633
Outer teething differential side	22
Outer gearing wheel side	25
	Front Axle Left

**References**

3272.5X

**Parts list**

11-14 498 0018 | MCV0094 C.V. joint kit

**Counterpart**

40-14 498 0042 | MDS0144

**Application info**

C4 I / Coupe / Grand Picasso / Picasso / Stufenheck (11/04--)

**40-14 498 0016 | MDS0043**

**Drive shaft**



**Notes**

New part without deposit

Seal Diameter [mm]	50
Length [mm]	618
Outer teething differential side	22
Outer gearing wheel side	21
	Front Axle Left

**References**

3272.54 3272.W5  
3272.8J

**Counterpart**

40-14 498 0013 | MDS0041

**Application info**

AX (07/86-12/98)

Saxo (02/96-04/04)



### Drive shaft

40-14 498 0075 | MDS0172

#### Notes

New part without deposit  
 Number of Teeth, ABS ring 29  
 Seal Diameter [mm] 99  
 Length [mm] 594  
 Outer teething differential side 24  
 Outer gearing wheel side 25  
 Front Axle Left

#### References

3272.6W 3272.8S  
 3272.7S 3272.FP  
 3272.8R 3272.Z7

#### Counterpart

40-14 498 0028 | MDS0130



#### Application info

Berlingo I [07/96-12/11]  
 Xsara Picasso [09/99-06/12]

Xsara [04/97-03/10]

4

### Drive shaft

40-14 498 0076 | MDS0173

#### Notes

New part without deposit  
 Number of Teeth, ABS ring 48  
 Seal Diameter [mm] 116  
 Length [mm] 630  
 Outer teething differential side 37  
 Internal Teeth, wheel side 39  
 Outer gearing wheel side 27  
 Front Axle Left

#### References

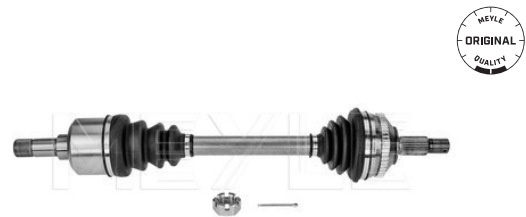
3272.9C

#### Parts list

40-14 498 0082 | MCV0465 C.V. joint kit  
 40-14 498 0087 | MCV0467 C.V. joint kit

#### Counterpart

40-14 498 0033 | MDS0135



#### Application info

Jumpy I [06/94-12/06]

40-14 498 0022 | MDS0049

Drive shaft



Notes

New part without deposit  
 Seal Diameter [mm] 58.5  
 Length [mm] 614  
 Outer teething differential side 22  
 Outer gearing wheel side 21  
 Front Axle Left

References

3272.51 96 048 666  
 3272.9J 96 095 217  
 3272.W8 96 666 908  
 95 666 940

Counterpart

40-14 498 0021 | MDS0048

Application info

AX [07/86-12/98]

Saxo [02/96-04/04]

214 498 0078 | MDS0168

Drive shaft



Notes

New part without deposit  
 Seal Diameter [mm] 105  
 Length [mm] 782  
 Outer teething differential side 37  
 Outer gearing wheel side 28  
 Front Axle Left

References

3272.CJ

Parts list

214 498 0032 | MCV0146 C.V. joint kit  
 214 498 0079 | MCV0442 C.V. joint kit

Counterpart

214 498 0059 | MDS0122

Application info

Jumper I [02/94-08/02]



**Drive shaft**

**40-14 498 0011 | MDS0039**

**Notes**

New part without deposit  
without ABS ring  
Seal Diameter [mm] 48  
Length [mm] 610  
Outer teething differential side 22  
Outer gearing wheel side 21  
Front Axle Left

**References**

3272.CQ 3272.CR

**Counterpart**

40-14 498 0074 | MDS0171



**Application info**

Xsara [04/97-03/10]

**Drive shaft**

**40-14 498 0017 | MDS0044**

**Notes**

New part without deposit  
Number of Teeth, ABS ring 54  
Seal Diameter [mm] 63  
Length [mm] 771  
Outer teething differential side 37  
Outer gearing wheel side 28  
Front Axle Left

**References**

3272.J0 3272.J4  
3272.J3

**Counterpart**

40-14 498 0030 | MDS0132



**Application info**

Jumper I [02/94-08/02]

**Drive shaft**

**40-14 498 0015 | MDS0042**

**Notes**

New part without deposit  
Number of Teeth, ABS ring 54  
Seal Diameter [mm] 63  
Length [mm] 757.5  
Outer teething differential side 41  
Outer gearing wheel side 28  
Front Axle Left

**References**

3272.J1 3272.J6  
3272.J5

**Counterpart**

40-14 498 0012 | MDS0040



40-14 498 0015 | MDS0042

Drive shaft

Application info

Jumper I [02/94-08/02]

40-14 498 0037 | MDS0139

Drive shaft



Notes

New part without deposit  
Seal Diameter [mm] 58  
Length [mm] 625  
Outer teething differential side 24  
Outer gearing wheel side 25  
Front Axle Left

References

3272.1X 3272.LV  
3272.2X 3272.LW

Parts list

40-14 498 0050 | MCV0451 C.V. joint kit  
40-14 498 0068 | MCV0417 C.V. joint kit

Counterpart

40-14 498 0032 | MDS0134

Application info

C4 I / Coupe / Grand Picasso / Picasso / Stufenheck [11/04--]

Berlingo II [04/08--]

40-14 498 0043 | MDS0145

Drive shaft



Notes

New part without deposit  
Seal Diameter [mm] 58.6  
Length [mm] 653  
Outer teething differential side 37  
Internal Teeth, wheel side 39  
Outer gearing wheel side 28  
Front Axle Left

References

3272.NP 3272.SE  
3272.NQ 3272.SF

Parts list

11-14 498 0020 | MCV0096 C.V. joint kit  
40-14 498 0048 | MCV0449 C.V. joint kit

Application info

Jumpy II [01/07--]

C5 III [RD\_, TD\_] [02/08--]

### Drive shaft

214 498 0063 | MDS0183

#### Notes

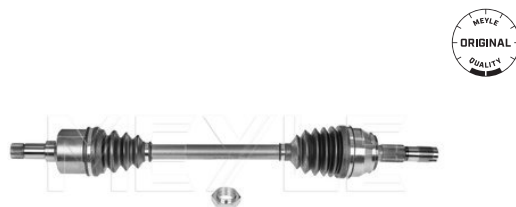
New part without deposit  
 Seal Diameter [mm] 71.5  
 Length [mm] 808  
 Outer teething differential side 41  
 Internal Teeth, wheel side 27  
 Outer gearing wheel side 35  
 Front Axle Left

#### References

3272.PA 3272.PC

#### Counterpart

214 498 0064 | MDS0184



#### Application info

Jumper III (04/06--)

### Drive shaft

11-14 498 0030 | MDS0243

#### Notes

New part without deposit  
 Seal Diameter [mm] 48  
 Length [mm] 647  
 Outer teething differential side 22  
 Outer gearing wheel side 21  
 Front Axle Left

#### References

3272.PV 3272.PW



#### Application info

C3 II (09/09--)

DS3 (11/09-12/16)

### Drive shaft

40-14 498 0077 | MDS0174

#### Notes

New part without deposit  
 Number of Teeth, ABS ring 48  
 Seal Diameter [mm] 59  
 Length [mm] 641  
 Outer teething differential side 37  
 Internal Teeth, wheel side 39  
 Outer gearing wheel side 27  
 Front Axle Left

#### References

3272.V0 3272.V6

#### Parts list

40-14 498 0082 | MCV0465 C.V. joint kit  
 40-14 498 0087 | MCV0467 C.V. joint kit

#### Counterpart

40-14 498 0036 | MDS0138



**40-14 498 0077 | MDS0174**

**Drive shaft**

**Application info**

Evasion [03/94-10/02]

Jumpy I [06/94-12/06]

**40-14 498 0018 | MDS0045**

**Drive shaft**



**Notes**

New part without deposit  
 Number of Teeth, ABS ring 54  
 Seal Diameter [mm] 70  
 Length [mm] 761  
 Outer teething differential side 41  
 Outer gearing wheel side 35  
 Front Axle Left

**References**

3272.V3 3272.V5  
 3272.V4

**Counterpart**

40-14 498 0029 | MDS0131

**Application info**

Jumper I [02/94-08/02]

**11-14 498 0037 | MDS0241**

**Drive shaft**



**Notes**

New part without deposit  
 Seal Diameter [mm] 75  
 Length [mm] 625  
 Outer gearing wheel side 25  
 Front Axle Left

**References**

3272.VW 3272.VX

**Application info**

C3 II [09/09--]

DS3 [11/09-12/16]

4

**Drive shaft**
**40-14 498 0036 | MDS0138**
**Notes**

New part without deposit  
 Number of Teeth, ABS ring 48  
 Seal Diameter [mm] 59  
 Length [mm] 947  
 Outer teething differential side 37  
 Internal Teeth, wheel side 39  
 Outer gearing wheel side 27  
 Front Axle Right

**References**

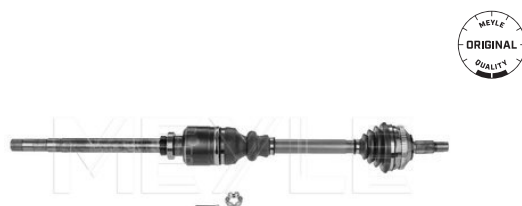
3273.06 3273.S1  
 3273.15 3273.S2  
 3273.5Y 96 260 840 88  
 3273.7E

**Parts list**

214 498 0014 | MCV0132 C.V. joint kit  
 214 498 0074 | MCV0441 C.V. joint kit

**Counterpart**

40-14 498 0077 | MDS0174


**Application info**

Evasion [03/94-10/02]

Jumpy I [06/94-12/06]

**Drive shaft**
**40-14 498 0028 | MDS0130**
**Notes**

New part without deposit  
 Number of Teeth, ABS ring 29  
 Seal Diameter [mm] 55.7  
 Length [mm] 868  
 Outer teething differential side 24  
 Outer gearing wheel side 25  
 Front Axle Right

**References**

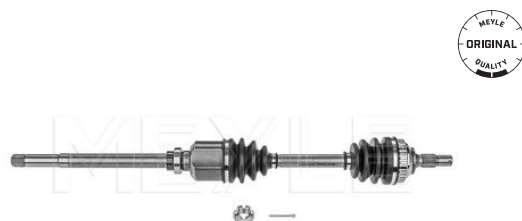
3273.0R 3273.K3  
 3273.0S 7273.7X  
 3273.6K 96 031 845  
 3273.7W 96 091 416  
 3273.9Z 96 167 304  
 3273.AA 96 171 875  
 3273.K2 96 173 636

**Parts list**

40-14 498 0045 | MCV0447 C.V. joint kit

**Counterpart**

40-14 498 0075 | MDS0172


**Application info**

Berlingo I [07/96-12/11]  
 ZX [03/91-07/99]

Xsara Picasso [09/99-06/12]  
 Xsara [04/97-03/10]

**4**

**40-14 498 0031 | MDS0133**

**Drive shaft**



**Notes**

New part without deposit  
 Seal Diameter [mm] 56.7  
 Length [mm] 868  
 Outer teething differential side 22  
 Outer gearing wheel side 25  
 Front Axle Right

**References**

3273.0W 3273.6A  
 3273.0X

**Counterpart**

40-14 498 0034 | MDS0136

**Application info**

Berlingo I [07/96-12/11]

**40-14 498 0033 | MDS0135**

**Drive shaft**



**Notes**

New part without deposit  
 Number of Teeth, ABS ring 48  
 Seal Diameter [mm] 114  
 Length [mm] 960  
 Outer teething differential side 37  
 Internal Teeth, wheel side 39  
 Outer gearing wheel side 27  
 Front Axle Right

**References**

3273.3Q 3273.5Z

**Parts list**

214 498 0014 | MCV0132 C.V. joint kit  
 214 498 0074 | MCV0441 C.V. joint kit

**Counterpart**

40-14 498 0076 | MDS0173

**Application info**

Jumpy I [06/94-12/06]

## Drive shaft

40-14 498 0039 | MDS0141

### Notes

New part without deposit  
 Number of Teeth, ABS ring 29  
 Seal Diameter [mm] 60  
 Length [mm] 867  
 Outer teething differential side 22  
 Outer gearing wheel side 25  
 Front Axle Right

### References

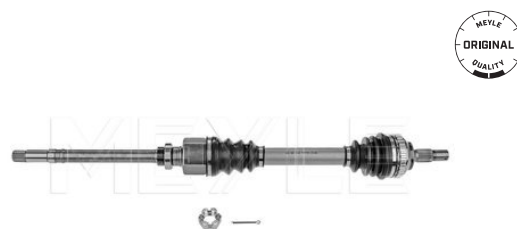
3273.1C 3273.4J  
 3273.3Z 3273.6H

### Parts list

40-14 498 0058 | MCV0455 C.V. joint kit

### Counterpart

40-14 498 0078 | MDS0175



### Application info

Xsara [04/97-03/10]

4

## Drive shaft

40-14 498 0013 | MDS0041

### Notes

New part without deposit  
 Seal Diameter [mm] 50  
 Length [mm] 800  
 Outer teething differential side 22  
 Outer gearing wheel side 21  
 Front Axle Right

### References

3273.56 3273.C8

### Counterpart

16-14 498 0058 | MDS0113  
 40-14 498 0016 | MDS0043  
 16-14 498 0060 | MDS0115



### Application info

AX [07/86-12/98]

Saxo [02/96-04/04]

**40-14 498 0035 | MDS0137**

**Drive shaft**



**Notes**

New part without deposit  
 Seal Diameter [mm] 48  
 Length [mm] 845  
 Outer teething differential side 24  
 Outer gearing wheel side 21  
 Front Axle Right

**References**

3272.65	3273.R6
3273.5Q	3273.Y0
3273.5R	95 591 074
3273.G2	95 619 482
3273.L9	95 654 731

**Counterpart**

40-14 498 0038 | MDS0140

**Application info**

C15 / Visa [09/78-10/06]

**40-14 498 0030 | MDS0132**

**Drive shaft**



**Notes**

New part without deposit  
 Number of Teeth, ABS ring 54  
 Seal Diameter [mm] 63  
 Length [mm] 1072  
 Outer teething differential side 37  
 Outer gearing wheel side 28  
 Front Axle Right

**References**

3273.5S	3273.Q8
3273.CJ	3273.Q9

**Parts list**

214 498 0012   MCV0130	C.V. joint kit
214 498 0074   MCV0441	C.V. joint kit

**Counterpart**

40-14 498 0017 | MDS0044

**Application info**

Jumper I [02/94-08/02]





### Drive shaft

### 40-14 498 0012 | MDS0040

#### Notes

New part without deposit

Number of Teeth, ABS ring	54
Seal Diameter [mm]	63
Length [mm]	1079
Outer teething differential side	41
Outer gearing wheel side	28

Front Axle Right



#### References

3273.5T	3273.R1
3273.R0	

#### Counterpart

40-14 498 0015 | MDS0042

#### Application info

Jumper I [02/94-08/02]

# 4

### Drive shaft

### 40-14 498 0029 | MDS0131

#### Notes

New part without deposit

Number of Teeth, ABS ring	54
Seal Diameter [mm]	70
Length [mm]	1085
Outer teething differential side	41
Outer gearing wheel side	35

Front Axle Right



#### References

3273.09	3273.5W
3273.10	3273.CN
3273.13	3273.R2
3273.5V	3273.R3

#### Parts list

214 498 0013   MCV0131	C.V. joint kit
40-14 498 0046   MCV0446	C.V. joint kit

#### Counterpart

40-14 498 0018 | MDS0045

#### Application info

Jumper I [02/94-08/02]

40-14 498 0020 | MDS0047

Drive shaft



Notes

New part without deposit  
 Seal Diameter [mm] 58.5  
 Length [mm] 807  
 Outer teething differential side 22  
 Outer gearing wheel side 21  
 Front Axle Right

References

3273.7F

Counterpart

40-14 498 0019 | MDS0046

Application info

Saxo [02/96-04/04]

40-14 498 0041 | MDS0143

Drive shaft



Notes

New part without deposit  
 Number of Teeth, ABS ring 48  
 Seal Diameter [mm] 58.5  
 Length [mm] 807  
 Outer teething differential side 22  
 Outer gearing wheel side 21  
 Front Axle Right

References

3273.7H 3273.7J

Counterpart

40-14 498 0040 | MDS0142

Application info

Saxo [02/96-04/04]

11-14 498 0009 | MDS0019

Drive shaft



Notes

New part without deposit  
 Seal Diameter [mm] 56.4  
 Length [mm] 832.6  
 Outer teething differential side 22  
 Outer gearing wheel side 21  
 Front Axle Right

References

3273.87 3273.88

Counterpart

11-14 498 0010 | MDS0020



### Drive shaft

11-14 498 0009 | MDS0019

#### Application info

C15 / Visa [09/78-10/08]

### Drive shaft

40-14 498 0032 | MDS0134

#### Notes

New part without deposit

Seal Diameter [mm]	58
Length [mm]	925
Outer teething differential side	24
Outer gearing wheel side	25
Front Axle Right	

#### References

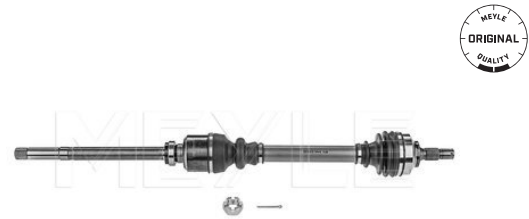
3273.AC	3273.LP
3273.AE	

#### Parts list

40-14 498 0050   MCV0451	C.V. joint kit
--------------------------	----------------

#### Counterpart

40-14 498 0037 | MDS0139



#### Application info

C4 I / Coupe / Grand Picasso / Picasso / Stufenheck [11/04--]

Berlingo II [04/08--]

### Drive shaft

40-14 498 0042 | MDS0144

#### Notes

New part without deposit

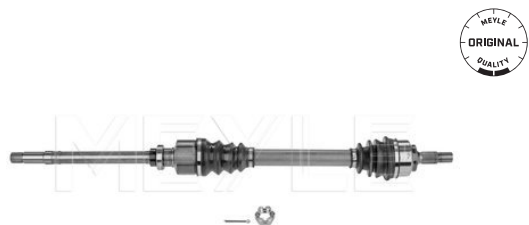
Seal Diameter [mm]	59
Length [mm]	915
Outer teething differential side	22
Outer gearing wheel side	25
Front Axle Right	

#### References

3273.AH

#### Counterpart

40-14 498 0079 | MDS0176



#### Application info

C4 I / Coupe / Grand Picasso / Picasso / Stufenheck [11/04--]

**40-14 498 0021 | MDS0048**

**Drive shaft**



**Notes**

New part without deposit  
 Seal Diameter [mm] 56.4  
 Length [mm] 797.7  
 Outer teething differential side 22  
 Outer gearing wheel side 21  
 Front Axle Right

**References**

3273.0K 3273.C9  
 3273.63 96 048 667

**Counterpart**

40-14 498 0022 | MDS0049

**Application info**

AX [07/86-12/98]

Saxo [02/96-04/04]

**214 498 0059 | MDS0122**

**Drive shaft**



**Notes**

New part without deposit  
 Seal Diameter [mm] 63  
 Length [mm] 1072  
 Outer teething differential side 37  
 Outer gearing wheel side 28  
 Front Axle Right

**References**

3273.5S 3273.CJ

**Parts list**

214 498 0032 | MCV0146 C.V. joint kit  
 214 498 0074 | MCV0441 C.V. joint kit

**Counterpart**

214 498 0078 | MDS0168

**Application info**

Jumper I [02/94-08/02]



### Drive shaft

40-14 498 0074 | MDS0171

#### Notes

New part without deposit

Seal Diameter [mm]  
Length [mm]  
Outer teething differential side  
Outer gearing wheel side

without ABS ring  
96.7  
884  
22  
21  
Front Axle Right

#### References

3273.CR

#### Parts list

11-14 498 0014 | MCV0090 C.V. joint kit

#### Counterpart

40-14 498 0011 | MDS0039



#### Application info

Xsara [04/97-03/10]

4

### Drive shaft

40-14 498 0044 | MDS0146

#### Notes

New part without deposit

Seal Diameter [mm]  
Length [mm]  
Outer teething differential side  
Internal Teeth, wheel side  
Outer gearing wheel side

58.6  
978  
37  
39  
28  
Front Axle Right

#### References

3273.NP 3273.NQ

#### Parts list

40-14 498 0051 | MCV0452 C.V. joint kit  
40-14 498 0065 | MCV0460 C.V. joint kit



#### Application info

Jumpy II [01/07--]

### Drive shaft

11-14 498 0033 | MDS0231

#### Notes

New part without deposit

Seal Diameter [mm]  
Length [mm]  
Outer gearing wheel side

80  
935  
25  
Front Axle Right

#### References

3273.QH 3273.VP  
3273.VN



**11-14 498 0033 | MDS0231**

**Drive shaft**

**Application info**

C4 II / DS4 (02/09--)

**11-14 498 0038 | MDS0235**

**Drive shaft**



**Notes**

New part without deposit

Seal Diameter [mm]	75
Length [mm]	770
Outer gearing wheel side	25
	Front Axle Right

**References**

3273.WJ	3273.WK
---------	---------

**Application info**

C3 II (09/09--)

DS3 (11/09-12/16)

**11-14 498 0017 | MCV0093**

**C.V. joint kit**



**Notes**

Seal Diameter [mm]  
Outer diameter [mm]  
Length [mm]  
Internal Teeth, wheel side  
Outer gearing wheel side

CV Joint  
without ABS ring  
58  
90  
145  
34  
25  
Wheel Side

**References**

3272.1X

**Application info**

C4 I / Coupe / Grand Picasso / Picasso / Stufenheck (11/04--)

### C.V. joint kit

**40-14 498 0050 | MCV0451**

#### Notes

Outer diameter [mm]	CV Joint
Length [mm]	90
Int.teeth, diff.side, conn.to conn.shaft	134.5
Outer gearing wheel side	34
	25
	Wheel Side
	Front Axle Right

#### References

3272.1X	3273.AC
3272.2X	3273.AE
3272.LW	3273.LP



#### Application info

C4 I / Coupe / Grand Picasso / Picasso / Stufenheck (11/04--)

Berlingo II (04/08--)

### C.V. joint kit

**40-14 498 0068 | MCV0417**

#### Notes

Outer diameter [mm]	Tripod Joint
Length [mm]	85
Outer teething differential side	161.5
Internal Teeth, wheel side	24
	34
	transmission side
	Front Axle Left

#### References

3272.1X	3272.LW
3272.2X	



#### Application info

C4 I / Coupe / Grand Picasso / Picasso / Stufenheck (11/04--)

Berlingo II (04/08--)

### C.V. joint kit

**40-14 498 0027 | MCV0317**

#### Notes

Number of Teeth, ABS ring	CV Joint
Seal Diameter [mm]	29
Outer diameter [mm]	with ABS ring
Length [mm]	58.5
Internal Teeth, wheel side	90
Outer gearing wheel side	134
	34
	25
	Wheel Side

#### References

3272.6W	3273.9Z
---------	---------



**40-14 498 0027 | MCV0317**

**C.V. joint kit**

**Application info**

Berlingo I [07/96-12/11]  
Xsara Picasso [09/99-06/12]

Xsara [04/97-03/10]

**40-14 498 0082 | MCV0465**

**C.V. joint kit**



**Notes**

Seal Diameter [mm]  
Length [mm]  
Outer teething differential side  
Int.teeth, diff.side, conn.to  
conn.shaft

Tripod Joint  
without ABS ring  
89  
172.5  
37  
39  
transmission side  
Front Axle

**References**

3272.9C  
3272.V0  
3272.V6

**Application info**

Evasion [03/94-10/02]

Jumpy I [06/94-12/06]

**40-14 498 0087 | MCV0467**

**C.V. joint kit**



**Notes**

Seal Diameter [mm]  
Length [mm]  
Int.teeth, diff.side, conn.to  
conn.shaft  
Outer gearing wheel side

CV Joint  
without ABS ring  
100  
145  
39  
27  
Wheel Side  
Front Axle

**References**

3272.9C  
3272.V0  
3272.V6

**Application info**

Evasion [03/94-10/02]

Jumpy I [06/94-12/06]



### C.V. joint kit

214 498 0079 | MCV0442

#### Notes

Seal Diameter [mm]  
Length [mm]  
Outer teething differential side  
Int.teeth, diff.side, conn.to  
conn.shaft

Tripod Joint  
without ABS ring  
76  
188  
37  
  
39  
transmission side  
Front Axle

#### References

3272.CJ



#### Application info

Jumper I (02/94-08/02)

### C.V. joint kit

40-14 498 0024 | MCV0314

#### Notes

Seal Diameter [mm]  
Outer diameter [mm]  
Length [mm]  
Internal Teeth, wheel side  
Outer gearing wheel side

CV Joint  
without ABS ring  
48.6  
79.2  
140.5  
22  
21  
Wheel Side

#### References

3272.EQ

3273.EQ



#### Application info

C2 / C3 I / Pluriel (02/02--)

### C.V. joint kit

11-14 498 0024 | MCV0098

#### Notes

Seal Diameter [mm]  
Outer diameter [mm]  
Length [mm]  
Internal Teeth, wheel side  
Outer gearing wheel side

CV Joint  
without ABS ring  
58.5  
86  
148  
34  
28  
Wheel Side

#### References

3272.GE  
3272.GG

3273.EG



**11-14 498 0024 | MCV0098**

**C.V. joint kit**

**Application info**

C8 [06/02--]

C5 III [RD\_, TD\_] [02/08--]

**214 498 0014 | MCV0132**

**C.V. joint kit**



**Notes**

Number of Teeth, ABS ring	CV Joint 48 with ABS ring
Seal Diameter [mm]	59
Outer diameter [mm]	99
Length [mm]	145
Internal Teeth, wheel side	39
Outer gearing wheel side	27
	Wheel Side

**References**

3272.GY	3273.GQ
---------	---------

**Application info**

Evasion [03/94-10/02]

Jumpy I [06/94-12/06]

**40-14 498 0026 | MCV0316**

**C.V. joint kit**



**Notes**

Seal Diameter [mm]	CV Joint without ABS ring 75.1
Outer diameter [mm]	75.1
Length [mm]	140.5
Internal Teeth, wheel side	21
Outer gearing wheel side	21
	Wheel Side

**References**

3272.JA	3273.HS
---------	---------

**Application info**

C2 / C3 I / Pluriel [02/02--]

4

### C.V. joint kit

30-14 498 0021 | MCV0187

#### Notes

CV Joint  
without ABS ring

Seal Diameter [mm] 49.2  
Length [mm] 137  
Internal Teeth, wheel side 19  
Outer gearing wheel side 24  
Wheel Side

#### References

3272JY 3273JR



#### Application info

C1 [06/05-09/14]

### C.V. joint kit

11-14 498 0013 | MCV0089

#### Notes

CV Joint  
with ABS ring

Number of Teeth, ABS ring 48

Seal Diameter [mm] 58.5  
Outer diameter [mm] 90  
Length [mm] 134  
Internal Teeth, wheel side 34  
Outer gearing wheel side 25  
Wheel Side

#### References

3272.FG 3272.LP  
3272.KL



#### Application info

Berlingo I [07/96-12/11]

Xsara Picasso [09/99-06/12]

### C.V. joint kit

214 498 0080 | MCV0484

#### Notes

Tripod Joint  
without ABS ring

Seal Diameter [mm] 43  
Length [mm] 179.3

transmission side  
Front Axle Left

#### References

3272.NF



#### Application info

Jumper III [04/06--]

4

**11-14 498 0016 | MCV0092**

**C.V. joint kit**



**Notes**

Seal Diameter [mm]  
Outer diameter [mm]  
Length [mm]  
Internal Teeth, wheel side  
Outer gearing wheel side

CV Joint  
without ABS ring  
58.6  
95  
156  
39  
28  
Wheel Side

**References**

3272.NP	3272.SF
3272.NQ	3273.NP
3272.SE	3273.NQ

**Application info**

Jumpy II (01/07--)

C5 III (RD\_, TD\_) (02/08--)

**40-14 498 0048 | MCV0449**

**C.V. joint kit**



**Notes**

Outer diameter [mm]  
Length [mm]  
Outer teething differential side  
Internal Teeth, wheel side

Tripod Joint  
89  
183.5  
37  
39  
transmission side  
Front Axle Left

**References**

3272.NP	3272.SE
3272.NQ	3272.SF

**Application info**

Jumpy II (01/07--)

C5 III (RD\_, TD\_) (02/08--)

**214 498 0067 | MCV0481**

**C.V. joint kit**



**Notes**

Seal Diameter [mm]  
Outer diameter [mm]  
Length [mm]  
Outer teething differential side  
Int.teeth, diff.side, conn.to  
conn.shaft

Tripod Joint  
without ABS ring  
88.5  
88.5  
172  
41  
27  
transmission side

**References**

3272.PA	3272.PC
---------	---------



### C.V. joint kit

214 498 0067 | MCV0481

#### Application info

Jumper III (04/06--)

### C.V. joint kit

214 498 0070 | MCV0482

#### Notes

	CV Joint without ABS ring
Seal Diameter [mm]	71.5
Thread Size	M33x1.5
Length [mm]	193.5
Internal Teeth, wheel side	27
Outer gearing wheel side	35
	Wheel Side

#### References

3272.PA	3273.PJ
3272.PC	3273.PK



#### Application info

Jumper III (04/06--)

### C.V. joint kit

11-14 498 0052 | MCV0498

#### Notes

	CV Joint
Seal Diameter [mm]	58.5
Thread Size	M24X1,5
Length [mm]	133.5
Internal Teeth, wheel side	30
Outer gearing wheel side	25
	Wheel Side

#### References

3272.VW	3273.WJ
3272.VX	3273.WK

#### Application info

C3 II (09/09--)

DS3 (11/09-12/16)

**214 498 0074 | MCV0441**

**C.V. joint kit**



**Notes**

Outer diameter [mm]  
Length [mm]  
Outer teething differential side  
Internal Teeth, wheel side

Tripod Joint  
90  
488  
37  
39  
transmission side  
Front Axle Right

**References**

3273.06	3273.CJ
3273.15	3273.Q8
3273.3Q	3273.Q9
3273.5S	3273.S1
3273.5Y	3273.S2
3273.5Z	96 260 840 88
3273.7E	

**Application info**

Evasion [03/94-10/02]  
Jumper I [02/94-08/02]

Jumpy I [06/94-12/06]

**40-14 498 0045 | MCV0447**

**C.V. joint kit**



**Notes**

Number of Teeth, ABS ring  
Seal Diameter [mm]  
Length [mm]  
Int.teeth, diff.side, conn.to  
conn.shaft  
Outer gearing wheel side

CV Joint  
24  
90  
134  
34  
25  
Wheel Side  
Front Axle Right

**References**

3273.0R	3273.K3
3273.0S	7273.7X
3273.6K	96 031 845
3273.7W	96 091 416
3273.9Z	96 167 304
3273.AA	96 171 875
3273.K2	96 173 636

**Application info**

Berlingo I [07/96-12/11]  
ZX [03/91-07/99]

Xsara Picasso [09/99-06/12]  
Xsara [04/97-03/10]

4



### C.V. joint kit

40-14 498 0058 | MCV0455

#### Notes

Number of Teeth, ABS ring	CV Joint 29 with ABS ring
Outer diameter [mm]	81
Length [mm]	134
Int.teeth, diff.side, conn.to conn.shaft	22
Outer gearing wheel side	25 Wheel Side Front Axle Right



#### References

3273.1C	3273.4J
3273.3Z	3273.6H

#### Application info

Xsara [04/97-03/10]

4

### C.V. joint kit

40-14 498 0046 | MCV0448

#### Notes

Outer diameter [mm]	Tripod Joint 102
Length [mm]	508.6
Outer teething differential side	41
Internal Teeth, wheel side	45 transmission side Front Axle Right



#### References

3273.09	3273.5W
3273.10	3273.CN
3273.13	3273.R2
3273.5V	3273.R3

#### Application info

Jumper I [02/94-08/02]

### C.V. joint kit

214 498 0006 | MCV0127

#### Notes

Seal Diameter [mm]	CV Joint without ABS ring 63
Outer diameter [mm]	99
Length [mm]	175.5
Internal Teeth, wheel side	27
Outer gearing wheel side	28 Wheel Side



#### References

3273.60	3273.62
---------	---------



**214 498 0006 | MCV0127**

**C.V. joint kit**

**Application info**

C25 (07/81-07/94)

**11-14 498 0012 | MCV0088**

**C.V. joint kit**



**Notes**

Seal Diameter [mm]  
Outer diameter [mm]  
Length [mm]  
Internal Teeth, wheel side  
Outer gearing wheel side

CV Joint  
without ABS ring  
59  
100  
152.5  
39  
25  
Wheel Side

**References**

3272.FT

3273.CY

**Application info**

C4 I / Coupe / Grand Picasso / Picasso / Stufenheck (11/04--)

**40-14 498 0025 | MCV0315**

**C.V. joint kit**



**Notes**

Seal Diameter [mm]  
Outer diameter [mm]  
Length [mm]  
Internal Teeth, wheel side  
Outer gearing wheel side

CV Joint  
without ABS ring  
49  
72.4  
137  
20  
21  
Wheel Side

**References**

3272.FW

3273.EA

**Application info**

C2 / C3 I / Pluriel (02/02--)

4



### C.V. joint kit

40-14 498 0023 | MCV0313

#### Notes

CV Joint  
without ABS ring

Seal Diameter [mm] 48  
Outer diameter [mm] 75.6  
Length [mm] 140.5  
Internal Teeth, wheel side 21  
Outer gearing wheel side 21  
Wheel Side

#### References

3272.ES 3273.ES



#### Application info

C2 / C3 I / Pluriel (02/02--)

### C.V. joint kit

11-14 498 0018 | MCV0094

#### Notes

CV Joint  
without ABS ring

Seal Diameter [mm] 60  
Outer diameter [mm] 79.5  
Length [mm] 134  
Internal Teeth, wheel side 22  
Outer gearing wheel side 25  
Front Axle Right  
Wheel Side

#### References

3273.AH 3273.KP  
3273.AJ



#### Application info

C4 I / Coupe / Grand Picasso / Picasso / Stufenheck (11/04--)

### C.V. joint kit

40-14 498 0009 | MCV0311

#### Notes

CV Joint  
without ABS ring

Seal Diameter [mm] 54.8  
Outer diameter [mm] 90  
Length [mm] 134.5  
Internal Teeth, wheel side 34  
Outer gearing wheel side 25  
Wheel Side

#### References

3273.N2



**40-14 498 0009 | MCV0311**

**C.V. joint kit**

**Application info**

Xantia [03/93-04/03]

**11-14 498 0053 | MCV0503**

**C.V. joint kit**



**Notes**

Seal Diameter [mm]	CV Joint
Thread Size	48.3
Length [mm]	M20x1,5
Internal Teeth, wheel side	142
Outer gearing wheel side	34
	21
	Wheel Side

**References**

3272.NR	3273.NR
3272.VP	3273.WA

**Application info**

C3 II [09/09--]  
C2 / C3 I / Pluriel [02/02--]

DS3 [11/09-12/16]

**214 498 0071 | MCV0483**

**C.V. joint kit**



**Notes**

Seal Diameter [mm]	CV Joint with ABS ring
Length [mm]	71.5
Internal Teeth, wheel side	198
Outer gearing wheel side	29
	35
	Wheel Side

**References**

16 085 054 80	3273.PK
16 085 055 80	

**Application info**

Jumper III [04/06--]



### C.V. joint kit

11-14 498 0020 | MCV0096

#### Notes

	CV Joint without ABS ring
Seal Diameter [mm]	58.6
Outer diameter [mm]	100.3
Length [mm]	157
Internal Teeth, wheel side	39
Outer gearing wheel side	28
	Wheel Side

#### References

3273.SV	3273.SW
---------	---------



#### Application info

C5 III (RD\_, TD\_) [02/08--]

DS5 [09/11-07/15]

### C.V. joint kit

40-14 498 0051 | MCV0452

#### Notes

	CV Joint
Outer diameter [mm]	100.5
Length [mm]	157
Internal Teeth, wheel side	39
Outer gearing wheel side	28
	Wheel Side
	Front Axle Right

#### References

3273.SV	96 442 929 80
3273.SW	



#### Application info

C5 III (RD\_, TD\_) [02/08--]

DS5 [09/11-07/15]

### C.V. joint kit

40-14 498 0065 | MCV0460

#### Notes

	Tripod Joint
Outer diameter [mm]	88.5
Length [mm]	494.5
Outer teething differential side	37
Internal Teeth, wheel side	39
	transmission side
	Front Axle Right

#### References

3273.SV	3273.SW
---------	---------



#### Application info

C5 III (RD\_, TD\_) [02/08--]

DS5 [09/11-07/15]

4

**40-14 498 0001 | MCV0305**

**C.V. joint kit**



**Notes**

Seal Diameter [mm]  
Outer diameter [mm]  
Length [mm]  
Internal Teeth, wheel side  
Outer gearing wheel side

CV Joint  
without ABS ring  
56  
84  
139  
22  
21  
Wheel Side

**References**

95 598 210

**Application info**

C15 / Visa [09/78-10/06]

**40-14 498 0000 | MCV0304**

**C.V. joint kit**



**Notes**

Seal Diameter [mm]  
Outer diameter [mm]  
Length [mm]  
Internal Teeth, wheel side  
Outer gearing wheel side

CV Joint  
without ABS ring  
54.8  
84  
127  
22  
25  
Wheel Side

**References**

3273.17  
3273.18  
3273.20  
3273.21  
3273.23  
3273.24  
3274.79

3274.80  
3274.82  
3274.83  
3274.85  
3274.86  
95 604 719

**Application info**

BX [10/82-12/94]

**40-14 498 0002 | MCV0306**

**C.V. joint kit**



**Notes**

Seal Diameter [mm]  
Outer diameter [mm]  
Length [mm]  
Internal Teeth, wheel side  
Outer gearing wheel side

CV Joint  
without ABS ring  
54.8  
90  
134.5  
23  
25  
Wheel Side

**References**

3272.10  
3273.79

95 615 878

### C.V. joint kit

40-14 498 0002 | MCV0306

#### Application info

BX [10/82-12/94]  
Xantia [03/93-04/03]

ZX [03/91-07/99]

### C.V. joint kit

214 498 0012 | MCV0130

#### Notes

Number of Teeth, ABS ring

Seal Diameter [mm]  
Outer diameter [mm]  
Length [mm]  
Internal Teeth, wheel side  
Outer gearing wheel side

CV Joint  
54  
with ABS ring  
63  
99  
175.5  
39  
28  
Wheel Side



#### References

9566722180

#### Application info

Jumper I [02/94-08/02]

Jumper II [02/02--]

### C.V. joint kit

214 498 0032 | MCV0146

#### Notes

Seal Diameter [mm]  
Outer diameter [mm]  
Length [mm]  
Internal Teeth, wheel side  
Outer gearing wheel side

CV Joint  
without ABS ring  
63  
99  
175.5  
39  
28  
Wheel Side



#### References

9566722180

#### Application info

Jumper I [02/94-08/02]

4

**214 498 0013 | MCV0131**

**C.V. joint kit**



**Notes**

Number of Teeth, ABS ring  
Seal Diameter [mm]  
Outer diameter [mm]  
Length [mm]  
Internal Teeth, wheel side  
Outer gearing wheel side

CV Joint  
54  
with ABS ring  
70  
115.5  
190  
45  
35  
Wheel Side

**References**

95 675 822 80

**Application info**

Jumper I [02/94-08/02]

Jumper II [02/02--]

**40-14 498 0005 | MCV0308**

**C.V. joint kit**



**Notes**

Number of Teeth, ABS ring  
Seal Diameter [mm]  
Outer diameter [mm]  
Length [mm]  
Internal Teeth, wheel side  
Outer gearing wheel side

CV Joint  
48  
with ABS ring  
56  
90  
134.5  
23  
25  
Wheel Side

**References**

96 141 635

96 164 213

**Application info**

Xantia [03/93-04/03]

**40-14 498 0003 | MCV0307**

**C.V. joint kit**



**Notes**

Number of Teeth, ABS ring  
Seal Diameter [mm]  
Outer diameter [mm]  
Length [mm]  
Internal Teeth, wheel side  
Outer gearing wheel side

CV Joint  
48  
with ABS ring  
55.7  
90  
134  
34  
25  
Wheel Side

**References**

96 141 637

### C.V. joint kit

40-14 498 0003 | MCV0307

#### Application info

Xantia (03/93-04/03)

### C.V. joint kit

40-14 498 0010 | MCV0312

#### Notes

	CV Joint
Number of Teeth, ABS ring	48 with ABS ring
Seal Diameter [mm]	59
Outer diameter [mm]	90
Length [mm]	137
Internal Teeth, wheel side	34
Outer gearing wheel side	27 Wheel Side

#### References

96 199 475 80                      96 199 476 80



#### Application info

Evasion (03/94-10/02)

Jumpy I (06/94-12/06)

### C.V. joint kit

11-14 498 0051 | MCV0499

#### Notes

	CV Joint
Seal Diameter [mm]	59
Thread Size	M22X1,5
Length [mm]	149
Internal Teeth, wheel side	34
Outer gearing wheel side	28 Wheel Side

#### References

16 105 615 80                      98 066 998 80  
 16 133 066 80                      98 087 714 80  
 16 173 005 80                      98 095 283 80  
 96 775 614 80                      98 111 764 80  
 96 779 151 80                      98 111 767 80

#### Application info

C4 II / DS4 (02/09--)  
 C4 Cactus (09/14--)  
 C4 Grand Picasso II (01/13--)

C4 SPACETOURER / GRAND SPACETOURER (04/18--)  
 C5 AIRCROSS (11/18--)

**214 498 0037 | MCV0150**

**C.V. joint kit**



**Notes**

Seal Diameter [mm]  
Outer diameter [mm]  
Length [mm]  
Internal Teeth, wheel side  
Outer gearing wheel side

CV Joint  
without ABS ring  
58  
92  
143.5  
28  
27  
Wheel Side

**Application info**

C8 (06/02--)

**214 498 0082 | MCV0485**

**C.V. joint kit**



**Notes**

Seal Diameter [mm]  
Length [mm]  
Internal Teeth, wheel side  
Outer gearing wheel side

CV Joint  
with ABS ring  
106  
198  
29  
35  
Front Axle  
Wheel Side

**Application info**

Jumper III (04/06--)

**714 137 0002 | MHK0048**

**Hydraulic filter kit, A/T**



**Notes**

Transmission Type  
Transmission Type  
Transmission Type  
Transmission Type

Set  
with seal  
MPS6 POWERSHIFT  
SPS6 POWERSHIFT  
DCT470  
DCT450  
6-Speed Automatic Transmission  
Dual-Clutch Transmission  
GETRAG  
with cap

Manufacturer Restriction

**References**

2267.09

**Application info**

C-Crosser (02/07--)



**Hydraulic filter, A/T**
**11-14 136 0001 | MHF0049**
**Notes**

 Transmission Type  
 Transmission Type

 Piece  
 DP0  
 AL4  
 4-Speed Automatic Transmission  
 Suction Filter

**References**

2263.33


**Application info**

 Evasion [03/94-10/02]  
 Xantia [03/93-04/03]  
 ZX [03/91-07/99]  
 Xsara Picasso [09/99-06/12]  
 Jumpy I [06/94-12/06]  
 C8 [06/02--]  
 C5 I / C5 II [03/01--]  
 Jumpy II [01/07--]

 C5 III [RD\_, TD\_] [02/08--]  
 C3 II [09/09--]  
 C4 I / Coupe / Grand Picasso / Picasso / Stufenheck [11/04--]  
 C2 / C3 I / Pluriel [02/02--]  
 Xsara [04/97-03/10]  
 C Elyse [11/12--]  
 DS3 [11/09-12/16]  
 C4 II / DS4 [02/09--]

**Parts kit, automatic transm. oil change**
**11-14 135 0001 | MOK0069**
**Notes**

 Transmission Type  
 Transmission Type  
 Transmission Type  
 Transmission Type

 Set  
 with accessories  
 DP2  
 DP0  
 AT8  
 AL4  
 4-Speed Automatic Transmission  
 PSA  
 4

 Manufacturer Restriction  
 Content [litre]

**References**

2209.40

9730.AE

**Parts list**

014 019 2300 | MAX0015

Transmission fluid


**Application info**

 Evasion [03/94-10/02]  
 Xsara Picasso [09/99-06/12]  
 Jumpy I [06/94-12/06]  
 C8 [06/02--]  
 C5 I / C5 II [03/01--]  
 C3 II [09/09--]

 C4 I / Coupe / Grand Picasso / Picasso / Stufenheck [11/04--]  
 C2 / C3 I / Pluriel [02/02--]  
 Xsara [04/97-03/10]  
 C Elyse [11/12--]  
 DS3 [11/09-12/16]  
 C4 II / DS4 [02/09--]

**714 135 0102 | MOK0082**

**Parts kit, automatic transm. oil change**



**Notes**

Transmission Type  
Transmission Type  
Transmission Type  
Transmission Type

Set  
SPS6 POWERSHIFT  
MPS6 POWERSHIFT  
DCT470  
DCT450  
6-Speed Dual-Clutch Trans-  
mission  
GETRAG  
8

Manufacturer Restriction  
Content [litre]

**References**

2267.09

**Parts list**

014 019 3700 | MAX0039  
714 137 0002 | MHK0048

Transmission fluid  
Hydraulic filter kit, A/T

**Application info**

C-Crosser (02/07--)

**714 135 0102/XK | MOK0153**

**Parts kit, automatic transm. oil change**



**Notes**

Alternative Repair Kit  
Transmission Type  
Transmission Type  
Transmission Type  
Transmission Type

Set  
714 135 0102  
SPS6 POWERSHIFT  
MPS6 POWERSHIFT  
DCT470  
DCT450  
6-Speed Dual-Clutch Trans-  
mission  
GETRAG  
10

Manufacturer Restriction  
Content [litre]

**References**

2267.09

**Parts list**

014 019 3700 | MAX0039  
714 137 0002 | MHK0048

Transmission fluid  
Hydraulic filter kit, A/T

**Application info**

C-Crosser (02/07--)



## ABS wheel sensor

11-14 800 0016 | MAS0388

### Notes

Operating voltage [V]	Active sensor
Number of pins	12
Required quantity	2
	Rear Axle left and right

### References

4545.08	4545.L0
---------	---------



### Application info

C4 I / Coupe / Grand Picasso / Picasso / Stufenheck [11/04--]      C4 II / DS4 [02/09--]

## ABS wheel sensor

11-14 800 0004 | MAS0260

### Notes

Cable Length [mm]	Passive sensor
Operating voltage [V]	1210
Number of pins	12
Resistor [Ohm]	2
	1550

### References

4545.32	4545.45
---------	---------



### Application info

Berlingo I [07/96-12/11]

## ABS wheel sensor

11-14 800 0005 | MAS0261

### Notes

Cable Length [mm]	Passive sensor
Operating voltage [V]	720
Number of pins	12
Resistor [Ohm]	2
	1550
	Rear Axle left and right

### References

4545.33	4545.46
4545.36	4545.56



### Application info

ZX [03/91-07/99]      Xsara [04/97-03/10]

5

11-14 899 0010 | MAS0081

ABS wheel sensor



Notes

Cable Length [mm]  
Operating voltage [V]  
Number of pins  
Required quantity  
Resistor [Ohm]

Inductive Sensor  
810  
12  
2  
2  
1680  
Rear Axle left and right

References

4545.50  
96 217 756

96 227 489

Application info

ZX [03/91-07/99]

Xsara [04/97-03/10]

11-14 899 0016 | MAS0086

ABS wheel sensor



Notes

Cable Length [mm]  
Operating voltage [V]  
Number of pins  
Required quantity  
Resistor [Ohm]

Passive sensor  
480  
12  
2  
2  
1150  
Front Axle left and right

References

4545.57

Application info

Saxo [02/96-04/04]

11-14 899 0000 | MAS0073

ABS wheel sensor



Notes

Cable Length [mm]  
Operating voltage [V]  
Number of pins  
Required quantity  
Resistor [Ohm]

Inductive Sensor  
740  
12  
2  
2  
1100  
Rear Axle left and right

References

4545.74

Application info

Xantia [03/93-04/03]

**ABS wheel sensor**

**11-14 800 0003 | MAS0241**

**Notes**

Operating voltage [V]	12
Cable Length [mm]	860
Number of pins	2
Required quantity	2
Resistor [Ohm]	1700
	Rear Axle left and right

**References**

4545.75



**Application info**

Evasion [03/94-10/02]

Jumpy I [06/94-12/06]

**ABS wheel sensor**

**40-14 800 0012 | MAS0266**

**Notes**

Operating voltage [V]	12
Cable Length [mm]	980
Number of pins	2
Required quantity	2
Resistor [Ohm]	1550
	Front Axle left and right

**References**

4545.66

4545.78



**Application info**

Xsara Picasso [09/99-06/12]

Xsara [04/97-03/10]

**ABS wheel sensor**

**40-14 800 0011 | MAS0246**

**Notes**

Operating voltage [V]	12
Cable Length [mm]	700
Number of pins	2
Required quantity	2
Resistor [Ohm]	1100
	Rear Axle left and right

**References**

4545.80



**Application info**

Saxo [02/96-04/04]

5

11-14 899 0023 | MAS0596

ABS wheel sensor



Notes

Operating voltage [V]	Passive sensor
Number of pins	12
Required quantity	2
	1
	Rear Axle left and right

References

4545.85	96 382 908
---------	------------

Application info

Berlingo I [07/96-12/11]

Xsara Picasso [09/99-06/12]

40-14 800 0001 | MAS0190

ABS wheel sensor



Notes

Cable Length [mm]	Hall Sensor
Operating voltage [V]	1210
Number of pins	12
Required quantity	2
	2
	Front Axle left and right

References

4545.86

Application info

C5 I / C5 II [03/01--]

214 800 0017 | MAS0263

ABS wheel sensor



Notes

Operating voltage [V]	Passive sensor
Cable Length [mm]	12
Number of pins	1340
Required quantity	2
Resistor [Ohm]	2
	1680
	Front Axle left and right

References

4545.90

Application info

Jumper I [02/94-08/02]

Jumper II [02/02--]

### ABS wheel sensor

40-14 800 0014 | MAS0268

#### Notes

Cable Length [mm]	Hall Sensor
Operating voltage [V]	765
Number of pins	12
Required quantity	2
	1
	Front Axle Left

#### References

4545.94

#### Counterpart

40-14 800 0015 | MAS0269



#### Application info

C8 (06/02--)

### ABS wheel sensor

40-14 800 0015 | MAS0269

#### Notes

Cable Length [mm]	Hall Sensor
Operating voltage [V]	775
Number of pins	12
Required quantity	2
	1
	Front Axle Right

#### References

4545.95

#### Counterpart

40-14 800 0014 | MAS0268



#### Application info

C8 (06/02--)

### ABS wheel sensor

40-14 800 0016 | MAS0279

#### Notes

Cable Length [mm]	Hall Sensor
Operating voltage [V]	920
Number of pins	12
Required quantity	2
	2
	Rear Axle left and right

#### References

4545.96



#### Application info

C8 (06/02--)

40-14 800 0002 | MAS0191

ABS wheel sensor



Notes

Cable Length [mm]  
Operating voltage [V]  
Number of pins  
Required quantity

Hall Sensor  
1045  
12  
2  
2  
Front Axle left and right

References

4545.97

Application info

C3 II (09/09--)

C2 / C3 I / Pluriel (02/02--)

40-14 800 0003 | MAS0192

ABS wheel sensor



Notes

Cable Length [mm]  
Operating voltage [V]  
Number of pins  
Required quantity

Hall Sensor  
705  
12  
2  
2  
Rear Axle left and right

References

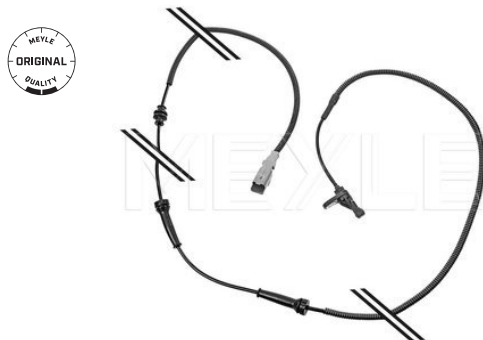
4545.98

Application info

C2 / C3 I / Pluriel (02/02--)

40-14 800 0013 | MAS0267

ABS wheel sensor



Notes

Cable Length [mm]  
Operating voltage [V]  
Number of pins  
Required quantity

Hall Sensor  
1620  
12  
2  
2  
Rear Axle left and right

References

4545.A5

Application info

C5 I / C5 II (03/01--)





## ABS wheel sensor

11-14 899 0003 | MAS0075

### Notes

Cable Length [mm]	Hall Sensor
Operating voltage [V]	640
Number of pins	12
Required quantity	2
	2
	Front Axle left and right

### References

4545.C1



### Application info

C4 I / Coupe / Grand Picasso / Picasso / Stufenheck (11/04--)

## ABS wheel sensor

11-14 899 0004 | MAS0076

### Notes

Cable Length [mm]	Hall Sensor
Operating voltage [V]	775
Number of pins	12
Required quantity	2
	2
	Rear Axle left and right

### References

4545.C2

96 526 967



### Application info

C4 I / Coupe / Grand Picasso / Picasso / Stufenheck (11/04--)

## ABS wheel sensor

11-14 899 0005 | MAS0077

### Notes

Cable Length [mm]	Hall Sensor
Operating voltage [V]	900
Number of pins	12
Required quantity	2
	2
	Rear Axle left and right

### References

4545.C4

96 461 258

96 584 207



### Application info

C4 I / Coupe / Grand Picasso / Picasso / Stufenheck (11/04--)

40-14 899 0002 | MAS0569

ABS wheel sensor



Notes

Operating voltage [V]  
Number of pins  
Required quantity

Active sensor  
12  
2  
1  
Front Axle left and right

References

4545.C7 96 469 712

Application info

Xsara Picasso [09/99-06/12]

11-14 899 0034 | MAS0646

ABS wheel sensor



Notes

Operating voltage [V]  
Number of pins  
Required quantity

Active sensor  
12  
2  
1  
Front Axle left and right

References

4545.C8 96 469 725 80

Application info

Berlingo I [07/96-12/11]

11-14 899 0031 | MAS0628

ABS wheel sensor



Notes

Operating voltage [V]  
Number of pins  
Required quantity

Active sensor  
12  
2  
1  
Rear Axle Left

References

4545.C9 96 469 709 80

Application info

Berlingo I [07/96-12/11]

Xsara Picasso [09/99-06/12]



## ABS wheel sensor

40-14 800 0019 | MAS0318

### Notes

Cable Length [mm]	Hall Sensor
Operating voltage [V]	745
Number of pins	12
Required quantity	2
	2
	Front Axle left and right

### References

4545.E1



### Application info

C1 [06/05-09/14]

## ABS wheel sensor

40-14 800 0020 | MAS0319

### Notes

Operating voltage [V]	Hall Sensor
Cable Length [mm]	12
Number of pins	875
Required quantity	2
	with fastening material
	2
	Rear Axle left and right

### References

4545.E2

8000698180



### Application info

C1 [06/05-09/14]

## ABS wheel sensor

11-14 800 0007 | MAS0315

### Notes

Cable Length [mm]	Hall Sensor
Operating voltage [V]	675
Number of pins	12
Required quantity	2
	2
	Rear Axle left and right

### References

4545.E5



### Application info

C3 Picasso [02/09--]

11-14 899 0032 | MAS0629

ABS wheel sensor



Notes

Operating voltage [V]  
Number of pins  
Required quantity

Active sensor  
12  
2  
1  
Rear Axle Right

References

4545.E6  
96 585 998

96 585 998 80

Application info

Berlingo I [07/96-12/11]

Xsara Picasso [09/99-06/12]

40-14 800 0025 | MAS0321

ABS wheel sensor



Notes

Cable Length [mm]  
Operating voltage [V]  
Number of pins  
Required quantity

Active sensor  
620  
12  
2  
2  
Front Axle left and right

References

4545.E7

Application info

C4 I / Coupe / Grand Picasso / Picasso / Stufenheck [11/04--]

Berlingo II [04/08--]

40-14 800 0024 | MAS0352

ABS wheel sensor



Notes

Cable Length [mm]  
Operating voltage [V]  
Number of pins  
Required quantity

Active sensor  
915  
12  
2  
2  
Rear Axle left and right

References

4545.E8

Application info

C4 I / Coupe / Grand Picasso / Picasso / Stufenheck [11/04--]

Berlingo II [04/08--]

### ABS wheel sensor

11-14 800 0008 | MAS0327

#### Notes

Operating voltage [V]	Hall Sensor
Cable Length [mm]	12
Number of pins	870
	2
Required quantity	with screw
	2
	Front Axle left and right

#### References

14 99 936 080	4545.E9
---------------	---------



#### Application info

Jumpy II (01/07--)

### ABS wheel sensor

11-14 800 0009 | MAS0281

#### Notes

Cable Length [mm]	Hall Sensor
Operating voltage [V]	1410
Number of pins	12
Required quantity	2
	2
	Rear Axle left and right

#### References

4545.F0



#### Application info

Jumpy II (01/07--)

### ABS wheel sensor

40-14 800 0021 | MAS0351

#### Notes

Cable Length [mm]	Hall Sensor
Operating voltage [V]	1070
Number of pins	12
Required quantity	2
	2
	Front Axle left and right

#### References

4545.F1



#### Application info

Jumper III (04/06--)

40-14 800 0022 | MAS0320

ABS wheel sensor



Notes

Cable Length [mm]  
Operating voltage [V]  
Number of pins  
Required quantity

Hall Sensor  
735  
12  
2  
2  
Rear Axle left and right

References

4545.F6

Application info

C4 I / Coupe / Grand Picasso / Picasso / Stufenheck [11/04--]

11-14 800 0002 | MAS0072

ABS wheel sensor



Notes

Cable Length [mm]  
Operating voltage [V]  
Number of pins  
Required quantity

Active sensor  
1185  
12  
2  
with screw  
2  
Front Axle left and right

References

4545.A9

4545.G6

Application info

C6 [09/05-12/12]

11-14 899 0019 | MAS0089

ABS wheel sensor



Notes

Cable Length [mm]  
Operating voltage [V]  
Number of pins  
Required quantity

Hall Sensor  
1762  
12  
2  
2  
Rear Axle left and right

References

4545.C0

4545.G7

Application info

C6 [09/05-12/12]

### ABS wheel sensor

11-14 899 0033 | MAS0637

#### Notes

Operating voltage [V] 12  
 Number of pins 2  
 Required quantity 1  
 Rear Axle left and right



#### References

4545.F8 4545.H2

#### Application info

Jumper III (04/06--)

### ABS wheel sensor

40-14 800 0007 | MAS0265

#### Notes

Operating voltage [V] 12  
 Cable Length [mm] 1190  
 Number of pins 2  
 Required quantity 2  
 with screw  
 Front Axle left and right



#### References

4545.H5

#### Application info

C6 (09/05-12/12)

C5 III (RD\_, TD\_) (02/08--)

### ABS wheel sensor

40-14 800 0008 | MAS0278

#### Notes

Operating voltage [V] 12  
 Cable Length [mm] 1750  
 Number of pins 2  
 Required quantity 2  
 with fastening material  
 Rear Axle left and right



#### References

4545.H6

#### Application info

C6 (09/05-12/12)

C5 III (RD\_, TD\_) (02/08--)

5

40-14 800 0027 | MAS0357

ABS wheel sensor



Notes

Operating voltage [V]  
Length [mm]  
Number of pins  
Required quantity

Active sensor  
12  
1259  
2  
2  
Front Axle left and right

References

4545.H9 4545.K6

Application info

C6 [09/05-12/12]

C5 III (RD\_, TD\_) [02/08--]

40-14 800 0026 | MAS0356

ABS wheel sensor



Notes

Operating voltage [V]  
Length [mm]  
Number of pins  
Required quantity

Active sensor  
12  
1762  
2  
2  
Rear Axle left and right

References

4545.J0

Application info

C6 [09/05-12/12]

C5 III (RD\_, TD\_) [02/08--]

11-14 800 0012 | MAS0316

ABS wheel sensor



Notes

Cable Length [mm]  
Operating voltage [V]  
Number of pins  
Required quantity

Hall Sensor  
690  
12  
2  
2  
Rear Axle left and right

References

4545.J8

Application info

C3 Picasso [02/09--]

C Elyse [11/12--]



### ABS wheel sensor

11-14 800 0011 | MAS0328

#### Notes

Cable Length [mm]	Hall Sensor
Operating voltage [V]	965
Number of pins	12
Required quantity	2
	2
	Front Axle left and right

#### References

4545.E4	4545.J9
---------	---------



#### Application info

C3 Picasso [02/09--]  
C3 II [09/09--]

C Elyse [11/12--]  
C4 Cactus [09/14--]

### ABS wheel sensor

11-14 899 0022 | MAS0510

#### Notes

Operating voltage [V]	Active sensor
Number of pins	12
Required quantity	2
	1
	Rear Axle left and right

#### References

4545.K0
---------



#### Application info

C3 II [09/09--]

DS3 [11/09-12/16]

### ABS wheel sensor

40-14 800 0023 | MAS0289

#### Notes

Cable Length [mm]	Active sensor
Operating voltage [V]	645
Number of pins	12
Required quantity	2
	2
	Front Axle left and right

#### References

4545.F5	4545.K3
---------	---------



#### Application info

C4 I / Coupe / Grand Picasso / Picasso / Stufenheck [11/04--]  
DS5 [09/11-07/15]

C4 II / DS4 [02/09--]

11-14 899 0025 | MAS0600

ABS wheel sensor



Notes

Operating voltage [V]	Passive sensor
Number of pins	12
Required quantity	2
	1
	Rear Axle left and right

References

4545.62	96 218 046
---------	------------

Application info

Berlingo I [07/96-12/11]

11-14 899 0024 | MAS0595

ABS wheel sensor



Notes

Operating voltage [V]	Active sensor
Number of pins	12
Required quantity	2
	1
	Front Axle left and right

References

96 748 522 80

Application info

C4 II / DS4 [02/09--]  
C4 Grand Picasso II [01/13--]

C4 SPACETOURER / GRAND SPACETOURER [04/18--]

11-14 899 0029 | MAS0626

ABS wheel sensor



Notes

Operating voltage [V]	Active sensor
Number of pins	12
Required quantity	2
	1
	Rear Axle left and right

References

98 00 035 980

Application info

C3 II [09/09--]  
DS3 [11/09-12/16]

C4 Cactus [09/14--]

### ABS wheel sensor

11-14 899 0030 | MAS0627

#### Notes

Operating voltage [V] 12  
 Number of pins 2  
 Required quantity 1  
 Rear Axle left and right



#### References

98 000 385 80

#### Application info

C4 II / DS4 [02/09--]

C4 Grand Picasso II [01/13--]

### ABS wheel sensor

11-14 899 0028 | MAS0636

#### Notes

Operating voltage [V] 12  
 Number of pins 2  
 Required quantity 1  
 Rear Axle left and right



#### References

98 050 660 80

98 050 665 80

#### Application info

C3 Picasso [02/09--]  
 C Elyse [11/12--]

C3 III [07/16--]

### ABS wheel sensor

11-14 899 0026 | MAS0609

#### Notes

Operating voltage [V] 12  
 Number of pins 2  
 Required quantity 1  
 Rear Axle left and right



#### References

98 000 384 80



#### Application info

C4 II / DS4 [02/09--]  
 C4 Grand Picasso II [01/13--]

C4 SPACETOURER / GRAND SPACETOURER [04/18--]

40-14 800 0028 | MAS0400

ABS wheel sensor



Notes

Cable Length [mm]	Hall Sensor
Operating voltage [V]	890
Number of pins	12
Required quantity	2
	Rear Axle left and right

References

16 271 626 80	4545.H1
---------------	---------

Application info

Jumper III (04/06--)

11-14 880 0009 | MEX0665

Control unit, glow plug system



Notes

Number of Cylinders	4
Height [mm]	90.2
Width [mm]	30
Operating voltage [V]	12
Length [mm]	48.5
Number of pins	8

References

5981.47	98 024 240 80
---------	---------------

Application info

- |   |                               |
|---|-------------------------------|
| C5 III (RD_, TD_) (02/08--)                                   | DS3 (11/09-12/16)             |
| C3 Picasso (02/09--)  | C4 II / DS4 (02/09--)         |
| C3 II (09/09--)   | Berlingo II (04/08--)         |
| C4 I / Coupe / Grand Picasso / Picasso / Stufenheck (11/04--) | C4 Cactus (09/14--)           |
| DS5 (09/11-07/15)   | C4 Grand Picasso II (01/13--) |
| C4 AIRCROSS (08/10--)   |                               |

11-14 880 0010 | MEX0666

Control unit, glow plug system



Notes

Number of Cylinders	4
Height [mm]	90
Width [mm]	39
Operating voltage [V]	12
Length [mm]	48
Number of pins	8

References

98 032 997 80
---------------

**Control unit, glow plug system**

**11-14 880 0010 | MEX0666**

**Application info**

Jumper III (04/06--)  
C5 III (RD\_, TD\_) (02/08--)  
C3 Picasso (02/09--)  
C3 II (09/09--)  
DS5 (09/11-07/15)  
C Elyse (11/12--)  
DS3 (11/09-12/16)  
C4 II / DS4 (02/09--)

Berlingo II (04/08--)  
C4 Cactus (09/14--)  
C4 Grand Picasso II (01/13--)  
Jumpy III (04/16--)  
Spacetourer (04/16--)  
C3 III (07/16--)  
C3 AIRCROSS II (06/17--)

**Crank position sensor**

**214 810 0001 | MPS0098**

**Notes**

Operating voltage [V]  
Number of pins

Passive sensor  
12  
3

**References**

16 129 074 80                      1920.EW



**Application info**

Jumper II (02/02--)

**Crank position sensor**

**11-14 810 0003 | MPS0096**

**Notes**

Operating voltage [V]  
Number of pins

White  
12  
2

**References**

1920.5V                                  96 399 999 80  
1920.AV



**Application info**

Saxo (02/96-04/04)  
C4 I / Coupe / Grand Picasso / Picasso / Stufenheck (11/04--)  
C2 / C3 I / Pluriel (02/02--)

Xsara (04/97-03/10)  
C Elyse (11/12--)

40-14 800 0009 | MPS0061

Crank position sensor



Notes

Fitting Depth [mm]  
Operating voltage [V]  
Number of pins

Passive sensor  
17.2  
12  
2  
without seal ring  
without cable

References

1920.AW

Application info

AX (07/86-12/98)  
Saxo (02/96-04/04)  
Berlingo I (07/96-12/11)  
Xsara Picasso (09/99-06/12)  
Nemo (02/08--)

C3 II (09/09--)  
C4 I / Coupe / Grand Picasso / Picasso / Stufenheck (11/04--)  
C2 / C3 I / Pluriel (02/02--)  
Xsara (04/97-03/10)  
C Elyse (11/12--)

214 810 0004 | MPS0101

Crank position sensor



Notes

Operating voltage [V]  
Number of pins

Passive sensor  
12  
3

References

1920.CP

Application info

Jumper I (02/94-08/02)

Jumper II (02/02--)

40-14 800 0004 | MPS0049

Crank position sensor



Notes

Operating voltage [V]  
Number of pins

Black  
Active sensor  
12  
3  
without cable

References

1920.EH  
96 372 208

96 374 669

### Crank position sensor

40-14 800 0004 | MPS0049

#### Application info

Berlingo I (07/96-12/11)  
 Xsara Picasso (09/99-06/12)  
 C8 (06/02--)  
 C5 I / C5 II (03/01--)  
 C1 (06/05-09/14)  
 C6 (09/05-12/12)  
 Jumpy II (01/07--)

C5 III (RD\_, TD\_) (02/08--)  
 C3 II (09/09--)  
 C4 I / Coupe / Grand Picasso / Picasso / Stufenheck (11/04--)  
 C2 / C3 I / Pluriel (02/02--)  
 C-Crosser (02/07--)  
 C4 II / DS4 (02/09--)

### Crank position sensor

40-14 800 0010 | MPS0052

#### Notes

	Grey
	Passive sensor
Operating voltage [V]	12
Fitting Depth [mm]	24
Number of pins	2
Resistor [Ohm]	without cable 400

#### References

1920.EN

1920.FP



#### Application info

Berlingo I (07/96-12/11)  
 Xsara Picasso (09/99-06/12)  
 C8 (06/02--)  
 C5 I / C5 II (03/01--)

Jumpy II (01/07--)  
 C4 I / Coupe / Grand Picasso / Picasso / Stufenheck (11/04--)  
 Xsara (04/97-03/10)

### Crank position sensor

214 899 0001 | MPS0046

#### Notes

	Passive sensor
Operating voltage [V]	12
Fitting Depth [mm]	38.5
Number of pins	2
	without seal ring without cable

#### References

1920.SQ



#### Application info

Nemo (02/08--)

5

11-14 810 0004 | MPS0105

Crank position sensor



Notes

Operating voltage [V]  
Number of pins

Active sensor  
12  
3  
without seal ring  
without cable

References

1920.GJ  
96 436 957 80

96 648 938 80

Application info

C8 (06/02--)  
C5 I / C5 II (03/01--)  
Jumpy II (01/07--)

C5 III (RD\_, TD\_) (02/08--)  
C4 I / Coupe / Grand Picasso / Picasso / Stufenheck (11/04--)

314 810 0009 | MPS0076

Crank position sensor



Notes

Operating voltage [V]  
Number of pins

Active sensor  
12  
3

References

1920.PW

96 643 873 80

Application info

Berlingo I (07/96-12/11)  
Xsara Picasso (09/99-06/12)  
C8 (06/02--)  
C5 I / C5 II (03/01--)  
C1 (06/05-09/14)  
C6 (09/05-12/12)  
Jumpy II (01/07--)  
C3 Picasso (02/09--)  
Nemo (02/08--)  
C3 II (09/09--)  
C4 I / Coupe / Grand Picasso / Picasso / Stufenheck (11/04--)

C2 / C3 I / Pluriel (02/02--)  
C-Crosser (02/07--)  
DS5 (09/11-07/15)  
C4 AIRCROSS (08/10--)  
C Elyse (11/12--)  
DS3 (11/09-12/16)  
C4 II / DS4 (02/09--)  
Berlingo II (04/08--)  
C4 Cactus (09/14--)  
C4 Grand Picasso II (01/13--)



**Glow plug**
**214 860 0006 | MGP0096**
**Notes**

	Flame Glow Plug
Spanner Size	21 / 24
Thread Size	M10 x 1
Thread Size	M20 x 1,5
Overall Length [mm]	96
Connector type	M5
Rated Voltage [V]	11

**References**

0328.09


**Application info**

Jumper I [02/94-08/02]

Jumper II [02/02--]

**Glow plug**
**32-14 860 0007 | MGP0131**
**Notes**

	after-glow capable Pencil-type Glow Plug
Spanner Size	10
Thread Size	M10 X 1,25
Overall Length [mm]	159.5
Connector type	Pin Ø 4 mm
Cone Pitch	93
Rated Voltage [V]	11
Fitting Depth [mm]	28.5

**References**

16 078 499 80


**Application info**

C4 AIRCROSS [08/10--]

**Glow plug**
**214 860 0003 | MGP0038**
**Notes**

	after-glow capable Pencil-type Glow Plug
Spanner Size	8
Thread Size	M8 x 1
Overall Length [mm]	151.5
Cone Pitch	93°
Fitting Depth [mm]	39.5
Connector type	Pin Ø 4 mm
Rated Voltage [V]	11

**References**

 16 371 708 80  
 5960.A4

5960.K4



214 860 0003 | MGP0038

Glow plug

Application info

Jumper III (04/06--)

40-14 860 0006 | MGP0115

Glow plug



Notes

Spanner Size  
Thread Size  
Overall Length [mm]  
Connector type  
Cone Pitch  
Rated Voltage [V]  
Fitting Depth [mm]

after-glow capable  
Pencil-type Glow Plug  
8  
M8 x 1  
112  
Pin Ø 4 mm  
123  
5  
28

References

5960.E6

5960 K6

Application info

Berlingo I (07/96-12/11)  
C8 (06/02--)  
Jumper III (04/06--)  
Jumpy II (01/07--)  
C5 III (RD\_, TD\_) (02/08--)  
C3 Picasso (02/09--)  
C3 II (09/09--)  
C4 I / Coupe / Grand Picasso / Picasso / Stufenheck (11/04--)  
DS5 (09/11-07/15)  
C4 AIRCROSS (08/10--)  
C Elyse (11/12--)  
DS3 (11/09-12/16)

C4 II / DS4 (02/09--)  
Berlingo II (04/08--)  
C4 Cactus (09/14--)  
C4 Grand Picasso II (01/13--)  
Jumpy III (04/16--)  
Spacetourer (04/16--)  
C3 III (07/16--)  
C3 AIRCROSS II (06/17--)  
C4 SPACETOURER / GRAND SPACETOURER (04/18--)  
Berlingo III (06/18--)  
C5 AIRCROSS (11/18--)

53-14 860 0002 | MGP0116

Glow plug



Notes

Spanner Size  
Thread Size  
Overall Length [mm]  
Connector type  
Cone Pitch  
Rated Voltage [V]  
Fitting Depth [mm]

after-glow capable  
Pencil-type Glow Plug  
10  
M8 x 1  
124.5  
Pin Ø 4 mm  
93°  
7  
25

References

5960.E7

Application info

C6 (09/05-12/12)

C5 III (RD\_, TD\_) (02/08--)

**Glow plug**

**714 860 0002 | MGP0093**

**Notes**

	after-glow capable Pencil-type Glow Plug
Spanner Size	8
Thread Size	M8 x 1
Overall Length [mm]	118.5
Cone Pitch	123°
Fitting Depth [mm]	27.7
Rated Voltage [V]	11

**References**

5960.E9



**Application info**

Berlingo I [07/96-12/11]  
Xsara Picasso [09/99-06/12]  
C5 I / C5 II [03/01--]  
C3 Picasso [02/09--]  
C3 II [09/09--]

C4 I / Coupe / Grand Picasso / Picasso / Stufenheck [11/04--]  
C2 / C3 I / Pluriel [02/02--]  
Xsara [04/97-03/10]  
Berlingo II [04/08--]

**Glow plug**

**714 020 0004 | MGP0090**

**Notes**

	after-glow capable Pencil-type Glow Plug
Spanner Size	10
Thread Size	M10 x 1
Overall Length [mm]	118.6
Cone Pitch	63°
Fitting Depth [mm]	28
Rated Voltage [V]	11
Connector type	M4

**References**

5960.F4



**Application info**

Jumpy I [06/94-12/06]  
C8 [06/02--]  
Jumper II [02/02--]  
C5 I / C5 II [03/01--]

Jumpy II [01/07--]  
C5 III [RD\_, TD\_] [02/08--]  
C4 I / Coupe / Grand Picasso / Picasso / Stufenheck [11/04--]

714 020 0003 | MGP0089

Glow plug



Notes

	after-glow capable Pencil-type Glow Plug
Spanner Size	10
Thread Size	M10 x 1
Overall Length [mm]	107
Cone Pitch	63°
Fitting Depth [mm]	28
Connector type	M4
Rated Voltage [V]	11

References

5960.66	5960.F5
5960.67	

Application info

Evasion [03/94-10/02]  
Berlingo I [07/96-12/11]  
Xantia [03/93-04/03]  
Jumper I [02/94-08/02]  
Xsara Picasso [09/99-06/12]  
Jumpy I [06/94-12/06]

C8 [06/02--]  
Jumper II [02/02--]  
C5 I / C5 II [03/01--]  
C4 I / Coupe / Grand Picasso / Picasso / Stufenheck [11/04--]  
Xsara [04/97-03/10]

11-14 860 0000 | MGP0024

Glow plug



Notes

	after-glow capable Pencil-type Glow Plug
Spanner Size	10
Thread Size	M10 x 1
Overall Length [mm]	89
Cone Pitch	63°
Fitting Depth [mm]	30
Connector type	M4
Rated Voltage [V]	11

References

5960.69	5960.F6
---------	---------

Application info

AX [07/86-12/98]  
Saxo [02/96-04/04]  
Berlingo I [07/96-12/11]  
ZX [03/91-07/99]

Jumpy I [06/94-12/06]  
C15 / Visa [09/78-10/06]  
Xsara [04/97-03/10]

**Glow plug**
**514 860 0001 | MGP0098**
**Notes**

	after-glow capable Pencil-type Glow Plug
Spanner Size	8
Thread Size	M8 x 1
Overall Length [mm]	126
Cone Pitch	93°
Fitting Depth [mm]	24.5
Connector type	Pin Ø 4 mm
Rated Voltage [V]	11

**References**

5960.77	5960.F8
---------	---------


**Application info**

C6 [09/05-12/12]

C5 III [RD\_, TD\_] [02/08--]

**Glow plug**
**11-14 860 0001 | MGP0025**
**Notes**

	after-glow capable Pencil-type Glow Plug
Spanner Size	8
Thread Size	M8 x 1
Overall Length [mm]	124
Cone Pitch	123°
Fitting Depth [mm]	28
Connector type	Pin Ø 4 mm
Rated Voltage [V]	11

**References**

5960.79	5960.F9
---------	---------


**Application info**

 Berlingo I [07/96-12/11]  
 Xsara Picasso [09/99-06/12]  
 C5 I / C5 II [03/01--]  
 C1 [06/05-09/14]  
 Jumpy II [01/07--]  
 C5 III [RD\_, TD\_] [02/08--]  
 C3 Picasso [02/09--]

 Nemo [02/08--]  
 C3 II [09/09--]  
 C4 I / Coupe / Grand Picasso / Picasso / Stufenheck [11/04--]  
 C2 / C3 I / Pluriel [02/02--]  
 Xsara [04/97-03/10]  
 Berlingo II [04/08--]

714 020 0001 | MGP0087

Glow plug



Notes

	after-glow capable Pencil-type Glow Plug
Spanner Size	10
Thread Size	M10 x 1
Overall Length [mm]	147
Cone Pitch	93°
Fitting Depth [mm]	35
Connector type	M4
Rated Voltage [V]	11.5

References

5960.G2

Application info

Jumper III (04/06--)

40-14 860 0002 | MGP0069

Glow plug



Notes

	after-glow capable Pencil-type Glow Plug
Spanner Size	8
Thread Size	M8 x 1
Overall Length [mm]	97
Cone Pitch	123°
Fitting Depth [mm]	27.7
Rated Voltage [V]	11
Connector type	Pin Ø 4 mm

References

5960.A0

5960.G6

Application info

C8 (06/02--)  
C5 I / C5 II (03/01--)  
C6 (09/05-12/12)

C5 III (RD\_, TD\_) (02/08--)  
C-Crosser (02/07--)

014 020 1039 | MGP0007

Glow plug



Notes

	Pencil-type Glow Plug
Spanner Size	12
Thread Size	M12 x 1,25
Overall Length [mm]	72
Cone Pitch	63°
Fitting Depth [mm]	24.2
Rated Voltage [V]	11
Connector type	M5

References

5960.G7  
5962.3J

95 534 788  
E161003

**Glow plug**
**014 020 1039 | MGP0007**
**Application info**

 CX I [09/74-08/85]  
 Evasion [03/94-10/02]  
 AX [07/86-12/98]  
 BX [10/82-12/94]  
 Berlingo I [07/96-12/11]  
 Xantia [03/93-04/03]  
 ZX [03/91-07/99]

 C25 [07/81-07/94]  
 CX II [07/85-12/92]  
 XM [05/89-10/00]  
 Jumper I [02/94-08/02]  
 Jumpy I [06/94-12/06]  
 C15 / Visa [09/78-10/06]  
 Xsara [04/97-03/10]

**Glow plug**
**40-14 860 0000 | MGP0067**
**Notes**

	after-glow capable Pencil-type Glow Plug
Spanner Size	10
Thread Size	M10 x 1
Overall Length [mm]	120
Cone Pitch	93°
Fitting Depth [mm]	33
Connector type	M4
Rated Voltage [V]	11

**References**

5960.H6	5962.1Q
5962.1P	


**Application info**

Jumper I [02/94-08/02]

**Glow plug**
**714 860 0001 | MGP0092**
**Notes**

	Pencil-type Glow Plug
Spanner Size	12
Thread Size	M12 x 1,25
Overall Length [mm]	67
Cone Pitch	63°
Fitting Depth [mm]	21
Rated Voltage [V]	11

**References**

5960 K0	96 076 258
---------	------------


**Application info**

AX [07/86-12/98]

40-14 860 0001 | MGP0068

Glow plug



Notes

	after-glow capable Pencil-type Glow Plug
Spanner Size	10
Thread Size	M10 x 1
Overall Length [mm]	76
Cone Pitch	63°
Fitting Depth [mm]	25
Rated Voltage [V]	11
Connector type	M4

References

5960.72	5960.K5
---------	---------

Application info

Jumper I (02/94-08/02)

Jumper II (02/02--)

40-14 860 0003 | MGP0102

Glow plug



Notes

	Pencil-type Glow Plug
Spanner Size	10
Thread Size	M8 x 1
Overall Length [mm]	99.5
Cone Pitch	123°
Fitting Depth [mm]	30.9
Rated Voltage [V]	5
Connector type	Pin Ø 4 mm

References

5960.L1
---------

Application info

C5 III (RD\_, TD\_) (02/08--)

614 860 0010 | MGP0084

Glow plug



Notes

	after-glow capable Pencil-type Glow Plug
Spanner Size	9
Thread Size	M9 x 1
Overall Length [mm]	119
Cone Pitch	93°
Fitting Depth [mm]	27.5
Rated Voltage [V]	4.4
Connector type	Pin Ø 4 mm

References

5960.L4
---------



### Glow plug

614 860 0010 | MGP0084

#### Application info

Nemo (02/08--)

### Glow plug

714 860 0005 | MGP0121

#### Notes

	after-glow capable Pencil-type Glow Plug
Spanner Size	10
Thread Size	M10 x 1
Overall Length [mm]	151
Connector type	M4
Cone Pitch	93°
Rated Voltage [V]	4.4
Fitting Depth [mm]	35.3

#### References

96 756 809 80



#### Application info

Jumper III (04/06--)

### Glow plug

11-14 860 0002 | MGP0142

#### Notes

	Pencil-type Glow Plug
Spanner Size	8
Thread Size	M8 x 1,0
Overall Length [mm]	141.5
Connector type	Pin Ø 4 mm
Cone Pitch	123
Rated Voltage [V]	5
Fitting Depth [mm]	26

#### References

98 09 088 180



#### Application info

C Elyse (11/12--)  
C4 Cactus (09/14--)  
Jumpy III (04/16--)  
Spacetourer (04/16--)  
C3 III (07/16--)

C3 AIRCROSS II (06/17--)  
C4 SPACETOURER / GRAND SPACETOURER (04/18--)  
Berlingo III (06/18--)  
C5 AIRCROSS (11/18--)  
C4 III (10/20--)

40-14 885 0001 | MIC0073

Ignition coil



Notes

Resistor [kOhm]  
Operating voltage [V]  
Number of pins  
Required quantity

for fully electronic ignition (FI)  
6.8  
Connector Type SAE  
12  
4  
1  
for vehicles with distributor

References

5970.45

96 035 284

Application info

AX (07/86-12/98)  
Xantia (03/93-04/03)

ZX (03/91-07/99)  
XM (05/89-10/00)

40-14 885 0006 | MIC0152

Ignition coil



Notes

Resistor [kOhm]  
Operating voltage [V]  
Number of pins  
Required quantity

for fully electronic ignition (FI)  
9  
Connector Type, saw teeth  
12  
4  
1  
for vehicles without distributor

References

5970.49  
96 062 288

96 165 970 80

Application info

AX (07/86-12/98)

ZX (03/91-07/99)

214 885 0010 | MIC0173

Ignition coil



Notes

Operating voltage [V]  
Number of pins

for fully electronic ignition (FI)  
Connector Type, saw teeth  
12  
3  
without holding frame  
for vehicles without distributor

References

5970.53

**Ignition coil**

214 885 0010 | MIC0173

**Application info**

Jumpy I [06/94-12/06]

**Ignition coil**

40-14 885 0005 | MIC0077

**Notes**

	for fully electronic ignition (FI)
Operating voltage [V]	12
Number of pins	4
Required quantity	1
	for vehicles without distributor

**References**

5970.48	96 074 054
5970.60	



**Application info**

Evasion [03/94-10/02]  
 BX [10/82-12/94]  
 Saxo [02/96-04/04]  
 Berlingo I [07/96-12/11]  
 Xantia [03/93-04/03]

ZX [03/91-07/99]  
 XM [05/89-10/00]  
 Jumper I [02/94-08/02]  
 Jumper II [02/02--]  
 Xsara [04/97-03/10]

**Ignition coil**

11-14 885 0006 | MIC0108

**Notes**

	incl. spark plug connector
Operating voltage [V]	12
Number of pins	6
Required quantity	1

**References**

1104091	96 51 710 680
5970.85	



**Application info**

C4 I / Coupe / Grand Picasso / Picasso / Stufenheck [11/04--]

C2 / C3 I / Pluriel [02/02--]

5

30-14 885 0004 | MIC0054

Ignition coil



Notes

Operating voltage [V]  
Number of pins

for fully electronic ignition (FI)  
incl. spark plug connector  
12  
4

References

5970.88  
5970.C0

5970.C1

Application info

C1 [06/05-09/14]

314 885 0005 | MIC0120

Ignition coil



Notes

Operating voltage [V]  
Number of pins

for fully electronic ignition (FI)  
12  
Connector Type SAE  
3

References

5970.64  
5970.91

98 078 418 80

Application info

C5 III (RD\_, TD\_) [02/08--]  
C3 Picasso [02/09--]  
C3 II [09/09--]  
C4 I / Coupe / Grand Picasso / Picasso / Stufenheck [11/04--]

DS3 [11/09-12/16]  
C4 II / DS4 [02/09--]  
Berlingo II [04/08--]  
C4 SPACETOURER / GRAND SPACETOURER [04/18--]

11-14 885 0001 | MIC0028

Ignition coil



Notes

Operating voltage [V]  
Number of pins  
Required quantity

for transistor ignition (TI)  
incl. spark plug connector  
Connector Type SAE  
12  
2  
6  
for vehicles without distributor

References

5970.94

**Ignition coil**

**11-14 885 0001 | MIC0028**

**Application info**

C8 (06/02--)  
C5 I / C5 II (03/01--)

C6 (09/05-12/12)  
C5 III (RD\_, TD\_) (02/08--)

**Ignition coil**

**40-14 885 0002 | MIC0074**

**Notes**

Resistor [kOhm]

for fully electronic ignition  
[FI]

6

Operating voltage [V]

incl. spark plug connector

Connector Type SAE

Number of pins

12

Required quantity

4

1

for vehicles without distrib-  
utor



**References**

5970.97

5970.A8

**Application info**

Saxo (02/96-04/04)  
Berlingo I (07/96-12/11)  
Xsara Picasso (09/99-06/12)  
Nemo (02/08--)

C3 II (09/09--)  
C2 / C3 I / Pluriel (02/02--)  
Xsara (04/97-03/10)

**Ignition coil**

**11-14 885 0007 | MIC0033**

**Notes**

Operating voltage [V]

for fully electronic ignition  
[FI]

Number of pins

incl. spark plug connector

Connector Type SAE

Required quantity

12

4

1



**References**

5970.75

5970.98

**Application info**

Evasion (03/94-10/02)  
Xsara Picasso (09/99-06/12)  
Jumpy I (06/94-12/06)  
C8 (06/02--)

C5 I / C5 II (03/01--)  
C4 I / Coupe / Grand Picasso / Picasso / Stufenheck (11/04--)  
Xsara (04/97-03/10)

11-14 885 0002 | MIC0029

Ignition coil



Notes

Operating voltage [V]  
Number of pins  
Required quantity

for fully electronic ignition (FI)  
incl. spark plug connector  
Connector Type SAE  
12  
4  
1

References

5970.80  
5970.99

96 363 378

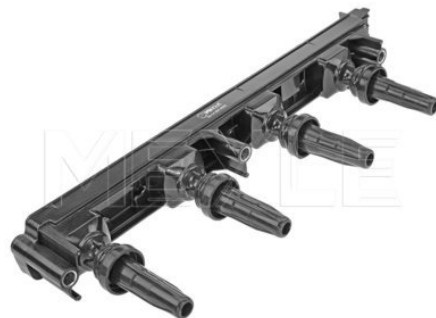
Application info

Berlingo I (07/96-12/11)  
Xsara Picasso (09/99-06/12)  
C4 I / Coupe / Grand Picasso / Picasso / Stufenheck (11/04--)

C2 / C3 I / Pluriel (02/02--)  
Xsara (04/97-03/10)  
Berlingo II (04/08--)

40-14 885 0008 | MIC0078

Ignition coil



Notes

Operating voltage [V]  
Number of pins  
Required quantity

for fully electronic ignition (FI)  
incl. spark plug connector  
12  
6  
1

References

00 005 970 87  
00 005 970 A0  
5970.87

5970.A0  
96 566 957 80  
96 582 279 80

Application info

C8 (06/02--)  
C5 I / C5 II (03/01--)  
Jumpy II (01/07--)

C5 III (RD\_, TD\_) (02/08--)  
C4 I / Coupe / Grand Picasso / Picasso / Stufenheck (11/04--)

11-14 885 0003 | MIC0030

Ignition coil



Notes

Operating voltage [V]  
Number of pins  
Required quantity

for fully electronic ignition (FI)  
incl. spark plug connector  
Connector Type SAE  
12  
4  
1

References

5970.73

5970.A4

**Ignition coil**

**11-14 885 0003 | MIC0030**

**Application info**

Evasion [03/94-10/02]  
Xantia [03/93-04/03]

XM [05/89-10/00]  
Xsara [04/97-03/10]

**Ignition coil**

**11-14 885 0004 | MIC0031**

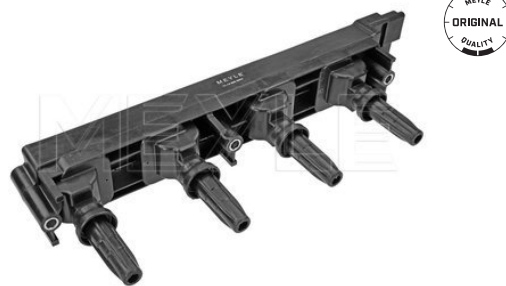
**Notes**

Operating voltage [V]  
Number of pins  
Required quantity

for fully electronic ignition [FI]  
incl. spark plug connector  
Connector Type SAE  
12  
6  
1

**References**

5970.A5



**Application info**

C8 [06/02--]

C4 I / Coupe / Grand Picasso / Picasso / Stufenheck [11/04--]

**Ignition coil**

**40-14 885 0000 | MIC0072**

**Notes**

Resistor [kOhm]

Operating voltage [V]  
Number of pins  
Required quantity

for fully electronic ignition [FI]  
6  
incl. spark plug connector  
Connector Type SAE  
12  
4  
1

**References**

5970.74

5970.A9



**Application info**

Saxo [02/96-04/04]  
Berlingo I [07/96-12/11]

Xsara Picasso [09/99-06/12]  
Xsara [04/97-03/10]

40-14 885 0012 | MIC0206

Ignition coil



Notes

Operating voltage [V]

12

Number of pins

Flush-Fitting Pencil Ignition  
Coils  
3

References

96 712 145 80

Application info

C3 II [09/09--]  
C Elyse [11/12--]  
DS3 [11/09-12/16]  
C1 II [04/14--]

C4 Cactus [09/14--]  
C3 III [07/16--]  
C3 AIRCROSS II [06/17--]

40-14 885 0011 | MIC0198

Ignition coil



Notes

Operating voltage [V]

12

Number of pins

Connector Type SAE  
3

References

96 753 909 80

Application info

C3 Picasso [02/09--]  
C3 II [09/09--]  
DS3 [11/09-12/16]  
C4 II / DS4 [02/09--]

Berlingo II [04/08--]  
C4 Cactus [09/14--]  
C3 III [07/16--]  
C3 AIRCROSS II [06/17--]

30-14 885 0005 | MIC0055

Ignition coil



Notes

Operating voltage [V]

for fully electronic ignition  
(FI)

Number of pins

incl. spark plug connector

Required quantity

12

4

4

References

16 115 478 80



## Ignition coil

30-14 885 0005 | MIC0055

### Application info

C1 II (04/14--)

## Intake air, temperature sensor

11-14 812 0012 | MEX0800

### Notes

Operating voltage [V]	NTC Sensor
Number of pins	12
	2

### References

1920.GF	96 554 327
1920.JL	96 749 432 80
1920.PJ	



### Application info

Berlingo I (07/96-12/11)  
 Xsara Picasso (09/99-06/12)  
 C8 (06/02--)  
 C5 I / C5 II (03/01--)  
 C1 (06/05-09/14)  
 C6 (09/05-12/12)  
 Jumper III (04/06--)  
 Jumpy II (01/07--)  
 C5 III (RD\_, TD\_) (02/08--)

C3 Picasso (02/09--)  
 Nemo (02/08--)  
 C3 II (09/09--)  
 C4 I / Coupe / Grand Picasso / Picasso / Stufenheck (11/04--)  
 C2 / C3 I / Pluriel (02/02--)  
 C-Crosser (02/07--)  
 DS3 (11/09-12/16)  
 Berlingo II (04/08--)  
 C3 III (07/16--)

## Knock sensor

11-14 811 0000 | MEX1047

### Notes

Outer diameter [mm]	Piezoelectric Sensor
Operating voltage [V]	26
Number of pins	12
	2

### References

1920.FR	96 453 114 80
1920.LT	



### Application info

Saxo (02/96-04/04)  
 Berlingo I (07/96-12/11)  
 Xsara Picasso (09/99-06/12)  
 C5 III (RD\_, TD\_) (02/08--)  
 Nemo (02/08--)  
 C3 II (09/09--)  
 C4 I / Coupe / Grand Picasso / Picasso / Stufenheck (11/04--)  
 C2 / C3 I / Pluriel (02/02--)  
 DS5 (09/11-07/15)

Xsara (04/97-03/10)  
 C Elyse (11/12--)  
 DS3 (11/09-12/16)  
 C4 II / DS4 (02/09--)  
 Berlingo II (04/08--)  
 C4 Grand Picasso II (01/13--)  
 C3 III (07/16--)  
 C4 SPACETOURER / GRAND SPACETOURER (04/18--)  
 C5 AIRCROSS (11/18--)

11-14 811 0002 | MEX1048

Knock sensor



Notes

	Piezoelectric Sensor
Inner diameter [mm]	8.5
Outer diameter [mm]	27.2
Operating voltage [V]	12
Number of pins	2

References

5946.23	5946.28
---------	---------

Application info

Evasion [03/94-10/02]  
Saxo [02/96-04/04]  
Berlingo I [07/96-12/11]  
Xantia [03/93-04/03]  
ZX [03/91-07/99]  
Xsara Picasso [09/99-06/12]

Jumpy I [06/94-12/06]  
C8 [06/02--]  
Jumper II [02/02--]  
C5 I / C5 II [03/01--]  
C2 / C3 I / Pluriel [02/02--]  
Xsara [04/97-03/10]

11-14 811 0001 | MEX0792

Knock sensor



Notes

Operating voltage [V]	12
Number of pins	2

References

5946.35
---------

Application info

C1 [06/05-09/14]

C1 II [04/14--]

11-14 811 0003 | MEX1049

Knock sensor



Notes

	Piezoelectric Sensor
Outer diameter [mm]	28
Operating voltage [V]	12
Cable Length [mm]	250
Number of pins	3

References

5946.22	5946.30
---------	---------

**Knock sensor**

11-14 811 0003 | MEX1049

**Application info**

Evasion (03/94-10/02)  
Xantia (03/93-04/03)  
ZX (03/91-07/99)  
XM (05/89-10/00)  
CB (06/02--)

C5 I / C5 II (03/01--)  
C6 (09/05-12/12)  
C5 III (RD\_, TD\_) (02/08--)  
Xsara (04/97-03/10)

**Knock sensor**

214 811 0001 | MEX0835

**Notes**

Operating voltage [V]	Black
Cable Length [mm]	12
Number of pins	400
	3

**References**

5946.16	96 037 068
5946.20	



**Application info**

XM (05/89-10/00)

**Knock sensor**

314 811 0001 | MEX1211

**Notes**

Inner diameter [mm]	Piezoelectric Sensor
Operating voltage [V]	8.5
Number of pins	12
	2

**References**

5946.03



**Application info**

BX (10/82-12/94)

11-14 803 0003 | MEX1135

Lambda probe



Notes

Thread Size  
Cable Length [mm]  
Number of pins

Planar probe  
M18 x 1,5  
370  
4

References

1618.Q5

Application info

C1 [06/05-09/14]

11-14 803 0001 | MEX1133

Lambda probe



Notes

Thread Size  
Cable Length [mm]  
Number of pins

Planar probe  
M18 x 1,5  
1500  
4

References

1019 807 00  
1628.CX  
1628.HV

96 229 977  
96 36 148 880  
96 36 148 882

Application info

Evasion [03/94-10/02]  
Xantia [03/93-04/03]  
Xsara Picasso [09/99-06/12]  
C4 I / Coupe / Grand Picasso / Picasso / Stufenheck [11/04--]

Xsara [04/97-03/10]  
C Elyse [11/12--]  
C3 III [07/16--]

11-14 803 0005 | MEX1136

Lambda probe



Notes

Thread Size  
Cable Length [mm]  
Number of pins

Finger probe  
M18 x 1,5  
600  
4

References

1618.HC

96 651 040 80

### Lambda probe

11-14 803 0005 | MEX1136

#### Application info

C5 III (RD\_, TD\_) (02/08--)  
 C4 I / Coupe / Grand Picasso / Picasso / Stufenheck (11/04--)  
 DS5 (09/11-07/15)  
 DS3 (11/09-12/16)

C4 II / DS4 (02/09--)  
 C4 Grand Picasso II (01/13--)  
 C4 SPACETOURER / GRAND SPACETOURER (04/18--)  
 C5 AIRCROSS (11/18--)

### Lambda probe

11-14 803 0007 | MEX1137

#### Notes

Thread Size  
 Cable Length [mm]  
 Number of pins

Finger probe  
 M18 x 1,5  
 500  
 2

#### References

1628.3W 96 121 278 17  
 1628.V4 96 127 346



#### Application info

AX (07/86-12/98)  
 Xantia (03/93-04/03)

ZX (03/91-07/99)

### Lambda probe

11-14 803 0010 | MEX1172

#### Notes

Cable Length [mm]  
 Number of pins

Planar probe  
 570  
 4

#### References

1628.9A 96 230 003 80  
 1628.YK



#### Application info

Saxo (02/96-04/04)  
 Berlingo I (07/96-12/11)  
 Xsara Picasso (09/99-06/12)  
 CB (06/02--)

C5 I / C5 II (03/01--)  
 C4 I / Coupe / Grand Picasso / Picasso / Stufenheck (11/04--)  
 C2 / C3 I / Pluriel (02/02--)  
 Xsara (04/97-03/10)

11-14 821 0010 | MEX0740

Sender unit, coolant temperature



Notes

Thread Size	Green
Operating voltage [V]	NTC Sensor
Number of pins	M14x1.25
	12
	2
	with taper seat

References

1338.47	1338.78
---------	---------

Application info

Evasion [03/94-10/02]  
AX [07/86-12/98]  
Saxo [02/96-04/04]  
Berlingo I [07/96-12/11]  
Xantia [03/93-04/03]  
ZX [03/91-07/99]

XM [05/89-10/00]  
Jumper I [02/94-08/02]  
Jumpy I [06/94-12/06]  
C15 / Visa [09/78-10/06]  
Xsara [04/97-03/10]

40-14 810 0000 | MEX0482

Sender unit, coolant temperature



Notes

Spanner Size	Blue
Thread Size	NTC Sensor
Operating voltage [V]	21
Switch Point [°C]	M12 x 1,5
Switch Point [°C]	12
Switch Point [°C]	100
Switch Point [°C]	80
Number of pins	40
	3
	with seal ring

References

1338.97	96 310 010
1338.A6	96 368 027

Application info

Saxo [02/96-04/04]  
Berlingo I [07/96-12/11]  
Xantia [03/93-04/03]  
Xsara Picasso [09/99-06/12]  
Jumpy I [06/94-12/06]

C8 [06/02--]  
Jumper II [02/02--]  
C3 II [09/09--]  
C2 / C3 I / Pluriel [02/02--]  
Xsara [04/97-03/10]

### Sender unit, coolant temperature

40-14 800 0000 | MEX0417

#### Notes

Green  
NTC Sensor  
Spanner Size 19  
Thread Size M12 x 1,5  
Operating voltage [V] 12  
Number of pins 2  
with seal ring

#### References

1338.A7



#### Application info

Evasion [03/94-10/02]  
Berlingo I [07/96-12/11]  
Xsara Picasso [09/99-06/12]  
Jumpy I [06/94-12/06]  
C8 [06/02--]  
C5 I / C5 II [03/01--]  
C6 [09/05-12/12]  
Jumpy II [01/07--]

C5 III [RD\_, TD\_] [02/08--]  
C15 / Visa [09/78-10/06]  
Nemo [02/08--]  
C3 II [09/09--]  
C4 I / Coupe / Grand Picasso / Picasso / Stufenheck [11/04--]  
C2 / C3 I / Pluriel [02/02--]  
Xsara [04/97-03/10]

### Sender unit, coolant temperature

40-14 821 0000 | MEX0727

#### Notes

with spring clip  
NTC Sensor  
Operating voltage [V] 12  
Number of pins 2  
with seal ring

#### References

1338.C1 1338.G5  
1338.C2 96 325 624 80  
1338.C9 96 554 141 80



#### Application info

Berlingo I [07/96-12/11]  
Xsara Picasso [09/99-06/12]  
Jumpy I [06/94-12/06]  
C8 [06/02--]  
C5 I / C5 II [03/01--]  
C1 [06/05-09/14]  
C6 [09/05-12/12]  
Jumpy II [01/07--]  
C5 III [RD\_, TD\_] [02/08--]  
C3 Picasso [02/09--]  
Nemo [02/08--]  
C3 II [09/09--]

C4 I / Coupe / Grand Picasso / Picasso / Stufenheck [11/04--]  
C2 / C3 I / Pluriel [02/02--]  
C-Crosser [02/07--]  
DS5 [09/11-07/15]  
C4 AIRCROSS [08/10--]  
Xsara [04/97-03/10]  
C Elyse [11/12--]  
DS3 [11/09-12/16]  
C4 II / DS4 [02/09--]  
Berlingo II [04/08--]  
C4 Cactus [09/14--]  
C4 Grand Picasso II [01/13--]

714 821 0006 | MEX0933

Sender unit, coolant temperature



Notes

Spanner Size	15
Operating voltage [V]	12
Number of pins	2

References

1338.F0

Application info

Jumper III (04/06--)

614 899 0038 | MEX0453

Sender unit, coolant temperature



Notes

Spanner Size	19
Thread Size	M12 x 1,5
Operating voltage [V]	12
Switch Point [°C]	150
Switch Point [°C]	-40
Number of pins	2
	with seal ring

References

1338.C7

1338.F9

Application info

Jumper I (02/94-08/02)  
Jumper II (02/02--)

Jumper III (04/06--)

314 136 2102 | MEX0382

Sender unit, coolant temperature



Notes

Spanner Size	19
Thread Size	M12 x 1,5
Operating voltage [V]	12
Number of pins	2

References

91 514 549





**Sender unit, coolant temperature**

**314 136 2102 | MEX0382**

**Application info**

AX (07/86-12/98)  
BX (10/82-12/94)  
Saxo (02/96-04/04)  
ZX (03/91-07/99)

CX II (07/85-12/92)  
XM (05/89-10/00)  
Jumpy I (06/94-12/06)  
C15 / Visa (09/78-10/06)

**Sender unit, coolant temperature**

**714 821 0001 | MEX0732**

**Notes**

Temperature range from [°C]	20
Temperature range to [°C]	120
	with spring clip
	NTC Sensor
Operating voltage [V]	12
Number of pins	2
	with seal ring

**References**

96 753 420 80



**Application info**

Jumper III (04/06--)

**Sender unit, coolant temperature**

**11-14 821 0000 | MEX1147**

**Notes**

Spanner Size	Blue
Thread Size	24
Operating voltage [V]	14x1,25
Number of pins	12
	4
	with seal ring

**References**

1338.87



**Application info**

Berlingo I (07/96-12/11)  
Jumpy I (06/94-12/06)

Xsara (04/97-03/10)

11-14 821 0003 | MEX0802

Sender unit, coolant temperature



Notes

Spanner Size	19
Thread Size	M14X1.25
Operating voltage [V]	12
Number of pins	2
	with seal ring

References

1338.66

Application info

Berlingo I (07/96-12/11)  
Xantia (03/93-04/03)  
XM (05/89-10/00)

Xsara Picasso (09/99-06/12)  
Xsara (04/97-03/10)

11-14 821 0004 | MEX0803

Sender unit, coolant temperature



Notes

Spanner Size	20
Thread Size	M14x1,25
Operating voltage [V]	12
Number of pins	2
	with taper seat

References

1338.50

Application info

AX (07/86-12/98)  
Saxo (02/96-04/04)

Jumper I (02/94-08/02)  
Xsara (04/97-03/10)

11-14 821 0005 | MEX0735

Sender unit, coolant temperature



Notes

Thread Size	M14x1.25
Operating voltage [V]	12
Number of pins	2
	with taper seat

References

1338.10	1338.84
1338.55	96 033 248
1338.56	

Sender unit, coolant temperature

11-14 821 0005 | MEX0735

Application info

Evasion [03/94-10/02]  
AX [07/86-12/98]  
Saxo [02/96-04/04]  
Berlingo I [07/96-12/11]  
Xantia [03/93-04/03]

ZX [03/91-07/99]  
XM [05/89-10/00]  
Jumper I [02/94-08/02]  
Jumpy I [06/94-12/06]  
Xsara [04/97-03/10]

Sender unit, coolant temperature

11-14 821 0006 | MEX0736

Notes

Operating voltage [V]  
Number of pins

with spring clip  
NTC Sensor  
12  
2  
with seal ring

References

1338.F3  
1338.F8

96 566 364



Application info

Berlingo I [07/96-12/11]  
Xsara Picasso [09/99-06/12]  
C5 III (RD\_, TD\_) [02/08--]  
C4 I / Coupe / Grand Picasso / Picasso / Stufenheck [11/04--]  
C2 / C3 I / Pluriel [02/02--]

C Elyse [11/12--]  
DS3 [11/09-12/16]  
C4 II / DS4 [02/09--]  
Berlingo II [04/08--]  
C4 Grand Picasso II [01/13--]

Sender unit, coolant temperature

11-14 821 0007 | MEX0737

Notes

Thread Size  
Operating voltage [V]  
Switch Point [°C]  
Number of pins

Blue  
NTC Sensor  
M14x1.25  
12  
120  
2  
with taper seat

References

0242.68  
0242.85

0242.87  
96 018 422



Application info

Evasion [03/94-10/02]  
AX [07/86-12/98]  
Saxo [02/96-04/04]  
Berlingo I [07/96-12/11]  
Xantia [03/93-04/03]

ZX [03/91-07/99]  
XM [05/89-10/00]  
Jumper I [02/94-08/02]  
Jumpy I [06/94-12/06]  
Xsara [04/97-03/10]

11-14 821 0008 | MEX0738

Sender unit, coolant temperature



Notes

Thread Size  
Operating voltage [V]  
Switch Point [°C]  
Number of pins

Blue  
NTC Sensor  
M14x1.5  
12  
117  
2  
with taper seat

References

0242.83

Application info

Saxo [02/96-04/04]  
Berlingo I [07/96-12/11]  
ZX [03/91-07/99]

Xsara Picasso [09/99-06/12]  
Xsara [04/97-03/10]

11-14 821 0009 | MEX0739

Sender unit, coolant temperature



Notes

Spanner Size  
Thread Size  
Operating voltage [V]  
Number of pins

NTC Sensor  
22  
M16x1,5  
12  
2  
with taper seat

References

1338.93

1338.F7

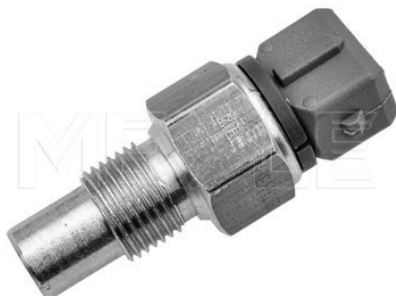
Application info

Jumper I [02/94-08/02]

Jumper II [02/02--]

11-14 821 0011 | MEX0741

Sender unit, coolant temperature



Notes

Spanner Size  
Thread Size  
Operating voltage [V]  
Number of pins

NTC Sensor  
19  
with tapered thread  
1/8"x27 NPTF  
12  
1

References

1338.09

96 018 426

**Sender unit, coolant temperature**

11-14 821 0011 | MEX0741

**Application info**

Evasion [03/94-10/02]  
Berlingo I [07/96-12/11]  
Xantia [03/93-04/03]  
ZX [03/91-07/99]

XM [05/89-10/00]  
Jumper I [02/94-08/02]  
Jumpy I [06/94-12/06]  
Xsara [04/97-03/10]

**Sender unit, coolant temperature**

11-14 821 0012 | MEX0804

**Notes**

Operating voltage [V]  
Number of pins

with spring clip  
NTC Sensor  
12  
3  
with seal ring

**References**

1338.C0

96 335 188 80



**Application info**

Berlingo I [07/96-12/11]  
Jumper II [02/02--]

Xsara [04/97-03/10]

**Sender unit, coolant temperature**

11-14 821 0014 | MEX0806

**Notes**

Spanner Size  
Thread Size  
Operating voltage [V]  
Number of pins

Orange  
Green  
NTC Sensor  
19  
M14x1.25  
12  
2  
with taper seat

**References**

1338.43



**Application info**

Berlingo I [07/96-12/11]  
Xantia [03/93-04/03]  
ZX [03/91-07/99]

Jumper I [02/94-08/02]  
C15 / Visa [09/78-10/06]  
Xsara [04/97-03/10]

11-14 821 0015 | MEX0807

Sender unit, coolant temperature



Notes

Spanner Size	19
Operating voltage [V]	12
Number of pins	2

References

1920.C4	95 640 493
---------	------------

Application info

AX (07/86-12/98)  
BX (10/82-12/94)

ZX (03/91-07/99)  
XM (05/89-10/00)

214 821 0006 | MEX0751

Sender unit, coolant temperature



Notes

Spanner Size	19
Thread Size	M12x1,5
Operating voltage [V]	12
Number of pins	2
	with seal ring

References

1920.3F

Application info

Saxo (02/96-04/04)  
Berlingo I (07/96-12/11)

Xsara Picasso (09/99-06/12)  
Xsara (04/97-03/10)

214 821 0007 | MEX0752

Sender unit, coolant temperature



Notes

Spanner Size	19
Thread Size	M12x1,5
Operating voltage [V]	12
Number of pins	2
	with seal ring

References

1338.A5

Application info

Jumper I (02/94-08/02)

Sender unit, coolant temperature

214 821 0009 | MEX0754

Notes

Operating voltage [V]  
Number of pins

with spring clip  
NTC Sensor  
12  
2  
with seal ring

References

1338.G9



Application info

Nemo (02/08--)

Sender unit, coolant temperature

32-14 821 0000 | MEX0766

Notes

Spanner Size  
Thread Size  
Operating voltage [V]  
Number of pins

NTC Sensor  
19  
with tapered thread  
3/8x19 BSP  
12  
2

References

1338.G4

16 132 532 80



Application info

C-Crosser (02/07--)  
C4 AIRCROSS (08/10--)

C-Zero (10/10--)

Sensor, camshaft position

40-14 800 0005 | MPS0050

Notes

Operating voltage [V]  
Fitting Depth [mm]  
Number of pins

Grey  
Active sensor  
12  
22  
3  
without cable

References

1920.7V  
1920.FY  
1920.QN

96 285 598  
96 285 599



40-14 800 0005 | MPS0050

Sensor, camshaft position

Application info

Evasion [03/94-10/02]  
Berlingo I [07/96-12/11]  
Xantia [03/93-04/03]  
Xsara Picasso [09/99-06/12]  
Jumpy I [06/94-12/06]  
C5 I / C5 II [03/01--]  
Jumpy II [01/07--]  
C5 III (RD\_, TD\_) [02/08--]  
C3 Picasso [02/09--]

C3 II [09/09--]  
C4 I / Coupe / Grand Picasso / Picasso / Stufenheck [11/04--]  
C2 / C3 I / Pluriel [02/02--]  
C-Crosser [02/07--]  
DS5 [09/11-07/15]  
Xsara [04/97-03/10]  
C4 II / DS4 [02/09--]  
Berlingo II [04/08--]

11-14 810 0001 | MEX0729

Sensor, camshaft position



Notes

Operating voltage [V]  
Number of pins

Active sensor  
12  
3  
without cable

References

96 774 933 80

Application info

C3 Picasso [02/09--]  
C3 II [09/09--]  
DS5 [09/11-07/15]  
C Elyse [11/12--]  
DS3 [11/09-12/16]  
C4 II / DS4 [02/09--]  
Berlingo II [04/08--]  
C4 Cactus [09/14--]

C4 Grand Picasso II [01/13--]  
Jumpy III [04/16--]  
Spacetourer [04/16--]  
C3 III [07/16--]  
C3 AIRCROSS II [06/17--]  
C4 SPACETOURER / GRAND SPACETOURER [04/18--]  
Berlingo III [06/18--]

11-14 810 0002 | MEX0730

Sensor, camshaft position



Notes

Operating voltage [V]  
Number of pins

Active sensor  
12  
3  
without cable  
with screw

References

96 887 250 80



**Sensor, camshaft position**

**11-14 810 0002 | MEX0730**

**Application info**

C3 Picasso (02/09--)  
C3 II (09/09--)  
C Elyse (11/12--)  
DS3 (11/09-12/16)  
C4 II / DS4 (02/09--)  
C1 II (04/14--)  
C4 Cactus (09/14--)

C4 Grand Picasso II (01/13--)  
C3 III (07/16--)  
C3 AIRCROSS II (06/17--)  
C4 SPACETOURER / GRAND SPACETOURER (04/18--)  
Berlingo III (06/18--)  
C5 AIRCROSS (11/18--)

**Sensor, camshaft position**

**11-14 810 0000 | MPS0070**

**Notes**

Operating voltage [V]  
Number of pins

Active sensor  
12  
3

**References**

1920.LS



**Application info**

C5 III (RD\_, TD\_) (02/08--)  
C3 Picasso (02/09--)  
C3 II (09/09--)  
C4 I / Coupe / Grand Picasso / Picasso / Stufenheck (11/04--)  
DS5 (09/11-07/15)  
DS3 (11/09-12/16)

C4 II / DS4 (02/09--)  
Berlingo II (04/08--)  
C4 Grand Picasso II (01/13--)  
C4 SPACETOURER / GRAND SPACETOURER (04/18--)  
C5 AIRCROSS (11/18--)

**Sensor, camshaft position**

**214 810 0000 | MEX0782**

**Notes**

Operating voltage [V]  
Number of pins

Active sensor  
12  
3  
with seal ring  
without cable

**References**

1920.SR

1920.TS



**Application info**

Nemo (02/08--)

11-14 812 0003 | MEX0977

Sensor, intake manifold pressure



Notes

Pressure to [bar]	1.12
Pressure from [bar]	0.13
Operating voltage [V]	12
Number of pins	3

References

1920.AC	4574.05
4574.03	96 394 189 80

Application info

Saxo [02/96-04/04]  
Xsara Picasso [09/99-06/12]  
C8 [06/02--]  
C5 I / C5 II [03/01--]

C6 [09/05-12/12]  
C5 III (RD\_, TD\_) [02/08--]  
C4 I / Coupe / Grand Picasso / Picasso / Stufenheck [11/04--]  
Xsara [04/97-03/10]

11-14 812 0004 | MEX0983

Sensor, intake manifold pressure



Notes

Pressure to [bar]	1.12
Pressure from [bar]	0.13
Operating voltage [V]	12
Number of pins	4

References

1920.AJ	96 393 814 80
---------	---------------

Application info

Saxo [02/96-04/04]  
Berlingo I [07/96-12/11]  
Xsara Picasso [09/99-06/12]  
C8 [06/02--]  
C5 I / C5 II [03/01--]  
Jumpy II [01/07--]  
C5 III (RD\_, TD\_) [02/08--]  
Nemo [02/08--]

C3 II [09/09--]  
C4 I / Coupe / Grand Picasso / Picasso / Stufenheck [11/04--]  
C2 / C3 I / Pluriel [02/02--]  
Xsara [04/97-03/10]  
C Elyse [11/12--]  
Berlingo II [04/08--]  
C3 III [07/16--]

11-14 812 0009 | MEX0978

Sensor, intake manifold pressure



Notes

Pressure to [bar]	3.09
Pressure from [bar]	0.42
Operating voltage [V]	12
Number of pins	3

References

1920.LH	96 519 312 80
---------	---------------

### Sensor, intake manifold pressure

11-14 812 0009 | MEX0978

#### Application info

C5 I / C5 II (03/01--)  
C6 (09/05-12/12)

C5 III (RD\_, TD\_) (02/08--)  
C-Crosser (02/07--)

### Sensor, intake manifold pressure

11-14 812 0005 | MEX0794

#### Notes

Pressure to [bar]	3
Pressure from [bar]	0.3
Operating voltage [V]	12
Number of pins	4

#### References

1920.QR	98 055 003 80
96 634 808 80	



#### Application info

C8 (06/02--)  
Jumpy II (01/07--)  
C5 III (RD\_, TD\_) (02/08--)  
C3 Picasso (02/09--)  
C3 II (09/09--)  
C4 I / Coupe / Grand Picasso / Picasso / Stufenheck (11/04--)  
DS5 (09/11-07/15)

C4 AIRCROSS (08/10--)  
C Elyse (11/12--)  
DS3 (11/09-12/16)  
C4 II / DS4 (02/09--)  
Berlingo II (04/08--)  
C4 Cactus (09/14--)  
C4 Grand Picasso II (01/13--)

### Sensor, intake manifold pressure

614 899 0017 | MEX0451

#### Notes

	Piezoelectric Sensor
Pressure to [bar]	1.02
Pressure from [bar]	0.15
Operating voltage [V]	12
Number of pins	3
	without cable

#### References

5946.07



#### Application info

BX (10/82-12/94)  
Xantia (03/93-04/03)

XM (05/89-10/00)  
Xsara (04/97-03/10)

11-14 812 0002 | MEX0793

Sensor, intake manifold pressure



Notes

Pressure to [bar]	2.55
Pressure from [bar]	0.11
Number of pins	4

References

1920.FT

Application info

Jumper I [02/94-08/02]

Jumper II [02/02--]

11-14 812 0006 | MEX0795

Sensor, intake manifold pressure



Notes

Pressure to [bar]	2.52
Pressure from [bar]	0.1
Number of pins	3

References

1920.GH

96 427 899 80

Application info

Jumpy I [06/94-12/06]  
C8 [06/02--]  
C5 I / C5 II [03/01--]  
C1 [06/05-09/14]

Nemo [02/08--]  
C3 II [09/09--]  
C2 / C3 I / Pluriel [02/02--]

11-14 812 0007 | MEX0796

Sensor, intake manifold pressure



Notes

Pressure to [bar]	1
Pressure from [bar]	0.2
Number of pins	3

References

1920.0E

1920.9H

**Sensor, intake manifold pressure**

11-14 812 0007 | MEX0796

**Application info**

Evasion [03/94-10/02]  
Saxo [02/96-04/04]  
Berlingo I [07/96-12/11]  
Xantia [03/93-04/03]

ZX [03/91-07/99]  
XM [05/89-10/00]  
Xsara [04/97-03/10]

**Sensor, intake manifold pressure**

11-14 812 0008 | MEX0797

**Notes**

Pressure to [bar]	2.5
Pressure from [bar]	0.1
Number of pins	3

**References**

1920.7T	96 317 166 80
---------	---------------



**Application info**

Evasion [03/94-10/02]  
Xantia [03/93-04/03]  
Jumpy I [06/94-12/06]

C8 [06/02--]  
C5 I / C5 II [03/01--]

**Sensor, intake manifold pressure**

11-14 812 0010 | MEX0798

**Notes**

Pressure to [bar]	3.27
Pressure from [bar]	0.27
Number of pins	3

**References**

1920.LG	96 493 965 80
---------	---------------



**Application info**

C8 [06/02--]  
C5 I / C5 II [03/01--]  
C6 [09/05-12/12]

C5 III [RD\_, TD\_] [02/08--]  
C-Crosser [02/07--]

11-14 812 0011 | MEX0799

Sensor, intake manifold pressure



Notes

Pressure to [bar]	2.86
Pressure from [bar]	0.1
Number of pins	3

References

1563.J4	96 092 693
1920.J7	

Application info

Evasion [03/94-10/02]  
AX [07/86-12/98]  
BX [10/82-12/94]  
Xantia [03/93-04/03]  
ZX [03/91-07/99]

XM [05/89-10/00]  
Jumper I [02/94-08/02]  
Jumper II [02/02--]  
Xsara [04/97-03/10]

30-14 812 0004 | MEX0853

Sensor, intake manifold pressure



Notes

Pressure to [bar]	1.3
Pressure from [bar]	0.13
Number of pins	4

References

1920.KN

Application info

C1 [06/05-09/14]

C1 II [04/14--]

714 812 0001 | MEX0924

Sensor, intake manifold pressure



Notes

Pressure to [bar]	3.08
Pressure from [bar]	0.1
Number of pins	3

References

96 753 795 80

Application info

Jumper III [04/06--]

### Sensor, intake manifold pressure

714 812 0004 | MEX0997

#### Notes

Pressure to [bar]	2.91
Pressure from [bar]	0.26
Operating voltage [V]	12
Number of pins	4

#### References

1920.LA



#### Application info

Jumper III (04/06--)

### Sensor, throttle position

11-14 813 0000 | MEX0801

#### Notes

Operating voltage [V]	12
Number of pins	3

#### References

1920.1H



#### Application info

AX (07/86-12/98)  
Saxo (02/96-04/04)  
Berlingo I (07/96-12/11)  
Xantia (03/93-04/03)

ZX (03/91-07/99)  
Xsara Picasso (09/99-06/12)  
Xsara (04/97-03/10)

### Sensor, throttle position

37-14 813 0001 | MEX0906

#### Notes

Operating voltage [V]	12
Number of pins	3

#### References

1628.1E	1920.Z4
1628.L1	96 038 938



37-14 813 0001 | MEX0906

Sensor, throttle position

Application info

Evasion [03/94-10/02]  
AX [07/86-12/98]  
BX [10/82-12/94]  
Saxo [02/96-04/04]

Xantia [03/93-04/03]  
ZX [03/91-07/99]  
XM [05/89-10/00]  
Xsara [04/97-03/10]

11-14 821 0017 | MEX0808

Temperature switch, radiator fan



Notes

Spanner Size	29
Operating voltage [V]	12
Number of pins	3

References

1264.33

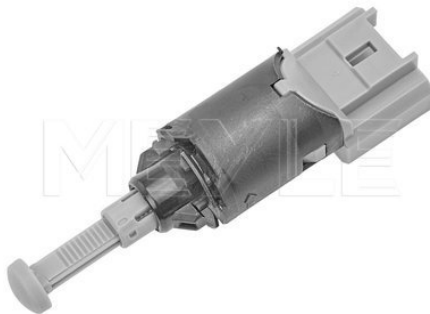
Application info

Jumper I [02/94-08/02]

Jumper II [02/02--]

11-14 890 0003 | MEX0959

Brake light switch



Notes

Observe the vehicle manufacturer specifications

Number of pins	Manual (foot operated)
	4

References

16 064 804 80	4534.63
4534.48	4534.65

Application info

Jumpy II [01/07--]  
C3 Picasso [02/09--]  
C3 II [09/09--]  
C4 I / Coupe / Grand Picasso / Picasso / Stufenheck [11/04--]

C2 / C3 I / Pluriel [02/02--]  
DS3 [11/09-12/16]  
Berlingo II [04/08--]



### Brake light switch

11-14 890 0002 | MEX0653

**Notes**

Observe the vehicle manufacturer specifications

Number of pins Manual (foot operated)  
2

**References**

4534.21 4534.52



**Application info**

AX (07/86-12/98)  
Saxo (02/96-04/04)  
Berlingo I (07/96-12/11)  
ZX (03/91-07/99)  
Xsara Picasso (09/99-06/12)

Jumpy I (06/94-12/06)  
C8 (06/02--)  
C5 I / C5 II (03/01--)  
Jumpy II (01/07--)  
C2 / C3 I / Pluriel (02/02--)

### Brake light switch

11-14 890 0001 | MEX0660

**Notes**

Observe the vehicle manufacturer specifications

Number of pins Manual (foot operated)  
4

**References**

4534 50



**Application info**

Jumper II (02/02--)

Jumper III (04/06--)

### Brake light switch

30-14 890 0000 | MEX0657

**Notes**

Observe the vehicle manufacturer specifications

Number of pins Manual (foot operated)  
4

**References**

4534 54



**Application info**

C1 (06/05-09/14)

C1 II (04/14--)

5

30-14 890 0002 | MEX1005

Brake light switch



Notes

Observe the vehicle manufacturer specifications

Number of pins

Manual (foot operated)

4

References

4534.68

Application info

C-Crosser (02/07--)

11-14 890 0000 | MEX0613

Brake light switch



Notes

Observe the vehicle manufacturer specifications

Number of pins

Manual (foot operated)

4

References

98 048 694 80

98 182 324 80

Application info

C3 Picasso (02/09--)  
C3 II (09/09--)  
C4 I / Coupe / Grand Picasso / Picasso / Stufenheck (11/04--)  
DS5 (09/11-07/15)  
C Elyse (11/12--)  
DS3 (11/09-12/16)

C4 II / DS4 (02/09--)  
Berlingo II (04/08--)  
C4 Cactus (09/14--)  
C4 Grand Picasso II (01/13--)  
C3 III (07/16--)

100 830 0014 | MEX0196

Wiper intermittent relay



Notes

Rated current [A]

10

Normally Open Contact

Rated Power [W]

120

Height [mm]

42

Width [mm]

30

Operating voltage [V]

12

Connector type

5x 6,3 mm

Connector type

1x 2,8 mm

Length [mm]

30

Number of pins

6

References

6555.11

6555.34

**Wiper intermittent relay**

**100 830 0014 | MEX0196**

**Application info**

CX I [09/74-08/85]  
BX [10/82-12/94]  
Berlingo I [07/96-12/11]  
Xantia [03/93-04/03]

ZX [03/91-07/99]  
CX II [07/85-12/92]  
XM [05/89-10/00]

**Back up light switch**

**614 123 0001 | MEX0438**

**Notes**

Thread Size  
Number of pins

Normally Open Contact  
M12 x 1,5  
2

**References**

2257.56



**Application info**

Jumper III [04/06--]

**Sensor, speed / RPM**

**40-14 899 0001 | MEX0570**

**Notes**

Operating voltage [V]  
Number of pins

Active sensor  
12  
3

**References**

6160.70



**Application info**

Evasion [03/94-10/02]  
Saxo [02/96-04/04]  
Berlingo I [07/96-12/11]  
Xantia [03/93-04/03]  
XM [05/89-10/00]

Xsara Picasso [09/99-06/12]  
Jumpy I [06/94-12/06]  
C5 I / C5 II [03/01--]  
C2 / C3 I / Pluriel [02/02--]  
Xsara [04/97-03/10]

**16-14 840 0003 | MEX1107**

**Sensor, speed / RPM**



**Notes**

Operating voltage [V]  
Number of pins

Passive sensor  
12  
2  
with cable  
with seal ring

**References**

2529.28

**Application info**

Jumpy I (06/94-12/06)  
C5 I / C5 II (03/01--)

C5 III (RD\_, TD\_) (02/08--)

### Belt tensioner

11-14 903 1003 | MBT0109

#### Notes

Driven unit: alternator

#### References

16 114 245 80	5751.C8
5751.97	96 496 758 80
5751.A2	96 520 466 80



#### Application info

Berlingo I [07/96-12/11]  
Nemo [02/08--]

Xsara [04/97-03/10]

### Belt tensioner

11-14 903 1002 | MBT0094

#### Notes

Belt Pulley Ø [mm]	65
Width [mm]	25

#### References

16 114 252 80	5751.G7
16 369 960 80	96 520 736 80
5751.C3	



#### Application info

C3 II [09/09--]  
C4 I / Coupe / Grand Picasso / Picasso / Stufenheck [11/04--]

C2 / C3 I / Pluriel [02/02--]  
C Elyse [11/12--]

### Freewheel clutch, alternator

514 053 1004 | MMX1760

#### Notes

for manufacturer number	F-236591.07
for manufacturer number	F-236591.05
Inner diameter [mm]	17
Outer diameter [mm]	54.2
Thread Size	M16x1,5
Number of ribs	6
	with cap

#### References

5702.J4



514 053 1004 | MMX1760

Freewheel clutch, alternator

Application info

Berlingo I (07/96-12/11)  
Xsara Picasso (09/99-06/12)  
Jumpy I (06/94-12/06)  
C8 (06/02--)  
Jumper II (02/02--)  
C5 I / C5 II (03/01--)  
C6 (09/05-12/12)  
Jumpy II (01/07--)  
C5 III (RD\_, TD\_) (02/08--)  
C3 Picasso (02/09--)  
Nemo (02/08--)  
C3 II (09/09--)

C4 I / Coupe / Grand Picasso / Picasso / Stufenheck (11/04--)  
C2 / C3 I / Pluriel (02/02--)  
DS5 (09/11-07/15)  
C4 AIRCROSS (08/10--)  
C Elyse (11/12--)  
DS3 (11/09-12/16)  
C4 II / DS4 (02/09--)  
Berlingo II (04/08--)  
C1 II (04/14--)  
C4 Cactus (09/14--)  
C4 Grand Picasso II (01/13--)  
C3 III (07/16--)

514 053 1003 | MMX1759

Freewheel clutch, alternator



Notes

for manufacturer number	F-232369.07/.08
for manufacturer number	F-232369.04/.05
Inner diameter [mm]	17
Outer diameter [mm]	54.1
Thread Size	M16x1,5
Number of ribs	6
	with cap

References

5705.AS	5705.NH
---------	---------

Application info

Evasion (03/94-10/02)  
Berlingo I (07/96-12/11)  
Xsara Picasso (09/99-06/12)  
Jumpy I (06/94-12/06)  
C8 (06/02--)  
Jumper II (02/02--)  
C5 I / C5 II (03/01--)  
Jumpy II (01/07--)

C5 III (RD\_, TD\_) (02/08--)  
C3 Picasso (02/09--)  
C3 II (09/09--)  
C4 I / Coupe / Grand Picasso / Picasso / Stufenheck (11/04--)  
C2 / C3 I / Pluriel (02/02--)  
C4 II / DS4 (02/09--)  
Berlingo II (04/08--)

11-14 053 1001 | MMX1755

Freewheel clutch, alternator



Notes

for manufacturer number	F-236591.06
for manufacturer number	F-236591.01/.02/.04
Inner diameter [mm]	17
Outer diameter [mm]	53.8
Number of ribs	6
	with cap

References

5705.AS

**Freewheel clutch, alternator**
**11-14 053 1001 | MMX1755**
**Application info**

Berlingo I (07/96-12/11)  
 Xsara Picasso (09/99-06/12)  
 Jumpy I (06/94-12/06)  
 C8 (06/02--)  
 C5 I / C5 II (03/01--)  
 Jumpy II (01/07--)

C5 III (RD\_, TD\_) (02/08--)  
 C3 Picasso (02/09--)  
 C4 I / Coupe / Grand Picasso / Picasso / Stufenheck (11/04--)  
 C2 / C3 I / Pluriel (02/02--)  
 Berlingo II (04/08--)

**Tension roller, ribbed belt**
**11-14 009 0009 | MTR0075**
**Notes**

Outer diameter [mm] 60  
 Width [mm] 30

**References**

16 114 228 80 5751.F4  
 5751.E6


**Application info**

Berlingo I (07/96-12/11)  
 Xsara Picasso (09/99-06/12)  
 Jumpy II (01/07--)  
 C5 III (RD\_, TD\_) (02/08--)

Nemo (02/08--)  
 C4 I / Coupe / Grand Picasso / Picasso / Stufenheck (11/04--)  
 C2 / C3 I / Pluriel (02/02--)  
 Berlingo II (04/08--)

**Tension roller, ribbed belt**
**16-14 009 0012 | MTR0087**
**Notes**

Outer diameter [mm] 60  
 Width [mm] 26.5

**References**

16 114 229 80 96 426 581 80  
 5751.98 96 463 960 80  
 5751.C9 96 554 874 80  
 5751.G3


**Application info**

Berlingo I (07/96-12/11)  
 Xsara Picasso (09/99-06/12)  
 Nemo (02/08--)  
 C3 II (09/09--)  
 Xsara (04/97-03/10)  
 C Elyse (11/12--)

DS3 (11/09-12/16)  
 Berlingo II (04/08--)  
 C1 II (04/14--)  
 C4 Cactus (09/14--)  
 C3 III (07/16--)  
 C3 AIRCROSS II (06/17--)

**11-14 009 0012 | MTR0085**

**Tension roller, ribbed belt**



**Notes**

Outer diameter [mm]	50
Width [mm]	26

**References**

16 138 384 80	96 333 152
5751.57	96 429 657
5751.96	

**Application info**

Evasion [03/94-10/02]  
Berlingo I [07/96-12/11]  
Xantia [03/93-04/03]  
Xsara Picasso [09/99-06/12]

Jumpy I [06/94-12/06]  
C5 I / C5 II [03/01--]  
C4 I / Coupe / Grand Picasso / Picasso / Stufenheck [11/04--]  
Xsara [04/97-03/10]

**714 009 0003 | MTR0073**

**Tension roller, ribbed belt**



**Notes**

Outer diameter [mm]	60
Width [mm]	30

**References**

16 138 380 80	5751.87
---------------	---------

**Application info**

Xsara Picasso [09/99-06/12]  
C5 I / C5 II [03/01--]  
C1 [06/05-09/14]

C4 I / Coupe / Grand Picasso / Picasso / Stufenheck [11/04--]  
C2 / C3 I / Pluriel [02/02--]  
Xsara [04/97-03/10]

**714 009 0000 | MTR0069**

**Tension roller, ribbed belt**



**References**

5751.F1



**Tension roller, ribbed belt**

**714 009 0000 | MTR0069**

**Application info**

Jumper III (04/06--)

**Tensioner pulley, ribbed belt**

**214 009 0004 | MMX1918**

**Notes**

Outer diameter [mm]  
Width [mm]

Driven unit: aircon compressor  
70  
22

**References**

6453.SG



**Application info**

Jumper I (02/94-08/02)  
Jumper II (02/02--)

Jumper III (04/06--)

**Tensioner pulley, timing belt**

**11-51 902 1014 | MMX1603**

**Notes**

Inner diameter [mm]  
Outer diameter [mm]  
Width [mm]

Piece  
13  
59  
22

**References**

0820.53	0829.54
0829.29	97 535 002
0829.53	



**Application info**

Evasion (03/94-10/02)  
AX (07/86-12/98)  
BX (10/82-12/94)  
Saxo (02/96-04/04)  
Berlingo I (07/96-12/11)  
Xantia (03/93-04/03)

ZX (03/91-07/99)  
XM (05/89-10/00)  
Xsara Picasso (09/99-06/12)  
C15 / Visa (09/78-10/06)  
Xsara (04/97-03/10)

**714 020 0006 | MMX1866**

**Tensioner, fan belt**



**References**

5751.F2

**Application info**

Jumper III (04/06--)

**11-51 049 0012 | MMX0516**

**Timing belt kit**



**Notes**

Article number of recommended accessories  
Number of belts

11-13 012 0102

1

Driven unit: camshaft  
HNBR (hydrogenated nitrile butadiene rubber)

Width [mm]  
Pulleys contained  
Length [mm]  
Number of Teeth

25.4

3

1276

134

**References**

0831.L7

0831.V1

**Application info**

Berlingo I (07/96-12/11)  
C2 / C3 I / Pluriel (02/02--)

Xsara (04/97-03/10)

**11-51 049 0013 | MMX0517**

**Timing belt kit**



**Notes**

Number of belts

1

Driven unit: camshaft  
HNBR (hydrogenated nitrile butadiene rubber)

Width [mm]  
Pulleys contained  
Length [mm]  
Number of Teeth

17

1

991

104

**References**

0831.86

0831.87

0831.S0

9400831869

**Timing belt kit**
**11-51 049 0013 | MMX0517**
**Application info**

 Saxo [02/96-04/04]  
 Berlingo I [07/96-12/11]  
 Nemo [02/08--]

 C3 II [09/09--]  
 C2 / C3 I / Pluriel [02/02--]  
 Xsara [04/97-03/10]

**Timing belt kit**
**11-51 049 0015 | MMX0519**
**Notes**

 Article number of recommended accessories  
 Number of belts

 11-13 220 0017  
 1  
 Driven unit: camshaft  
 HNBR (hydrogenated nitrile butadiene rubber)  
 25  
 2  
 1457  
 153

 Width [mm]  
 Pulleys contained  
 Length [mm]  
 Number of Teeth

**References**

0831.55	0831.K2
0831.65	0831.T4
0831.66	0831.T6
0831.88	831T4
0831.89	


**Application info**

 Evasion [03/94-10/02]  
 Xsara Picasso [09/99-06/12]  
 Jumpy I [06/94-12/06]  
 C8 [06/02--]

 C5 I / C5 II [03/01--]  
 C4 I / Coupe / Grand Picasso / Picasso / Stufenheck [11/04--]  
 Xsara [04/97-03/10]

**Timing belt kit**
**11-51 049 0017 | MMX0521**
**Notes**

 Article number of recommended accessories  
 Number of belts

 11-13 012 0102  
 1  
 Driven unit: camshaft  
 HNBR (hydrogenated nitrile butadiene rubber)  
 25.4  
 2  
 1276  
 134

 Width [mm]  
 Pulleys contained  
 Length [mm]  
 Number of Teeth

**References**

0831.L3	0831.R9
0831.P8	831R9


**Application info**

 Xsara Picasso [09/99-06/12]  
 C4 I / Coupe / Grand Picasso / Picasso / Stufenheck [11/04--]  
 C2 / C3 I / Pluriel [02/02--]

 Xsara [04/97-03/10]  
 C Elyse [11/12--]  
 Berlingo II [04/08--]

**11-51 902 2005 | MMX1612**

**Timing belt roller**



**Notes**

Inner diameter [mm]	10
Outer diameter [mm]	60
Width [mm]	30

**References**

0830.37	96099089
0830.63	96201309

**Application info**

Evasion [03/94-10/02]  
AX [07/86-12/98]  
Saxo [02/96-04/04]  
Berlingo I [07/96-12/11]  
Xantia [03/93-04/03]  
ZX [03/91-07/99]

XM [05/89-10/00]  
Xsara Picasso [09/99-06/12]  
Jumpy I [06/94-12/06]  
C5 I / C5 II [03/01--]  
C4 I / Coupe / Grand Picasso / Picasso / Stufenheck [11/04--]  
Xsara [04/97-03/10]

**050 005 1230 | MRB0252**

**V-ribbed belt**



**Notes**

	EPDM (ethylene propylene diene Monomer (M-class) rubber)
Number of ribs	5
Length [mm]	1230

**References**

1176.83	91541179
91541178	

**Application info**

BX [10/82-12/94]

**050 006 0890 | MRB0325**

**V-ribbed belt**



**Notes**

	EPDM (ethylene propylene diene Monomer (M-class) rubber)
Number of ribs	6
Length [mm]	890

**References**

1280.35
---------

**V-ribbed belt**

**050 006 0890 | MRB0325**

**Application info**

Jumpy I (06/94-12/06)

**V-ribbed belt**

**050 006 0950 | MRB0332**

**Notes**

EPDM (ethylene propylene diene Monomer (M-class) rubber)

Number of ribs 6  
Length [mm] 950

**References**

1280.51 16 335 689 80



**Application info**

Jumper I (02/94-08/02)

Jumper II (02/02--)

**V-ribbed belt**

**050 006 0995 | MRB0338**

**Notes**

EPDM (ethylene propylene diene Monomer (M-class) rubber)

Number of ribs 6  
Length [mm] 995

**References**

1280.47 1280.67



**Application info**

Jumper I (02/94-08/02)

Jumper II (02/02--)

**V-ribbed belt**

**050 006 1370 | MRB0406**

**Notes**

EPDM (ethylene propylene diene Monomer (M-class) rubber)

Number of ribs 6  
Length [mm] 1370

**References**

16 099 575 80



**050 006 1370 | MRB0406**

**V-ribbed belt**

**Application info**

C4 AIRCROSS (08/10--)

**050 006 1060 | MRB0350**

**V-ribbed belt**



**Notes**

Number of ribs  
Length [mm]

EPDM (ethylene propylene diene Monomer (M-class) rubber)  
6  
1060

**References**

16 11 204 980

**Application info**

ZX (03/91-07/99)

C1 II (04/14--)

**050 005 0975 | MRB0211**

**V-ribbed belt**



**Notes**

Number of ribs  
Length [mm]

EPDM (ethylene propylene diene Monomer (M-class) rubber)  
5  
975

**References**

5750.79

**Application info**

BX (10/82-12/94)

**050 005 1195 | MRB0247**

**V-ribbed belt**



**Notes**

Number of ribs  
Length [mm]

EPDM (ethylene propylene diene Monomer (M-class) rubber)  
5  
1195

**References**

5750.01

**V-ribbed belt**

**050 005 1195 | MRB0247**

**Application info**

XM (05/89-10/00)

**V-ribbed belt**

**050 005 1200 | MRB0248**

**Notes**

Number of ribs  
Length [mm]

EPDM (ethylene propylene diene Monomer [M-class] rubber)  
5  
1200

**References**

5750D1



**Application info**

XM (05/89-10/00)

**V-ribbed belt**

**050 006 0745 | MRB0305**

**Notes**

Number of ribs  
Length [mm]

EPDM (ethylene propylene diene Monomer [M-class] rubber)  
6  
745

**References**

5750.FF



**Application info**

C15 / Visa (09/78-10/06)

**V-ribbed belt**

**050 006 0875 | MRB0322**

**Notes**

Number of ribs  
Length [mm]

EPDM (ethylene propylene diene Monomer [M-class] rubber)  
6  
875

**References**

5750.FN  
5750.QR

5750.XH



**050 006 0875 | MRB0322**

**V-ribbed belt**

**Application info**

Jumper II (02/02--)

**050 006 0725 | MRB0303**

**V-ribbed belt**



**Notes**

Number of ribs  
Length [mm]

EPDM (ethylene propylene diene Monomer (M-class) rubber)  
6  
725

**References**

5750.GC  
5750.H9

5750.LC  
5750.WN

**Application info**

Berlingo I (07/96-12/11)  
ZX (03/91-07/99)  
Jumper I (02/94-08/02)  
Jumpy I (06/94-12/06)  
C3 II (09/09--)

C4 I / Coupe / Grand Picasso / Picasso / Stufenheck (11/04--)  
C2 / C3 I / Pluriel (02/02--)  
Xsara (04/97-03/10)  
C Elyse (11/12--)

**050 006 1390 | MRB0409**

**V-ribbed belt**



**Notes**

Number of ribs  
Length [mm]

EPDM (ethylene propylene diene Monomer (M-class) rubber)  
6  
1390

**References**

16 356 453 80  
5750.GJ

5750.GP

**Application info**

Berlingo I (07/96-12/11)  
Jumpy I (06/94-12/06)

Xsara (04/97-03/10)



**V-ribbed belt**
**050 006 0800 | MRB0310**
**Notes**

EPDM (ethylene propylene diene Monomer (M-class) rubber)

Number of ribs 6  
 Length [mm] 800

**References**

5750.E7	5750.YP
5750.FS	5750.ZF
5750.FT	96 154 391
5750.J0	96 401 158 80
5750.VL	96 401 159 80


**Application info**

Jumper I (02/94-08/02)	C4 AIRCROSS (08/10--)
C1 (06/05-09/14)	C Elyse (11/12--)
C3 Picasso (02/09--)	DS3 (11/09-12/16)
C3 II (09/09--)	C4 II / DS4 (02/09--)
C4 I / Coupe / Grand Picasso / Picasso / Stufenheck (11/04--)	Berlingo II (04/08--)
C2 / C3 I / Pluriel (02/02--)	

**V-ribbed belt**
**050 006 0915 | MRB0329**
**Notes**

EPDM (ethylene propylene diene Monomer (M-class) rubber)

Number of ribs 6  
 Length [mm] 915

**References**

5750.09	5750.J1
---------	---------


**Application info**

Jumper I (02/94-08/02)

**V-ribbed belt**
**050 006 1015 | MRB0341**
**Notes**

EPDM (ethylene propylene diene Monomer (M-class) rubber)

Number of ribs 6  
 Length [mm] 1015

**References**

5750.J2	96 155 010
---------	------------



**050 006 1015 | MRB0341**

**V-ribbed belt**

**Application info**

Jumper I [02/94-08/02]

**050 005 0962 | MRB0209**

**V-ribbed belt**



**Notes**

Number of ribs  
Length [mm]

EPDM (ethylene propylene diene Monomer (M-class) rubber)  
5  
962

**References**

5750.K5

**Application info**

AX [07/86-12/98]  
Saxo [02/96-04/04]

Xsara [04/97-03/10]

**050 006 1863 | MRB0481**

**V-ribbed belt**



**Notes**

Number of ribs  
Length [mm]

EPDM (ethylene propylene diene Monomer (M-class) rubber)  
6  
1863

**References**

5750.K6

**Application info**

XM [05/89-10/00]

**V-ribbed belt**
**050 006 1150 | MRB0368**
**Notes**

EPDM (ethylene propylene diene Monomer (M-class) rubber)

Number of ribs 6  
 Length [mm] 1150

**References**

5750.C9	5750.L3
5750.E9	5750.L4
5750.FP	5750.PC
5750.GX	5750.WJ
5750.J6	


**Application info**

Jumper I [02/94-08/02]

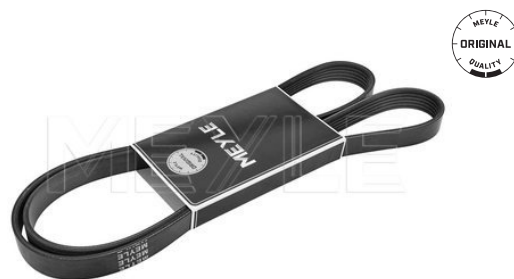
**V-ribbed belt**
**050 006 1680 | MRB0447**
**Notes**

EPDM (ethylene propylene diene Monomer (M-class) rubber)

Number of ribs 6  
 Length [mm] 1680

**References**

16 356 454 80	96 550 295 80
5750.HE	96 550 297 80
5750.PY	


**Application info**

Berlingo I [07/96-12/11]

Xsara [04/97-03/10]

**V-ribbed belt**
**050 006 1225 | MRB0383**
**Notes**

EPDM (ethylene propylene diene Monomer (M-class) rubber)

Number of ribs 5  
 Length [mm] 1225

**References**

5750.QF


**Application info**

Nemo [02/08--]

**050 006 0965 | MRB0334**

**V-ribbed belt**



**Notes**

Number of ribs  
Length [mm]

EPDM (ethylene propylene diene Monomer [M-class] rubber)  
6  
965

**References**

5750.QH  
5750.XF

98 004 531 80

**Application info**

C1 [06/05-09/14]  
DS5 [09/11-07/15]  
C Elyse [11/12--]

C4 II / DS4 [02/09--]  
C4 Grand Picasso II [01/13--]

**050 006 0850 | MRB0317**

**V-ribbed belt**



**Notes**

Number of ribs  
Length [mm]

EPDM (ethylene propylene diene Monomer [M-class] rubber)  
6  
850

**References**

5750.QK

**Application info**

C1 [06/05-09/14]

**050 006 1210 | MRB0380**

**V-ribbed belt**



**Notes**

Number of ribs  
Length [mm]

EPDM (ethylene propylene diene Monomer [M-class] rubber)  
6  
1210

**References**

5750.QN

**Application info**

C1 [06/05-09/14]

**V-ribbed belt**
**050 006 1185 | MRB0373**
**Notes**

EPDM (ethylene propylene diene Monomer (M-class) rubber)

Number of ribs 6  
 Length [mm] 1185

**References**

5750..ET	5750.GH
5750.FG	5750.QT
5750.FK	5750.XJ


**Application info**

Evasion [03/94-10/02]  
 Jumper I [02/94-08/02]  
 C8 [06/02--]

Jumper II [02/02--]  
 C5 I / C5 II [03/01--]  
 C4 I / Coupe / Grand Picasso / Picasso / Stufenheck [11/04--]

**V-ribbed belt**
**050 005 0812 | MRB0185**
**Notes**

EPDM (ethylene propylene diene Monomer (M-class) rubber)

Number of ribs 5  
 Length [mm] 812

**References**

5750.R1


**Application info**

ZX [03/91-07/99]

**V-ribbed belt**
**050 006 1565 | MRB0428**
**Notes**

EPDM (ethylene propylene diene Monomer (M-class) rubber)

Number of ribs 6  
 Length [mm] 1565

**References**

5750.RF	5750.Z3
5750.XA	9638007780
5750.Y4	


**Application info**

Saxo [02/96-04/04]  
 Berlingo I [07/96-12/11]

Nemo [02/08--]  
 Xsara [04/97-03/10]

**050 006 1670 | MRB0445**

**V-ribbed belt**



**Notes**

Number of ribs  
Length [mm]

EPDM (ethylene propylene diene Monomer (M-class) rubber)  
6  
1670

**References**

5750.RN

5750.YH

**Application info**

Jumper III (04/06--)

Nemo (02/08--)

**050 006 1350 | MRB0402**

**V-ribbed belt**



**Notes**

Number of ribs  
Length [mm]

EPDM (ethylene propylene diene Monomer (M-class) rubber)  
6  
1350

**References**

5750.RX

**Application info**

Berlingo I (07/96-12/11)  
Jumpy II (01/07--)

Nemo (02/08--)  
Berlingo II (04/08--)

**050 006 1360 | MRB0404**

**V-ribbed belt**



**Notes**

Number of ribs  
Length [mm]

EPDM (ethylene propylene diene Monomer (M-class) rubber)  
6  
1360

**References**

5750.RX

96 541 142 80

**Application info**

Berlingo II (04/08--)



### V-ribbed belt

050 006 1605 | MRB0434

#### Notes

EPDM (ethylene propylene diene Monomer (M-class) rubber)

Number of ribs 6  
Length [mm] 1605

#### References

5750.Q5 5750.S9  
5750.R2



#### Application info

ZX (03/91-07/99)

### V-ribbed belt

050 005 0860 | MRB0192

#### Notes

EPDM (ethylene propylene diene Monomer (M-class) rubber)

Number of ribs 5  
Length [mm] 860

#### References

4007.CV 5750.SF



#### Application info

Berlingo I (07/96-12/11)

### V-ribbed belt

050 005 1140 | MRB0239

#### Notes

EPDM (ethylene propylene diene Monomer (M-class) rubber)

Number of ribs 5  
Length [mm] 1140

#### References

5750SY



#### Application info

XM (05/89-10/00)

**050 006 1623 | MRB0437**

**V-ribbed belt**



**Notes**

Number of ribs  
Length [mm]

EPDM (ethylene propylene diene Monomer [M-class] rubber)  
6  
1623

**References**

5750.T0

**Application info**

Xantia [03/93-04/03]

XM [05/89-10/00]

**050 006 1095 | MRB0358**

**V-ribbed belt**



**Notes**

Number of ribs  
Length [mm]

EPDM (ethylene propylene diene Monomer [M-class] rubber)  
6  
1095

**References**

5750.J4

5750.TF

**Application info**

ZX [03/91-07/99]  
Jumper I [02/94-08/02]

Jumper II [02/02--]

**050 006 1660 | MRB0442**

**V-ribbed belt**



**Notes**

Number of ribs  
Length [mm]

EPDM (ethylene propylene diene Monomer [M-class] rubber)  
6  
1660

**References**

5750.A1  
5750.J7  
5750.T6

96 152 078  
96 152 079

**Application info**

Evasion [03/94-10/02]  
Berlingo I [07/96-12/11]  
Xantia [03/93-04/03]

ZX [03/91-07/99]  
XM [05/89-10/00]  
Xsara [04/97-03/10]



**V-ribbed belt**
**050 006 1080 | MRB0354**
**Notes**

EPDM (ethylene propylene diene Monomer [M-class] rubber)

Number of ribs 6  
 Length [mm] 1080

**References**

5750.A2 96 152 084  
 5750.J3 96 152 085  
 5750.TH


**Application info**

Evasion [03/94-10/02]  
 Berlingo I [07/96-12/11]  
 Xantia [03/93-04/03]  
 ZX [03/91-07/99]

XM [05/89-10/00]  
 DS5 [09/11-07/15]  
 Xsara [04/97-03/10]

**V-ribbed belt**
**050 006 1130 | MRB0365**
**Notes**

EPDM (ethylene propylene diene Monomer [M-class] rubber)

Number of ribs 6  
 Length [mm] 1130

**References**

5750.J5 96 144 509  
 5750.TK


**Application info**

Xantia [03/93-04/03]

Xsara [04/97-03/10]

**V-ribbed belt**
**050 006 1345 | MRB0401**
**Notes**

EPDM (ethylene propylene diene Monomer [M-class] rubber)

Number of ribs 6  
 Length [mm] 1345

**References**

5750.KV 5750.VP


**Application info**

Berlingo I [07/96-12/11]  
 Xsara Picasso [09/99-06/12]

C2 / C3 I / Pluriel [02/02--]  
 Xsara [04/97-03/10]

**Ø50 006 1740 | MRB0458**

**V-ribbed belt**



**Notes**

Number of ribs  
Length [mm]

EPDM (ethylene propylene diene Monomer [M-class] rubber)  
6  
1740

**References**

5750.GK	5750.T8
5750.L1	5750.VS
5750.L2	5750.VX
5750.R9	5750.X3
5750.S7	96 188 881

**Application info**

Evasion [03/94-10/02]  
Berlingo I [07/96-12/11]  
Xantia [03/93-04/03]  
ZX [03/91-07/99]  
Xsara Picasso [09/99-06/12]

Jumpy I [06/94-12/06]  
C8 [06/02--]  
C5 I / C5 II [03/01--]  
Xsara [04/97-03/10]

**Ø50 006 1125 | MRB0364**

**V-ribbed belt**



**Notes**

Number of ribs  
Length [mm]

EPDM (ethylene propylene diene Monomer [M-class] rubber)  
6  
1125

**References**

5750.GE	5750.VT
5750.GN	

**Application info**

ZX [03/91-07/99]

C2 / C3 I / Pluriel [02/02--]

**Ø50 006 1145 | MRB0367**

**V-ribbed belt**



**Notes**

Number of ribs  
Length [mm]

EPDM (ethylene propylene diene Monomer [M-class] rubber)  
6  
1145

**References**

5750.GW	5750.VZ
5750.K0	96 20 904 480
5750.K1	

V-ribbed belt

050 006 1145 | MRB0367

Application info

ZX (03/91-07/99)

Jumper I (02/94-08/02)

V-ribbed belt

050 006 1725 | MRB0456

Notes

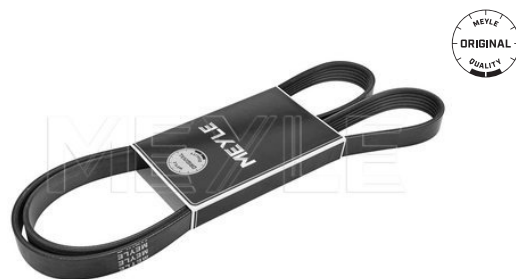
Number of ribs  
Length [mm]

EPDM (ethylene propylene diene Monomer (M-class) rubber)  
6  
1725

References

5750.FA  
5750.FC  
5750.M3  
5750.M7

5750.VG  
5750.W6  
96 245 429 80  
96 317 187 80



Application info

Xantia (03/93-04/03)  
Xsara Picasso (09/99-06/12)

Xsara (04/97-03/10)

V-ribbed belt

050 006 1110 | MRB0361

Notes

Number of ribs  
Length [mm]

EPDM (ethylene propylene diene Monomer (M-class) rubber)  
6  
1110

References

5750.L0

5750.WF



Application info

Evasion (03/94-10/02)  
Berlingo I (07/96-12/11)  
Xantia (03/93-04/03)

XM (05/89-10/00)  
Jumpy I (06/94-12/06)

**050 006 1560 | MRB0427**

**V-ribbed belt**



**Notes**

Number of ribs  
Length [mm]

EPDM (ethylene propylene diene Monomer (M-class) rubber)  
6  
1560

**References**

5750.GZ 5750.WG

**Application info**

Saxo [02/96-04/04]  
Berlingo I [07/96-12/11]

Xsara Picasso [09/99-06/12]  
Xsara [04/97-03/10]

**050 006 1163 | MRB0370**

**V-ribbed belt**



**Notes**

Number of ribs  
Length [mm]

EPDM (ethylene propylene diene Monomer (M-class) rubber)  
6  
1163

**References**

5750.,C1 5750.TN  
5750.L9 5750.WL  
5750.M9 96 236 849  
5750.RT

**Application info**

Berlingo I [07/96-12/11]  
ZX [03/91-07/99]  
Jumpy I [06/94-12/06]

Jumper III [04/06--]  
Xsara [04/97-03/10]

**050 006 1100 | MRB0359**

**V-ribbed belt**



**Notes**

Number of ribs  
Length [mm]

EPDM (ethylene propylene diene Monomer (M-class) rubber)  
6  
1100

**References**

5750.E2 5750.WR  
5750.M5

**Application info**

Evasion [03/94-10/02]  
Xantia [03/93-04/03]

ZX [03/91-07/99]

**V-ribbed belt**
**050 006 1050 | MRB0348**
**Notes**

EPDM (ethylene propylene diene Monomer (M-class) rubber)

Number of ribs 6  
 Length [mm] 1050

**References**

5750.PL 5750.WY  
 5750.PN 96 53 319 680


**Application info**

C3 II (09/09--)  
 C4 I / Coupe / Grand Picasso / Picasso / Stufenheck (11/04--)

C2 / C3 I / Pluriel (02/02--)

**V-ribbed belt**
**050 006 1070 | MRB0352**
**Notes**

EPDM (ethylene propylene diene Monomer (M-class) rubber)

Number of ribs 6  
 Length [mm] 1070

**References**

5750.98 96 152 083  
 5750.K8 96 533 197  
 5750.PQ 96 53 319 780  
 5750.WZ 96 758 744 80  
 96 152 082 98 198 332 80


**Application info**

Evasion (03/94-10/02)  
 ZX (03/91-07/99)  
 C3 II (09/09--)  
 C4 I / Coupe / Grand Picasso / Picasso / Stufenheck (11/04--)  
 C2 / C3 I / Pluriel (02/02--)  
 Xsara (04/97-03/10)

C Elyse (11/12--)  
 DS3 (11/09-12/16)  
 C4 Cactus (09/14--)  
 C3 III (07/16--)  
 C3 AIRCROSS II (06/17--)

**V-ribbed belt**
**050 006 0869 | MRB0320**
**Notes**

EPDM (ethylene propylene diene Monomer (M-class) rubber)

Number of ribs 6  
 Length [mm] 869

**References**

5750.X4



**050 006 0869 | MRB0320**

**V-ribbed belt**

**Application info**

Berlingo I [07/96-12/11]  
Jumpy I [06/94-12/06]

Xsara [04/97-03/10]

**050 006 1885 | MRB0486**

**V-ribbed belt**



**Notes**

Number of ribs  
Length [mm]

EPDM (ethylene propylene diene Monomer [M-class] rubber)  
6  
1885

**References**

5750.XC

**Application info**

C6 [09/05-12/12]

C5 III (RD\_, TD\_) [02/08--]

**050 006 1000 | MRB0339**

**V-ribbed belt**



**Notes**

Number of ribs  
Length [mm]

EPDM (ethylene propylene diene Monomer [M-class] rubber)  
6  
1000

**References**

5750.PF  
5750.XG

96 53 204 180  
96 53 204 380

**Application info**

C8 [06/02--]  
C5 I / C5 II [03/01--]  
Jumpy II [01/07--]

C5 III (RD\_, TD\_) [02/08--]  
C4 I / Coupe / Grand Picasso / Picasso / Stufenheck [11/04--]

**V-ribbed belt**

**050 006 1590 | MRB0432**

**Notes**

EPDM (ethylene propylene diene Monomer [M-class] rubber)  
 Number of ribs 6  
 Length [mm] 1590

**References**

5750.VE 5750.XK



**Application info**

C8 (06/02--)  
 C5 I / C5 II (03/01--)

C6 (09/05-12/12)  
 C5 III (RD\_, TD\_) (02/08--)

**V-ribbed belt**

**050 006 0873/E | MRB0321**

**Notes**

Permanently elastic EPDM (ethylene propylene diene Monomer [M-class] rubber)  
 Number of ribs 6  
 Length [mm] 873

**References**

5750.XP



**Application info**

Jumper III (04/06--)

**V-ribbed belt**

**050 006 1710 | MRB0453**

**Notes**

EPDM (ethylene propylene diene Monomer [M-class] rubber)  
 Number of ribs 6  
 Length [mm] 1710

**References**

5750.P2 5750.WP  
 5750.RR 5750.XR



6

+

**050 006 1710 | MRB0453**

**V-ribbed belt**

**Application info**

Evasion (03/94-10/02)  
Berlingo I (07/96-12/11)  
Xantia (03/93-04/03)  
Xsara Picasso (09/99-06/12)  
Jumpy I (06/94-12/06)  
C8 (06/02--)  
C5 I / C5 II (03/01--)

Jumpy II (01/07--)  
C5 III (RD\_, TD\_) (02/08--)  
Nemo (02/08--)  
C4 I / Coupe / Grand Picasso / Picasso / Stufenheck (11/04--)  
Xsara (04/97-03/10)  
Berlingo II (04/08--)

**050 006 1715 | MRB0454**

**V-ribbed belt**



**Notes**

Number of ribs  
Length [mm]

EPDM (ethylene propylene diene Monomer [M-class] rubber)  
6  
1715

**References**

5750.XR

**Application info**

Berlingo I (07/96-12/11)

**050 006 1743 | MRB0459**

**V-ribbed belt**



**Notes**

Number of ribs  
Length [mm]

EPDM (ethylene propylene diene Monomer [M-class] rubber)  
6  
1743

**References**

5750.HH  
5750.VX

5750.XS

**Application info**

C5 I / C5 II (03/01--)

C-Crosser (02/07--)



**V-ribbed belt**
**050 006 1468 | MRB0418**
**Notes**

EPDM (ethylene propylene diene Monomer [M-class] rubber)

Number of ribs 6  
 Length [mm] 1468

**References**

5750.EM 5750.XT  
 5750.WH 96 372 505 80  
 5750.X8


**Application info**

Evasion [03/94-10/02] Jumpy I [06/94-12/06]  
 Berlingo I [07/96-12/11] Jumper II [02/02--]  
 Jumper I [02/94-08/02] Xsara [04/97-03/10]  
 Xsara Picasso [09/99-06/12]

**V-ribbed belt**
**050 006 1045 | MRB0347**
**Notes**

EPDM (ethylene propylene diene Monomer [M-class] rubber)

Number of ribs 6  
 Length [mm] 1045

**References**

5750.W2 5750.XW


**Application info**

Berlingo I [07/96-12/11] Xsara [04/97-03/10]  
 Jumpy I [06/94-12/06]

**V-ribbed belt**
**050 006 1200 | MRB0377**
**Notes**

EPDM (ethylene propylene diene Monomer [M-class] rubber)

Number of ribs 6  
 Length [mm] 1200

**References**

5750.M0 5750.Y2


**Application info**

Xantia [03/93-04/03] Xsara Picasso [09/99-06/12]  
 XM [05/89-10/00] Xsara [04/97-03/10]

**050 006 1705 | MRB0452**

**V-ribbed belt**



**Notes**

Number of ribs  
Length [mm]

EPDM (ethylene propylene diene Monomer [M-class] rubber)  
6  
1705

**References**

5750.EK	5750.VQ
5750.F0	5750.Y5
5750.KT	5750.YA
5750.LH	96 155 949

**Application info**

Berlingo I (07/96-12/11)  
Xantia (03/93-04/03)

Xsara Picasso (09/99-06/12)  
C2 / C3 I / Pluriel (02/02--)

**050 006 1090/E | MRB0357**

**V-ribbed belt**



**Notes**

Number of ribs  
Length [mm]

Permanently elastic EPDM (ethylene propylene diene Monomer [M-class] rubber)  
6  
1090

**References**

5750.QY	96 617 288 80
5750RW	96 631 010 80
5750.YJ	

**Application info**

C4 I / Coupe / Grand Picasso / Picasso / Stufenheck (11/04--)

C2 / C3 I / Pluriel (02/02--)

**050 006 0976 | MRB0336**

**V-ribbed belt**



**Notes**

Number of ribs  
Length [mm]

EPDM (ethylene propylene diene Monomer [M-class] rubber)  
6  
976

**References**

5750.FV	5750.YS
5750.FW	96 423 837 80
5750.YQ	96 423 839 80

**V-ribbed belt**
**050 006 0976 | MRB0336**
**Application info**

 C5 III (RD\_, TD\_) (02/08--)  
 C3 Picasso (02/09--)  
 C3 II (09/09--)  
 C4 I / Coupe / Grand Picasso / Picasso / Stufenheck (11/04--)  
 C2 / C3 I / Pluriel (02/02--)  
 C4 AIRCROSS (08/10--)  
 DS3 (11/09-12/16)  
 C4 II / DS4 (02/09--)  
 Berlingo II (04/08--)  
 C4 Grand Picasso II (01/13--)  
**V-ribbed belt**
**050 006 1450 | MRB0416**
**Notes**

	EPDM (ethylene propylene diene Monomer (M-class) rubber)
Number of ribs	6
Length [mm]	1450

**References**

16 339 848 80	5750.Z1
5750.T6	96 33 727 280
5750.YC	


**Application info**

 Berlingo I (07/96-12/11)  
 Xantia (03/93-04/03)  
 Xsara Picasso (09/99-06/12)  
 C5 I / C5 II (03/01--)  
 Xsara (04/97-03/10)

**V-ribbed belt**
**050 006 1750 | MRB0460**
**Notes**

	EPDM (ethylene propylene diene Monomer (M-class) rubber)
Number of ribs	6
Length [mm]	1750

**References**

5750.GF	5750.Z6
5750.YG	5750.Z7


**Application info**

 Evasion (03/94-10/02)  
 Berlingo I (07/96-12/11)  
 Xantia (03/93-04/03)  
 Jumpy I (06/94-12/06)  
 C5 I / C5 II (03/01--)  
 Xsara (04/97-03/10)

**6**

**050 006 1438 | MRB0415**

**V-ribbed belt**



**Notes**

Number of ribs  
Length [mm]

EPDM (ethylene propylene diene Monomer (M-class) rubber)  
6  
1438

**References**

16 339 863 80  
5750.EX  
5750.EY  
5750.VF

5750.Z9  
96 411 841 80  
96 411 842 80

**Application info**

Berlingo I (07/96-12/11)  
Jumpy I (06/94-12/06)

Xsara (04/97-03/10)

**050 006 1205 | MRB0379**

**V-ribbed belt**



**Notes**

Number of ribs  
Length [mm]

EPDM (ethylene propylene diene Monomer (M-class) rubber)  
6  
1205

**References**

5750.FJ  
5750.RZ

5750.ZG

**Application info**

C8 (06/02--)  
C5 I / C5 II (03/01--)  
C6 (09/05-12/12)

C5 III (RD\_, TD\_) (02/08--)  
Berlingo II (04/08--)

**050 006 1698 | MRB0451**

**V-ribbed belt**



**Notes**

Number of ribs  
Length [mm]

EPDM (ethylene propylene diene Monomer (M-class) rubber)  
6  
1698

**References**

1177.38  
16 356 455 80  
5750.GS  
5750.J8

5750.J9  
5750.RH  
5750.VY  
5750.ZH

**V-ribbed belt**

**050 006 1698 | MRB0451**

**Application info**

Berlingo I (07/96-12/11)  
Xantia (03/93-04/03)

ZX (03/91-07/99)  
Berlingo II (04/08--)

**V-ribbed belt**

**050 006 0925 | MRB0330**

**Notes**

Number of ribs 6  
Length [mm] 925

EPDM (ethylene propylene diene Monomer [M-class] rubber)

**References**

6453.VA 6453.W0



**Application info**

Jumpy I (06/94-12/06)

**V-ribbed belt**

**050 005 0725 | MRB0179**

**Notes**

Number of ribs 5  
Length [mm] 725

EPDM (ethylene propylene diene Monomer [M-class] rubber)

**References**

5750.P5 91 541 144  
5750.P6 91 541 175  
5750.WV



**Application info**

BX (10/82-12/94)  
Saxo (02/96-04/04)

Berlingo I (07/96-12/11)

**V-ribbed belt**

**050 004 0800 | MRB0079**

**Notes**

Number of ribs 4  
Length [mm] 800

EPDM (ethylene propylene diene Monomer [M-class] rubber)

**References**

91 541 177



**050 004 0800 | MRB0079**

**V-ribbed belt**

**Application info**

Berlingo I (07/96-12/11)

**050 005 1220 | MRB0250**

**V-ribbed belt**



**Notes**

Number of ribs  
Length [mm]

EPDM (ethylene propylene diene Monomer (M-class) rubber)  
5  
1220

**References**

5750FQ  
5750FR

5750VK  
91 541 179

**Application info**

Berlingo I (07/96-12/11)

**050 005 1125 | MRB0236**

**V-ribbed belt**



**Notes**

Number of ribs  
Length [mm]

EPDM (ethylene propylene diene Monomer (M-class) rubber)  
5  
1125

**References**

95 006 268

**Application info**

XM (05/89-10/00)

**050 005 1270 | MRB0257**

**V-ribbed belt**



**Notes**

Number of ribs  
Length [mm]

EPDM (ethylene propylene diene Monomer (M-class) rubber)  
5  
1270

**References**

96 014 241

**V-ribbed belt**

**050 005 1270 | MRB0257**

**Application info**

BX (10/82-12/94)

**V-ribbed belt**

**050 005 1165 | MRB0243**

**Notes**

Number of ribs  
Length [mm]

EPDM (ethylene propylene diene Monomer (M-class) rubber)  
5  
1165

**References**

96 056 833



**Application info**

XM (05/89-10/00)

**V-ribbed belt**

**050 004 0815 | MRB0082**

**Notes**

Number of ribs  
Length [mm]

EPDM (ethylene propylene diene Monomer (M-class) rubber)  
4  
815

**References**

96 117 374



**Application info**

ZX (03/91-07/99)

**V-ribbed belt**

**050 006 0698 | MRB0302**

**Notes**

Number of ribs  
Length [mm]

EPDM (ethylene propylene diene Monomer (M-class) rubber)  
6  
698

**References**

96 142 840

96 152 080



**050 006 0698 | MRB0302**

**V-ribbed belt**

**Application info**

ZX [03/91-07/99]  
Jumper I [02/94-08/02]

Jumper II [02/02--]

**050 005 0884 | MRB0197**

**V-ribbed belt**



**Notes**

Number of ribs  
Length [mm]

EPDM (ethylene propylene diene Monomer [M-class] rubber)  
5  
884

**References**

5750.Q7  
96 129 662

96 155 377

**Application info**

Berlingo I [07/96-12/11]

ZX [03/91-07/99]

**050 005 1255 | MRB0255**

**V-ribbed belt**



**Notes**

Number of ribs  
Length [mm]

EPDM (ethylene propylene diene Monomer [M-class] rubber)  
5  
1255

**References**

5750R0  
5750.TT

96129654  
96155379

**Application info**

Saxo [02/96-04/04]  
Berlingo I [07/96-12/11]

ZX [03/91-07/99]  
Xsara [04/97-03/10]

**050 003 0865 | MRB0035**

**V-ribbed belt**



**Notes**

Number of ribs  
Length [mm]

EPDM (ethylene propylene diene Monomer [M-class] rubber)  
3  
865

**References**

1280.39

1280.62



**V-ribbed belt**

**050 003 0865 | MRB0035**

**Application info**

Jumper I (02/94-08/02)

**V-ribbed belt**

**050 004 0698 | MRB0061**

**Notes**

Number of ribs  
Length [mm]

EPDM (ethylene propylene diene Monomer (M-class) rubber)  
4  
698

**References**

5750G8 93 501 676  
5750SQ 93 502 487  
91 536 222



**Application info**

BX (10/82-12/94)  
ZX (03/91-07/99)

C15 / Visa (09/78-10/06)

**V-ribbed belt**

**050 004 0755 | MRB0070**

**Notes**

Number of ribs  
Length [mm]

EPDM (ethylene propylene diene Monomer (M-class) rubber)  
4  
755

**References**

5750.P1 95 612 377  
5750WT



**Application info**

Jumper I (02/94-08/02)

Jumper II (02/02--)

**V-ribbed belt**

**050 004 0810 | MRB0081**

**Notes**

Number of ribs  
Length [mm]

EPDM (ethylene propylene diene Monomer (M-class) rubber)  
4  
810

**References**

5750G9 96 117 374  
6453E5



**050 004 0810 | MRB0081**

**V-ribbed belt**

**Application info**

ZX [03/91-07/99]

**050 004 0855 | MRB0090**

**V-ribbed belt**



**Notes**

Number of ribs  
Length [mm]

EPDM (ethylene propylene diene Monomer (M-class) rubber)  
4  
855

**References**

5750Q9  
96 019 294

96 019 295

**Application info**

Berlingo I [07/96-12/11]

**050 004 0860 | MRB0091**

**V-ribbed belt**



**Notes**

Number of ribs  
Length [mm]

EPDM (ethylene propylene diene Monomer (M-class) rubber)  
4  
860

**References**

5750Q9  
5750V0

5750XV  
9643903780

**Application info**

Saxo [02/96-04/04]  
ZX [03/91-07/99]

Xsara [04/97-03/10]

**050 004 0900 | MRB0099**

**V-ribbed belt**



**Notes**

Number of ribs  
Length [mm]

EPDM (ethylene propylene diene Monomer (M-class) rubber)  
4  
900

V-ribbed belt

050 004 0900 | MRB0099

Application info

Jumpy I (06/94-12/06)

V-ribbed belt

050 004 0922/E | MRB0105

Notes

Number of ribs 4  
Length [mm] 922

Permanently elastic EPDM (ethylene propylene diene Monomer (M-class) rubber)

References

4009P2 4009Q4



Application info

Jumper III (04/06--)

V-ribbed belt

050 004 0945 | MRB0111

Notes

Number of ribs 4  
Length [mm] 945

EPDM (ethylene propylene diene Monomer (M-class) rubber)

References

1280.28 1280.60



Application info

XM (05/89-10/00)

Jumper I (02/94-08/02)

V-ribbed belt

050 004 0954 | MRB0113

Notes

Number of ribs 4  
Length [mm] 954

EPDM (ethylene propylene diene Monomer (M-class) rubber)

References

5750H1 91508762  
5750SS 91 536 703  
91 508 755 96 001 123



6

**050 004 0954 | MRB0113**

**V-ribbed belt**

**Application info**

BX [10/82-12/94]

ZX [03/91-07/99]

**050 004 1025 | MRB0127**

**V-ribbed belt**



**Notes**

Number of ribs  
Length [mm]

EPDM (ethylene propylene diene Monomer (M-class) rubber)  
4  
1025

**References**

5750L7  
91 536 227

95 666 985

**Application info**

AX [07/86-12/98]

**050 004 1265 | MRB0152**

**V-ribbed belt**



**Notes**

Number of ribs  
Length [mm]

EPDM (ethylene propylene diene Monomer (M-class) rubber)  
4  
1265

**Application info**

BX [10/82-12/94]

**050 005 0760 | MRB0181**

**V-ribbed belt**



**Notes**

Number of ribs  
Length [mm]

EPDM (ethylene propylene diene Monomer (M-class) rubber)  
5  
760

**References**

5750.TR

96 173 680

**V-ribbed belt**

**050 005 0760 | MRB0181**

**Application info**

XM (05/89-10/00)

**V-ribbed belt**

**050 005 0850 | MRB0190**

**Notes**

EPDM (ethylene propylene diene Monomer (M-class) rubber)

Number of ribs 5  
Length [mm] 850

**References**

5750.C4 5750.H5



**Application info**

XM (05/89-10/00)

**V-ribbed belt**

**050 005 0880 | MRB0196**

**Notes**

EPDM (ethylene propylene diene Monomer (M-class) rubber)

Number of ribs 5  
Length [mm] 880

**References**

5750.Q7 5750.SE



**Application info**

Saxo (02/96-04/04)  
Berlingo I (07/96-12/11)

Xsara (04/97-03/10)

**V-ribbed belt**

**050 005 1015 | MRB0219**

**Notes**

EPDM (ethylene propylene diene Monomer (M-class) rubber)

Number of ribs 5  
Length [mm] 1015



6

**050 005 1015 | MRB0219**

**V-ribbed belt**

**Application info**

BX [10/82-12/94]

**050 005 1030 | MRB0221**

**V-ribbed belt**



**Notes**

Number of ribs  
Length [mm]

EPDM (ethylene propylene diene Monomer (M-class) rubber)  
5  
1030

**References**

5750P7  
6453TX

96 126 957

**Application info**

Saxo [02/96-04/04]

**050 005 1050 | MRB0225**

**V-ribbed belt**



**Notes**

Number of ribs  
Length [mm]

EPDM (ethylene propylene diene Monomer (M-class) rubber)  
5  
1050

**References**

5750.Q1  
5750.Q2

5750XE  
96 261 720

**Application info**

Saxo [02/96-04/04]

**050 005 1100 | MRB0231**

**V-ribbed belt**



**Notes**

Number of ribs  
Length [mm]

EPDM (ethylene propylene diene Monomer (M-class) rubber)  
5  
1100

**References**

6453CV  
6453FK

6453NX  
6453TZ

**V-ribbed belt**

**050 005 1100 | MRB0231**

**Application info**

Jumper I (02/94-08/02)

Jumper II (02/02--)

**V-ribbed belt**

**050 005 1155 | MRB0242**

**Notes**

EPDM (ethylene propylene diene Monomer (M-class) rubber)  
Number of ribs 5  
Length [mm] 1155

**References**

96 152 090 96 152 091



**Application info**

XM (05/89-10/00)

**V-ribbed belt**

**050 006 1190 | MRB0374**

**Notes**

EPDM (ethylene propylene diene Monomer (M-class) rubber)  
Number of ribs 6  
Length [mm] 1190

**References**

1177.19 5750.VJ  
5750.FG E117719



**Application info**

XM (05/89-10/00)  
Jumpy I (06/94-12/06)

C5 I / C5 II (03/01--)

**V-ribbed belt**

**050 006 1735 | MRB0457**

**Notes**

EPDM (ethylene propylene diene Monomer (M-class) rubber)  
Number of ribs 6  
Length [mm] 1735

**References**

5750L2 5750YF  
5750R5 5750Z5  
5750W0 96188881  
5750X7



**050 006 1735 | MRB0457**

**V-ribbed belt**

**Application info**

Xantia [03/93-04/03]

XM [05/89-10/00]

**11-14 223 0003 | MET0132**

**Expansion tank**



**Notes**

Article number of recommended accessories

11-14 238 0000  
without sensor  
without lid

**References**

1323.A3

96 811 616 80

**Application info**

C4 I / Coupe / Grand Picasso / Picasso / Stufenheck [11/04--]

**11-14 223 0002 | MET0135**

**Expansion tank**



**Notes**

Article number of recommended accessories

11-14 238 0000  
without lid

**References**

1323.X6

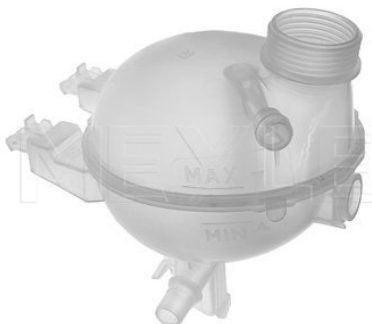
**Application info**

C4 I / Coupe / Grand Picasso / Picasso / Stufenheck [11/04--]  
DS5 [09/11-07/15]

C4 II / DS4 [02/09--]  
Berlingo II [04/08--]

**11-14 223 0000 | MET0115**

**Expansion tank**



**Notes**

Article number of recommended accessories

314 238 0005  
without lid

**References**

1323.T9

98 007 772 80



**Expansion tank**

11-14 223 0000 | MET0115

**Application info**

C3 Picasso [02/09--]  
C3 II [09/09--]  
C2 / C3 I / Pluriel [02/02--]  
C Elyse [11/12--]

DS3 [11/09-12/16]  
C4 Cactus [09/14--]  
C3 III [07/16--]  
C3 AIRCROSS II [06/17--]

**Expansion tank cap**

314 238 0005 | MMX1516

**Notes**

Pressure [bar]

with seal  
1.4

**References**

1306.J5



**Application info**

Saxo [02/96-04/04]  
Berlingo I [07/96-12/11]  
Xsara Picasso [09/99-06/12]  
Jumpy I [06/94-12/06]  
C8 [06/02--]  
C5 I / C5 II [03/01--]  
C1 [06/05-09/14]  
C6 [09/05-12/12]  
Jumpy II [01/07--]  
C5 III [RD\_, TD\_] [02/08--]  
C3 Picasso [02/09--]  
C3 II [09/09--]

C4 I / Coupe / Grand Picasso / Picasso / Stufenheck [11/04--]  
C2 / C3 I / Pluriel [02/02--]  
DS5 [09/11-07/15]  
Xsara [04/97-03/10]  
C Elyse [11/12--]  
DS3 [11/09-12/16]  
C4 II / DS4 [02/09--]  
Berlingo II [04/08--]  
C1 II [04/14--]  
C4 Cactus [09/14--]  
C4 Grand Picasso II [01/13--]

**Radiator cap**

11-14 238 0000 | MMX0504

**References**

1306.C9

1306.E4



**Application info**

Xsara Picasso [09/99-06/12]  
Jumpy I [06/94-12/06]  
C8 [06/02--]

C5 I / C5 II [03/01--]  
C2 / C3 I / Pluriel [02/02--]  
Xsara [04/97-03/10]

**214 236 0004 | MRM0138**

**Radiator fan motor**



**Notes**

Rated Power [W] 450  
with radiator fan shroud  
Voltage [V] 12

**References**

1250.J3

**Application info**

Jumper III (04/06--)

**11-14 236 0001 | MRM0145**

**Radiator fan motor**



**Notes**

Number of Wings 6  
Rated Power [W] 320  
Diameter [mm] 386  
Voltage [V] 12

**References**

1253.F0 1253.K2  
1253.F8 1253.K4  
1253.G7 1253.K7

**Application info**

C4 I / Coupe / Grand Picasso / Picasso / Stufenheck (11/04--)  
DS5 (09/11-07/15)

C4 II / DS4 (02/09--)  
Berlingo II (04/08--)

**11-14 236 0002 | MRM0146**

**Radiator fan motor**



**References**

1250.G1 1253.GP  
1250.G2 1253.K1  
1250.G4 1253.Q8  
1250.G5 1253.QP

**Application info**

C5 I / C5 II (03/01--)

**Radiator fan motor**

**11-14 236 0000 | MRM0135**

**Notes**

Rated Power [W]                      300  
with radiator fan shroud  
Voltage [V]                                12

**References**

1253.H6                                    96 752 809 80  
1253.P8                                    98 120 285 80



**Application info**

C3 II (09/09--)  
C2 / C3 I / Pluriel (02/02--)  
C Elyse (11/12--)

C4 Cactus (09/14--)  
C3 AIRCROSS II (06/17--)

**Radiator hose**

**11-19 222 0008 | MRH0403**

**Notes**

from water pump to engine  
EPDM (ethylene propylene  
diene Monomer [M-class]  
rubber]  
without clamps

**References**

1323.T1



**Application info**

Jumper III (04/06--)

**Radiator hose**

**11-19 222 0000 | MRH0417**

**Notes**

from water pump to engine  
without clamps  
Centre

**References**

1336.V3                                    96 415 222 80



**Application info**

C1 (06/05-09/14)  
Nemo (02/08--)

C2 / C3 I / Pluriel (02/02--)  
Xsara (04/97-03/10)

**219 222 0007 | MRH0386**

**Radiator hose**



**Notes**

from connecting pipe to thermostat  
EPDM (ethylene propylene diene Monomer (M-class) rubber)  
without clamps

**References**

1342.18

**Application info**

Nemo [02/08--]

**11-19 222 0006 | MRH0359**

**Radiator hose**



**Notes**

EPDM (ethylene propylene diene Monomer (M-class) rubber)  
without clamps  
Upper

**References**

1343.HX

**Application info**

C4 I / Coupe / Grand Picasso / Picasso / Stufenheck [11/04--]

**11-19 222 0003 | MRH0363**

**Radiator hose**



**Notes**

EPDM (ethylene propylene diene Monomer (M-class) rubber)  
without clamps  
Upper

**References**

1343.EZ

1343.LC

**Application info**

C3 II [09/09--]

C2 / C3 I / Pluriel [02/02--]

**Radiator hose**

**11-19 222 0002 | MRH0362**

**Notes**

EPDM (ethylene propylene diene Monomer (M-class) rubber)  
without clamps  
Lower

**References**

1351.FR



**Application info**

C3 II (09/09--)

C2 / C3 I / Pluriel (02/02--)

**Radiator hose**

**11-19 222 0005 | MRH0382**

**Notes**

EPDM (ethylene propylene diene Monomer (M-class) rubber)  
without clamps  
Lower

**References**

1351.PK



**Application info**

Jumper III (04/06--)

**Radiator hose**

**11-19 222 0004 | MRH0364**

**Notes**

EPDM (ethylene propylene diene Monomer (M-class) rubber)  
without clamps  
Lower

**References**

1351.Z1



**Application info**

Berlingo I (07/96-12/11)

**11-28 228 0006 | MTH0143**

**Thermostat**



**Notes**

Opening Temperature [°C]

with seal  
83

**References**

1336.AX

**Application info**

Jumpy II (01/07--)  
C5 III (RD\_, TD\_) (02/08--)  
C3 Picasso (02/09--)  
C3 II (09/09--)  
C4 I / Coupe / Grand Picasso / Picasso / Stufenheck (11/04--)  
DS5 (09/11-07/15)  
C4 AIRCROSS (08/10--)

C Elyse (11/12--)  
DS3 (11/09-12/16)  
C4 II / DS4 (02/09--)  
Berlingo II (04/08--)  
C4 Cactus (09/14--)  
C4 Grand Picasso II (01/13--)

**11-28 228 0001 | MTH0120**

**Thermostat**



**Notes**

Opening Temperature [°C]

with seal  
89

**References**

1336.Q1

**Application info**

Evasion (03/94-10/02)  
Saxo (02/96-04/04)  
Berlingo I (07/96-12/11)  
Xsara Picasso (09/99-06/12)

Jumpy I (06/94-12/06)  
C4 I / Coupe / Grand Picasso / Picasso / Stufenheck (11/04--)  
Xsara (04/97-03/10)

**11-28 228 0002 | MTH0119**

**Thermostat**



**Notes**

Opening Temperature [°C]

with seal  
89

**References**

1336.Q2

**Thermostat**
**11-28 228 0002 | MTH0119**
**Application info**

 Saxo [02/96-04/04]  
 Berlingo I [07/96-12/11]  
 Nemo [02/08--]

 C2 / C3 I / Pluriel [02/02--]  
 Xsara [04/97-03/10]

**Thermostat**
**11-28 228 0004 | MTH0127**
**Notes**

 Opening Temperature [°C] 83  
 Number of pins 2

**References**

1336.V6


**Application info**

 C1 [06/05-09/14]  
 Nemo [02/08--]

 C2 / C3 I / Pluriel [02/02--]  
 Xsara [04/97-03/10]

**Thermostat**
**11-28 228 0007 | MTH0144**
**Notes**

Opening Temperature [°C] with seal 83

**References**

1336.X2


**Application info**

 Berlingo I [07/96-12/11]  
 Xsara Picasso [09/99-06/12]  
 C5 I / C5 II [03/01--]

 Jumpy II [01/07--]  
 C4 I / Coupe / Grand Picasso / Picasso / Stufenheck [11/04--]  
 C2 / C3 I / Pluriel [02/02--]

**11-28 228 0009 | MTH0174**

**Thermostat**



**Notes**

Opening Temperature [°C]

with seal  
83

**References**

1336.Y9

**Application info**

C8 (06/02--)  
C5 I / C5 II (03/01--)  
Jumpy II (01/07--)

C5 III (RD\_, TD\_) (02/08--)  
C4 I / Coupe / Grand Picasso / Picasso / Stufenheck (11/04--)

**11-28 228 0003 | MTH0171**

**Thermostat**



**Notes**

Opening Temperature [°C]

with seal  
91

**References**

1336.Z0

**Application info**

Berlingo I (07/96-12/11)  
Xsara Picasso (09/99-06/12)  
C4 I / Coupe / Grand Picasso / Picasso / Stufenheck (11/04--)  
C2 / C3 I / Pluriel (02/02--)

C Elyse (11/12--)  
Berlingo II (04/08--)  
C3 III (07/16--)

**11-28 228 0010 | MTH0188**

**Thermostat**



**Notes**

Opening Temperature [°C]

with seal  
103

**References**

1336.Z2

**Application info**

C3 II (09/09--)

C2 / C3 I / Pluriel (02/02--)





### Thermostat

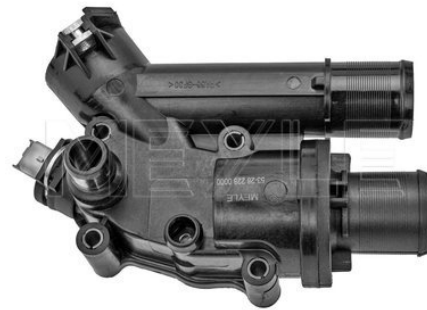
53-28 228 0000 | MTH0192

#### Notes

Opening Temperature [°C] 83

#### References

1336.Z4



#### Application info

C8 (06/02--)  
C5 I / C5 II (03/01--)  
C6 (09/05-12/12)

C5 III (RD\_, TD\_) (02/08--)  
C-Crosser (02/07--)

### Thermostat

11-28 228 0008 | MTH0156

#### Notes

Opening Temperature [°C] 83

#### References

1338.23



#### Application info

Evasion (03/94-10/02)  
Berlingo I (07/96-12/11)  
Xantia (03/93-04/03)  
ZX (03/91-07/99)  
Xsara Picasso (09/99-06/12)  
Jumpy I (06/94-12/06)

C8 (06/02--)  
Jumper II (02/02--)  
C5 I / C5 II (03/01--)  
C4 I / Coupe / Grand Picasso / Picasso / Stufenheck (11/04--)  
Xsara (04/97-03/10)

### Thermostat

028 289 0000 | MTH0038

#### Notes

Opening Temperature [°C] with seal 89

#### References

1337.27 1338.44



**028 289 0000 | MTH0038**

**Thermostat**

**Application info**

Evasion (03/94-10/02)  
AX (07/86-12/98)  
BX (10/82-12/94)  
Saxo (02/96-04/04)  
Berlingo I (07/96-12/11)  
Xantia (03/93-04/03)

ZX (03/91-07/99)  
XM (05/89-10/00)  
Jumper I (02/94-08/02)  
C15 / Visa (09/78-10/06)  
Xsara (04/97-03/10)

**11-28 228 0000 | MTH0048**

**Thermostat**



**Notes**

Opening Temperature [°C]

with seal  
Synthetic Material Housing  
89

**References**

1338.A0

**Application info**

Xsara Picasso (09/99-06/12)  
C8 (06/02--)  
C5 I / C5 II (03/01--)  
Jumpy II (01/07--)

C5 III (RD\_, TD\_) (02/08--)  
C4 I / Coupe / Grand Picasso / Picasso / Stufenheck (11/04--)  
Xsara (04/97-03/10)

**728 228 0002 | MTH0131**

**Thermostat**



**Notes**

Opening Temperature [°C]

with seal  
88

**References**

1338.F5

**Application info**

Jumper III (04/06--)

### Thermostat

**30-28 228 0009 | MTH0133**

#### Notes

Opening Temperature [°C] with seal 82

#### References

1338.E8 16 124 253 80



#### Application info

C1 [06/05-09/14]

C1 II [04/14--]

### Thermostat

**11-28 228 0005 | MTH0183**

#### Notes

Opening Temperature [°C] with seal 83

#### References

96 758 493 80 96 764 095 80



#### Application info

C3 II [09/09--]  
C Elyse [11/12--]  
DS3 [11/09-12/16]  
C1 II [04/14--]

C4 Cactus [09/14--]  
C3 III [07/16--]  
C3 AIRCROSS II [06/17--]

### Thermostat

**728 228 0003 | MTH0150**

#### Notes

Opening Temperature [°C] 83

#### References

1336.AS 98 036 487 80  
96 821 415 80



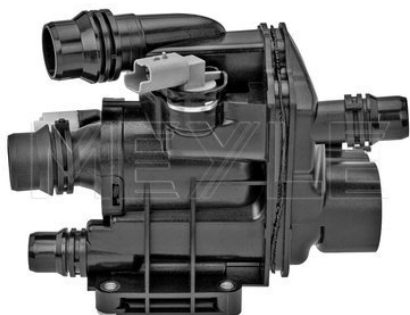
#### Application info

C8 [06/02--]  
Jumpy II [01/07--]  
C5 III (RD\_, TD\_) [02/08--]

C4 I / Coupe / Grand Picasso / Picasso / Stufenheck [11/04--]  
DS5 [09/11-07/15]  
C4 II / DS4 [02/09--]

**11-28 228 0011 | MTH0190**

**Thermostat**



**Notes**

Opening Temperature [°C]

with seal  
with housing  
97

**References**

98 071 984 80

**Application info**

C3 Picasso [02/09--]  
C3 II [09/09--]  
DS3 [11/09-12/16]  
C4 II / DS4 [02/09--]  
Berlingo II [04/08--]

C4 Cactus [09/14--]  
C4 Grand Picasso II [01/13--]  
C3 III [07/16--]  
C3 AIRCROSS II [06/17--]  
C4 SPACETOURER / GRAND SPACETOURER [04/18--]

**11-13 012 0163 | MWP0076**

**Water pump**



**Notes**

New part without deposit

Article number of the recommended special tool

Quality  
Number of Teeth

for toothed belt drive

999 990 0002  
with seal  
Sealed with SiC/SiC  
20

**References**

1201.39  
1201.63

91 511 136  
95 656 566

**Application info**

BX [10/82-12/94]  
ZX [03/91-07/99]

C15 / Visa [09/78-10/06]

**11-13 220 0005 | MWP0083**

**Water pump**



**Notes**

New part without deposit

Article number of the recommended special tool

Quality  
Number of Teeth

for toothed belt drive

999 990 0002  
with seal  
Sealed with SiC/SiC  
20

**References**

1201.AB



## Water pump

11-13 220 0005 | MWP0083

### Application info

Evasion [03/94-10/02]  
BX [10/82-12/94]  
Berlingo I [07/96-12/11]  
Xantia [03/93-04/03]

ZX [03/91-07/99]  
Jumper I [02/94-08/02]  
Jumpy I [06/94-12/06]  
Xsara [04/97-03/10]

## Water pump

11-13 220 0001 | MWP0079

### Notes

New part without deposit

Article number of the recommended special tool

Quality  
Number of Teeth

for toothed belt drive

999 990 0002  
with seal  
Sealed with SiC/SiC  
20

### References

1201.C4



### Application info

Evasion [03/94-10/02]  
Berlingo I [07/96-12/11]  
Xantia [03/93-04/03]  
Jumper I [02/94-08/02]  
Xsara Picasso [09/99-06/12]  
Jumpy I [06/94-12/06]

C8 [06/02--]  
Jumper II [02/02--]  
C5 I / C5 II [03/01--]  
C15 / Visa [09/78-10/06]  
C4 I / Coupe / Grand Picasso / Picasso / Stufenheck [11/04--]  
Xsara [04/97-03/10]

## Water pump

11-13 220 0002 | MWP0080

### Notes

New part without deposit

Article number of the recommended special tool

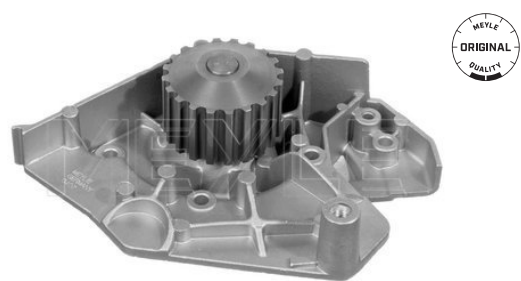
Number of Teeth

for toothed belt drive

999 990 0002  
with seal  
20

### References

1201.55                      1201.C6  
1201.A7                      1201.E0  
1201.C5



### Application info

Evasion [03/94-10/02]  
Xantia [03/93-04/03]

XM [05/89-10/00]

6

**11-13 012 0102 | MWP0071**

**Water pump**



**Notes**

New part without deposit

for toothed belt drive

Article number of the recommended special tool

999 990 0002  
with seal

Number of Teeth

19

**References**

1201.A2

1201.E5

**Application info**

Saxo [02/96-04/04]  
Berlingo I [07/96-12/11]  
Xsara Picasso [09/99-06/12]  
C4 I / Coupe / Grand Picasso / Picasso / Stufenheck [11/04--]  
C2 / C3 I / Pluriel [02/02--]

Xsara [04/97-03/10]  
C Elyse [11/12--]  
Berlingo II [04/08--]  
C3 III [07/16--]

**11-13 012 0158 | MWP0074**

**Water pump**



**Notes**

New part without deposit

for toothed belt drive

Article number of the recommended special tool

999 990 0002  
with seal

Quality  
Number of Teeth

Sealed with SiC/SiC  
20

**References**

1201.58  
1201.E4  
1201.E6

1207.25  
96 085 642 80

**Application info**

AX [07/86-12/98]  
BX [10/82-12/94]  
Saxo [02/96-04/04]

Xsara Picasso [09/99-06/12]  
C15 / Visa [09/78-10/06]  
Xsara [04/97-03/10]

**513 220 0002 | MWP0430**

**Water pump**



**Notes**

New part without deposit

for toothed belt drive

Article number of the recommended special tool

999 990 0002  
with seal

Quality  
Number of Teeth

Sealed with SiC/SiC  
19

**References**

1201.E8

**Water pump**

**513 220 0002 | MWP0430**

**Application info**

C8 (06/02--)  
Jumper II (02/02--)  
C5 I / C5 II (03/01--)

Jumpy II (01/07--)  
C5 III (RD\_, TD\_) (02/08--)  
C4 I / Coupe / Grand Picasso / Picasso / Stufenheck (11/04--)

**Water pump**

**11-13 220 0008 | MWP0086**

**Notes**

New part without deposit

for toothed belt drive

Article number of the recommended special tool

999 990 0002  
with seal  
28

Number of Teeth

**References**

1201.E9

1201.F6



**Application info**

C8 (06/02--)  
C5 I / C5 II (03/01--)

C6 (09/05-12/12)  
C5 III (RD\_, TD\_) (02/08--)

**Water pump**

**11-13 220 0003 | MWP0081**

**Notes**

New part without deposit

for toothed belt drive

Article number of the recommended special tool

999 990 0002  
with seal  
18

Number of Teeth

**References**

1201.G0



**Application info**

Saxo (02/96-04/04)  
Berlingo I (07/96-12/11)  
ZX (03/91-07/99)  
Nemo (02/08--)

C3 II (09/09--)  
C2 / C3 I / Pluriel (02/02--)  
Xsara (04/97-03/10)

**713 220 0008 | MWP0498**

**Water pump**



**Notes**

New part without deposit

Article number of the recommended special tool

Quality  
Number of Teeth

**References**

1201.F9

for toothed belt drive

999 990 0002  
with seal  
Metal Housing  
Sealed with SiC/SiC  
21

1201.G8

**Application info**

C1 [06/05-09/14]  
Nemo [02/08--]  
C3 II [09/09--]

C2 / C3 I / Pluriel [02/02--]  
Xsara [04/97-03/10]  
DS3 [11/09-12/16]

**713 220 0008/HD | MWP0498HD**

**Water pump**



**Notes**

New part without deposit  
Article number of the recommended special tool

Quality  
Number of Teeth  
reinforced version

**References**

1201.F9

Stainless Steel  
Plastic  
Fiberglass

999 990 0002  
for toothed belt drive  
Heat-resistant  
with seal  
Metal Housing  
Sealed with SiC/SiC  
21

1201.G8

**Application info**

C1 [06/05-09/14]  
Nemo [02/08--]  
C3 II [09/09--]

C2 / C3 I / Pluriel [02/02--]  
Xsara [04/97-03/10]  
DS3 [11/09-12/16]



## Water pump

**11-13 220 0004 | MWP0082**

### Notes

New part without deposit

Article number of the recommended special tool

 Quality  
 Number of Teeth

for toothed belt drive

**999 990 0002**  
 with seal  
 Sealed with SiC/SiC  
 19

### References

 1201.G1  
 1201.G9

**16 094 176 80**


### Application info

 Berlingo I [07/96-12/11]  
 Xsara Picasso [09/99-06/12]  
 C5 I / C5 II [03/01--]  
 Jumpy II [01/07--]  
 C5 III (RD\_, TD\_) [02/08--]  
 C3 Picasso [02/09--]  
 C3 II [09/09--]  
 C4 I / Coupe / Grand Picasso / Picasso / Stufenheck [11/04--]  
 C2 / C3 I / Pluriel [02/02--]  
 DS5 [09/11-07/15]  
 C4 AIRCROSS [08/10--]  
 C Elyse [11/12--]

 DS3 [11/09-12/16]  
 C4 II / DS4 [02/09--]  
 Berlingo II [04/08--]  
 C4 Cactus [09/14--]  
 C4 Grand Picasso II [01/13--]  
 Jumpy III [04/16--]  
 Spacetourer [04/16--]  
 C3 III [07/16--]  
 C3 AIRCROSS II [06/17--]  
 C4 SPACETOURER / GRAND SPACETOURER [04/18--]  
 Berlingo III [06/18--]

## Water pump

**11-13 220 0004/HD | MWP0082HD**

### Notes

New part without deposit

Article number of the recommended special tool

 Quality  
 Number of Teeth  
 reinforced version

 Stainless Steel  
 Plastic  
 Fiberglass

**999 990 0002**  
 for toothed belt drive  
 Heat-resistant  
 with seal  
 Sealed with SiC/SiC  
 19

### References

 1201.G1  
 1201.G9

**16 094 176 80**


**11-13 220 0004/HD | MWP0082HD**

**Water pump**

**Application info**

Berlingo I (07/96-12/11)  
Xsara Picasso (09/99-06/12)  
C5 I / C5 II (03/01--)  
Jumpy II (01/07--)  
C5 III (RD\_, TD\_) (02/08--)  
C3 Picasso (02/09--)  
C3 II (09/09--)  
C4 I / Coupe / Grand Picasso / Picasso / Stufenheck (11/04--)  
C2 / C3 I / Pluriel (02/02--)  
DS5 (09/11-07/15)  
C4 AIRCROSS (08/10--)  
C Elyse (11/12--)

DS3 (11/09-12/16)  
C4 II / DS4 (02/09--)  
Berlingo II (04/08--)  
C4 Cactus (09/14--)  
C4 Grand Picasso II (01/13--)  
Jumpy III (04/16--)  
Spacetourer (04/16--)  
C3 III (07/16--)  
C3 AIRCROSS II (06/17--)  
C4 SPACETOURER / GRAND SPACETOURER (04/18--)  
Berlingo III (06/18--)

**11-13 220 0014 | MWP0089**

**Water pump**



**Notes**

New part without deposit  
Article number of the recommended special tool

999 990 0002  
with seal

**References**

1201.C9

1201.H5

**Application info**

Jumper I (02/94-08/02)

Jumper II (02/02--)

**11-13 220 0023 | MWP0096**

**Water pump**



**Notes**

New part without deposit  
Article number of the recommended special tool

999 990 0002  
with seal  
with housing  
Sealed with SiC/SiC

Quality

**References**

1201.H6

**Application info**

Jumper III (04/06--)

**Water pump**
**11-13 220 0020 | MWP0093**
**Notes**

 New part without deposit  
 Article number of the recommended special tool

 999 990 0002  
 with seal  
 Sealed with SiC/SiC

Quality

**References**

1201.H8

98 015 733 80


**Application info**

 C5 III (RD\_, TD\_) (02/08--)  
 C3 Picasso (02/09--)  
 C3 II (09/09--)  
 C4 I / Coupe / Grand Picasso / Picasso / Stufenheck (11/04--)  
 DS5 (09/11-07/15)  
 DS3 (11/09-12/16)

 C4 II / DS4 (02/09--)  
 Berlingo II (04/08--)  
 C4 Grand Picasso II (01/13--)  
 C4 SPACETOURER / GRAND SPACETOURER (04/18--)  
 C5 AIRCROSS (11/18--)

**Water pump**
**11-13 220 0024 | MWP0097**
**Notes**

New part without deposit

Article number of the recommended special tool

Number of ribs

**References**

1201.J4

for v-ribbed belt use

 999 990 0002  
 with seal  
 6

1201.K0


**Application info**

Jumper III (04/06--)

**Water pump**
**40-13 220 0004 | MWP0419**
**Notes**

New part without deposit

Article number of the recommended special tool

 Quality  
 Number of Teeth

**References**

1201.K2

for toothed belt drive

 999 990 0002  
 with seal  
 Sealed with SiC/SiC  
 18

16 135 185 80


**6**
**+**

40-13 220 0004 | MWP0419

Water pump

Application info

C8 (06/02--)  
Jumpy II (01/07--)  
C5 III (RD\_, TD\_) (02/08--)

C4 I / Coupe / Grand Picasso / Picasso / Stufenheck (11/04--)  
DS5 (09/11-07/15)  
C4 II / DS4 (02/09--)

11-13 220 0025 | MWP0098

Water pump



Notes

New part without deposit  
Article number of the recommended special tool

999 990 0002  
with seal

References

1201.J9

1201.K4

Application info

C-Crosser (02/07--)

11-13 220 0019 | MWP0092

Water pump



Notes

New part without deposit

Article number of the recommended special tool

for v-ribbed belt use

999 990 0002  
with attachment material  
with seal

References

1201.H0  
1201.J0

1201.L1  
1201.L3

Application info

C1 (06/05-09/14)



### Water pump

11-13 220 0019/HD | MWP0092HD

#### Notes

New part without deposit  
Article number of the recommended special tool

Stainless Steel  
999 990 0002  
for v-ribbed belt use  
Heat-resistant  
with seal  
Sealed with SiC/SiC

Quality

#### References

1201.H0  
1201.J0

1201.L1  
1201.L3



#### Application info

C1 [06/05-09/14]

### Water pump

613 220 0002 | MWP0443

#### Notes

New part without deposit  
Article number of the recommended special tool

for v-ribbed belt use  
999 990 0002  
with seal  
Aluminium Housing  
Sealed with SiC/SiC  
6

Quality  
Number of ribs

#### References

1201.L9

16 265 144 80



#### Application info

Nemo [02/08--]

### Water pump

11-13 012 0723 | MWP0078

#### Notes

New part without deposit  
Article number of the recommended special tool

for toothed belt drive  
999 990 0002  
with seal  
Sealed with SiC/SiC  
20

Quality  
Number of Teeth

#### References

1201.47  
1201.E3  
1207.18

1207.23  
94 510 012 63  
96 173 769 80



6



**11-13 012 0723 | MWP0078**

**Water pump**

**Application info**

AX [07/86-12/98]  
BX [10/82-12/94]  
Saxo [02/96-04/04]  
Berlingo I [07/96-12/11]

ZX [03/91-07/99]  
C15 / Visa [09/78-10/06]  
Xsara [04/97-03/10]

**32-13 220 0017 | MWP0608**

**Water pump**



**Notes**

New part without deposit  
Article number of the recommended special tool

999 990 0002  
with seal  
Sealed with SiC/SiC

Quality

**References**

16 078 528 80

**Application info**

C4 AIRCROSS [08/10--]

**11-13 220 0006 | MWP0084**

**Water pump**



**Notes**

New part without deposit

for toothed belt drive

Article number of the recommended special tool

999 990 0002  
with seal  
Sealed with SiC/SiC  
18

Quality

Number of Teeth

**References**

1201.G2

1609417180

**Application info**

C4 I / Coupe / Grand Picasso / Picasso / Stufenheck [11/04--]

C2 / C3 I / Pluriel [02/02--]

## Water pump

**11-13 220 0017 | MWP0091**

### Notes

New part without deposit

Article number of the recommended special tool

 Quality  
 Number of Teeth

for toothed belt drive

 999 990 0002  
 with seal  
 with housing  
 Sealed with SiC/SiC  
 20

### References

 1201.E1  
 1201.E7  
 1201.F4  
 1201.F5  
 1201.G4

 1201.G5  
 1201.J2  
 1201.K1  
 1201.L2  
 1609417480


### Application info

 Evasion (03/94-10/02)  
 Xsara Picasso (09/99-06/12)  
 Jumpy I (06/94-12/06)  
 C8 (06/02--)  
 C5 I / C5 II (03/01--)

 Jumpy II (01/07--)  
 C5 III (RD\_, TD\_) (02/08--)  
 C4 I / Coupe / Grand Picasso / Picasso / Stufenheck (11/04--)  
 Xsara (04/97-03/10)

## Water pump

**11-13 220 0021 | MWP0094**

### Notes

New part without deposit

Article number of the recommended special tool

 Quality  
 Number of Teeth

for toothed belt drive

 999 990 0002  
 with seal  
 Sealed with SiC/SiC  
 19

### References

 1201.H7  
 1201.J6  
 1610278080

 16 230 987 80  
 16 371 729 80


### Application info

 C8 (06/02--)  
 C5 I / C5 II (03/01--)  
 C8 (09/05-12/12)  
 Jumper III (04/06--)  
 C5 III (RD\_, TD\_) (02/08--)  
 C-Crosser (02/07--)  
 DS5 (09/11-07/15)

 C4 II / DS4 (02/09--)  
 C4 Grand Picasso II (01/13--)  
 Jumpy III (04/16--)  
 Spacetourer (04/16--)  
 C4 SPACETOURER / GRAND SPACETOURER (04/18--)  
 C5 AIRCROSS (11/18--)

**30-13 220 0026 | MWP0607**

**Water pump**



**Notes**

New part without deposit  
Article number of the recommended special tool

999 990 0002  
for v-ribbed belt use  
with seal  
Sealed with SiC/SiC

Quality

**References**

16 115 501 80

16 235 619 80

**Application info**

C1 II [04/14--]

**11-13 220 0028 | MWP0636**

**Water pump**



**Notes**

New part without deposit  
Article number of the recommended special tool

999 990 0002  
with seal

**References**

16 289 417 80

**Application info**

C Elyse [11/12--]  
C4 Cactus [09/14--]  
Jumpy III [04/16--]  
Spacetourer [04/16--]  
C3 III [07/16--]

C3 AIRCROSS II [06/17--]  
C4 SPACETOURER / GRAND SPACETOURER [04/18--]  
Berlingo III [06/18--]  
C5 AIRCROSS [11/18--]

**11-13 220 0027 | MWP0571**

**Water pump**



**Notes**

New part without deposit  
Article number of the recommended special tool

999 990 0002  
for v-ribbed belt use  
with seal  
3

Number of ribs

**References**

98 030 943 80



**Water pump**

**11-13 220 0027 | MWP0571**

**Application info**

C3 Picasso (02/09--)  
C3 II (09/09--)  
DS3 (11/09-12/16)  
C4 II / DS4 (02/09--)  
Berlingo II (04/08--)  
C4 Cactus (09/14--)

C4 Grand Picasso II (01/13--)  
C3 III (07/16--)  
C3 AIRCROSS II (06/17--)  
C4 SPACETOURER / GRAND SPACETOURER (04/18--)  
Berlingo III (06/18--)  
C5 AIRCROSS (11/18--)

**Water pump**

**11-13 220 0026 | MWP0554**

**Notes**

New part without deposit  
Article number of the recommended special tool

Quality  
Number of ribs

**References**

9803442480

999 990 0002  
for v-ribbed belt use  
with seal  
Sealed with SiC/SiC  
3



**Application info**

C3 II (09/09--)  
C Elyse (11/12--)  
DS3 (11/09-12/16)  
C1 II (04/14--)

C4 Cactus (09/14--)  
C3 III (07/16--)  
C3 AIRCROSS II (06/17--)

**Air filter**

**11-12 014 4402 | MAF0083**

**Notes**

Inner diameter [mm]  
Outer diameter [mm]  
Height [mm]

**References**

1444.99

84  
161  
286  
Filter Insert

1444.TY



**Application info**

Jumper I (02/94-08/02)

Jumper II (02/02--)

**11-12 014 4409 | MAF0084**

**Air filter**



**Notes**

Inner diameter [mm]	100
Outer diameter [mm]	160
Height [mm]	181
	Filter Insert

**References**

1444.A1

**Application info**

C25 [07/81-07/94]

Jumper I [02/94-08/02]

**36-12 321 0005 | MAF0491**

**Air filter**



**Notes**

Inner diameter 2 [mm]	48
Inner diameter 1 [mm]	90
Inner diameter [mm]	95
Outer diameter [mm]	137
Height [mm]	208
	Filter Insert

**References**

1444.A5

**Application info**

AX [07/86-12/98]  
Saxo [02/96-04/04]

Xsara [04/97-03/10]

**11-12 014 4485 | MAF0087**

**Air filter**



**Notes**

Inner diameter 2 [mm]	78
Inner diameter 1 [mm]	116
Inner diameter [mm]	102
Outer diameter [mm]	140
Height [mm]	164
	Filter Insert

**References**

1444.A7	95 659 354
95 658 433	

**Application info**

AX [07/86-12/98]  
BX [10/82-12/94]  
Saxo [02/96-04/04]  
Berlingo I [07/96-12/11]

ZX [03/91-07/99]  
C15 / Visa [09/78-10/06]  
Xsara [04/97-03/10]

**Air filter**
**11-12 321 0001 | MAF0089**
**Notes**

 Height [mm] 83  
 Width [mm] 168  
 Length [mm] 205  
 Filter Insert

**References**

 1444.CA 1444.CK  
 1444.CC 1444.VQ  
 1444.CJ

**Application info**

Berlingo I [07/96-12/11]

**Air filter**
**11-12 321 0004 | MAF0092**
**Notes**

 Height [mm] 59  
 Width [mm] 153  
 Length [mm] 357  
 Filter Insert

**References**

 1444.CV 1444.FN  
 1444.EZ

**Application info**

 C5 I / C5 II [03/01--]  
 C6 [09/05-12/12]

C5 III [RD\_, TD\_] [02/08--]

**Air filter**
**11-12 321 0017 | MAF0105**
**Notes**

 Inner diameter [mm] 94  
 Outer diameter [mm] 140  
 Height [mm] 167  
 Filter Insert

**References**

1444.E5


**Application info**

 Saxo [02/96-04/04]  
 Berlingo I [07/96-12/11]

Xsara [04/97-03/10]

**11-12 321 0022 | MAF0110**

**Air filter**



**Notes**

Height [mm]	63
Width [mm]	132.5
Length [mm]	249
	Filter Insert

**References**

1444.ER	1444.TK
1444.ET	E147299

**Application info**

C5 I / C5 II (03/01--)  
Jumpy II (01/07--)

C5 III (RD\_, TD\_) (02/08--)

**11-12 321 0032 | MAF0120**

**Air filter**



**Notes**

Height [mm]	65
Width [mm]	153
Length [mm]	324
	Filter Insert

**References**

1444.EV	1444.XF
1444.EW	E147223
1444.TP	E147224

**Application info**

C5 I / C5 II (03/01--)

C5 III (RD\_, TD\_) (02/08--)

**40-12 321 0001 | MAF0545**

**Air filter**



**Notes**

Height [mm]	49.5
Width [mm]	101
Length [mm]	350
	Filter Insert

**References**

1444.FC	1444.TL
---------	---------

**Application info**

C4 I / Coupe / Grand Picasso / Picasso / Stufenheck (11/04--)

**Air filter**
**11-12 321 0030 | MAF0118**
**Notes**

Height [mm]	82
Width [mm]	168
Length [mm]	247
	Filter Insert

**References**

1444.FG	1444.TA
---------	---------


**Application info**

C4 I / Coupe / Grand Picasso / Picasso / Stufenheck (11/04--)

**Air filter**
**11-12 321 0020 | MAF0108**
**Notes**

Inner diameter [mm]	67
Outer diameter [mm]	113
Height [mm]	213
	Filter Insert

**References**

1444.H2


**Application info**

Berlingo I (07/96-12/11)

Xsara (04/97-03/10)

**Air filter**
**11-12 321 0012 | MAF0100**
**Notes**

Height [mm]	58
Width [mm]	170
Length [mm]	206
	Filter Insert

**References**

1444.J3

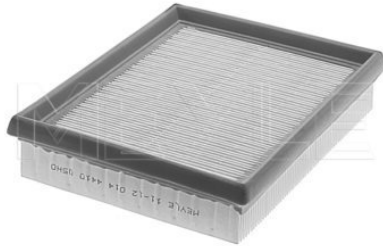

**Application info**

Xsara Picasso (09/99-06/12)

Xsara (04/97-03/10)

**11-12 014 4410 | MAF0085**

**Air filter**



**Notes**

Height [mm]	42
Width [mm]	170
Length [mm]	206
	Filter Insert

**References**

1444.J5

**Application info**

Xsara Picasso [09/99-06/12]

Xsara [04/97-03/10]

**11-12 321 0002 | MAF0090**

**Air filter**



**Notes**

Height [mm]	50
Width [mm]	102
Length [mm]	335
	Filter Insert

**References**

1444.CZ	1444.X0
1444.K5	1444.X0
1444.VJ	

**Application info**

Berlingo I [07/96-12/11]  
C3 II [09/09--]

C2 / C3 I / Pluriel [02/02--]  
C Elyse [11/12--]

**30-12 321 0002 | MAF0334**

**Air filter**



**Notes**

Height [mm]	44
Width [mm]	114
Length [mm]	260
	Filter Insert

**References**

1444.PW

**Application info**

C1 [06/05-09/14]



### Air filter

11-12 321 0035 | MAF0658

#### Notes

Height [mm]	84
Width [mm]	182
Length [mm]	358
	Filter Insert

#### References

1444.QA	96 555 357 80
---------	---------------



#### Application info

C6 (09/05-12/12)

C5 III (RD\_, TD\_) (02/08--)

### Air filter

11-12 321 0008 | MAF0096

#### Notes

Height [mm]	65
Width [mm]	102
Length [mm]	354
	Filter Insert with pre-filter

#### References

1444.QJ



#### Application info

C4 I / Coupe / Grand Picasso / Picasso / Stufenheck (11/04--)

### Air filter

11-12 321 0007 | MAF0095

#### Notes

Height [mm]	42
Width [mm]	147
Length [mm]	360
	Filter Insert

#### References

1444.QS



#### Application info

C4 I / Coupe / Grand Picasso / Picasso / Stufenheck (11/04--)

**11-12 321 0023 | MAF0111**

**Air filter**



**Notes**

Height [mm] 85  
Width [mm] 148  
Length [mm] 346  
Filter Insert

**References**

1444.QX 1444.WN

**Application info**

C8 [06/02--]

Jumpy II [01/07--]

**11-12 321 0034 | MAF0122**

**Air filter**



**Notes**

Height [mm] 67  
Width [mm] 142  
Length [mm] 351  
Filter Insert

**References**

1444.QZ 96 583 379 80

**Application info**

C5 I / C5 II [03/01--]  
C6 [09/05-12/12]

C5 III [RD\_, TD\_] [02/08--]

**11-12 321 0042 | MAF0129**

**Air filter**



**Notes**

Height [mm] 57  
Width [mm] 202  
Width 1 [mm] 109  
Length [mm] 276  
Filter Insert

**References**

1444.R6 1444.WP

**Application info**

Berlingo I [07/96-12/11]

Xsara [04/97-03/10]



**Air filter**
**11-12 321 0013 | MAF0101**
**Notes**

Height [mm]	56
Width [mm]	85
Length [mm]	494
	Filter Insert

**References**

1444.RK	1444.XG
---------	---------


**Application info**

C3 Picasso (02/09--)	C4 II / DS4 (02/09--)
C3 II (09/09--)	Berlingo II (04/08--)
C4 I / Coupe / Grand Picasso / Picasso / Stufenheck (11/04--)	C4 Grand Picasso II (01/13--)
DS3 (11/09-12/16)	

**Air filter**
**11-12 321 0005 | MAF0093**
**Notes**

Height [mm]	73
Width [mm]	84
Length [mm]	494
	Filter Insert

**References**

1444.RW
---------


**Application info**

C3 Picasso (02/09--)	DS3 (11/09-12/16)
C3 II (09/09--)	C4 II / DS4 (02/09--)
C4 I / Coupe / Grand Picasso / Picasso / Stufenheck (11/04--)	Berlingo II (04/08--)

**Air filter**
**212 321 0021 | MAF0277**
**Notes**

Inner diameter [mm]	97
Outer diameter [mm]	169
Height [mm]	303
	Filter Insert

**References**

1444.SG	1444.SR
---------	---------


**Application info**

Jumper III (04/06--)
----------------------

**6**

**212 321 0020 | MAF0276**

**Air filter**



**Notes**

Inner diameter 1 [mm]	95
Inner diameter [mm]	97
Outer diameter [mm]	170
Height [mm]	303
	Filter Insert

**References**

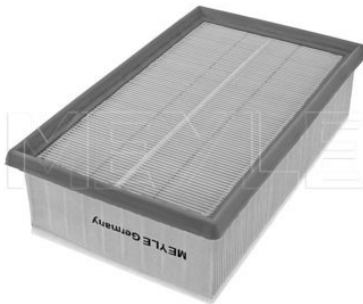
1444.QV	1444.SQ
---------	---------

**Application info**

Jumper III (04/06--)

**11-12 321 0031 | MAF0119**

**Air filter**



**Notes**

Height [mm]	77
Width [mm]	167
Length [mm]	277
	Filter Insert

**References**

1444.QP	1444.TE
1444.RP	

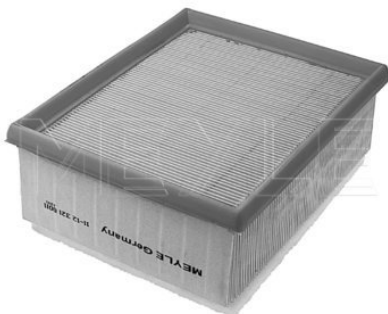
**Application info**

C4 I / Coupe / Grand Picasso / Picasso / Stufenheck (11/04--)  
DS5 (09/11-07/15)

C4 II / DS4 (02/09--)

**11-12 321 0011 | MAF0099**

**Air filter**



**Notes**

Height [mm]	80
Width [mm]	170
Length [mm]	206
	Filter Insert with pre-filter

**References**

1444.QE	1444.R3
1444.R1	1444.TF

**Application info**

Xsara Picasso (09/99-06/12)

Xsara (04/97-03/10)

**Air filter**

**11-12 321 0036 | MAF0123**

**Notes**

Height [mm] 86  
Width [mm] 178  
Length [mm] 303  
Filter Insert

**References**

1444.TG



**Application info**

C6 (09/05-12/12)

C5 III (RD\_, TD\_) (02/08--)

**Air filter**

**11-12 321 0027 | MAF0115**

**Notes**

Height [mm] 42  
Width [mm] 147  
Length [mm] 359  
Filter Insert

**References**

1444.TT



**Application info**

C5 III (RD\_, TD\_) (02/08--)  
C4 I / Coupe / Grand Picasso / Picasso / Stufenheck (11/04--)  
DS5 (09/11-07/15)  
DS3 (11/09-12/16)

C4 II / DS4 (02/09--)  
C4 Grand Picasso II (01/13--)  
C4 SPACETOURER / GRAND SPACETOURER (04/18--)  
C5 AIRCROSS (11/18--)

**Air filter**

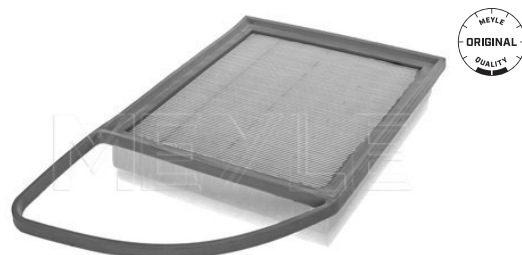
**11-12 321 0019 | MAF0107**

**Notes**

Height [mm] 57  
Width [mm] 205  
Length [mm] 348  
Filter Insert

**References**

1444.TV



**11-12 321 0019 | MAF0107**

**Air filter**

**Application info**

Berlingo I (07/96-12/11)  
Jumpy II (01/07--)  
C5 III (RD\_, TD\_) (02/08--)  
C3 Picasso (02/09--)  
C3 II (09/09--)  
C4 I / Coupe / Grand Picasso / Picasso / Stufenheck (11/04--)  
DS5 (09/11-07/15)  
C4 AIRCROSS (08/10--)  
C Elyse (11/12--)

DS3 (11/09-12/16)  
C4 II / DS4 (02/09--)  
Berlingo II (04/08--)  
C4 Cactus (09/14--)  
C4 Grand Picasso II (01/13--)  
Jumpy III (04/16--)  
Spacetourer (04/16--)  
C3 III (07/16--)  
C3 AIRCROSS II (06/17--)

**11-12 321 0003 | MAF0091**

**Air filter**



**Notes**

Height [mm]	85.3
Width [mm]	168
Length [mm]	246
	Filter Insert

**References**

1444.FJ	1444.TZ
1444.FL	

**Application info**

C4 I / Coupe / Grand Picasso / Picasso / Stufenheck (11/04--)

**11-12 321 0018 | MAF0106**

**Air filter**



**Notes**

Height [mm]	69
Width [mm]	170
Width 2 [mm]	117
Length [mm]	187
	Filter Insert

**References**

1444.SW	1444.V3
---------	---------

**Application info**

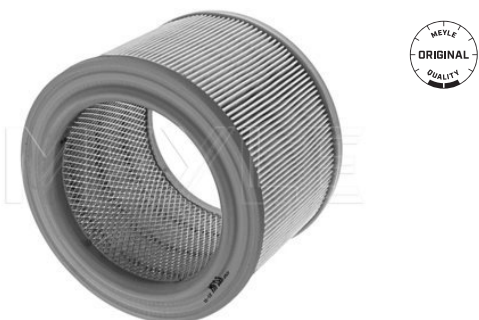
Berlingo I (07/96-12/11)

**Air filter**
**11-12 321 0010 | MAF0098**
**Notes**

Inner diameter [mm]	118
Outer diameter [mm]	168
Height [mm]	124
	Filter Insert

**References**

1444.F5	1444.WH
1444.G1	95 605 128
1444.VF	


**Application info**

 Berlingo I [07/96-12/11]  
 ZX [03/91-07/99]

 C15 / Visa [09/78-10/06]  
 Xsara [04/97-03/10]

**Air filter**
**11-12 321 0024 | MAF0112**
**Notes**

Height [mm]	55
Width [mm]	95
Length [mm]	425
	Filter Insert

**References**

1444.FE	1444.VK
1444.PR	E147302


**Application info**

 Xsara Picasso [09/99-06/12]  
 C4 I / Coupe / Grand Picasso / Picasso / Stufenheck [11/04--]

Berlingo II [04/08--]

**Air filter**
**11-12 321 0016 | MAF0104**
**Notes**

Height [mm]	49
Width [mm]	91
Length [mm]	332
	Filter Insert

**References**

1444.VL


**Application info**

C3 II [09/09--]

**11-12 014 4419 | MAF0086**

**Air filter**



**Notes**

Height [mm]	57
Width [mm]	156
Length [mm]	326
	Filter Insert without pre-filter

**References**

1444.A4	1444.T3
1444.A8	1444.T4
1444.A9	1444.T5
1444.F4	1444.T6
1444.H5	1444.T9
1444.H6	1444.VT
1444.H7	1444.VV
1444.R7	1444.W8
1444.T1	95 618 786
1444.T2	

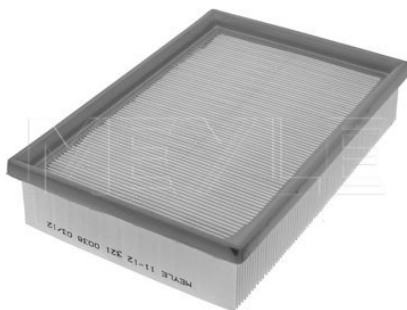
**Application info**

Evasion [03/94-10/02]  
AX [07/86-12/98]  
BX [10/82-12/94]  
Xantia [03/93-04/03]  
ZX [03/91-07/99]

Jumper I [02/94-08/02]  
Jumpy I [06/94-12/06]  
C8 [06/02--]  
C5 I / C5 II [03/01--]  
Jumpy II [01/07--]

**11-12 321 0038 | MAF0125**

**Air filter**



**Notes**

Height [mm]	48
Width [mm]	168
Length [mm]	248
	Filter Insert

**References**

1444.FH	1444.VV
---------	---------

**Application info**

C4 I / Coupe / Grand Picasso / Picasso / Stufenheck [11/04--]

**11-12 321 0029 | MAF0117**

**Air filter**



**Notes**

Height [mm]	67
Width [mm]	184
Length [mm]	246
	Filter Insert

**References**

1444.FK	1444.VX
---------	---------

**Air filter**

11-12 321 0029 | MAF0117

**Application info**

C4 I / Coupe / Grand Picasso / Picasso / Stufenheck (11/04--)

**Air filter**

11-12 321 0041 | MAF0128

**Notes**

Inner diameter [mm]	75
Outer diameter [mm]	113
Height [mm]	242
	Filter Insert

**References**

1444.E7	94 014 459 68
1444.F2	95 658 437
1444.J7	95 658 483
1444.WA	



**Application info**

Xantia (03/93-04/03)  
ZX (03/91-07/99)

C15 / Visa (09/78-10/06)  
Xsara (04/97-03/10)

**Air filter**

32-12 321 0002 | MAF0447

**Notes**

Height [mm]	68
Width [mm]	185
Length [mm]	270
	Filter Insert

**References**

1444.WW



**Application info**

C-Crosser (02/07--)

**Air filter**

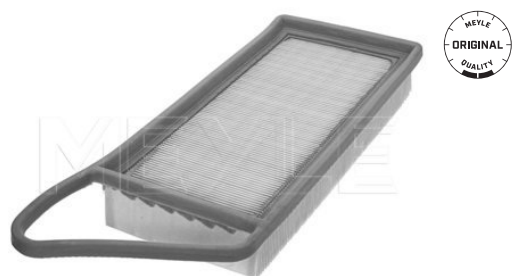
11-12 321 0009 | MAF0097

**Notes**

Height [mm]	48
Width [mm]	139
Length [mm]	385
	Filter Insert

**References**

1444.X3	96 422 120 80
1444.X7	96 452 957 80



**11-12 321 0009 | MAF0097**

**Air filter**

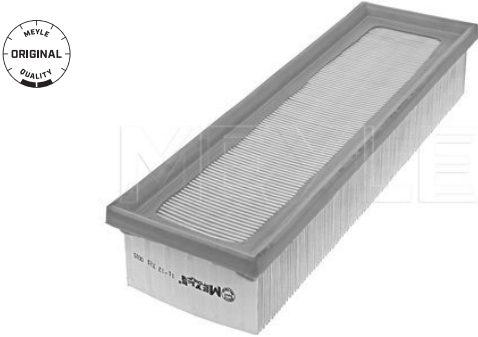
**Application info**

C1 [06/05-09/14]  
Nemo [02/08--]  
C3 II [09/09--]

C2 / C3 I / Pluriel [02/02--]  
Xsara [04/97-03/10]

**11-12 321 0015 | MAF0103**

**Air filter**



**Notes**

Height [mm]	58
Width [mm]	102
Length [mm]	335
	Filter Insert

**References**

1444.EC	1444.X1
1444.EF	1444.X4
1444.VH	

**Application info**

Berlingo I [07/96-12/11]  
C3 II [09/09--]

C2 / C3 I / Pluriel [02/02--]  
C Elyse [11/12--]

**11-12 321 0014 | MAF0102**

**Air filter**



**Notes**

Height 1 [mm]	48
Height [mm]	54
Width [mm]	113
Length [mm]	319
	Filter Insert

**References**

1444.TJ	E147242
1444.X5	

**Application info**

Berlingo I [07/96-12/11]  
Xsara Picasso [09/99-06/12]  
C3 Picasso [02/09--]  
C3 II [09/09--]

C4 I / Coupe / Grand Picasso / Picasso / Stufenheck [11/04--]  
C2 / C3 I / Pluriel [02/02--]  
Berlingo II [04/08--]





### Air filter

11-12 321 0021 | MAF0109

#### Notes

Height [mm]	42.5
Width [mm]	145
Length [mm]	334.5
	Filter Insert

#### References

1444.SE	1444.XC
---------	---------



#### Application info

Nemo [02/08--]

### Air filter

11-12 321 0025 | MAF0113

#### Notes

Height [mm]	54
Width [mm]	184.5
Length [mm]	268
	Filter Insert

#### References

1444.RU	1444.SJ
1444.SA	1444.XE



#### Application info

C-Crosser [02/07--]

### Air filter

212 321 0023 | MAF0279

#### Notes

Height 2 [mm]	48.5
Height 1 [mm]	32
Height [mm]	50
Width [mm]	121
Length [mm]	355
	Filter Insert

#### References

1444.XK



#### Application info

Nemo [02/08--]

**30-12 321 0016 | MAF0348**

**Air filter**



**Notes**

Height [mm]	51
Width [mm]	169
Length [mm]	249
	Filter Insert

**References**

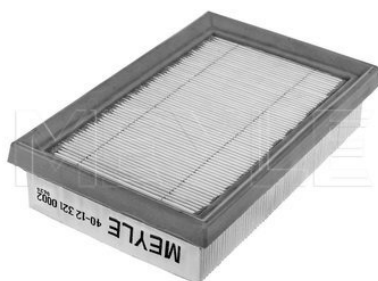
16 076 733 80

**Application info**

C4 AIRCROSS (08/10--)

**40-12 321 0002 | MAF0679**

**Air filter**



**Notes**

Height [mm]	40
Width [mm]	118
Length [mm]	178
	Filter Insert

**References**

16 124 967 80

16 163 688 80

**Application info**

C1 II (04/14--)

**112 129 0005 | MAF0132**

**Air filter**



**Notes**

Inner diameter [mm]	222
Outer diameter [mm]	282
Height [mm]	62
	Filter Insert

**References**

95 558 218

95 559 627

**Application info**

C15 / Visa (09/78-10/06)

**Air filter**
**11-12 014 4486 | MAF0088**
**Notes**

Height [mm]	50
Width [mm]	101
Length [mm]	298
	Filter Insert

**References**

96 144 871


**Application info**

 Berlingo I [07/96-12/11]  
 Xantia [03/93-04/03]

 ZX [03/91-07/99]  
 Xsara [04/97-03/10]

**Air filter**
**40-12 321 0004 | MAF0688**
**Notes**

Height [mm]	58
Width [mm]	121
Length [mm]	240
	Filter Insert

**References**

96 74 725 580


**Application info**

 C3 II [09/09--]  
 C Elyse [11/12--]  
 DS3 [11/09-12/16]

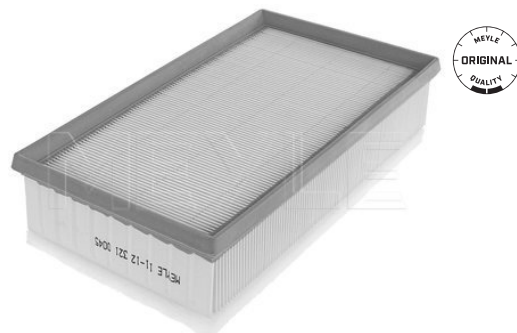
 C4 Cactus [09/14--]  
 C3 III [07/16--]  
 C3 AIRCROSS II [06/17--]

**Air filter**
**11-12 321 0045 | MAF0752**
**Notes**

Height [mm]	70
Width [mm]	161
Length [mm]	291
	Filter Insert with pre-filter

**References**

98 000 975 80


**Application info**

 C4 II / DS4 [02/09--]  
 C4 Grand Picasso II [01/13--]  
 Jumpy III [04/16--]

 Spacetourer [04/16--]  
 C4 SPACETOURER / GRAND SPACETOURER [04/18--]  
 C5 AIRCROSS [11/18--]

**40-12 321 0003 | MAF0687**

**Air filter**



**Notes**

Height [mm]	Set
Width [mm]	46.5
Length [mm]	137
	350
	Filter Insert

**References**

98 055 520 80

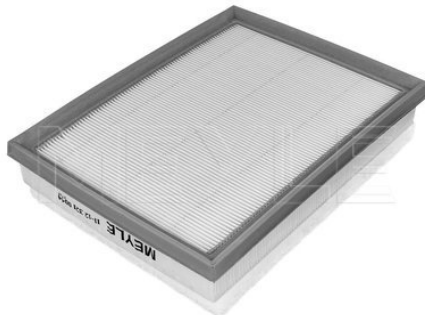
**Application info**

C3 Picasso (02/09--)  
C3 II (09/09--)  
DS3 (11/09-12/16)  
C4 II / DS4 (02/09--)  
Berlingo II (04/08--)  
C4 Cactus (09/14--)  
C4 Grand Picasso II (01/13--)

C3 III (07/16--)  
C3 AIRCROSS II (06/17--)  
C4 SPACETOURER / GRAND SPACETOURER (04/18--)  
Berlingo III (06/18--)  
C5 AIRCROSS (11/18--)  
C4 III (10/20--)

**11-12 321 0044 | MAF0725**

**Air filter**



**Notes**

Height [mm]	52
Width [mm]	182
Length [mm]	239
	Filter Insert

**References**

98 139 088 80

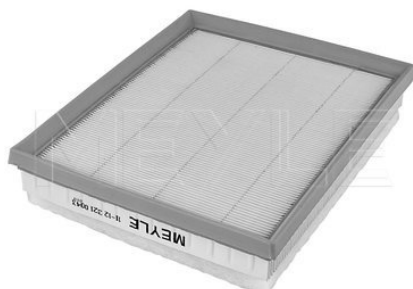
**Application info**

C Elyse (11/12--)  
C4 Cactus (09/14--)  
Jumpy III (04/16--)  
Spacetourer (04/16--)  
C3 III (07/16--)

C3 AIRCROSS II (06/17--)  
C4 SPACETOURER / GRAND SPACETOURER (04/18--)  
Berlingo III (06/18--)  
C5 AIRCROSS (11/18--)

**11-12 321 0043 | MAF0712**

**Air filter**



**Notes**

Height [mm]	49.5
Width [mm]	205
Length [mm]	239.5
	Filter Insert with pre-filter

**References**

98 023 486 80

**Air filter**

**11-12 321 0043 | MAF0712**

**Application info**

C3 Picasso (02/09--)  
C3 II (09/09--)  
DS5 (09/11-07/15)  
C Elyse (11/12--)  
DS3 (11/09-12/16)  
C4 II / DS4 (02/09--)  
Berlingo II (04/08--)  
C4 Cactus (09/14--)

C4 Grand Picasso II (01/13--)  
Jumpy III (04/16--)  
Spacetourer (04/16--)  
C3 III (07/16--)  
C3 AIRCROSS II (06/17--)  
C4 SPACETOURER / GRAND SPACETOURER (04/18--)  
Berlingo III (06/18--)

**Air filter**

**212 321 0028 | MAF0743**

**Notes**

Height [mm]	62
Width [mm]	156
Length [mm]	347
	Filter Insert

**References**

16 316 899 80



**Application info**

Nemo (02/08--)

**Air filter**

**32-12 321 0012 | MAF0758**

**Notes**

Height [mm]	53
Width [mm]	207
Length [mm]	258
	Filter Insert

**References**

16 099 073 80



**Application info**

C4 AIRCROSS (08/10--)

6

**314 133 2108 | MFF0146**

**Fuel filter**



**Notes**

Diameter [mm]	Steel
Height [mm]	80
	162
	In-Line Filter

**References**

1567.78	91 535 807
---------	------------

**Application info**

Evasion [03/94-10/02]  
C25 [07/81-07/94]

XM [05/89-10/00]  
Jumpy I [06/94-12/06]

**614 818 0002 | MFF0214**

**Fuel filter**



**Notes**

Diameter [mm]	Steel
Height [mm]	58.8
	139
	In-Line Filter

**References**

1567.79	95 470 530
5 470 530	96 131 549
91 470 530	

**Application info**

CX I [09/74-08/85]  
AX [07/86-12/98]  
BX [10/82-12/94]  
Xantia [03/93-04/03]

ZX [03/91-07/99]  
CX II [07/85-12/92]  
C15 / Visa [09/78-10/06]

**614 323 0002 | MFF0208**

**Fuel filter**



**Notes**

Diameter [mm]	Zinc-coated
Height [mm]	Steel
	58.8
	136.5
	In-Line Filter

**References**

1567.85	1567.C6
1567.A5	

**Fuel filter**
**614 323 0002 | MFF0208**
**Application info**

Evasion (03/94-10/02)  
 Saxo (02/96-04/04)  
 Berlingo I (07/96-12/11)  
 Xantia (03/93-04/03)  
 ZX (03/91-07/99)  
 XM (05/89-10/00)  
 Xsara Picasso (09/99-06/12)  
 Jumpy I (06/94-12/06)  
 C8 (06/02--)  
 C5 I / C5 II (03/01--)  
 C6 (09/05-12/12)  
 C5 III (RD\_, TD\_) (02/08--)  
 C3 Picasso (02/09--)  
 C3 II (09/09--)

C4 I / Coupe / Grand Picasso / Picasso / Stufenheck (11/04--)  
 C2 / C3 I / Pluriel (02/02--)  
 DS5 (09/11-07/15)  
 Xsara (04/97-03/10)  
 C Elyse (11/12--)  
 DS3 (11/09-12/16)  
 C4 II / DS4 (02/09--)  
 Berlingo II (04/08--)  
 C4 Cactus (09/14--)  
 C4 Grand Picasso II (01/13--)  
 C3 III (07/16--)  
 C3 AIRCROSS II (06/17--)  
 C4 SPACETOURER / GRAND SPACETOURER (04/18--)  
 C5 AIRCROSS (11/18--)

**Fuel filter**
**11-14 323 0005 | MFF0287**
**Notes**

Diameter 1 [mm]	65.5
Outer diameter [mm]	93.5
Height [mm]	118.5
	Filter Insert

**References**

16 141 119 80


**Application info**

 Jumper III (04/06--)  
**Fuel filter**
**16-14 323 0000 | MFF0090**
**Notes**

Diameter [mm]	Plastic
Height [mm]	108
	134
	In-Line Filter

**References**

1901.68	1901.75
1901.70	1901.85


**Application info**

C1 (06/05-09/14)  
 Nemo (02/08--)  
 C3 II (09/09--)

C2 / C3 I / Pluriel (02/02--)  
 Xsara (04/97-03/10)

**11-14 323 0006 | MFF0288**

**Fuel filter**



**Notes**

Outer diameter [mm]	123
Height [mm]	126
Inlet Ø [mm]	10
	In-Line Filter

**References**

1901.78	96 494 488 80
1901.95	E148068

**Application info**

Berlingo I (07/96-12/11)  
Xsara Picasso (09/99-06/12)  
C5 I / C5 II (03/01--)  
Jumpy II (01/07--)  
C5 III (RD\_, TD\_) (02/08--)

C3 Picasso (02/09--)  
C3 II (09/09--)  
C4 I / Coupe / Grand Picasso / Picasso / Stufenheck (11/04--)  
C2 / C3 I / Pluriel (02/02--)  
Berlingo II (04/08--)

**214 323 0004 | MFF0106**

**Fuel filter**



**Notes**

	Steel
Diameter [mm]	90
Height [mm]	205
Thread Size	M12x1,5
Thread Size 1	M8x1,25
	without filter heating
	In-Line Filter

**References**

16 063 849 80	1901.A3
---------------	---------

**Application info**

Jumper III (04/06--)

Nemo (02/08--)

**100 323 0007 | MFF0056**

**Fuel filter**



**Notes**

	with seal
	Metal
Diameter [mm]	84
Height [mm]	71.3
	Filter Insert

**References**

1906.32	1906.C9
---------	---------



**Fuel filter**

**100 323 0007 | MFF0056**

**Application info**

CX I [09/74-08/85]  
BX [10/82-12/94]

Jumper I [02/94-08/02]  
C15 / Visa [09/78-10/06]

**Fuel filter**

**11-14 323 0002 | MFF0070**

**Notes**

Diameter [mm]	68
Diameter 1 [mm]	11.5
Outer diameter [mm]	80
Height [mm]	61
	Filter Insert

**References**

1906.33	1906.C1
1906.43	96 098 964



**Application info**

Evasion [03/94-10/02]  
BX [10/82-12/94]  
Berlingo I [07/96-12/11]  
Xantia [03/93-04/03]  
ZX [03/91-07/99]

Jumper I [02/94-08/02]  
Jumpy I [06/94-12/06]  
C15 / Visa [09/78-10/06]  
Xsara [04/97-03/10]

**Fuel filter**

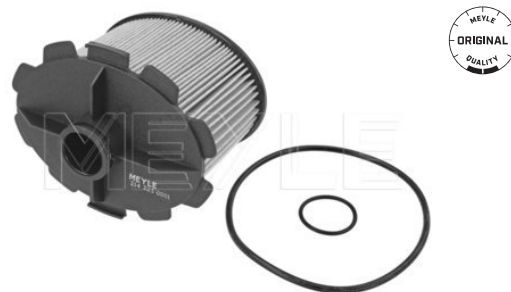
**214 323 0001 | MFF0104**

**Notes**

	with seal
Diameter 1 [mm]	19
Outer diameter [mm]	101.5
Outer diameter 2 [mm]	68
Height [mm]	80
	Filter Insert

**References**

1906.49	1906.A9
---------	---------



**Application info**

Berlingo I [07/96-12/11]  
Jumpy I [06/94-12/06]

C15 / Visa [09/78-10/06]  
Xsara [04/97-03/10]

6

**214 323 0002 | MFF0105**

**Fuel filter**



**Notes**

Diameter 1 [mm]	with seal
Outer diameter [mm]	30
Height [mm]	82.5
	75
	Filter Insert

**References**

1906 50	1906.C5
1906.51	

**Application info**

Evasion [03/94-10/02]  
Berlingo I [07/96-12/11]  
Xantia [03/93-04/03]  
Xsara Picasso [09/99-06/12]

Jumpy I [06/94-12/06]  
C5 I / C5 II [03/01--]  
Xsara [04/97-03/10]

**614 323 0000 | MFF0207**

**Fuel filter**



**Notes**

Diameter [mm]	with seal
Height [mm]	71
	92.4
	Filter Insert

**References**

1906 52	1906.53
---------	---------

**Application info**

XM [05/89-10/00]

**11-14 323 0001 | MFF0069**

**Fuel filter**



**Notes**

Diameter [mm]	Zinc-coated
Height [mm]	Steel
Connecting thread	84
	158
	M16x1,5
	Spin-on Filter

**References**

1906.67	1906.C3
---------	---------

**Application info**

Jumper I [02/94-08/02]  
Jumpy I [06/94-12/06]

Jumper II [02/02--]



### Fuel filter

11-16 323 0000 | MFF0071

#### Notes

Diameter 1 [mm]	with seal
Outer diameter [mm]	14.5
Height [mm]	77.5
	65.5
	Filter Insert

#### References

1906.77	1906.A6
1906.A5	



#### Application info

Evasion [03/94-10/02]  
 Berlingo I [07/96-12/11]  
 Xantia [03/93-04/03]  
 Xsara Picasso [09/99-06/12]  
 Jumpy I [06/94-12/06]

C8 [06/02--]  
 C5 I / C5 II [03/01--]  
 C4 I / Coupe / Grand Picasso / Picasso / Stufenheck [11/04--]  
 Xsara [04/97-03/10]

### Fuel filter

100 127 0005 | MFF0029

#### Notes

Diameter [mm]	Steel
Height [mm]	85
Connecting thread	159
	M16x1,5
	Spin-on Filter

#### References

1906.88



#### Application info

Jumper I [02/94-08/02]

### Fuel filter

714 323 0004 | MFF0219

#### Notes

Diameter [mm]	with seal
Diameter 1 [mm]	90
Height [mm]	15
	76
	Filter Insert

#### References

1906.90	1906.C0
---------	---------



6



**714 323 0004 | MFF0219**

**Fuel filter**

**Application info**

C8 (06/02--)  
C5 I / C5 II (03/01--)  
Jumpy II (01/07--)

C5 III (RD\_, TD\_) (02/08--)  
C4 I / Coupe / Grand Picasso / Picasso / Stufenheck (11/04--)

**214 323 0000 | MFF0103**

**Fuel filter**



**Notes**

Diameter [mm]  
Height [mm]  
Connecting thread

Zinc-coated  
Steel  
87  
170  
M16x1,5  
Spin-on Filter

**References**

1906.94

**Application info**

Jumper II (02/02--)

**714 323 0012 | MFF0223**

**Fuel filter**



**Notes**

Diameter [mm]  
Diameter 1 [mm]  
Height [mm]

with seal  
92  
23  
74  
Filter Insert

**References**

1906.A7

**Application info**

C8 (06/02--)  
Jumpy II (01/07--)  
C5 III (RD\_, TD\_) (02/08--)

C4 I / Coupe / Grand Picasso / Picasso / Stufenheck (11/04--)  
DS5 (09/11-07/15)  
C4 II / DS4 (02/09--)



### Fuel filter

614 323 0004 | MFF0210

#### Notes

Diameter 1 [mm]	with seal
Outer diameter [mm]	24.5
Height [mm]	68
	100.5
	Filter Insert

#### References

16 062 676 80	1906.C4
1906.98	



#### Application info

Jumpy I (06/94-12/06)  
Jumper II (02/02--)

Jumper III (04/06--)

### Fuel filter

11-14 323 0003 | MFF0263

#### Notes

Outer diameter [mm]	96.5
Height [mm]	125
	In-Line Filter

#### References

1901.97	1906.E6
1904.46	98 097 210 80



#### Application info

Jumpy II (01/07--)  
C5 III (RD\_, TD\_) (02/08--)  
C3 Picasso (02/09--)  
C3 II (09/09--)  
C4 I / Coupe / Grand Picasso / Picasso / Stufenheck (11/04--)  
DS5 (09/11-07/15)  
C4 AIRCROSS (08/10--)

C Elyse (11/12--)  
DS3 (11/09-12/16)  
C4 II / DS4 (02/09--)  
Berlingo II (04/08--)  
C4 Cactus (09/14--)  
C4 Grand Picasso II (01/13--)

### Fuel pump

40-14 919 0005 | MFU0057

#### Notes

	with fuel sender unit
	Petrol
	Electric
Pressure [bar]	3.6
Number of pins	4
Voltage [V]	12

#### References

1525.H8



**40-14 919 0005 | MFU0057**

**Fuel pump**

**Application info**

Berlingo I (07/96-12/11)

Xsara Picasso (09/99-06/12)

**11-14 919 0011 | MFU0087**

**Fuel pump**



**Notes**

Pressure [bar]  
Number of pins  
Voltage [V]

Petrol  
Electric  
3  
2  
12

**References**

1525.PY

16 074 019 80

**Application info**

C3 Picasso (02/09--)

**11-14 919 0009 | MFU0052**

**Fuel pump**



**Notes**

Pressure [bar]  
Number of pins  
Voltage [V]

with fuel sender unit  
Petrol  
Electric  
3  
4  
12

**References**

1525.KJ  
1525.Q4  
96 326 720 80

96 803 528 80  
96 803 530

**Application info**

C5 I / C5 II (03/01--)

C4 I / Coupe / Grand Picasso / Picasso / Stufenheck (11/04--)

**614 036 0012 | MMX1199**

**Idle control valve, air supply**



**Notes**

Outlet Ø [mm]  
Inlet Ø [mm]  
Number of inlets/outlets

Aluminium  
Electric  
18.2  
18.2  
2

**References**

0345.42  
91 540 797

96 008 036

**Idle control valve, air supply**

**614 036 0012 | MMX1199**

**Application info**

BX (10/82-12/94)

**Intake hose, turbo charger**

**11-14 036 0009 | MMX1844**

**Notes**

AEM (Ethylene Acrylate Rubber)  
Centre

**References**

0382.CR



**Application info**

Evasion (03/94-10/02)  
Xantia (03/93-04/03)  
Jumpy I (06/94-12/06)

C8 (06/02--)  
C5 I / C5 II (03/01--)  
Xsara (04/97-03/10)

**Intake hose, turbo charger**

**11-14 036 0008 | MMX1791**

**Notes**

FMQ (Fluorosilicone Rubber)  
Centre

**References**

0382.EN



**Application info**

C4 I / Coupe / Grand Picasso / Picasso / Stufenheck (11/04--)

Berlingo II (04/08--)

**Intake hose, turbo charger**

**11-14 036 0012 | MMX1797**

**Notes**

AEM (Ethylene Acrylate Rubber)  
Left

**References**

0382.GS



**11-14 036 0012 | MMX1797**

**Intake hose, turbo charger**

**Application info**

C5 I / C5 II (03/01--)

C5 III (RD\_, TD\_) (02/08--)

**11-14 036 0005/HD | MMX1788HD**

**Intake hose, turbo charger**



**Notes**

Cold Side  
AEM [Ethylene Acrylate Rubber]  
Right  
Intercooler

**References**

0382.JC

0382.KA

**Application info**

Jumper III (04/06--)

**11-14 036 0013 | MMX1798**

**Intake hose, turbo charger**



**Notes**

AEM [Ethylene Acrylate Rubber]  
Upper  
Right

**References**

0382.LA

**Application info**

C5 I / C5 II (03/01--)

C5 III (RD\_, TD\_) (02/08--)

**11-14 036 0011 | MMX1794**

**Intake hose, turbo charger**



**Notes**

AEM [Ethylene Acrylate Rubber]  
Left

**References**

0382.LJ



**Intake hose, turbo charger**

11-14 036 0011 | MMX1794

**Application info**

Jumper III (04/06--)

**Intake hose, turbo charger**

214 036 0002 | MMX1800

**Notes**

AEM (Ethylene Acrylate Rubber)  
Right

**References**

0382.LK



**Application info**

Jumper III (04/06--)

**Intake hose, turbo charger**

11-14 036 0004 | MMX1828

**Notes**

FMQ (Fluorosilicone Rubber)  
Right  
Left  
Intercooler

**References**

0382.FN  
0382.LW

0382.LX



**Application info**

Jumpy II (01/07--)

C4 I / Coupe / Grand Picasso / Picasso / Stufenheck (11/04--)

Berlingo II (04/08--)

**Intake hose, turbo charger**

11-14 036 0016 | MMX1805

**Notes**

Set  
FMQ (Fluorosilicone Rubber)  
Left

**References**

0382.LY



**11-14 036 0016 | MMX1805**

**Intake hose, turbo charger**

**Application info**

Jumper III (04/06--)

**11-14 036 0003 | MMX1563**

**Intake hose, turbo charger**



**Notes**

Piping to engine block  
FMQ (Fluorosilicone Rubber)

**References**

0382.HK

0382.NY

**Application info**

C3 Picasso (02/09--)

C3 II (09/09--)

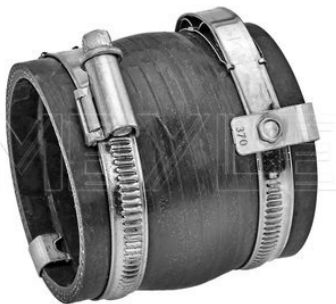
C4 I / Coupe / Grand Picasso / Picasso / Stufenheck (11/04--)

C2 / C3 I / Pluriel (02/02--)

Berlingo II (04/08--)

**11-14 036 0019 | MMX1936**

**Intake hose, turbo charger**



**Notes**

FMQ (Fluorosilicone Rubber)  
with clamps

**References**

0382.EY

0382.NZ

**Application info**

Berlingo I (07/96-12/11)

Xsara Picasso (09/99-06/12)

C5 III (RD\_, TD\_) (02/08--)

C2 / C3 I / Pluriel (02/02--)

**Intake hose, turbo charger**

**11-14 036 0010 | MMX1793**

**Notes**

Aramid  
FMQ (Fluorosilicone Rubber)  
FVMQ (fluorosilicone rubber)  
Centre

**References**

0382.PJ



**Application info**

C5 III (RD\_, TD\_) (02/08--)  
C3 Picasso (02/09--)  
C3 II (09/09--)  
C4 I / Coupe / Grand Picasso / Picasso / Stufenheck (11/04--)  
DS5 (09/11-07/15)  
C4 AIRCROSS (08/10--)  
C Elyse (11/12--)  
DS3 (11/09-12/16)

C4 II / DS4 (02/09--)  
Berlingo II (04/08--)  
C4 Cactus (09/14--)  
Jumpy III (04/16--)  
Spacetourer (04/16--)  
C3 III (07/16--)  
C3 AIRCROSS II (06/17--)

**Intake hose, turbo charger**

**11-14 036 0007/HD | MMX1790HD**

**Notes**

Hot Side  
Cold Side  
FMQ (Fluorosilicone Rubber)  
Centre

**References**

0382.GK  
0382.HP

0382.PN  
0382.PP



**Application info**

Berlingo I (07/96-12/11)  
Xsara Picasso (09/99-06/12)

C2 / C3 I / Pluriel (02/02--)

**Intake hose, turbo charger**

**11-14 036 0017 | MMX1922**

**Notes**

Piping to engine block  
Cold Side  
FMQ (Fluorosilicone Rubber)  
Centre

**References**

0382.FE

0382.PZ



**11-14 036 0017 | MMX1922**

**Intake hose, turbo charger**

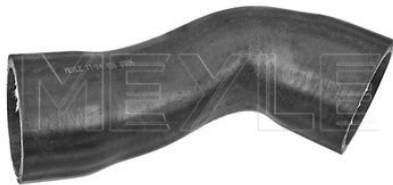
**Application info**

C2 / C3 I / Pluriel (02/02--)

Berlingo II (04/08--)

**11-14 036 0006 | MMX1789**

**Intake hose, turbo charger**



**Notes**

AEM (Ethylene Acrylate Rubber)  
Right

**References**

1434.15

**Application info**

C2 / C3 I / Pluriel (02/02--)

Xsara (04/97-03/10)

**11-14 036 0002 | MMX1579**

**Intake hose, turbo charger**



**Notes**

PE (Polyethylene)  
Upper Right

**References**

1434.45

**Application info**

C1 (06/05-09/14)

C3 II (09/09--)

C2 / C3 I / Pluriel (02/02--)

**11-14 036 0018 | MMX1931**

**Intake hose, turbo charger**



**Notes**

Hot Side  
with clamps  
Left

**References**

96 769 949 80

**Intake hose, turbo charger**

11-14 036 0018 | MMX1931

**Application info**

Berlingo II (04/08--)

**Intake hose, turbo charger**

11-14 036 0015 | MMX1799

**Notes**

Hot Side  
FMQ (Fluorosilicone Rubber)  
Centre

**References**

0382.GV                      98 012 805 80  
0382.PK



**Application info**

C3 Picasso (02/09--)  
C3 II (09/09--)  
C Elyse (11/12--)  
DS3 (11/09-12/16)

C4 Cactus (09/14--)  
C3 III (07/16--)  
C3 AIRCROSS II (06/17--)

**Intake hose, turbo charger**

11-14 036 0014 | MMX1817

**Notes**

Cold Side  
FMQ (Fluorosilicone Rubber)  
Centre

**References**

0382.GW                      98 012 806 80



**Application info**

C3 Picasso (02/09--)  
C3 II (09/09--)  
C Elyse (11/12--)  
DS3 (11/09-12/16)

C4 Cactus (09/14--)  
C3 III (07/16--)  
C3 AIRCROSS II (06/17--)

**11-14 036 0001 | MMX1540**

**Suction hose, air filter**



**References**

1434.C8

**Application info**

Berlingo I (07/96-12/11)  
Xsara Picasso (09/99-06/12)  
C5 I / C5 II (03/01--)  
Jumpy II (01/07--)  
C5 III (RD\_, TD\_) (02/08--)

C3 Picasso (02/09--)  
C3 II (09/09--)  
C4 I / Coupe / Grand Picasso / Picasso / Stufenheck (11/04--)  
C2 / C3 I / Pluriel (02/02--)  
Berlingo II (04/08--)

**11-14 036 0000 | MMX1547**

**Suction hose, air filter**



**References**

1434.13

1434.F6

**Application info**

C1 (06/05-09/14)  
C3 II (09/09--)

C2 / C3 I / Pluriel (02/02--)  
Xsara (04/97-03/10)

**11-14 139 0001 | MMX1702**

**A/T oil pan gasket**



**Notes**

Transmission Type  
Transmission Type  
Transmission Type

Manufacturer Restriction

Piece  
Elastomer  
DP0  
ATB  
AL4  
4-Speed Automatic Transmission  
PSA

**References**

2209.40

## A/T oil pan gasket

11-14 139 0001 | MMX1702

### Application info

Evasion (03/94-10/02)  
Xsara Picasso (09/99-06/12)  
Jumpy I (06/94-12/06)  
C8 (06/02--)  
C5 I / C5 II (03/01--)  
C3 II (09/09--)

C4 I / Coupe / Grand Picasso / Picasso / Stufenheck (11/04--)  
C2 / C3 I / Pluriel (02/02--)  
Xsara (04/97-03/10)  
C Elyse (11/12--)  
DS3 (11/09-12/16)  
C4 II / DS4 (02/09--)

## Oil filter

614 322 0000 | MOF0178

### Notes

Bypass Valve Opening Pressure [bar] 1  
Outer diameter [mm] 65.5  
Height [mm] 85.6  
Thread Size M20x1,5  
Spin-on Filter with one anti-return valve

### References

1109.AE 1109.CG



### Application info

C-Crosser (02/07--)

C4 AIRCROSS (08/10--)

## Oil filter

214 322 0002 | MOF0085

### Notes

Bypass Valve Opening Pressure [bar] 1  
Outer diameter [mm] 78  
Height [mm] 90.5  
Thread Size M20x1,5  
Spin-on Filter with one anti-return valve

### References

1109.AL 95 638 747  
1109.J9 96 002 933  
95 495 621 96 371 434  
95 495 622 96 448 854  
95 580 483



**214 322 0002 | MOF0085**

**Oil filter**

**Application info**

Evasion (03/94-10/02)  
AX (07/86-12/98)  
BX (10/82-12/94)  
Saxo (02/96-04/04)  
Berlingo I (07/96-12/11)  
Xantia (03/93-04/03)  
ZX (03/91-07/99)  
C25 (07/81-07/94)  
CX II (07/85-12/92)  
XM (05/89-10/00)  
Jumper I (02/94-08/02)  
Xsara Picasso (09/99-06/12)  
Jumpy I (06/94-12/06)  
C8 (06/02--)  
Jumper II (02/02--)  
C5 I / C5 II (03/01--)  
C6 (09/05-12/12)  
C5 III (RD\_, TD\_) (02/08--)  
C3 Picasso (02/09--)

C15 / Visa (09/78-10/06)  
C3 II (09/09--)  
C4 I / Coupe / Grand Picasso / Picasso / Stufenheck (11/04--)  
DS5 (09/11-07/15)  
Xsara (04/97-03/10)  
C Elyse (11/12--)  
DS3 (11/09-12/16)  
C4 II / DS4 (02/09--)  
Berlingo II (04/08--)  
C1 II (04/14--)  
C4 Cactus (09/14--)  
C4 Grand Picasso II (01/13--)  
Jumpy III (04/16--)  
Spacetourer (04/16--)  
C3 III (07/16--)  
C3 AIRCROSS II (06/17--)  
C4 SPACETOURER / GRAND SPACETOURER (04/18--)  
C5 AIRCROSS (11/18--)

**214 597 0000 | MOF0088**

**Oil filter**



**Notes**

Bypass Valve Opening Pressure [bar] 1  
Outer diameter [mm] 76  
Height [mm] 100.6  
Thread Size M20x1,5  
Spin-on Filter with one anti-return valve

**References**

1109.AR 16 08 076 280  
1109.K9

**Application info**

Jumpy I (06/94-12/06)

**40-14 322 0001 | MOF0170**

**Oil filter**



**Notes**

Bypass Valve Opening Pressure [bar] 2.2  
Outer diameter [mm] 94  
Height [mm] 144  
Thread Size M22x1,5  
Spin-on Filter with one anti-return valve

**References**

1109.AG 1109.Z8  
1109.AT 16 062 675 80



**Oil filter**
**40-14 322 0001 | MOF0170**
**Application info**

Jumper III (04/06-- )

**Oil filter**
**714 322 0007 | MOF0201**
**Notes**

	with seal
Inner diameter [mm]	25.5
Outer diameter [mm]	71.5
Height 1 [mm]	82.5
Height [mm]	99
	Filter Insert

**References**

1109.AY	1109.Z6
1109.T3	


**Application info**

Berlingo I (07/96-12/11)  
 Xsara Picasso (09/99-06/12)  
 C5 I / C5 II (03/01-- )  
 C1 (06/05-09/14)  
 Jumpy II (01/07-- )  
 C5 III (RD\_, TD\_) (02/08-- )  
 C3 Picasso (02/09-- )  
 Nemo (02/08-- )  
 C3 II (09/09-- )  
 C4 I / Coupe / Grand Picasso / Picasso / Stufenheck (11/04-- )

C2 / C3 I / Pluriel (02/02-- )  
 DS5 (09/11-07/15)  
 C4 AIRCROSS (08/10-- )  
 Xsara (04/97-03/10)  
 C Elyse (11/12-- )  
 DS3 (11/09-12/16)  
 C4 II / DS4 (02/09-- )  
 Berlingo II (04/08-- )  
 C4 Cactus (09/14-- )  
 C4 Grand Picasso II (01/13-- )

**Oil filter**
**614 322 0016 | MOF0192**
**Notes**

	with seal
Diameter [mm]	66
Inner diameter [mm]	41
Height [mm]	105
	Filter Insert

**References**

1109.CJ


**Application info**

Nemo (02/08-- )

**11-14 322 0001 | MOF0060**

**Oil filter**



**Notes**

Inner diameter 2 [mm]  
Inner diameter 1 [mm]  
Outer diameter [mm]  
Height [mm]

with seal  
22  
14.5  
59  
141  
Filter Insert

**References**

1109.R7

E149104

**Application info**

Saxo [02/96-04/04]  
Berlingo I [07/96-12/11]  
Xsara Picasso [09/99-06/12]

C2 / C3 I / Pluriel [02/02--]  
Xsara [04/97-03/10]

**714 322 0011 | MOF0205**

**Oil filter**



**Notes**

Inner diameter [mm]  
Outer diameter [mm]  
Height [mm]

with seal  
24  
65  
69  
Filter Insert

**References**

1109.X3

1109.X4

**Application info**

Berlingo I [07/96-12/11]  
Xsara Picasso [09/99-06/12]  
C8 [06/02--]  
C5 I / C5 II [03/01--]  
C6 [09/05-12/12]  
Jumper III [04/06--]  
Jumpy II [01/07--]  
C5 III (RD\_, TD\_) [02/08--]  
C3 Picasso [02/09--]  
Nemo [02/08--]  
C3 II [09/09--]  
C4 I / Coupe / Grand Picasso / Picasso / Stufenheck [11/04--]

C2 / C3 I / Pluriel [02/02--]  
C-Crosser [02/07--]  
DS5 [09/11-07/15]  
Xsara [04/97-03/10]  
C Elyse [11/12--]  
DS3 [11/09-12/16]  
C4 II / DS4 [02/09--]  
Berlingo II [04/08--]  
C4 Grand Picasso II [01/13--]  
C3 III [07/16--]  
C4 SPACETOURER / GRAND SPACETOURER [04/18--]  
C5 AIRCROSS [11/18--]

**Oil filter**
**30-14 322 0000 | MOF0097**
**Notes**

Bypass Valve Opening Pressure [bar] 1  
 Outer diameter [mm] 67  
 Height [mm] 76  
 Thread Size 3/4"-16 UNF  
 Spin-on Filter with one anti-return valve

**References**

1109.AZ 16 163 998 80  
 1109.Y4


**Application info**

C1 [06/05-09/14]

C1 II [04/14--]

**Oil filter**
**11-14 322 0002 | MOF0061**
**Notes**

Bypass Valve Opening Pressure [bar] 2.2  
 Outer diameter [mm] 93  
 Height [mm] 139  
 Thread Size M22x1,5  
 Spin-on Filter with one anti-return valve

**References**

1109.Y6


**Application info**

Jumper II [02/02--]

**Oil filter**
**214 322 0001 | MOF0084**
**Notes**

Bypass Valve Opening Pressure [bar] 2.5  
 Outer diameter [mm] 109  
 Height [mm] 144.5  
 Thread Size 3/4"-16 UNF  
 Spin-on Filter with one anti-return valve

**References**

1109.Q0 1109.Y7  
 1109.Q1


**Application info**

Jumper I [02/94-08/02]

Jumper II [02/02--]

**6**

**40-14 322 0002 | MOF0221**

**Oil filter**



**Notes**

Diameter [mm]  
Diameter 1 [mm]  
Inner diameter [mm]  
Height [mm]

with seal  
65  
65.5  
25.7  
83.5  
Filter Insert

**References**

1610693780

**Application info**

C3 Picasso (02/09--)  
C3 II (09/09--)  
DS5 (09/11-07/15)  
C Elyse (11/12--)  
DS3 (11/09-12/16)  
C4 II / DS4 (02/09--)  
Berlingo II (04/08--)  
C4 Cactus (09/14--)

C4 Grand Picasso II (01/13--)  
Jumpy III (04/16--)  
Spacetourer (04/16--)  
C3 III (07/16--)  
C3 AIRCROSS II (06/17--)  
C4 SPACETOURER / GRAND SPACETOURER (04/18--)  
Berlingo III (06/18--)

**214 322 0011 | MOF0241**

**Oil filter**



**Notes**

Outer diameter [mm]  
Height [mm]  
Thread Size

76.5  
86.5  
M20x1,5-6H  
Spin-on Filter

**References**

98 095 323 80

**Application info**

Jumper III (04/06--)

Jumpy III (04/16--)

**53-14 322 0000 | MOF0245**

**Oil filter**



**Notes**

Inner diameter [mm]  
Outer diameter [mm]  
Height [mm]

38  
79  
95  
Filter Insert

**References**

1109.AV

**Oil filter**
**53-14 322 0000 | MOF0245**
**Application info**

C6 (09/05-12/12)

C5 III (RD\_, TD\_) (02/08--)

**Oil filter**
**714 322 0020 | MOF0247**
**Notes**

Diameter [mm]	76.5
Height [mm]	77.8
Thread Size	M22x1,5
	Spin-on Filter

**References**

98 088 678 80


**Application info**

Jumper III (04/06--)

**Bracket, engine mount**
**11-14 184 0016 | MMX0503**
**Notes**

Steel Elastomer

**References**

1806.28

1806.74


**Application info**

 Evasion (03/94-10/02)  
 Jumpy I (06/94-12/06)  
 C8 (06/02--)  
 C5 I / C5 II (03/01--)

 C6 (09/05-12/12)  
 Jumpy II (01/07--)  
 C5 III (RD\_, TD\_) (02/08--)

**11-14 030 0015 | MEM0632**

**Engine mount**



**Notes**

Rubber-Metal Mount  
transmission side  
Upper Left

**References**

16 087 273 80

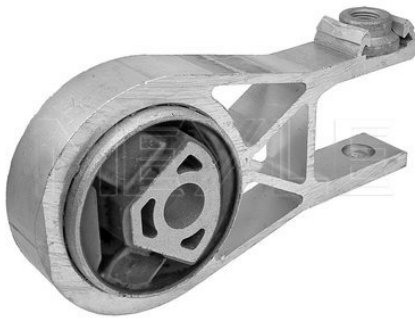
1807.GR

**Application info**

Nemo [02/08--]

**214 030 0032 | MEM0633**

**Engine mount**



**Notes**

Torque Support  
Rubber-Metal Mount  
Body side  
Lower Left

**References**

1631724180

1806.95

**Counterpart**

214 030 0033 | MEM0634

**Application info**

Jumper III [04/06--]

**11-14 030 0028 | MEM0748**

**Engine mount**



**Notes**

Bore Ø [mm]  
Outer diameter [mm]

Rubber-Metal Mount  
10  
30  
Rear

**References**

1806.27  
1806.68  
1806.H1

1854.20  
9622739380

**Application info**

C4 I / Coupe / Grand Picasso / Picasso / Stufenheck [11/04--]  
DS5 [09/11-07/15]

C4 II / DS4 [02/09--]  
Berlingo II [04/08--]

**Engine mount**

**11-14 184 0030 | MEM0274**

**Notes**

Torque Support  
Rubber-Metal Mount  
Upper Right

**References**

1806.69



**Application info**

C8 (06/02--)  
C5 I / C5 II (03/01--)  
C6 (09/05-12/12)

Jumpy II (01/07--)  
C5 III (RD\_, TD\_) (02/08--)

**Engine mount**

**214 030 0033 | MEM0634**

**Notes**

Rubber-Metal Mount  
Engine Side  
Lower Left

**References**

1806.91

**Counterpart**

214 030 0032 | MEM0633



**Application info**

Jumper III (04/06--)

**Engine mount**

**40-14 030 0003 | MEM0453**

**Notes**

Torque Support  
Rubber-Metal Mount  
Rear

**References**

1806.59  
1806.84

1806.96



**Application info**

C3 II (09/09--)  
C2 / C3 I / Pluriel (02/02--)

C Elyse (11/12--)  
DS3 (11/09-12/16)

**6**

**11-14 030 0086 | MEM0949**

**Engine mount**



**Notes**

Piece  
Torque Support  
Metal Housing  
Rubber-Metal Mount  
1  
Rear

Required quantity

**References**

1806.A0

1806.H0

**Application info**

C4 I / Coupe / Grand Picasso / Picasso / Stufenheck (11/04--)  
DS5 (09/11-07/15)

C4 II / DS4 (02/09--)

**11-14 030 0017 | MEM0251**

**Engine mount**



**Notes**

Torque Support  
Rubber-Metal Mount  
Engine Side  
Torsion Bar at bracket  
Rear

**References**

1806.93  
1806.A6

1806.J8

**Application info**

C3 Picasso (02/09--)  
C3 II (09/09--)  
C2 / C3 I / Pluriel (02/02--)  
C Elyse (11/12--)  
DS3 (11/09-12/16)

C4 II / DS4 (02/09--)  
C4 Cactus (09/14--)  
C3 III (07/16--)  
C3 AIRCROSS II (06/17--)

**214 030 0080/HD | MEM0865HD**

**Engine mount**



**Notes**

Torque Support  
Rubber-Metal Mount  
Rear

reinforced version

**References**

1806.H4





### Engine mount

214 030 0080/HD | MEM0865HD

#### Application info

C8 [06/02--]  
Jumpy II [01/07--]

C5 III [RD\_, TD\_] [02/08--]

### Engine mount

11-14 030 0184 | MEM1003

#### Notes

Rubber-Metal Mount  
Right



#### References

1807.FF

1807.GJ

#### Application info

C4 I / Coupe / Grand Picasso / Picasso / Stufenheck [11/04--]  
C4 II / DS4 [02/09--]

Berlingo II [04/08--]

### Engine mount

11-14 030 0030 | MEM0955

#### Notes

Hydro Bearing  
Right



#### References

1807.GP



#### Application info

Nemo [02/08--]

### Engine mount

11-14 030 0019 | MEM0965

#### Notes

Hydro Bearing  
Right



#### References

1807.GW



**11-14 030 0019 | MEM0965**

**Engine mount**

**Application info**

C3 Picasso (02/09--)  
C3 II (09/09--)  
C Elyse (11/12--)  
DS3 (11/09-12/16)

C4 Cactus (09/14--)  
C3 III (07/16--)  
C3 AIRCROSS II (06/17--)

**214 030 0070 | MEM0831**

**Engine mount**



**Notes**

Rubber-Metal Mount  
Right

**References**

1807.KE

**Application info**

Nemo (02/08--)

**11-14 030 0029 | MEM0749**

**Engine mount**



**Notes**

Rubber-Metal Mount  
Rear

**References**

1807.N7

1809.28

**Application info**

C8 (06/02--)  
C5 I / C5 II (03/01--)

C6 (09/05-12/12)  
C5 III (RD\_, TD\_) (02/08--)

**Engine mount**

**214 030 0004 | MEM0616**

**Notes**

Rubber-Metal Mount  
transmission side  
Upper

**References**

1807.S7



**Application info**

Jumper II (02/02--)

**Engine mount**

**11-14 180 0001 | MEM0252**

**Notes**

Inner diameter [mm]  
Outer diameter [mm]

Rubber-Metal Mount  
10  
70  
Upper  
Right

**References**

1809.16



**Application info**

Evasion (03/94-10/02)  
BX (10/82-12/94)  
Xantia (03/93-04/03)

Jumpy I (06/94-12/06)  
C15 / Visa (09/78-10/06)

**Engine mount**

**11-14 180 0004 | MEM0254**

**Notes**

Inner diameter [mm]  
Outer diameter [mm]

Rubber-Metal Mount  
10  
70  
Engine Side  
at mounting  
Rear

**References**

1809.21

1809.29



**11-14 180 0004 | MEM0254**

**Engine mount**

**Application info**

Evasion (03/94-10/02)  
Berlingo I (07/96-12/11)  
Xantia (03/93-04/03)  
ZX (03/91-07/99)  
XM (05/89-10/00)  
Xsara Picasso (09/99-06/12)  
Jumpy I (06/94-12/06)

C8 (06/02--)  
C5 I / C5 II (03/01--)  
Jumpy II (01/07--)  
C5 III (RD\_, TD\_) (02/08--)  
C15 / Visa (09/78-10/06)  
Xsara (04/97-03/10)

**40-14 030 0001 | MEM0451**

**Engine mount**



**Notes**

Inner diameter [mm]  
Outer diameter [mm]

Rubber-Metal Mount  
10  
70  
Lower Right

**References**

1809.30 1809.33

**Application info**

Berlingo I (07/96-12/11)  
Xsara Picasso (09/99-06/12)  
C5 I / C5 II (03/01--)  
Jumpy II (01/07--)

C5 III (RD\_, TD\_) (02/08--)  
C4 I / Coupe / Grand Picasso / Picasso / Stufenheck (11/04--)  
Xsara (04/97-03/10)  
Berlingo II (04/08--)

**40-14 030 0002 | MEM0452**

**Engine mount**



**Notes**

Rubber-Metal Mount  
Left

**References**

1813.92

**Application info**

C3 II (09/09--)  
C2 / C3 I / Pluriel (02/02--)

DS3 (11/09-12/16)

**Engine mount**

**11-14 030 0024 | MEM0998**

**Notes**

Rubber-Metal Mount  
Left



**References**

1813.L2

98 023 189 80

**Application info**

C3 II (09/09--)  
C Elyse (11/12--)

DS3 (11/09-12/16)  
C4 Cactus (09/14--)

**Engine mount**

**214 030 0029 | MEM0365**

**Notes**

Rubber-Metal Mount  
Right



**References**

1821.36



**Application info**

Jumper III (04/06--)

**Engine mount**

**11-14 184 0024 | MEM0271**

**Notes**

Rubber-Metal Mount  
Left



**References**

1827.10



**Application info**

Evasion (03/94-10/02)  
Xantia (03/93-04/03)  
XM (05/89-10/00)

Jumpy I (06/94-12/06)  
C8 (06/02--)  
Jumpy II (01/07--)

**11-14 184 1013 | MEM0758**

**Engine mount**



**Notes**

Hydro Bearing  
Right

**References**

1827.23  
1844.47

1844.77  
96171996

**Application info**

Berlingo I [07/96-12/11]  
ZX [03/91-07/99]

Xsara Picasso [09/99-06/12]  
Xsara [04/97-03/10]

**11-14 030 0031 | MEM0967**

**Engine mount**



**Notes**

Hydro Bearing  
Right

**References**

1839.97  
1839.H7

1839.H8  
1839.J1

**Application info**

C4 I / Coupe / Grand Picasso / Picasso / Stufenheck [11/04--]

**11-14 184 0015 | MEM0264**

**Engine mount**



**Notes**

Rubber-Metal Mount  
Left

**References**

1844.36

1844.68

**Application info**

Berlingo I [07/96-12/11]  
Xsara Picasso [09/99-06/12]  
C5 I / C5 II [03/01--]  
C4 I / Coupe / Grand Picasso / Picasso / Stufenheck [11/04--]

DS5 [09/11-07/15]  
Xsara [04/97-03/10]  
C4 II / DS4 [02/09--]  
Berlingo II [04/08--]

**Engine mount**
**11-14 184 0005 | MEM0257**
**Notes**

 Hydro Bearing  
 Right

**References**

1844.72


**Application info**

 AX [07/86-12/98]  
 BX [10/82-12/94]  
 Berlingo I [07/96-12/11]

 ZX [03/91-07/99]  
 C15 / Visa [09/78-10/06]  
 Xsara [04/97-03/10]

**Engine mount**
**11-14 184 0025 | MEM0272**
**Notes**

 Hydro Bearing  
 Right

**References**

1844.75


**Application info**

 Berlingo I [07/96-12/11]  
 Xsara Picasso [09/99-06/12]

 Xsara [04/97-03/10]  
 Berlingo II [04/08--]

**Engine mount**
**40-14 030 0005 | MEM0455**
**Notes**

 Hydro Bearing  
 Right

**References**

1844.92


**Application info**

 Evasion [03/94-10/02]  
 Jumpy I [06/94-12/06]  
 C8 [06/02--]

 C5 I / C5 II [03/01--]  
 Jumpy II [01/07--]  
 C5 III (RD\_, TD\_) [02/08--]

**11-14 184 0002 | MEM0837**

**Engine mount**



**Notes**

Rubber-Metal Mount  
Left

**References**

1844.A8

9653126680

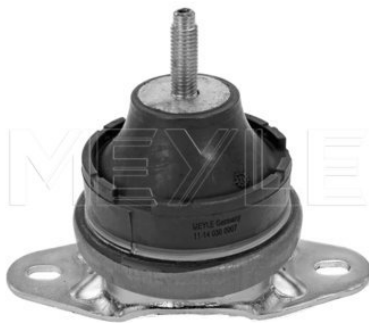
**Application info**

C4 I / Coupe / Grand Picasso / Picasso / Stufenheck (11/04--)

DS5 (09/11-07/15)

**11-14 030 0007 | MEM0249**

**Engine mount**



**Notes**

Hydro Bearing  
Right Front

**References**

1844.91

1844.C0

**Application info**

C8 (06/02--)  
C5 I / C5 II (03/01--)

C6 (09/05-12/12)  
C5 III (RD\_, TD\_) (02/08--)

**11-14 030 0014 | MEM0250**

**Engine mount**



**Notes**

Torque Support  
Rubber-Metal Mount  
transmission side  
Left Rear

**References**

1844.C6

1844.C7

**Application info**

Nemo (02/08--)



**Engine mount**

**11-14 184 0009 | MEM0260**

**Notes**

Rubber-Metal Mount  
Rear  
transmission side

**References**

1846.66



**Application info**

Jumper I [02/94-08/02]

Jumper II [02/02--]

**Engine mount**

**214 030 0034 | MEM0367**

**Notes**

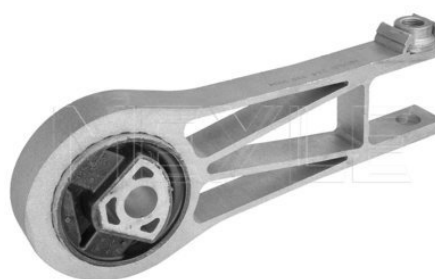
Torque Support  
Rubber-Metal Mount  
Body side  
Lower

**References**

1846.C1

**Counterpart**

214 030 0035 | MEM0635



**Application info**

Jumper III [04/06--]

**Engine mount**

**214 030 0030 | MEM0366**

**Notes**

Rubber-Metal Mount  
Left

**References**

1846.C2



**Application info**

Jumper III [04/06--]

**214 030 0035 | MEM0635**

**Engine mount**



**Notes**

Torque Support  
Rubber-Metal Mount  
Engine Side  
Lower

**References**

1854.25

**Counterpart**

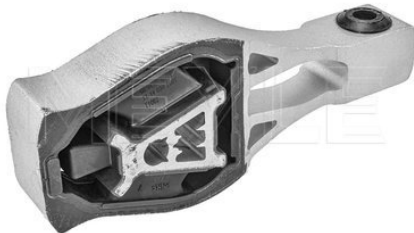
214 030 0034 | MEM0367

**Application info**

Jumper III (04/06--)

**11-14 030 1001 | MEM0969**

**Engine mount**



**Notes**

Rubber-Metal Mount  
Upper Right

**References**

9805734780

9808838680

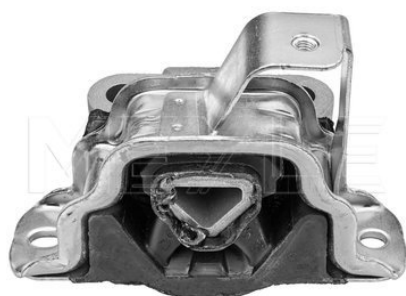
**Application info**

C4 II / DS4 (02/09--)  
C4 Grand Picasso II (01/13--)  
Jumpy III (04/16--)  
Spacetourer (04/16--)

C3 AIRCROSS II (06/17--)  
C4 SPACETOURER / GRAND SPACETOURER (04/18--)  
C5 AIRCROSS (11/18--)

**214 030 0071 | MEM0956**

**Engine mount**



**Notes**

Rubber-Metal Mount  
Left

**References**

1807.KF

**Application info**

Nemo (02/08--)



### Hydraulic pump, P/S

40-14 631 0001 | MHP0254

#### Notes

New part without deposit

Operating Pressure [bar]

Hydraulic  
100

#### References

4007.7A

4007.X9



#### Application info

Evasion [03/94-10/02]  
Jumpy I [06/94-12/06]

C5 I / C5 II [03/01--]

### Hydraulic pump, P/S

11-14 631 0007 | MHP0309

#### Notes

New part without deposit

Number of ribs  
Operating Pressure [bar]

Hydraulic  
6  
100

#### References

4007.8E



#### Application info

Evasion [03/94-10/02]

### Hydraulic pump, P/S

11-14 631 0011 | MHP0313

#### Notes

New part without deposit

Number of ribs  
Operating Pressure [bar]

Hydraulic  
5  
100

#### References

4007.AN

4007.JF



#### Application info

Berlingo I [07/96-12/11]

11-14 631 0013 | MHP0314

Hydraulic pump, P/S



Notes

New part without deposit

Number of ribs  
Operating Pressure [bar]

Hydraulic  
4  
100

References

4007.CJ

Application info

Jumper I [02/94-08/02]

Jumper II [02/02--]

11-14 631 0010 | MHP0312

Hydraulic pump, P/S



Notes

New part without deposit

Number of ribs  
Operating Pressure [bar]

Hydraulic  
6  
100

References

4007.CK

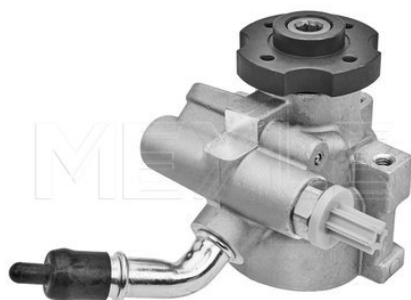
Application info

Jumper I [02/94-08/02]

Jumper II [02/02--]

40-14 631 0000 | MHP0253

Hydraulic pump, P/S



Notes

New part without deposit

Operating Pressure [bar]

Hydraulic  
80

References

4007.E3

96 220 720 80

Application info

Jumper I [02/94-08/02]

7



### Hydraulic pump, P/S

40-14 631 0002 | MHP0255

#### Notes

New part without deposit

Operating Pressure [bar]

Hydraulic  
100

#### References

4007.AW

4007.EP



#### Application info

C8 (06/02--)

### Hydraulic pump, P/S

11-14 631 0000 | MHP0121

#### Notes

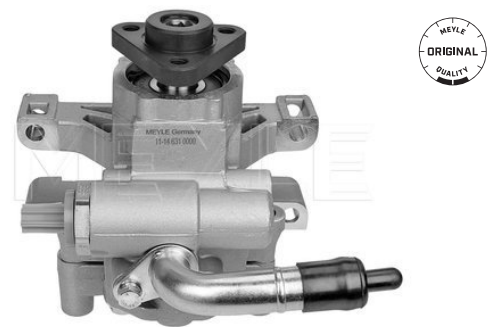
New part without deposit

Operating Pressure [bar]

Hydraulic  
115

#### References

4007.KK



#### Application info

Jumper III (04/06--)

### Hydraulic pump, P/S

11-14 631 0006 | MHP0281

#### Notes

New part without deposit

Belt Pulley Ø [mm]

Manufacturer Restriction

Number of ribs

Operating Pressure [bar]

Hydraulic  
126  
ZF  
6  
102

#### References

16 736 061 80

4007.KL



#### Application info

Jumpy II (01/07--)

214 631 0002 | MHP0194

Hydraulic pump, P/S



Notes

New part without deposit

Operating Pressure [bar]

Hydraulic  
115

References

4007.SF

Application info

Jumper III [04/06--]

11-14 631 0014 | MHP0315

Hydraulic pump, P/S



Notes

New part without deposit

Number of ribs  
Operating Pressure [bar]

Hydraulic  
6  
105

References

14 402 003 80

4007.TC

Application info

Nemo [02/08--]

11-14 631 0004 | MHP0267

Hydraulic pump, P/S



Notes

New part without deposit

Operating Pressure [bar]

Hydraulic  
80

References

4007.57

4007.V7

Application info

Berlingo I [07/96-12/11]  
ZX [03/91-07/99]

C25 [07/81-07/94]  
Xsara [04/97-03/10]

**Hydraulic pump, P/S**
**40-14 631 0004 | MHP0257**
**Notes**

New part without deposit

Operating Pressure [bar]

 Hydraulic  
100

**References**

4007.V9

96 323 350 80


**Application info**

 Berlingo I [07/96-12/11]  
ZX [03/91-07/99]

Xsara [04/97-03/10]

**Hydraulic pump, P/S**
**11-14 631 0018 | MHP0360**
**Notes**

New part without deposit

 Number of ribs  
Operating Pressure [bar]

 Hydraulic  
6  
100

**References**

4007.VQ


**Application info**

C4 I / Coupe / Grand Picasso / Picasso / Stufenheck [11/04--]

**Hydraulic pump, P/S**
**11-14 631 0009 | MHP0311**
**Notes**

New part without deposit

 Number of ribs  
Operating Pressure [bar]

 Hydraulic  
6  
105

**References**

 4007.R3  
4007.W1

96 271 468 80


**Application info**

 Berlingo I [07/96-12/11]  
ZX [03/91-07/99]

Xsara [04/97-03/10]

11-14 631 0016 | MHP0342

Hydraulic pump, P/S



Notes

New part without deposit

Number of ribs  
Operating Pressure [bar]

Hydraulic  
6  
105

References

4007.H0  
4007.JC

4007.WL

Application info

Berlingo I [07/96-12/11]  
Xsara Picasso [09/99-06/12]  
C3 Picasso [02/09--]

C3 II [09/09--]  
C2 / C3 I / Pluriel [02/02--]

11-14 631 0001 | MHP0224

Hydraulic pump, P/S



Notes

New part without deposit

Operating Pressure [bar]

Hydraulic  
100

References

4007.HZ  
4007.LA

4007.WQ

Application info

Berlingo I [07/96-12/11]

11-14 631 0005 | MHP0280

Hydraulic pump, P/S



Notes

New part without deposit

Belt Pulley Ø [mm]  
Number of ribs  
Operating Pressure [bar]

Hydraulic  
126  
6  
100

References

4007.RZ

4007.ZR

Application info

C5 III (RD\_, TD\_) [02/08--]



**Hydraulic pump, P/S**

**40-14 631 0003 | MHP0256**

**Notes**

New part without deposit

Operating Pressure [bar]

Hydraulic  
105

**References**

4007.TQ

98 126 122 80



**Application info**

Berlingo II (04/08--)

**Hydraulic pump, P/S**

**11-14 631 0003 | MHP0266**

**Notes**

New part without deposit

Operating Pressure [bar]

Hydraulic  
80



**Application info**

Saxo (02/96-04/04)

**Steering boot kit**

**11-14 620 0025 | MSK0102**

**Notes**

Inner diameter 2 [mm]

Inner diameter 1 [mm]

Height [mm]

with accessories

51

12

186

Front Axle Left

Front Axle Right

**References**

16 108 175 80



**Application info**

C4 II / DS4 (02/09--)

C4 Grand Picasso II (01/13--)

C4 SPACETOURER / GRAND SPACETOURER (04/18--)

Berlingo III (06/18--)

C5 AIRCROSS (11/18--)

11-14 620 0006 | MSK0041

Steering boot kit



Notes

Inner diameter 2 [mm]  
Inner diameter 1 [mm]  
Height [mm]

with accessories  
39  
11  
66  
Front Axle Left  
Front Axle Right

References

4066.16

Application info

ZX [03/91-07/99]

Xsara [04/97-03/10]

11-14 620 0000 | MSK0037

Steering boot kit



Notes

Inner diameter 2 [mm]  
Inner diameter 1 [mm]  
Height [mm]

with accessories  
40  
10  
175  
Front Axle

References

4066.20

91 510 923

Application info

Berlingo I [07/96-12/11]  
ZX [03/91-07/99]

C15 / Visa [09/78-10/06]

11-14 620 0003 | MSK0039

Steering boot kit



Notes

Inner diameter 2 [mm]  
Inner diameter 1 [mm]  
Height [mm]

with accessories  
62  
13  
210  
Front Axle Left  
Front Axle Right

References

4066.41

Application info

Evasion [03/94-10/02]

Jumpy I [06/94-12/06]

**Steering boot kit**
**11-14 620 0007 | MSK0042**
**Notes**

Inner diameter 2 [mm]	with accessories
Inner diameter 1 [mm]	43
Height [mm]	11
	150

**References**

4066.43


**Application info**

 Berlingo I [07/96-12/11]  
ZX [03/91-07/99]

 Xsara Picasso [09/99-06/12]  
Xsara [04/97-03/10]

**Steering boot kit**
**11-14 620 0008 | MSK0043**
**Notes**

Inner diameter 2 [mm]	with accessories
Inner diameter 1 [mm]	43
Height [mm]	11
	202
	Front Axle Right

**References**

4066.44


**Application info**

Berlingo I [07/96-12/11]

Xsara [04/97-03/10]

**Steering boot kit**
**40-14 620 0000 | MSK0022**
**Notes**

Inner diameter 2 [mm]	with accessories
Inner diameter 1 [mm]	Thermoplast
Height [mm]	58
	21
	170
	Front Axle Right
	Front Axle Left

**References**

4066.64

4066.74


**Application info**

C5 I / C5 II [03/01--]

11-14 620 0019 | MSK0084

Steering boot kit



Notes

Inner diameter 2 [mm]  
Inner diameter 1 [mm]  
Height [mm]

Thermoplast  
50  
15  
173  
Front Axle Left  
Front Axle Right

References

4066.69

Application info

C3 II (09/09--)

C2 / C3 I / Pluriel (02/02--)

11-14 620 0005 | MSK0040

Steering boot kit



Notes

Inner diameter 2 [mm]  
Inner diameter 1 [mm]  
Height [mm]

with accessories  
60  
17  
183  
Front Axle Left  
Front Axle Right

References

4066.73

Application info

C4 I / Coupe / Grand Picasso / Picasso / Stufenheck (11/04--)

40-14 620 0004 | MSK0123

Steering boot kit



Notes

Inner diameter 2 [mm]  
Inner diameter 1 [mm]  
Height [mm]

with accessories  
61  
15.5  
190  
Front Axle Left  
Front Axle Right

References

4066.82  
4066.85

4066.92

Application info

Berlingo I (07/96-12/11)  
C5 III (RD\_, TD\_) (02/08--)  
C4 I / Coupe / Grand Picasso / Picasso / Stufenheck (11/04--)

DS5 (09/11-07/15)  
C4 II / DS4 (02/09--)  
Berlingo II (04/08--)

7



### Steering boot kit

40-14 620 0002 | MSK0121

#### Notes

Inner diameter 2 [mm]  
Inner diameter 1 [mm]  
Height [mm]

with accessories  
50  
13.5  
177  
Front Axle Left  
Front Axle Right

#### References

4066.88



#### Application info

C5 I / C5 II (03/01--)

C5 III (RD\_, TD\_) (02/08--)

### Steering boot kit

216 050 0025 | MSK0108

#### Notes

Inner diameter 2 [mm]  
Inner diameter 1 [mm]  
Height [mm]

with accessories  
Thermoplast  
55  
12  
200  
Front Axle Right  
Front Axle Left

#### References

4066.95



#### Application info

Nemo (02/08--)

### Steering boot kit

40-14 620 0003 | MSK0122

#### Notes

Inner diameter 2 [mm]  
Inner diameter 1 [mm]  
Height [mm]

with accessories  
53  
12.5  
192  
Front Axle Left  
Front Axle Right

#### References

4066.97



#### Application info

C3 II (09/09--)

DS3 (11/09-12/16)

11-14 620 0026 | MSK0103

Steering boot kit



Notes

Inner diameter 2 [mm]  
Inner diameter 1 [mm]  
Height [mm]

with accessories  
51  
11.5  
170  
Front Axle Left  
Front Axle Right

References

4066A3

Application info

C1 [06/05-09/14]

C1 II [04/14--]

11-14 620 0024 | MSK0101

Steering boot kit



Notes

Inner diameter 2 [mm]  
Inner diameter 1 [mm]  
Height [mm]

with accessories  
51.5  
12.5  
198  
Front Axle Left  
Front Axle Right

Application info

C4 Cactus [09/14--]

11-16 030 0008/HD | MAR0486HD

Axial rod



Notes

Thread Size 2  
Thread Size 1  
Length [mm]

M16x1,5  
M16x1,5  
315  
Front Axle Left  
Front Axle Right

reinforced version

References

14 716 540 80

4018.A4

Application info

Jumper I [02/94-08/02]

Jumper II [02/02--]



### Axial rod

11-16 030 7528 | MAR0018

#### Notes

Thread Size 2	M16x1,5
Thread Size 1	M16x1,5
Length [mm]	315
	Front Axle Right
	Front Axle Left

#### References

14 716 540 80	4018.A4
16 072 927 80	



#### Application info

Jumper I [02/94-08/02]

Jumper II [02/02--]

### Axial rod

11-16 031 0032 | MAR0374

#### Notes

Thread Size 2	M14x1.5
Thread Size 1	M14x1.5
Length [mm]	342
	Front Axle Right
	Front Axle Left

#### References

16 085 321 80



#### Application info

C4 AIRCROSS [08/10--]

### Axial rod

40-16 031 0001/HD | MAR0524HD

#### Notes

Thread Size 2	M16x1,5
Thread Size 1	M12x1
Length [mm]	230.5
	Front Axle Right
	Front Axle Left

reinforced version

#### References

16 08 652 180



#### Application info

C Elyse [11/12--]

40-16 031 0002/HD | MAR0480HD

Axial rod



Notes

Thread Size 2  
Thread Size 1  
Length [mm]

M14X1,5  
M14X1,5  
221  
Front Axle Left  
Front Axle Right

reinforced version

References

16 108 176 80

Application info

C4 II / DS4 [02/09--]  
C4 Cactus [09/14--]  
C4 Grand Picasso II [01/13--]

C4 SPACETOURER / GRAND SPACETOURER [04/18--]  
C5 AIRCROSS [11/18--]

11-16 031 0007 | MAR0022

Axial rod



Notes

Thread Size 2  
Thread Size 1  
Length [mm]

M16x1,5  
M12x1  
212  
Front Axle Right  
Front Axle Left

References

16 109 355 80

3812.E8

Application info

C3 Picasso [02/09--]

11-16 031 0023 | MAR0033

Axial rod



Notes

Thread Size 2  
Thread Size 1  
Length [mm]

M14x1,5  
M16x1,5  
129  
Front Axle Right  
Front Axle Left

References

16 109 377 80

3812.F3

Application info

C5 III (RD\_, TD\_) [02/08--]





### Axial rod

11-16 031 0030 | MAR0039

#### Notes

Thread Size 2	M14x1,5
Thread Size 1	M14x1,5
Length [mm]	390
	Front Axle Left
	Front Axle Right



#### References

16 109 425 80	3812.F7
16 357 708 80	

#### Application info

DS5 (09/11-07/15)

### Axial rod

11-16 031 0012/HD | MAR0488HD

#### Notes

Thread Size 2	M16x1,5
Thread Size 1	M16x1,5
Length [mm]	255
	Front Axle Left
	Front Axle Right



reinforced version

#### References

1610976380	4001 E4
4001 A1	4001 E5

#### Application info

Jumper III (04/06--)

### Axial rod

11-16 031 0022 | MAR0032

#### Notes

Thread Size 2	M16x1,5
Thread Size 1	M16x1,5
Length [mm]	255
	Front Axle Right
	Front Axle Left



#### References

1610976380	4001.E4
4001.A1	4001.E5

#### Application info

Jumper III (04/06--)

7

11-16 031 0037/HD | MAR0584HD

Axial rod



Notes

Thread Size 2  
Thread Size 1  
Length [mm]

M14x1,5  
M14x1,5  
204  
Front Axle Right  
Front Axle Left

reinforced version

References

16 112 423 80

Application info

Berlingo III (06/18--)

11-16 031 0036 | MAR0586

Axial rod



Notes

Thread Size 2  
Thread Size 1  
Length [mm]

M14x1,5  
M14x1,5  
229  
Front Axle Right  
Front Axle Left

References

16 231 408 80

Application info

DS3 (11/09-12/16)

C3 III (07/16--)

11-16 031 0039 | MAR0655

Axial rod



Notes

Thread Size 2  
Thread Size 1  
Length [mm]

M14x1,5  
M14x1,5  
201  
Front Axle Right  
Front Axle Left

References

16 488 366 80

16 488 367 80

Application info

Berlingo II (04/08--)

Berlingo III (06/18--)

7



### Axial rod

216 031 0004 | MAR0133

#### Notes

Thread Size 2	M14x1,5
Thread Size 1	M14x1,5
Length [mm]	307
	Front Axle Right
	Front Axle Left



#### References

16 072 928 80	3812.A4
---------------	---------

#### Application info

Evasion [03/94-10/02]

Jumpy I [06/94-12/06]

### Axial rod

11-16 031 0017 | MAR0028

#### Notes

Thread Size 2	M16x1,5
Thread Size 1	M12x1
Length [mm]	192
	for vehicles with power steering
	Front Axle Right
	Front Axle Left



#### References

3812.A6

#### Application info

Xantia [03/93-04/03]

XM [05/89-10/00]

### Axial rod

11-16 030 0001 | MAR0015

#### Notes

Thread Size 2	M14x1,5
Thread Size 1	M12x1
Length [mm]	338
	Front Axle Right
	Front Axle Left



#### References

16 072 931 80	3812.E4
3812.C0	96 048 214
3812.C6	

#### Application info

Berlingo I [07/96-12/11]  
ZX [03/91-07/99]

Xsara Picasso [09/99-06/12]  
Xsara [04/97-03/10]

11-16 031 0006 | MAR0021

Axial rod



Notes

Thread Size 2  
Thread Size 1  
Length [mm]

M16x1,5  
M16x1,5  
182  
Front Axle Right  
Front Axle Left

References

3812.C8

Application info

C5 I / C5 II (03/01--)

11-16 031 0015 | MAR0026

Axial rod



Notes

Thread Size 2  
Thread Size 1  
Length [mm]

M14x1,5  
M14x1,5  
320  
Front Axle Right  
Front Axle Left

References

3812.E0

Application info

C4 I / Coupe / Grand Picasso / Picasso / Stufenheck (11/04--)

11-16 031 0009 | MAR0024

Axial rod



Notes

Thread Size 2  
Thread Size 1  
Length [mm]

M14x1,5  
M12x1  
235  
Front Axle Right  
Front Axle Left

References

16 072 933 80

3812.E1

Application info

C2 / C3 I / Pluriel (02/02--)



### Axial rod

11-16 031 0011/HD | MAR0487HD

#### Notes

Thread Size 2	M14x1,5
Thread Size 1	M12x1
Length [mm]	235
	Front Axle Left
	Front Axle Right

reinforced version



#### References

3812.E1

#### Application info

C2 / C3 I / Pluriel (02/02--)

### Axial rod

216 031 0005 | MAR0134

#### Notes

Thread Size 2	M14x1,5
Thread Size 1	M14x1,5
Length [mm]	308
	Front Axle Right
	Front Axle Left



#### References

16 072 944 80	3812.E2
---------------	---------

#### Application info

C8 (06/02--)

### Axial rod

11-16 031 0019 | MAR0029

#### Notes

Thread Size 2	M14x1,5
Thread Size 1	M14x1,5
Length [mm]	341
	Front Axle Right
	Front Axle Left



#### References

16 072 917 80	3812.E5
---------------	---------

#### Application info

C4 I / Coupe / Grand Picasso / Picasso / Stufenheck (11/04--)

7

40-16 031 0000/HD | MAR0476HD

Axial rod



Notes

Thread Size 2  
Thread Size 1  
Length [mm]

M16x1,5  
M12x1  
238.5  
Front Axle Left  
Front Axle Right

reinforced version

References

3812.E6

Application info

C2 / C3 I / Pluriel (02/02--)

11-16 031 0008 | MAR0023

Axial rod



Notes

Thread Size 2  
Thread Size 1  
Length [mm]

M14x1,5  
M16x1,5  
122  
Front Axle Right  
Front Axle Left

References

3812.E3

3812.E7

Application info

C6 (09/05-12/12)

11-16 031 0025 | MAR0035

Axial rod



Notes

Thread Size 2  
Thread Size 1  
Length [mm]

M16x1,5  
M14x1,5  
310  
Front Axle Right  
Front Axle Left

References

16 109 359 80  
16 357 705 80

3812.E9

Application info

C4 I / Coupe / Grand Picasso / Picasso / Stufenheck (11/04--)

7



### Axial rod

11-16 031 0020 | MAR0030

#### Notes

Thread Size 2	M14x1,5
Thread Size 1	M16x1,5
Length [mm]	305
	Front Axle Right
	Front Axle Left



#### References

16 109 423 80	3812.F0
---------------	---------

#### Application info

C8 [06/02--]	Jumpy II [01/07--]
--------------	--------------------

### Axial rod

11-16 031 0013/HD | MAR0489HD

#### Notes

Thread Size 2	M14x1,5
Thread Size 1	M14x1,5
Length [mm]	345
	Front Axle Left
	Front Axle Right



reinforced version

#### References

3812.F1

#### Application info

C-Crosser [02/07--]

### Axial rod

11-16 031 0021 | MAR0031

#### Notes

Thread Size 2	M14x1,5
Thread Size 1	M14x1,5
Length [mm]	271
	Front Axle Right
	Front Axle Left



#### References

16 109 369 80	3812.F2
---------------	---------

#### Application info

C4 II / DS4 [02/09--]

7

11-16 031 0024 | MAR0034

Axial rod



Notes

Thread Size 2  
Thread Size 1  
Length [mm]

M14x1,5  
M14x1,5  
260  
Front Axle Right  
Front Axle Left

References

3812.F4

Application info

Berlingo II (04/08--)

16-16 031 0005 | MAR0109

Axial rod



Notes

Thread Size 2  
Thread Size 1  
Length [mm]

M14x1,5  
M12x1  
248  
Front Axle Right  
Front Axle Left

References

3812.F6

Application info

C3 II (09/09--)

DS3 (11/09-12/16)

11-16 031 0026 | MAR0036

Axial rod



Notes

Thread Size 2  
Thread Size 1  
Length [mm]

M12x1,25  
M14x1,5  
225  
Front Axle Right  
Front Axle Left

References

4001.33

Application info

C1 (06/05-09/14)

7





### Axial rod

11-16 031 0034/HD | MAR0491HD

#### Notes

Thread Size 2	M12x1,25
Thread Size 1	M14x1,5
Length [mm]	225
	Front Axle Left
	Front Axle Right

reinforced version

#### References

4001.33



#### Application info

C1 [06/05-09/14]

### Axial rod

216 031 0017 | MAR0146

#### Notes

Thread Size 2	M14x1,5
Thread Size 1	M14x1,5
Length [mm]	272
	Front Axle Right
	Front Axle Left

#### References

4001.77	4001 NZ
4001 K6	4001 PA



#### Application info

Nemo [02/08--]

### Axial rod

216 031 0030/HD | MAR0509HD

#### Notes

Thread Size 2	M14x1,5
Thread Size 1	M14x1,5
Length [mm]	272
	Front Axle Left
	Front Axle Right

reinforced version

#### References

4001.77	4001 NZ
4001 K6	4001 PA



#### Application info

Nemo [02/08--]

11-16 030 5749 | MAR0016

Axial rod



Notes

Thread Size 2  
Thread Size 1  
Length [mm]

M14x1,5  
M12x1  
314  
Front Axle Right  
Front Axle Left

References

16 109 385 80

96 136 394

Application info

Xantia [03/93-04/03]

C15 / Visa [09/78-10/06]

11-16 031 0035/HD | MAR0565HD

Axial rod



Notes

Thread Size 2  
Thread Size 1  
Length [mm]

M14x1,5  
M16x1,5  
264  
Front Axle Right  
Front Axle Left

reinforced version

References

98 203 402 80

Application info

Jumpy III [04/16--]

Spacetourer [04/16--]

11-16 031 0014/HD | MAR0490HD

Axial rod



Notes

Thread Size 2  
Thread Size 1  
Length [mm]

M14x1,5  
M12x1  
225  
Front Axle Right  
Front Axle Left

reinforced version

References

16 080 253 80

Application info

C4 Cactus [09/14--]

7

**Axial rod**
**11-16 031 0031 | MAR0040**
**Notes**

Thread Size 2 M14x1,5  
Thread Size 1 M12x1  
Length [mm] 225  
Front Axle Right  
Front Axle Left


**References**

16 080 253 80

**Application info**

C4 Cactus (09/14-- )

**Tie rod end**
**32-16 020 0000 | MTE0366**
**Notes**

Thread Size 2 M14x1,5  
Thread Size 1 M10x1,5  
Length [mm] 78  
Front Axle Right  
Front Axle Left


**References**

16 075 024 80 3817.74  
16 109 398 80

**Application info**

C-Crosser (02/07-- )

C4 AIRCROSS (08/10-- )

**Tie rod end**
**11-16 020 0034 | MTE0541**
**Notes**

Thread Size 2 M14x1,5  
Thread Size 1 M10x1,25  
Length [mm] 200  
Front Axle Left


**References**

16 08 025 180 16 289 502 80

**Counterpart**

11-16 020 0033 | MTE0540

**Application info**

C4 Cactus (09/14-- )

11-16 020 0033 | MTE0540

Tie rod end



Notes

Thread Size 2 M14x1,5  
Thread Size 1 M10x1,25  
Length [mm] 200  
Front Axle Right

References

16 08 025 280 16 289 501 80

Counterpart

11-16 020 0034 | MTE0541

Application info

C4 Cactus (09/14--)

16-16 020 0041/HD | MTE0761HD

Tie rod end



Notes

Thread Size 2 M14x1,5  
Thread Size 1 M12x1,5  
Length [mm] 210  
Front Axle Left  
reinforced version

References

16 099 482 80 3817.80  
16 109 373 80

Counterpart

16-16 020 0042/HD | MTE0762HD

Application info

C5 III (RD\_, TD\_) (02/08--)

16-16 020 0042/HD | MTE0762HD

Tie rod end



Notes

Thread Size 2 M14x1,5  
Thread Size 1 M12x1,5  
Length [mm] 210  
Front Axle Right  
reinforced version

References

16 09 948 380 3817.81  
16 109 374 80

Counterpart

16-16 020 0041/HD | MTE0761HD

Application info

C5 III (RD\_, TD\_) (02/08--)



### Tie rod end

### 40-16 020 0001/HD | MTE0770HD

#### Notes

Thread Size 2	M14x1,5
Thread Size 1	M12x1,5
Length [mm]	215
	Front Axle Left

reinforced version

#### References

16 108 177 80	16 112 421 80
---------------	---------------

#### Counterpart

40-16 020 0000/HD | MTE0769HD



#### Application info

C4 II / DS4 (02/09--)  
 Berlingo II (04/08--)  
 C4 Cactus (09/14--)  
 C4 Grand Picasso II (01/13--)

C4 SPACETOURER / GRAND SPACETOURER (04/18--)  
 Berlingo III (06/18--)  
 C5 AIRCROSS (11/18--)

### Tie rod end

### 40-16 020 0000/HD | MTE0769HD

#### Notes

Thread Size 2	M14x1,5
Thread Size 1	M12x1,5
Length [mm]	215
	Front Axle Right

reinforced version

#### References

16 108 178 80	16 112 422 80
---------------	---------------

#### Counterpart

40-16 020 0001/HD | MTE0770HD



#### Application info

C4 II / DS4 (02/09--)  
 Berlingo II (04/08--)  
 C4 Cactus (09/14--)  
 C4 Grand Picasso II (01/13--)

C4 SPACETOURER / GRAND SPACETOURER (04/18--)  
 Berlingo III (06/18--)  
 C5 AIRCROSS (11/18--)

### Tie rod end

### 11-16 020 0015/HD | MTE0085HD

#### Notes

Thread Size 2	M16x1,5
Thread Size 1	M14x1,5
Length [mm]	209
	Front Axle Left

reinforced version

#### References

16 109 397 80	3817.69
16 109 764 80	3817.77

#### Counterpart

11-16 020 0016/HD | MTE0086HD



# 7

11-16 020 0015/HD | MTE0085HD

Tie rod end

Application info

Jumper III (04/06--)

40-16 020 0005 | MTE0867

Tie rod end



Notes

Thread Size 2  
Thread Size 1  
Length [mm]

14x1,5  
10x1,25  
192  
Front Axle Left

References

16 231 410 80

Counterpart

40-16 020 0006 | MTE0868

Application info

DS3 (11/09-12/16)

C3 III (07/16--)

40-16 020 0006 | MTE0868

Tie rod end



Notes

Thread Size 2  
Thread Size 1  
Length [mm]

14x1,5  
10x1,25  
192  
Front Axle Right

References

16 231 411 80

Counterpart

40-16 020 0005 | MTE0867

Application info

DS3 (11/09-12/16)

C3 III (07/16--)

11-16 020 0010 | MTE0080

Tie rod end



Notes

Thread Size 2  
Thread Size 1  
Length [mm]

M16x1,5  
M10x1,25  
210  
Front Axle Right

References

16 086 523 80  
16 109 352 80  
16 289 503 80

16 357 721 80  
3817.68

Counterpart

11-16 020 0009 | MTE0079



### Tie rod end

11-16 020 0010 | MTE0080

#### Application info

C3 Picasso (02/09--)

C Elyse (11/12--)

### Tie rod end

11-16 020 0009 | MTE0079

#### Notes

Thread Size 2	M16x1,5
Thread Size 1	M10x1,25
Length [mm]	210
	Front Axle Left

#### References

16 086 522 80	16 357 723 80
16 109 351 80	3817.67
16 289 504 80	

#### Counterpart

11-16 020 0010 | MTE0080



#### Application info

C3 Picasso (02/09--)

C Elyse (11/12--)

### Tie rod end

616 020 0031 | MTE0890

#### Notes

Thread Size 2	14x1,5
Thread Size 1	10x1,25
Length [mm]	155
	Front Axle Right
	Front Axle Left

#### References

16 310 569 80



#### Application info

C3 AIRCROSS II (06/17--)

### Tie rod end

11-16 020 0019 | MTE0089

#### Notes

Thread Size 2	M14x1,5
Thread Size 1	M12x1,5
Length [mm]	77
	Front Axle Right
	Front Axle Left

#### References

16 109 418 80	3817.73
3814.A5	



7

11-16 020 0019 | MTE0089

Tie rod end

Application info

C8 [06/02--]  
Jumpy II [01/07--]

DS5 [09/11-07/15]  
C4 II / DS4 [02/09--]

11-16 020 0006 | MTE0077

Tie rod end



Notes

Thread Size 2  
Thread Size 1  
Length [mm]

M16x1,5  
M10x1,25  
110  
for vehicles with power steering  
Front Axle Left

References

3817.37

3817.43

Counterpart

11-16 020 0005 | MTE0076

Application info

Xantia [03/93-04/03]

XM [05/89-10/00]

11-16 020 0005 | MTE0076

Tie rod end



Notes

Thread Size 2  
Thread Size 1  
Length [mm]

M16x1,5  
M10x1,25  
115  
for vehicles with power steering  
Front Axle Right

References

3817.38

3817.44

Counterpart

11-16 020 0006 | MTE0077

Application info

Xantia [03/93-04/03]

XM [05/89-10/00]



**Tie rod end**
**11-16 020 5703/HD | MTE0105HD**
**Notes**

Thread Size 2 M14x1,5  
Thread Size 1 M10x1,5  
Length [mm] 91  
Front Axle Right  
Front Axle Left

reinforced version

**References**

16 073 161 80 3817.50  
3817.18


**Application info**

Berlingo I [07/96-12/11]  
ZX [03/91-07/99]  
Xsara Picasso [09/99-06/12]

C15 / Visa [09/78-10/06]  
C4 I / Coupe / Grand Picasso / Picasso / Stufenheck [11/04--]  
Xsara [04/97-03/10]

**Tie rod end**
**40-16 020 0002 | MTE0437**
**Notes**

Thread Size 2 M14x1,5  
Thread Size 1 M10x1,25  
Length [mm] 175  
Front Axle Left

**References**

16 073 213 80 3817.55

**Counterpart**

11-16 020 0008 | MTE0078


**Application info**

C2 / C3 I / Pluriel [02/02--]

**Tie rod end**
**11-16 020 0008 | MTE0078**
**Notes**

Thread Size 2 M14x1,5  
Thread Size 1 M10x1,25  
Length [mm] 175  
Front Axle Right

**References**

16 073 214 80 3817.56

**Counterpart**

40-16 020 0002 | MTE0437


**Application info**

C2 / C3 I / Pluriel [02/02--]

11-16 020 0011 | MTE0081

Tie rod end



Notes

Thread Size 2 M16x1,5  
Thread Size 1 M10x1,25  
Length [mm] 230  
for vehicles with power steering  
Front Axle Left

References

16 073 215 80 3817.59  
3817.53

Counterpart

11-16 020 0012 | MTE0082

Application info

C5 I / C5 II (03/01--)

11-16 020 0012 | MTE0082

Tie rod end



Notes

Thread Size 2 M16x1,5  
Thread Size 1 M10x1,25  
Length [mm] 230  
for vehicles with power steering  
Front Axle Right

References

16 073 216 80 3817.60  
3817.54

Counterpart

11-16 020 0011 | MTE0081

Application info

C5 I / C5 II (03/01--)

40-16 020 0004/HD | MTE0751HD

Tie rod end



Notes

Thread Size 2 16x1,5  
Thread Size 1 10x1,25  
Length [mm] 170  
Front Axle Right  
reinforced version

References

3817.61

Counterpart

40-16 020 0003/HD | MTE0750HD

**Tie rod end**

**40-16 020 0004/HD | MTE0751HD**

**Application info**

C2 / C3 I / Pluriel (02/02--)

**Tie rod end**

**40-16 020 0003/HD | MTE0750HD**

**Notes**

Thread Size 2	16X1.5
Thread Size 1	10X1.25
Length [mm]	170
	Front Axle Left

reinforced version



**References**

3817.62

**Counterpart**

40-16 020 0004/HD | MTE0751HD

**Application info**

C2 / C3 I / Pluriel (02/02--)

**Tie rod end**

**11-16 020 0017 | MTE0087**

**Notes**

Thread Size 2	M12x1,25
Thread Size 1	M12x1,25
Length [mm]	162
	Front Axle Left



**References**

16 109 360 80                      3817.63

**Counterpart**

11-16 020 0018 | MTE0088

**Application info**

C1 (06/05-09/14)

C1 II (04/14--)

**Tie rod end**

**11-16 020 0018 | MTE0088**

**Notes**

Thread Size 2	M12x1,25
Thread Size 1	M12x1,25
Length [mm]	162
	Front Axle Right



**References**

16 109 361 80                      3817.64

**Counterpart**

11-16 020 0017 | MTE0087

7

11-16 020 0018 | MTE0088

Tie rod end

Application info

C1 [06/05-09/14]

C1 II [04/14--]

11-16 020 0014 | MTE0084

Tie rod end



Notes

Thread Size 2  
Thread Size 1  
Length [mm]

M14x1,5  
M12x1,5  
241  
Front Axle Left

References

3817.65

Counterpart

11-16 020 0013 | MTE0083

Application info

C6 [09/05-12/12]

11-16 020 0013 | MTE0083

Tie rod end



Notes

Thread Size 2  
Thread Size 1  
Length [mm]

M14x1,5  
M12x1,5  
241  
Front Axle Right

References

3817.66

Counterpart

11-16 020 0014 | MTE0084

Application info

C6 [09/05-12/12]

11-16 020 0016/HD | MTE0086HD

Tie rod end



Notes

Thread Size 2  
Thread Size 1  
Length [mm]

M16x1,5  
M14x1,5  
209  
Front Axle Right

reinforced version

References

16 109 396 80

3817.70

Counterpart

11-16 020 0015/HD | MTE0085HD



### Tie rod end

11-16 020 0016/HD | MTE0086HD

#### Application info

Jumper III (04/06--)

### Tie rod end

11-16 020 0028 | MTE0098

#### Notes

Thread Size 2	M16x1,5
Thread Size 1	M10x1,25
Length [mm]	120
	Front Axle Left

#### References

16 109 357 80	3817.71
16 357 730 80	

#### Counterpart

11-16 020 0029 | MTE0099



#### Application info

C4 I / Coupe / Grand Picasso / Picasso / Stufenheck (11/04--)

### Tie rod end

11-16 020 0029 | MTE0099

#### Notes

Thread Size 2	M16x1,5
Thread Size 1	M10x1,25
Length [mm]	120
	Front Axle Right

#### References

16 109 358 80	3817.72
---------------	---------

#### Counterpart

11-16 020 0028 | MTE0098



#### Application info

C4 I / Coupe / Grand Picasso / Picasso / Stufenheck (11/04--)

### Tie rod end

216 020 0015 | MTE0237

#### Notes

Thread Size 2	M14x1,5
Thread Size 1	M10x1,5
Length [mm]	115
	Front Axle Left

#### References

16 109 371 80	3817.86
---------------	---------

#### Counterpart

216 020 0016 | MTE0238



216 020 0015 | MTE0237

Tie rod end

Application info

Nemo [02/08--]

216 020 0016 | MTE0238

Tie rod end



Notes

Thread Size 2	M14x1,5
Thread Size 1	M10x1,25
Length [mm]	115
	Front Axle Right

References

16 109 372 80	3817.87
---------------	---------

Counterpart

216 020 0015 | MTE0237

Application info

Nemo [02/08--]

11-16 020 0023 | MTE0093

Tie rod end



Notes

Thread Size 2	M14x1,5
Thread Size 1	M10x1,5
Length [mm]	165
	Front Axle Right

References

16 109 365 80	3817.88
3817.75	

Counterpart

11-16 020 0022 | MTE0092

Application info

Berlingo I [07/96-12/11]  
C4 II / DS4 [02/09--]

Berlingo II [04/08--]



### Tie rod end

11-16 020 0022 | MTE0092

#### Notes

Thread Size 2	M14x1,5
Thread Size 1	M10x1,5
Length [mm]	165
	Front Axle Left

#### References

16 109 368 80	3817.89
3817.76	

#### Counterpart

11-16 020 0023 | MTE0093



#### Application info

Berlingo I [07/96-12/11]  
C4 II / DS4 [02/09--]

Berlingo II [04/08--]

### Tie rod end

11-16 020 0025 | MTE0095

#### Notes

Thread Size 2	M14x1,5
Thread Size 1	M10x1,25
Length [mm]	178
	Front Axle Right

#### References

16 109 362 80	3817.91
---------------	---------

#### Counterpart

11-16 020 0024 | MTE0094



#### Application info

C3 II [09/09--]

DS3 [11/09-12/16]

### Tie rod end

11-16 020 0024 | MTE0094

#### Notes

Thread Size 2	M14x1,5
Thread Size 1	M10x1,25
Length [mm]	178
	Front Axle Left

#### References

16 109 363 80	3817.92
---------------	---------

#### Counterpart

11-16 020 0025 | MTE0095



#### Application info

C3 II [09/09--]

DS3 [11/09-12/16]

7

11-16 020 0032 | MTE0102

Tie rod end



Notes

Thread Size 2  
Thread Size 1  
Length [mm]

M14x1,5  
M10x1,25  
80  
Front Axle Right  
Front Axle Left

References

3817.94

Application info

DS5 [09/11-07/15]

11-16 020 7529 | MTE0108

Tie rod end



Notes

Thread Size 2  
Thread Size 1  
Length [mm]

M16x1,5  
M12x1,25  
119  
Front Axle Right  
Front Axle Left

References

16 073 209 80  
4018.A3

4018.H4

Application info

Jumper I [02/94-08/02]

Jumper II [02/02--]

216 060 0007 | MTE0255

Tie rod end



Notes

Thread Size 2  
Thread Size 1  
Length [mm]

M16x1,5  
M14x1,5  
120  
for vehicles with power steering  
Front Axle Right  
Front Axle Left

References

16 073 149 80

4018.E0

Application info

Jumper II [02/02--]





### Tie rod end

216 020 0062 | MTE0248

#### Notes

Thread Size 2	M14x1,5
Thread Size 1	M10x1,25
Length [mm]	75
	Front Axle Right
	Front Axle Left

#### References

16 073 152 80	4059.12
---------------	---------



#### Application info

Jumpy I [06/94-12/06]

C8 [06/02--]

### Tie rod end

11-16 020 5042 | MTE0104

#### Notes

Thread Size 2	M14x1,5
Thread Size 1	M10x1,25
Length [mm]	75
	Front Axle Right
	Front Axle Left

#### References

16 073 206 80	94 040 590 80
4059.09	



#### Application info

Evasion [03/94-10/02]

Jumpy I [06/94-12/06]

### Tie rod end

40-16 020 5724/HD | MTE0439HD

#### Notes

Thread Size 2	M14x1,5
Thread Size 1	M10x1,25
Length [mm]	112
reinforced version	

#### References

16 073 163 80	94 580 842 80
3817.31	94 710 006 65
3817.42	94 710 074 65

#### Counterpart

40-16 020 5723/HD | MTE0438HD



#### Application info

AX [07/86-12/98]  
Saxo [02/96-04/04]  
Xantia [03/93-04/03]

XM [05/89-10/00]  
C4 I / Coupe / Grand Picasso / Picasso / Stufenheck [11/04--]

40-16 020 5723/HD | MTE0438HD

Tie rod end



Notes

Thread Size 2  
Thread Size 1  
Length [mm]  
reinforced version

M14x1,5  
M10x1,25  
112

References

16 073 162 80  
3817.41  
94 580 841 80

94 710 005 65  
94 710 075 65

Counterpart

40-16 020 5724/HD | MTE0439HD

Application info

AX (07/86-12/98)  
Saxo (02/96-04/04)  
Xantia (03/93-04/03)

XM (05/89-10/00)  
C4 I / Coupe / Grand Picasso / Picasso / Stufenheck (11/04--)

11-16 020 4078 | MTE0103

Tie rod end



Notes

Thread Size 2  
Thread Size 1  
Length [mm]

M16x1,5  
M12x1,25  
78  
Front Axle Right  
Front Axle Left

References

97 500 799 80

Application info

C25 (07/81-07/94)

11-16 020 0041/HD | MTE0913HD

Tie rod end



Notes

Thread Size 2  
Thread Size 1  
Length [mm]

M14x1,5  
M12x1,5  
185  
Front Axle Left

reinforced version

References

98 203 400 80

Counterpart

11-16 020 0042/HD | MTE0914HD

Application info

Jumpy III (04/16--)

Spacetourer (04/16--)



## Tie rod end

11-16 020 0042/HD | MTE0914HD

### Notes

Thread Size 2	M14x1,5
Thread Size 1	M12x1,5
Length [mm]	185
reinforced version	Front Axle Right

### References

98 203 401 80

### Counterpart

11-16 020 0041/HD | MTE0913HD



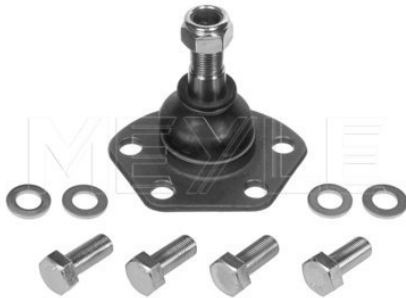
### Application info

Jumpy III [04/16--]

Spacetourer [04/16--]

11-16 010 0004 | MBJ0030

Ball joint



Notes

Thread Size

with accessories  
M18x1,5  
Lower  
Front Axle Right  
Front Axle Left

References

13 004 730 80

3640.33

Application info

Jumper I (02/94-08/02)

11-16 010 3347 | MBJ0040

Ball joint



Notes

Height [mm]  
Thread Size

37  
M14x1,5  
Lower  
Front Axle Right  
Front Axle Left

References

16 072 950 80  
3640 28  
3640 34

3640.71  
95 028 039  
96 233 739

Application info

Xantia (03/93-04/03)  
XM (05/89-10/00)

C5 I / C5 II (03/01--)

11-16 050 0035 | MBJ0046

Ball joint



Notes

Thread Size 2  
Thread Size 1

M42x1,5  
M14x1,5  
Upper  
Front Axle Right  
Front Axle Left

References

16 072 986 80  
3640.57

3640.74

Application info

C6 (09/05-12/12)

C5 III (RD\_, TD\_) (02/08--)



### Ball joint

30-16 010 0083/HD | MBJ0498HD

#### Notes

reinforced version

Front Axle Right  
Front Axle Left  
Lower

#### References

16 141 914 80	3521.L3
16 141 916 80	80 007 701 80
3520.Q2	80 007 702 80



#### Application info

C1 (06/05-09/14)

C1 II (04/14--)

### Ball joint

32-16 010 0025 | MBJ0198

#### Notes

Outer diameter [mm]

with accessories  
40  
Lower  
Front Axle Right  
Front Axle Left

#### References

3520.V0	3521.R1
3520.X9	3521.V0



#### Application info

C-Crosser (02/07--)

C4 AIRCROSS (08/10--)

### Ball joint

616 010 0006 | MBJ0272

#### Notes

Length [mm]

with accessories  
39  
Lower  
Front Axle Right  
Front Axle Left

#### References

3520.W3	3521.S6
3520Y4	3521V5



#### Application info

Nemo (02/08--)

11-16 010 0005/HD | MBJ0031HD

Ball joint



Notes

Thread Size

with accessories  
M16x1,5  
Lower  
Front Axle Right  
Front Axle Left

reinforced version

References

13 023 680 80

3640.32

Application info

Jumper I [02/94-08/02]

40-16 010 0002 | MBJ0248

Ball joint



Notes

Cone Size [mm]

with accessories  
16  
Lower  
Front Axle Right  
Front Axle Left

References

16 072 951 80  
16 072 952 80  
3640.39  
3640.42  
3640.43

96 025 445  
96 103 696  
E459704  
E459705

Application info

Berlingo I [07/96-12/11]  
ZX [03/91-07/99]

Xsara [04/97-03/10]

11-16 010 0008 | MBJ0033

Ball joint



Notes

Cone Size [mm]

with accessories  
18  
Lower  
Front Axle Right  
Front Axle Left

References

16 072 975 80  
16 072 976 80  
3640.50  
3640.51

3640.52  
E459706  
E459707

Application info

Berlingo I [07/96-12/11]  
Xsara Picasso [09/99-06/12]

Xsara [04/97-03/10]



### Ball joint

11-16 010 0011 | MBJ0034

#### Notes

Thread Size

with accessories  
M18x1,5  
Lower  
Front Axle Right  
Front Axle Left

#### References

3640.54



#### Application info

Jumper I [02/94-08/02]

Jumper II [02/02--]

### Ball joint

40-16 010 0004/HD | MBJ0249HD

#### Notes

Thread Size

with accessories  
M16x1,5  
Lower  
Front Axle Right  
Front Axle Left

reinforced version

#### References

3640.55



#### Application info

Jumper I [02/94-08/02]

Jumper II [02/02--]

### Ball joint

11-16 010 0000 | MBJ0029

#### Notes

Thread Size

M14x1,5  
Lower  
Front Axle Right  
Front Axle Left

#### References

16 072 974 80  
3640.60  
3640.68

3640.70  
3640.73



#### Application info

C4 I / Coupe / Grand Picasso / Picasso / Stufenheck [11/04--]  
DS5 [09/11-07/15]

C4 II / DS4 [02/09--]  
Berlingo II [04/08--]

11-16 010 0013 | MBJ0035

Ball joint



Notes

with accessories  
Lower  
Front Axle Right  
Front Axle Left

References

16 072 984 80	3640.61
16 072 985 80	3640.62
3640.56	3640.65
3640.59	3640.66

Application info

C3 Picasso (02/09--)  
C3 II (09/09--)  
C2 / C3 I / Pluriel (02/02--)

DS3 (11/09-12/16)  
C3 III (07/16--)

11-16 010 0018 | MBJ0038

Ball joint



Notes

Lower  
Front Axle Right  
Front Axle Left

References

3640.58	3640.72
3640.69	

Application info

C6 (09/05-12/12)

C5 III (RD\_, TD\_) (02/08--)

11-16 010 0014 | MBJ0036

Ball joint



Notes

Thread Size

with accessories  
M16x1,5  
Lower  
Front Axle Right  
Front Axle Left

References

16 109 346 80	3640.76
3640.67	

Application info

Jumper III (04/06--)





### Ball joint

11-16 010 0017 | MBJ0037

#### Notes

with accessories  
Lower  
Front Axle Right  
Front Axle Left

#### References

3640.77  
98 093 384 80

98 194 181 80  
98 194 182 80



#### Application info

C3 II (09/09--)  
C Elyse (11/12--)  
DS3 (11/09-12/16)

C4 Cactus (09/14--)  
C3 III (07/16--)  
C3 AIRCROSS II (06/17--)

### Ball joint

11-16 010 0025 | MBJ0439

#### Notes

with accessories  
Front Axle Right  
Front Axle Left

#### References

3640.78



#### Application info

DS3 (11/09-12/16)

### Ball joint

11-16 010 4087/HD | MBJ0043HD

#### Notes

Thread Size

reinforced version

#### References

7 567 284

with accessories  
M16x1,5  
Lower  
Front Axle Right  
Front Axle Left



#### Application info

C25 (07/81-07/94)

11-16 010 3356 | MBJ0041

Ball joint



Notes

Outer diameter [mm] 37  
Height [mm] 51  
Lower  
Front Axle Right  
Front Axle Left

References

16 144 392 80 96 093 233  
3640.36

Application info

AX (07/86-12/98)

Saxo (02/96-04/04)

616 010 0015 | MBJ0465

Ball joint



Notes

Thread Size M14x1,5  
Front Axle Right  
Front Axle Left  
outer

References

98 034 340 80

Parts list

616 050 0076/S | MCA1530 Control arm  
616 050 0077/S | MCA1531 Control arm

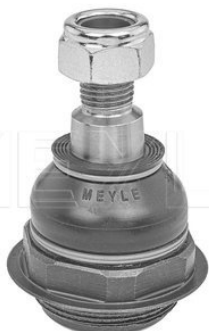
Application info

C4 II / DS4 (02/09--)  
C4 Grand Picasso II (01/13--)

C4 SPACETOURER / GRAND SPACETOURER (04/18--)  
C5 AIRCROSS (11/18--)

11-16 010 0027 | MBJ0467

Ball joint



Notes

Thread Size M14x1,5  
outer  
Lower  
Front Axle Right  
Front Axle Left

References

98 186 575 80 98 345 990 80

Application info

Jumpy III (04/16--)

Spacetourer (04/16--)



### Control arm

11-16 050 0039 | MCA0101

#### Notes

Steel  
with rubber mounting  
Control Arm  
Lower  
Front Axle Right

#### References

16 073 029 80  
3521.H1

3521.K6

#### Parts list

11-14 610 0039 | MCM0033  
214 610 0000 | MCM0042

Mount, control arm  
Mount, control arm

#### Counterpart

11-16 050 0038 | MCA0100



#### Application info

CB (06/02--)

### Control arm

11-16 050 0038 | MCA0100

#### Notes

Steel  
with rubber mounting  
Control Arm  
Lower  
Front Axle Left

#### References

16 073 030 80  
3520.P6

3521.H0

#### Parts list

11-14 610 0038 | MCM0032  
214 610 0000 | MCM0042

Mount, control arm  
Mount, control arm

#### Counterpart

11-16 050 0039 | MCA0101



#### Application info

CB (06/02--)

11-16 050 0053 | MCA0108

Control arm



Notes

Sheet Steel  
with rubber mounting  
with ball joint  
Control Arm  
Lower  
Front Axle Left

References

16 073 050 80  
3520 Q9

3520.R7  
3520.W5

Parts list

11-16 010 0013 | MBJ0035  
11-14 610 0020 | MCB0131  
11-14 610 0021 | MCB0132

Ball joint  
Control arm bushing  
Control arm bushing

Counterpart

11-16 050 0052 | MCA0107

Application info

C3 Picasso [02/09--]

C3 III [07/16--]

11-16 050 0052 | MCA0107

Control arm



Notes

Sheet Steel  
with rubber mounting  
with ball joint  
Control Arm  
Lower  
Front Axle Right

References

16 073 051 80  
3521 N0

3521.N8  
3521.S8

Parts list

11-16 010 0013 | MBJ0035  
11-14 610 0020 | MCB0131  
11-14 610 0021 | MCB0132

Ball joint  
Control arm bushing  
Control arm bushing

Counterpart

11-16 050 0053 | MCA0108

Application info

C3 Picasso [02/09--]

C3 III [07/16--]



### Control arm

32-16 050 0087 | MCA1332

#### Notes

Steel  
Control Arm  
outer  
Upper  
Rear Axle Right  
Rear Axle Left

#### References

16 074 983 80

#### Parts list

32-14 710 0007 | MCB0523

Control arm bushing



#### Application info

C4 AIRCROSS [08/10--]

### Control arm

11-16 050 0084 | MCA0122

#### Notes

Cone Size [mm]

Steel  
with rubber mounting  
17  
Control Arm  
Lower  
Front Axle Left

#### References

16 075 106 80  
3520.S5

3520.W4  
3520.X0

#### Parts list

11-14 610 0034 | MCM0031

Mount, control arm

#### Counterpart

11-16 050 0083 | MCA0121



#### Application info

C8 [06/02--]

11-16 050 0083 | MCA0121

Control arm



Notes

Cone Size [mm]

Steel  
with rubber mounting  
17  
Control Arm  
Lower  
Front Axle Right

References

16 075 107 80  
3521.P6

3521.S7  
3521.T2

Parts list

11-14 610 0034 | MCM0031  
11-14 610 0039 | MCM0033

Mount, control arm  
Mount, control arm

Counterpart

11-16 050 0084 | MCA0122

Application info

C8 (06/02--)

11-16 050 0082/HD | MCA0787HD

Control arm



Notes

reinforced version

Sheet Steel  
with rubber mounting  
with ball joint  
Control Arm  
Front Axle Right  
Lower

References

16 139 914 80  
3521 Q3  
3521 Q6  
3521 Q7

3521 Q8  
3521 Q9  
3521 R0

Parts list

11-16 010 0013 | MBJ0035  
11-14 610 0043 | MCB0349  
11-14 610 0055/HD | MCB0463HD

Ball joint  
Control arm bushing  
Control arm bushing

Counterpart

11-16 050 0081/HD | MCA0786HD

Application info

C2 / C3 I / Pluriel (02/02--)



### Control arm

### 11-16 050 0081/HD | MCA0786HD

#### Notes

Sheet Steel  
with rubber mounting  
with ball joint  
Control Arm  
Front Axle Left  
Lower

reinforced version



#### References

16 139 915 80	3520.T7
3520.T2	3520.T8
3520.T5	3520.T9
3520.T6	

#### Parts list

11-16 010 0013   MBJ0035	Ball joint
11-14 610 0043   MCB0349	Control arm bushing
11-14 610 0055/HD   MCB0463HD	Control arm bushing

#### Counterpart

11-16 050 0082/HD | MCA0787HD

#### Application info

C2 / C3 I / Pluriel [02/02--]

### Control arm

### 30-16 050 0135/HD | MCA1528HD

#### Notes

Bore Ø [mm]	Steel
Width [mm]	19.1
Thread Size	291.4
Length [mm]	M12x1,25
	329.3
	for left-hand/right-hand drive vehicles
	Control Arm
	Lower
	Front Axle Left

Replace in pairs only  
reinforced version



#### References

16 141 914 80	80 007 702 80
---------------	---------------

#### Parts list

30-16 010 0083/HD   MBJ0498HD	Ball joint
30-14 610 0041   MCB0557	Control arm bushing
30-14 610 0042   MCB0558	Control arm bushing

#### Counterpart

30-16 050 0136/HD | MCA1529HD

#### Application info

C1 II [04/14--]

30-16 050 0136/HD | MCA1529HD

Control arm



Notes

Bore Ø [mm]  
Width [mm]  
Thread Size  
Length [mm]

Steel  
Aluminium  
19.1  
291.4  
M12x1,25  
329.3  
for left-hand/right-hand drive  
vehicles  
Control Arm  
Lower  
Front Axle Right

Replace in pairs only  
reinforced version

References

16 141 916 80

80 007 701 80

Parts list

30-16 010 0083/HD |  
MBJ0498HD  
30-14 610 0041 | MCB0557  
30-14 610 0042 | MCB0558

Ball joint  
Control arm bushing  
Control arm bushing

Counterpart

30-16 050 0135/HD | MCA1528HD

Application info

C1 II (04/14--)

11-16 050 0111/HD | MCA1235HD

Control arm



Notes

reinforced version

Steel  
with rubber mounting  
Control Arm  
Front Axle Right

References

16 431 893 80

98 056 073 80

Parts list

11-14 035 2376 | MCB0115  
11-14 610 0016/HD | MCB0128HD

Control arm bushing  
Control arm bushing

Counterpart

11-16 050 0110/HD | MCA1234HD

Application info

C4 II / DS4 (02/09--)





### Control arm

11-16 050 0063 | MCA0109

#### Notes

Steel  
with rubber mounting  
with ball joint  
Control Arm  
Front Axle Left



#### References

3520.80  
3520.92

94 511 355 80

#### Parts list

11-16 010 3356 | MBJ0041

Ball joint

#### Counterpart

11-16 050 0064 | MCA0110

#### Application info

AX [07/86-12/98]

Saxo [02/96-04/04]

### Control arm

11-16 050 0064 | MCA0110

#### Notes

Steel  
with rubber mounting  
with ball joint  
Control Arm  
Front Axle Right



#### References

3520.81  
3520.93

94 511 356 80

#### Parts list

11-16 010 3356 | MBJ0041

Ball joint

#### Counterpart

11-16 050 0063 | MCA0109

#### Application info

AX [07/86-12/98]

Saxo [02/96-04/04]

40-16 050 0002/HD | MCA0640HD

Control arm



Notes

Sheet Steel  
with rubber mounting  
with ball joint  
Control Arm  
Lower  
Front Axle Left

reinforced version

References

16 144 183 80	3520.H5
16 144 476 80	3520.H8
3520.A1	3520.K7
3520.A2	95 658 882
3520.A6	95 658 884
3520.F5	95 668 510
3520.F6	95 668 512
3520.F7	E455009
3520.F8	

Parts list

40-16 010 0002   MBJ0248	Ball joint
11-14 610 0012/HD   MCM0025HD	Mount, control arm
11-14 610 0015/HD   MCB0127HD	Control arm bushing

Counterpart

40-16 050 0004/HD | MCA0641HD

Application info

Berlingo I [07/96-12/11]  
ZX [03/91-07/99]

Xsara [04/97-03/10]

11-16 050 0019 | MCA0087

Control arm



Notes

Sheet Steel  
with rubber mounting  
with ball joint  
Control Arm  
Lower  
Front Axle Left

References

16 073 048 80	3520.Q0
16 073 137 80	3520.R0
16 227 103 80	3520.R1
16 227 110 80	3520.R2
3520.L3	3520.R3
3520.L4	3520.R4
3520.L9	3520.R5
3520.N1	3520.V1
3520.P9	3520.V5

Parts list

11-16 010 0013   MBJ0035	Ball joint
11-14 352 0010   MCB0121	Control arm bushing
11-14 610 0001   MCB0122	Control arm bushing

Counterpart

11-16 050 0020 | MCA0088

### Control arm

11-16 050 0019 | MCA0087

#### Application info

C2 / C3 I / Pluriel (02/02--)

### Control arm

11-16 050 0047 | MCA0104

#### Notes

Steel  
with rubber mounting  
Control Arm  
Lower  
Front Axle Left



#### References

3520.95  
3520.L0

3520.N3

#### Parts list

11-14 610 0027 | MCM0029  
11-14 610 0009 | MCB0123

Mount, control arm  
Control arm bushing

#### Counterpart

11-16 050 0014 | MCA0083

#### Application info

Jumper I (02/94-08/02)

Jumper II (02/02--)

### Control arm

11-16 050 0032 | MCA0096

#### Notes

Steel  
with rubber mounting  
Control Arm  
Lower  
Front Axle Left



#### References

16 073 014 80  
3520.96

3520.L1  
3520.N4

#### Parts list

11-14 610 0027 | MCM0029  
11-14 610 0009 | MCB0123

Mount, control arm  
Control arm bushing

#### Counterpart

11-16 050 0033 | MCA0097

#### Application info

Jumper I (02/94-08/02)

Jumper II (02/02--)

11-16 050 0040 | MCA0102

Control arm



Notes

Steel  
with rubber mounting  
Control Arm  
Lower  
Front Axle Left

References

3520.K3

3520.P0

Parts list

11-14 610 0010 | MCB0124

11-14 610 0011 | MCB0125

Control arm bushing  
Control arm bushing

Counterpart

11-16 050 0041 | MCA0103

Application info

C5 I / C5 II (03/01--)

11-16 050 0023 | MCA0089

Control arm



Notes

Steel  
with rubber mounting  
Control Arm  
Lower  
Front Axle Left

References

16 073 117 80

3520.94

3520.C3

3520.C5

3520.G9

3520.P4

3520.P8

Parts list

214 610 0000 | MCM0042

214 610 0013 | MCM0049

Mount, control arm  
Mount, control arm

Counterpart

11-16 050 0013 | MCA0082

Application info

Evasion (03/94-10/02)

Jumpy I (06/94-12/06)



### Control arm

11-16 050 0050 | MCA0794

#### Notes

Sheet Steel  
with rubber mounting  
with ball joint  
Control Arm  
Lower  
Front Axle Left



#### References

16 073 046 80

3520.Q2

#### Parts list

30-14 610 0041 | MCB0557

Control arm bushing

30-14 610 0042 | MCB0558

Control arm bushing

#### Counterpart

11-16 050 0051 | MCA0795

#### Application info

C1 [06/05-09/14]

### Control arm

11-16 050 0068 | MCA0114

#### Notes

Cone Size [mm]

Steel  
with rubber mounting  
19  
Control Arm  
Lower  
Front Axle Left



#### References

3520.R8

3520.V8

#### Parts list

11-14 610 0034 | MCM0031

Mount, control arm

11-14 610 0038 | MCM0032

Mount, control arm

#### Counterpart

11-16 050 0067 | MCA0113

#### Application info

C8 [06/02--]

Jumpy II [01/07--]

11-16 050 0066 | MCA0112

Control arm



Notes

Steel  
with rubber mounting  
Control Arm  
Lower  
Front Axle Left

References

3520.S0

3520.S1

Parts list

11-14 610 0025 | MCB0133

Control arm bushing

11-14 610 0026 | MCB0134

Control arm bushing

Counterpart

11-16 050 0065 | MCA0111

Application info

Jumper III (04/06--)

11-16 050 0010/HD | MCA0081HD

Control arm



Notes

Steel  
with rubber mounting  
Control Arm  
Lower  
Front Axle Left

reinforced version

References

16 073 145 80

3520.P3

16 431 885 80

3520.S2

3520.K8

E455005

Parts list

11-14 610 0013/HD | MCB0126HD

Control arm bushing

11-14 610 0016/HD | MCB0128HD

Control arm bushing

Counterpart

11-16 050 0009/HD | MCA0080HD

Application info

C4 I / Coupe / Grand Picasso / Picasso / Stufenheck (11/04--)

Berlingo II (04/08--)



### Control arm

11-16 050 0072/HD | MCA0810HD

#### Notes

Steel  
with rubber mounting  
Control Arm  
Front Axle Left

reinforced version

#### References

16 431 887 80                      3520.V2

#### Parts list

11-14 610 0013/HD | MCB0126HD    Control arm bushing  
11-14 610 0016/HD | MCB0128HD    Control arm bushing

#### Counterpart

11-16 050 0071/HD | MCA0809HD



#### Application info

C4 II / DS4 [02/09--]

### Control arm

11-16 050 0048/HD | MCA0105HD

#### Notes

Steel  
with rubber mounting  
Control Arm  
Lower  
Front Axle Left

reinforced version

#### References

16 073 141 80                      3520.Q5  
3520.J3                                3520.Q8  
3520.J4                                3520.V3  
3520.K9                                3520.V4  
3520.Q3                                E455021  
3520.Q4

#### Parts list

11-14 610 0006 | MCM0024            Mount, control arm  
11-14 610 0015/HD | MCB0127HD    Control arm bushing

#### Counterpart

11-16 050 0049/HD | MCA0106HD



#### Application info

Berlingo I [07/96-12/11]

Xsara Picasso [09/99-06/12]

11-16 050 0073 | MCA0115

Control arm



Notes

Steel  
with rubber mounting  
Control Arm  
Lower  
Front Axle Left

References

3520.S9  
3520.W1

3520.W2  
96 639 808 80

Parts list

11-14 610 0040 | MCM0034  
11-14 610 0018 | MCB0130

Mount, control arm  
Control arm bushing

Counterpart

11-16 050 0074 | MCA0116

Application info

C6 [09/05-12/12]

C5 III [RD\_, TD\_] [02/08--]

11-16 050 0079/HD | MCA0784HD

Control arm



Notes

Sheet Steel  
with rubber mounting  
with ball joint  
Control Arm  
Front Axle Left  
Lower

reinforced version

References

3520.W7  
3520.W8  
3520.X1

3520.Y1  
98 032 865 80

Parts list

11-16 010 0017 | MBJ0037  
11-14 610 0043 | MCB0349  
11-14 610 0055/HD | MCB0463HD

Ball joint  
Control arm bushing  
Control arm bushing

Counterpart

11-16 050 0080/HD | MCA0785HD

Application info

C3 II [09/09--]  
DS3 [11/09-12/16]

C4 Cactus [09/14--]  
C3 III [07/16--]



**Control arm**

**11-16 050 0075 | MCA0117**

**Notes**

Steel  
with rubber mounting  
Control Arm  
Lower  
Front Axle Left



**References**

3520.X6 96 662 440 80

**Parts list**

11-14 610 0041 | MCM0035 Mount, control arm  
11-14 610 0018 | MCB0130 Control arm bushing

**Counterpart**

11-16 050 0076 | MCA0118

**Application info**

C5 III (RD\_, TD\_) (02/08--)

**Control arm**

**32-16 050 0093/HD | MCA1541HD**

**Notes**

Sheet Steel  
with rubber mounting  
with ball joint  
Control Arm  
Lower  
Front Axle Left



reinforced version

**References**

16 124 483 80 3520.X9  
3520.V0

**Parts list**

32-16 010 0025 | MBJ0198 Ball joint  
32-14 610 0000/HD | Control arm bushing  
MCB0234HD  
32-14 610 0005 | MCB0235 Control arm bushing

**Counterpart**

32-16 050 0092/HD | MCA1540HD

**Application info**

C-Crosser (02/07--)

C4 AIRCROSS (08/10--)

616 050 0029 | MCA0701

Control arm



Notes

Sheet Steel  
with rubber mounting  
with ball joint  
Control Arm  
Lower  
Front Axle Left

References

3520.W3

3520Y4

Parts list

616 010 0006 | MBJ0272

Ball joint

614 610 0007 | MCB0309

Control arm bushing

614 610 0008 | MCB0310

Control arm bushing

Counterpart

616 050 0028 | MCA0700

Application info

Nemo [02/08--]

40-16 050 0004/HD | MCA0641HD

Control arm



Notes

Sheet Steel  
with rubber mounting  
with ball joint  
Control Arm  
Lower  
Front Axle Right

reinforced version

References

16 144 184 80

3521.A8

16 144 477 80

3521.E5

3520.E8

3521.G7

3521.71

95 658 883

3521.72

95 658 885

3521.A5

95 668 511

3521.A6

E455010

3521.A7

Parts list

40-16 010 0002 | MBJ0248

Ball joint

11-14 610 0012/HD | MCM0025HD

Mount, control arm

11-14 610 0015/HD | MCB0127HD

Control arm bushing

Counterpart

40-16 050 0002/HD | MCA0640HD

Application info

Berlingo I [07/96-12/11]

ZX [03/91-07/99]

Xsara [04/97-03/10]



### Control arm

11-16 050 0020 | MCA0088

#### Notes

Sheet Steel  
with ball joint  
with rubber mounting  
Control Arm  
Lower  
Front Axle Right



#### References

16 073 049 80	3521 L1
16 073 138 80	3521 N1
16 227 106 80	3521 N2
16 227 112 80	3521 N3
3521 H5	3521 N4
3521.H6	3521 N5
3521.J1	3521 N6
3521 J2	3521.R2
3521.K8	3521 S2

#### Parts list

11-16 010 0013   MBJ0035	Ball joint
11-14 352 0010   MCB0121	Control arm bushing
11-14 610 0001   MCB0122	Control arm bushing

#### Counterpart

11-16 050 0019 | MCA0087

#### Application info

C2 / C3 I / Pluriel [02/02--]

### Control arm

11-16 050 0014 | MCA0083

#### Notes

Steel  
with rubber mounting  
Control Arm  
Lower  
Front Axle Right



#### References

3521.65	3521.J3
3521.H2	

#### Parts list

11-14 610 0027   MCM0029	Mount, control arm
11-14 610 0009   MCB0123	Control arm bushing

#### Counterpart

11-16 050 0047 | MCA0104

#### Application info

Jumper I [02/94-08/02]

Jumper II [02/02--]

11-16 050 0033 | MCA0097

Control arm



Notes

Steel  
with rubber mounting  
Control Arm  
Lower  
Front Axle Right

References

16 073 013 80  
3521.66

3521.H3  
3521.J4

Parts list

11-14 610 0027 | MCM0029  
11-14 610 0009 | MCB0123

Mount, control arm  
Control arm bushing

Counterpart

11-16 050 0032 | MCA0096

Application info

Jumper I [02/94-08/02]

Jumper II [02/02--]

11-16 050 0041 | MCA0103

Control arm



Notes

Steel  
with rubber mounting  
Control Arm  
Lower  
Front Axle Right

References

3521.G3

3521.K0

Parts list

11-14 610 0010 | MCB0124  
11-14 610 0011 | MCB0125

Control arm bushing  
Control arm bushing

Counterpart

11-16 050 0040 | MCA0102

Application info

C5 I / C5 II [03/01--]

**Control arm**

11-16 050 0013 | MCA0082

**Notes**

Steel  
with rubber mounting  
Control Arm  
Lower  
Front Axle Right

**References**

16 073 118 80	3521.C9
3521.64	3521.K4
3521.83	3521.L0
3521.85	

**Parts list**

214 610 0000   MCM0042	Mount, control arm
214 610 0014   MCM0050	Mount, control arm

**Counterpart**

11-16 050 0023 | MCA0089



**Application info**

Evasion [03/94-10/02]

Jumpy I [06/94-12/06]

**Control arm**

11-16 050 0051 | MCA0795

**Notes**

Sheet Steel  
with rubber mounting  
with ball joint  
Control Arm  
Lower  
Front Axle Right

**References**

16 073 047 80	3521.L3
---------------	---------

**Parts list**

30-14 610 0041   MCB0557	Control arm bushing
30-14 610 0042   MCB0558	Control arm bushing

**Counterpart**

11-16 050 0050 | MCA0794



**Application info**

C1 [06/05-09/14]

11-16 050 0067 | MCA0113

Control arm



Notes

Cone Size [mm]

Steel  
with rubber mounting  
19  
Control Arm  
Lower  
Front Axle Right

References

3521.N9

3521.S0

Parts list

11-14 610 0034 | MCM0031  
11-14 610 0039 | MCM0033

Mount, control arm  
Mount, control arm

Counterpart

11-16 050 0068 | MCA0114

Application info

CB [06/02--]

Jumpy II [01/07--]

11-16 050 0065 | MCA0111

Control arm



Notes

Steel  
with rubber mounting  
Control Arm  
Lower  
Front Axle Right

References

3521.P1

3521.P2

Parts list

11-14 610 0025 | MCB0133  
11-14 610 0026 | MCB0134

Control arm bushing  
Control arm bushing

Counterpart

11-16 050 0066 | MCA0112

Application info

Jumper III [04/06--]

**Control arm**

**11-16 050 0009/HD | MCA0080HD**

**Notes**

Steel  
with rubber mounting  
Control Arm  
Lower  
Front Axle Right

reinforced version

**References**

16 073 146 80	3521.K3
16 431 889 80	3521.P3
3521.G8	E455006

**Parts list**

11-14 610 0013/HD   MCB0126HD	Control arm bushing
11-14 610 0016/HD   MCB0128HD	Control arm bushing

**Counterpart**

11-16 050 0010/HD | MCA0081HD



**Application info**

C4 I / Coupe / Grand Picasso / Picasso / Stufenheck (11/04--)

Berlingo II (04/08--)

**Control arm**

**11-16 050 0071/HD | MCA0809HD**

**Notes**

Steel  
with rubber mounting  
Control Arm  
Front Axle Right

reinforced version

**References**

16 431 891 80	3521.R3
---------------	---------

**Parts list**

11-14 610 0013/HD   MCB0126HD	Control arm bushing
11-14 610 0016/HD   MCB0128HD	Control arm bushing

**Counterpart**

11-16 050 0072/HD | MCA0810HD



**Application info**

C4 II / DS4 (02/09--)

11-16 050 0049/HD | MCA0106HD

Control arm



Notes

Steel  
with rubber mounting  
Control Arm  
Lower  
Front Axle Right

reinforced version

References

16 073 142 80	3521.L6
3521.F3	3521.L9
3521.F4	3521.R4
3521.L4	3521.R5
3521.L5	E455022

Parts list

11-14 610 0006   MCM0024	Mount, control arm
11-14 610 0015/HD   MCB0127HD	Control arm bushing

Counterpart

11-16 050 0048/HD | MCA0105HD

Application info

Berlingo I (07/96-12/11)

Xsara Picasso (09/99-06/12)

11-16 050 0074 | MCA0116

Control arm



Notes

Steel  
with rubber mounting  
Control Arm  
Lower  
Front Axle Right

References

3521.Q0	3521.S5
3521.S4	

Parts list

11-14 610 0040   MCM0034	Mount, control arm
11-14 610 0018   MCB0130	Control arm bushing

Counterpart

11-16 050 0073 | MCA0115

Application info

C6 (09/05-12/12)

C5 III (RD\_, TD\_) (02/08--)



**Control arm**
**11-16 050 0080/HD | MCA0785HD**
**Notes**

Sheet Steel  
 with rubber mounting  
 with ball joint  
 Control Arm  
 Front Axle Right  
 Lower

reinforced version

**References**

3521.S9	3521.V2
3521.T0	98 032 864 80
3521.T3	

**Parts list**

11-16 010 0017   MBJ0037	Ball joint
11-14 610 0043   MCB0349	Control arm bushing
11-14 610 0055/HD   MCB0463HD	Control arm bushing

**Counterpart**

11-16 050 0079/HD | MCA0784HD


**Application info**

 C3 II (09/09--)  
 DS3 (11/09-12/16)

 C4 Cactus (09/14--)  
 C3 III (07/16--)

**Control arm**
**11-16 050 0076 | MCA0118**
**Notes**

Steel  
 with rubber mounting  
 Control Arm  
 Lower  
 Front Axle Right

**References**

3521.T7	96 662 439 80
---------	---------------

**Parts list**

11-14 610 0041   MCM0035	Mount, control arm
11-14 610 0018   MCB0130	Control arm bushing

**Counterpart**

11-16 050 0075 | MCA0117


**Application info**

C5 III (RD\_, TD\_) (02/08--)

32-16 050 0092/HD | MCA1540HD

Control arm



Notes

Sheet Steel  
with ball joint  
with rubber mounting  
Control Arm  
Lower  
Front Axle Right

reinforced version

References

16 124 484 80  
3521.R1

3521.V0

Parts list

32-16 010 0025 | MBJ0198  
32-14 610 0000/HD |  
MCB0234HD  
32-14 610 0005 | MCB0235

Ball joint  
Control arm bushing  
Control arm bushing

Counterpart

32-16 050 0093/HD | MCA1541HD

Application info

C-Crosser (02/07--)

C4 AIRCROSS (08/10--)

616 050 0028 | MCA0700

Control arm



Notes

Sheet Steel  
with rubber mounting  
with ball joint  
Control Arm  
Lower  
Front Axle Right

References

3521.S6

3521.V5

Parts list

616 010 0006 | MBJ0272  
614 610 0007 | MCB0309  
614 610 0008 | MCB0310

Ball joint  
Control arm bushing  
Control arm bushing

Counterpart

616 050 0029 | MCA0701

Application info

Nemo (02/08--)



### Control arm

11-16 050 0107 | MCA1223

#### Notes

Aluminium  
Control Arm  
outer  
Upper  
Rear Axle Left

#### References

5175.CN

#### Parts list

11-14 710 0020 | MCB0403

Control arm bushing

#### Counterpart

11-16 050 0106 | MCA1222



#### Application info

C6 [09/05-12/12]

C5 III [RD\_, TD\_] [02/08--]

### Control arm

11-16 050 0106 | MCA1222

#### Notes

Aluminium  
Control Arm  
outer  
Upper  
Rear Axle Right

#### References

5175.CP

#### Parts list

11-14 710 0020 | MCB0403

Control arm bushing

#### Counterpart

11-16 050 0107 | MCA1223



#### Application info

C6 [09/05-12/12]

C5 III [RD\_, TD\_] [02/08--]

11-16 050 3198 | MCA0125

Control arm



Notes

Length [mm]

Steel  
304  
with rubber mounting  
Control Arm  
Lower  
Front Axle Left

References

3520.51  
91 504 358

91 516 335  
91 516 336

Parts list

11-14 035 2320 | MCB0113  
11-14 352 0005 | MCB0118

Control arm bushing  
Control arm bushing

Counterpart

11-16 050 3199 | MCA0126

Application info

C15 / Visa [09/78-10/06]

11-16 050 3199 | MCA0126

Control arm



Notes

Length [mm]

Steel  
304  
with rubber mounting  
Control Arm  
Lower  
Front Axle Right

References

3521.34  
91 516 334

91 516 337

Parts list

11-14 035 2320 | MCB0113  
11-14 352 0005 | MCB0118

Control arm bushing  
Control arm bushing

Counterpart

11-16 050 3198 | MCA0125

Application info

C15 / Visa [09/78-10/06]



### Control arm

11-16 050 6980 | MCA0128

#### Notes

Steel  
with rubber mounting  
Control Arm  
Lower  
Front Axle Left



#### References

3520.78

95 658 978

#### Parts list

11-16 010 3356 | MBJ0041  
16-14 610 0009 | MCB0156

Ball joint  
Control arm bushing

#### Counterpart

11-16 050 6979 | MCA0127

#### Application info

AX [07/86-12/98]

Saxo [02/96-04/04]

### Control arm

11-16 050 6979 | MCA0127

#### Notes

Steel  
with rubber mounting  
Control Arm  
Lower  
Front Axle Right



#### References

3520.79

95 658 979

#### Parts list

11-16 010 3356 | MBJ0041  
16-14 610 0009 | MCB0156

Ball joint  
Control arm bushing

#### Counterpart

11-16 050 6980 | MCA0128

#### Application info

AX [07/86-12/98]

Saxo [02/96-04/04]

11-16 050 0036/HD | MCA0098HD

Control arm



Notes

Sheet Steel  
with rubber mounting  
with ball joint  
Control Arm  
Lower  
Front Axle Left

reinforced version

References

16 144 474 80	3520.H6
3520.F7	95 685 512
3520.F8	

Parts list

11-16 010 0008   MBJ0033	Ball joint
11-14 610 0012/HD   MCM0025HD	Mount, control arm
11-14 610 0015/HD   MCB0127HD	Control arm bushing

Counterpart

11-16 050 0037/HD | MCA0099HD

Application info

Berlingo I [07/96-12/11]  
Xsara Picasso [09/99-06/12]

Xsara [04/97-03/10]

11-16 050 0037/HD | MCA0099HD

Control arm



Notes

Sheet Steel  
with rubber mounting  
with ball joint  
Control Arm  
Lower  
Front Axle Right

reinforced version

References

16 144 475 80	3521.E6
3521.A7	95 685 513
3521.A8	

Parts list

11-16 010 0008   MBJ0033	Ball joint
11-14 610 0012/HD   MCM0025HD	Mount, control arm
11-14 610 0015/HD   MCB0127HD	Control arm bushing

Counterpart

11-16 050 0036/HD | MCA0098HD

Application info

Berlingo I [07/96-12/11]  
Xsara Picasso [09/99-06/12]

Xsara [04/97-03/10]

### Control arm

11-16 050 0102 | MCA1174

#### Notes

Sheet Steel  
with ball joint  
Control Arm  
Front Axle Right

#### References

96 750 288 80  
98 194 180 80

98 194 182 80

#### Parts list

11-16 010 0017 | MBJ0037  
11-14 610 0020 | MCB0131  
11-14 610 0021 | MCB0132

Ball joint  
Control arm bushing  
Control arm bushing

#### Counterpart

11-16 050 0103 | MCA1175



#### Application info

C Elyse [11/12--]

C3 AIRCROSS II [06/17--]

### Control arm

11-16 050 0103 | MCA1175

#### Notes

Sheet Steel  
with ball joint  
Control Arm  
Front Axle Left

#### References

96 750 318 80  
98 194 179 80

98 194 181 80

#### Parts list

11-16 010 0017 | MBJ0037  
11-14 610 0020 | MCB0131  
11-14 610 0021 | MCB0132

Ball joint  
Control arm bushing  
Control arm bushing

#### Counterpart

11-16 050 0102 | MCA1174



#### Application info

C Elyse [11/12--]

C3 AIRCROSS II [06/17--]

11-16 050 0110/HD | MCA1234HD

Control arm



Notes

reinforced version

Steel  
with rubber mounting  
Control Arm  
Front Axle Left  
Lower

References

98 056 074 80

Parts list

11-14 035 2376 | MCB0115 Control arm bushing  
11-14 610 0016/HD | MCB0128HD Control arm bushing

Counterpart

11-16 050 0111/HD | MCA1235HD

Application info

C4 II / DS4 (02/09--)

616 050 0076 | MCA1522

Control arm



Notes

Bore Ø [mm]  
Width [mm]  
Length [mm]

Steel  
14.1  
276.4  
320.4  
without ball joint  
for left-hand/right-hand drive  
vehicles  
Control Arm  
Lower  
outer  
Front Axle Right

References

98 168 654 80

Parts list

11-14 610 0037 | MCB0436 Control arm bushing  
11-14 610 0054 | MCB0459 Control arm bushing

Counterpart

616 050 0077 | MCA1523

Application info

C4 SPACETOURER / GRAND SPACETOURER (04/18--)  
Berlingo III (06/18--)

C5 AIRCROSS (11/18--)





### Control arm

616 050 0076/S | MCA1530

#### Notes

Bore Ø [mm]	Steel
Width [mm]	14.1
Thread Size	276.4
Length [mm]	M14x1,5
	380.1
	with ball joint
	for left-hand/right-hand drive
	vehicles
	Control Arm
	Lower
	outer
	Front Axle Right



#### References

98 034 340 80	98 168 654 80
---------------	---------------

#### Parts list

11-14 610 0037   MCB0436	Control arm bushing
11-14 610 0054   MCB0459	Control arm bushing

#### Counterpart

616 050 0077/S | MCA1531

#### Application info

C4 SPACETOURER / GRAND SPACETOURER (04/18--)	C5 AIRCROSS (11/18--)
--	-----------------------

### Control arm

616 050 0077 | MCA1523

#### Notes

Bore Ø [mm]	Steel
Width [mm]	14.1
Length [mm]	276.4
	320.4
	without ball joint
	for left-hand/right-hand drive
	vehicles
	Control Arm
	outer
	Lower
	Front Axle Left



#### References

98 168 655 80

#### Parts list

11-14 610 0037   MCB0436	Control arm bushing
11-14 610 0054   MCB0459	Control arm bushing

#### Counterpart

616 050 0076 | MCA1522

#### Application info

C4 SPACETOURER / GRAND SPACETOURER (04/18--)	C5 AIRCROSS (11/18--)
Berlingo III (06/18--)	

616 050 0077/S | MCA1531

Control arm



Notes

Width [mm]  
Thread Size  
Length [mm]

Steel  
276.4  
M14x1,5  
380.1  
with ball joint  
for left-hand/right-hand drive  
vehicles  
Control Arm  
Lower  
outer  
Front Axle Left

References

98 034 340 80

98 168 655 80

Parts list

11-14 610 0037 | MCB0436  
11-14 610 0054 | MCB0459

Control arm bushing  
Control arm bushing

Counterpart

616 050 0076/S | MCA1530

Application info

C4 SPACETOURER / GRAND SPACETOURER (04/18--)

C5 AIRCROSS (11/18--)

11-16 050 0030 | MCA0094

Control arm



Notes

Steel  
with rubber mounting  
Control Arm  
Lower  
Front Axle Right

References

3521.L2

Parts list

11-14 610 0032 | MCM0030  
11-14 610 0018 | MCB0130

Mount, control arm  
Control arm bushing

Counterpart

11-16 050 0031 | MCA0095

Application info

C6 (09/05-12/12)

**Control arm**

**11-16 050 0031 | MCA0095**

**Notes**

Steel  
with rubber mounting  
Control Arm  
Lower  
Front Axle Left

**References**

3520.Q1

96 502 568 80

**Parts list**

11-14 610 0032 | MCM0030

11-14 610 0018 | MCB0130

Mount, control arm

Control arm bushing

**Counterpart**

11-16 050 0030 | MCA0094



**Application info**

C6 (09/05-12/12)

**Control arm bushing**

**32-14 710 0007 | MCB0523**

**Notes**

Inner diameter [mm]  
Outer diameter [mm]  
Height [mm]

Steel Elastomer  
36.2  
35.7  
35  
inner  
outer  
Upper  
Rear Axle Right  
Rear Axle Left

**References**

16 074 983 80



**Application info**

C4 AIRCROSS (08/10--)

30-14 610 0041 | MCB0557

Control arm bushing



Notes

replacement in pairs recommended

Inner diameter [mm]	12.1
Outer diameter [mm]	34.5
Height [mm]	52.9
	Front
	Lower
	Front Axle Right
	Front Axle Left

References

16 073 046 80	3520.Q2
16 073 047 80	3521.L3
16 141 914 80	80 007 701 80
16 141 916 80	80 007 702 80

Application info

C1 [06/05-09/14]

C1 II [04/14--]

30-14 610 0042 | MCB0558

Control arm bushing



Notes

replacement in pairs recommended

Inner diameter [mm]	12.1
Outer diameter [mm]	57.4
Height [mm]	62.2
	Rear
	Lower
	Front Axle Right
	Front Axle Left

References

16 073 046 80	3520.Q2
16 073 047 80	3521.L3
16 141 914 80	80 007 701 80
16 141 916 80	80 007 702 80

Application info

C1 [06/05-09/14]

C1 II [04/14--]

**Control arm bushing**
**11-14 610 0025 | MCB0133**
**Notes**

Inner diameter [mm]	18
Outer diameter [mm]	57
Height [mm]	65
	Front
	Lower
	Front Axle Right
	Front Axle Left

**References**

3520.S0	3521.P1
3520.S1	3521.P2


**Application info**

Jumper III (04/06-- )

**Control arm bushing**
**11-14 610 0026 | MCB0134**
**Notes**

Inner diameter [mm]	19
Outer diameter [mm]	73
Height [mm]	76
	Rear
	Lower
	Front Axle Right
	Front Axle Left

**References**

3520.S0	3521.P1
3520.S1	3521.P2


**Application info**

Jumper III (04/06-- )

**Control arm bushing**
**32-14 610 0000/HD | MCB0234HD**
**Notes**

Inner diameter [mm]	14
Outer diameter [mm]	60
Height 1 [mm]	54
	Front Axle Right
	Front Axle Left
	Lower
	Rear

 Replace in pairs only  
 reinforced version

**References**

3520.V0	3521.R1
3520.X9	3521.V0



32-14 610 0000/HD | MCB0234HD

Control arm bushing

Application info

C-Crosser [02/07--]

C4 AIRCROSS [08/10--]

32-14 610 0005 | MCB0235

Control arm bushing



Notes

Inner diameter [mm]	14
Outer diameter [mm]	37
Height 1 [mm]	59
	Front
	Lower
	Front Axle Right
	Front Axle Left

References

16 127 533 80	3521.R1
3520.V0	3521.V0
3520.X9	

Application info

C-Crosser [02/07--]

C4 AIRCROSS [08/10--]

614 610 0007 | MCB0309

Control arm bushing



Notes

Inner diameter [mm]	12
Outer diameter [mm]	41
Height [mm]	67
	Lower
	Front Axle Right
	Front Axle Left

References

3520.W3	3521.S6
3520.Y4	3521.V5

Application info

Nemo [02/08--]

**Control arm bushing**
**614 610 0008 | MCB0310**
**Notes**

Inner diameter [mm]	12
Outer diameter [mm]	71
Height [mm]	66
	Lower
	Rear
	Front Axle Right
	Front Axle Left

**References**

3520.W3	3521.S6
3520Y4	3521V5


**Application info**

Nemo [02/08--]

**Control arm bushing**
**11-14 035 2320 | MCB0113**
**Notes**

Inner diameter [mm]	10
Outer diameter [mm]	28
Height [mm]	34
	inner
	Lower
	Front Axle Right
	Front Axle Left

**References**

3523.20	3523.73
---------	---------


**Application info**

C15 / Visa [09/78-10/06]

**Control arm bushing**
**11-14 610 0017 | MCB0129**
**Notes**

Inner diameter [mm]	14
Outer diameter [mm]	40
Height [mm]	28
	Lower
	Front
	Front Axle Right
	Front Axle Left

**References**

3523.43


**Application info**

XM [05/89-10/00]

11-14 610 0011 | MCB0125

Control arm bushing



Notes

Inner diameter [mm]	14
Outer diameter [mm]	40
Height [mm]	38
	Lower
	Front Axle Right
	Front Axle Left

References

3523.84

Application info

C5 I / C5 II (03/01--)

11-14 610 0016/HD | MCB0128HD

Control arm bushing



Notes

Inner diameter [mm]	14
Outer diameter [mm]	56
Height [mm]	56
	Lower
	Front
	Front Axle Right
	Front Axle Left

Replace in pairs only  
reinforced version

References

3523.91

3523.CW

Application info

C4 I / Coupe / Grand Picasso / Picasso / Stufenheck (11/04--)  
DS5 (09/11-07/15)

C4 II / DS4 (02/09--)  
Berlingo II (04/08--)

11-14 610 0013/HD | MCB0126HD

Control arm bushing



Notes

Inner diameter [mm]	14
Outer diameter [mm]	55
Height [mm]	48
	Lower
	Rear
	Front Axle Right
	Front Axle Left

Replace in pairs only  
reinforced version

References

3523.92





### Control arm bushing

11-14 610 0013/HD | MCB0126HD

#### Application info

C4 I / Coupe / Grand Picasso / Picasso / Stufenheck (11/04--)  
DS5 (09/11-07/15)

C4 II / DS4 (02/09--)  
Berlingo II (04/08--)

### Control arm bushing

11-14 610 0009 | MCB0123

#### Notes

Inner diameter [mm]	Set
Outer diameter [mm]	25
Height [mm]	47
	55
	Lower
	Front
	Front Axle Right
	Front Axle Left

#### References

3523.93



#### Application info

Jumper I (02/94-08/02)

Jumper II (02/02--)

### Control arm bushing

11-14 610 0010 | MCB0124

#### Notes

Inner diameter [mm]	18
	Lower
	Rear
	Front Axle Right
	Front Axle Left

#### References

3523.95

3523.AR



#### Application info

C5 I / C5 II (03/01--)

### Control arm bushing

11-14 610 0001 | MCB0122

#### Notes

Inner diameter [mm]	18
Outer diameter [mm]	55
Height [mm]	48
	Lower
	Front
	Front Axle Right
	Front Axle Left

#### References

3523.98



11-14 610 0001 | MCB0122

Control arm bushing

Application info

C2 / C3 I / Pluriel (02/02--)

11-14 352 0010 | MCB0121

Control arm bushing



Notes

Inner diameter [mm]	18
Outer diameter [mm]	55
Height [mm]	48
	Lower
	Rear
	Front Axle Right
	Front Axle Left

References

3523.99	3523 AT
3523.AA	

Application info

C2 / C3 I / Pluriel (02/02--)

11-14 610 0018 | MCB0130

Control arm bushing



Notes

Inner diameter [mm]	14
Outer diameter [mm]	56
Height [mm]	50
	inner
	Front
	Lower
	Front Axle Right
	Front Axle Left

References

3523.AQ

Application info

C6 (09/05-12/12)

C5 III (RD\_, TD\_) (02/08--)

11-14 610 0031 | MCB0136

Control arm bushing



Notes

Inner diameter [mm]	12
Outer diameter [mm]	32
Height [mm]	82
	outer
	Upper
	Front Axle Right
	Front Axle Left

References

3523.AZ

**Control arm bushing**
**11-14 610 0031 | MCB0136**
**Application info**

C6 (09/05-12/12)

C5 III (RD\_, TD\_) (02/08--)

**Control arm bushing**
**11-14 610 0030 | MCB0135**
**Notes**

Inner diameter [mm]	10
Outer diameter [mm]	32
Height [mm]	34
	inner
	Upper
	Front Axle Right
	Front Axle Left

**References**

3523.CA


**Application info**

C6 (09/05-12/12)

C5 III (RD\_, TD\_) (02/08--)

**Control arm bushing**
**11-14 610 0020 | MCB0131**
**Notes**

Inner diameter [mm]	14
Outer diameter [mm]	57
Height [mm]	48
	Lower
	Rear
	Front Axle Right
	Front Axle Left

**References**

3523.CC


**Application info**

C3 Picasso (02/09--)

C Elyse (11/12--)

C3 III (07/16--)

**Control arm bushing**
**11-14 610 0021 | MCB0132**
**Notes**

Inner diameter [mm]	14
Outer diameter [mm]	57
Height [mm]	48
	Lower
	Front
	Front Axle Right
	Front Axle Left

**References**

3523.CE



11-14 610 0021 | MCB0132

Control arm bushing

Application info

C3 Picasso (02/09--)  
C Elyse (11/12--)

C3 III (07/16--)

11-14 610 0043 | MCB0349

Control arm bushing



Notes

Inner diameter [mm]	18
Outer diameter [mm]	55
Height [mm]	48
	Front
	Front Axle Right
	Front Axle Left

References

3523.CN	3523 EA
3523 CZ	

Application info

C3 II (09/09--)  
C2 / C3 I / Pluriel (02/02--)  
DS3 (11/09-12/16)

C4 Cactus (09/14--)  
C3 III (07/16--)

11-14 610 0055/HD | MCB0463HD

Control arm bushing



Notes

Inner diameter [mm]	18
Outer diameter [mm]	55
Height [mm]	48
	Front Axle Right
	Front Axle Left
	Rear

Replace in pairs only  
reinforced version

References

3523.CP	3523 EE
3523 EC	

Application info

C3 II (09/09--)  
C2 / C3 I / Pluriel (02/02--)  
DS3 (11/09-12/16)

C4 Cactus (09/14--)  
C3 III (07/16--)

**Control arm bushing**
**11-14 710 0022 | MCB0404**
**Notes**

Inner diameter [mm]	15
Outer diameter [mm]	42.2
Height [mm]	40
	Rear
	Lower
	Rear Axle Right
	Rear Axle Left

**References**

5131.C3


**Application info**

 C6 (09/05-12/12)  
 C5 III (RD\_, TD\_) (02/08--)

DS5 (09/11-07/15)

**Control arm bushing**
**11-14 710 0020 | MCB0403**
**Notes**

Inner diameter [mm]	12
Outer diameter [mm]	34
Height [mm]	45
	Upper
	Rear Axle Right
	Rear Axle Left

**References**

5131.E0


**Application info**

C6 (09/05-12/12)

C5 III (RD\_, TD\_) (02/08--)

**Control arm bushing**
**11-14 352 0005 | MCB0118**
**Notes**

Inner diameter [mm]	12
Outer diameter [mm]	36
Height [mm]	26
	outer
	Lower
	Front Axle Right
	Front Axle Left

**References**

3523.49

91 515 653


**Application info**

C15 / Visa (09/78-10/06)

16-14 610 0009 | MCB0156

Control arm bushing



Notes

Inner diameter [mm]	12
Outer diameter [mm]	34
Height [mm]	48
	Lower
	Front
	Front Axle Right
	Front Axle Left

References

3523.50	95 603 308
3523.66	96 113 432

Application info

AX [07/86-12/98]

Saxo [02/96-04/04]

11-14 610 0015/HD | MCB0127HD

Control arm bushing



Notes

Inner diameter [mm]	12
Outer diameter [mm]	33
Height [mm]	31
	Lower
	Front
	Front Axle Right
	Front Axle Left

Replace in pairs only  
reinforced version

References

96 110 483	96 111 043
------------	------------

Application info

Berlingo I [07/96-12/11]  
ZX [03/91-07/99]

Xsara Picasso [09/99-06/12]  
Xsara [04/97-03/10]

11-14 610 0037 | MCB0436

Control arm bushing



Notes

Inner diameter [mm]	14
Outer diameter [mm]	43
Height [mm]	59.5
	Front
	Lower
	Front Axle Right
	Front Axle Left

References

96 760 321 80

Application info

C4 II / DS4 [02/09--]

C4 Grand Picasso II [01/13--]



214 610 0000 | MCM0042

Mount, control arm



Notes

Rubber-Metal Mount  
Lower  
Front  
Front Axle Right  
Front Axle Left

References

13 123 170 80	3521.64
16 073 029 80	3521.83
16 073 030 80	3521.85
3520.94	3521.C9
3520.C3	3521.H0
3520.C5	3521.H1
3520.G9	3521.K4
3520.P4	3521.K6
3520.P6	3521.L0
3520.P8	

Application info

Evasion [03/94-10/02]  
Jumpy I [06/94-12/06]

CB [06/02--]

214 610 0013 | MCM0049

Mount, control arm



Notes

Lower  
Rear  
Front Axle Left

References

3520.94	3520.G9
3520.C3	3520.P4
3520.C5	3520.P8

Counterpart

214 610 0014 | MCM0050

Application info

Evasion [03/94-10/02]

Jumpy I [06/94-12/06]

11-14 610 0034 | MCM0031

Mount, control arm



Notes

Inner diameter [mm] 23  
Thread Size M14x1,5  
with rubber mounting  
Front  
Front Axle Right  
Front Axle Left

References

3520.R8	3521.N9
---------	---------



**Mount, control arm**
**11-14 610 0034 | MCM0031**
**Application info**

C8 [06/02--]

Jumpy II [01/07--]

**Mount, control arm**
**11-14 610 0040 | MCM0034**
**Notes**

Inner diameter [mm]	20
Thread Size	M14x2
Thread Size	M12x1,75
	with rubber mounting
	Rear
	Lower
	Front Axle Right
	Front Axle Left

**References**

3520.S9	3521.Q0
3520.W1	3521.S4
3520.W2	3521.S5


**Application info**

C6 [09/05-12/12]

C5 III [RD\_, TD\_] [02/08--]

**Mount, control arm**
**11-14 610 0041 | MCM0035**
**Notes**

Inner diameter [mm]	20
Thread Size	M14x2
Thread Size	M12x1,75
	with rubber mounting
	Rear
	Lower
	Front Axle Right
	Front Axle Left

**References**

3520.X6	3521.T7
---------	---------


**Application info**

C5 III [RD\_, TD\_] [02/08--]

214 610 0014 | MCM0050

Mount, control arm



Notes

Lower  
Rear  
Front Axle Right

References

3521.64	3521.C9
3521.83	3521.K4
3521.85	3521.L0

Counterpart

214 610 0013 | MCM0049

Application info

Evasion [03/94-10/02]

Jumpy I [06/94-12/06]

11-14 610 0039 | MCM0033

Mount, control arm



Notes

Inner diameter [mm]	23
Thread Size	M12x1,25 with rubber mounting Rear Front Axle Right

References

3521.H1	3521.N9
3521.K6	

Counterpart

11-14 610 0038 | MCM0032

Application info

CB [06/02--]

Jumpy II [01/07--]

11-14 610 0012/HD | MCM0025HD

Mount, control arm



Notes

Inner diameter [mm]	19
Thread Size	M8x1.25 Lower Rear Front Axle Right Front Axle Left

reinforced version

References

3523.75

Application info

Berlingo I [07/96-12/11]  
ZX [03/91-07/99]

Xsara Picasso [09/99-06/12]  
Xsara [04/97-03/10]



### Mount, control arm

11-14 610 0004 | MCM0022

#### Notes

Inner diameter [mm]	18
	Lower
	Rear
	Front Axle Left

#### References

3523.81

#### Counterpart

11-14 610 0005 | MCM0023



#### Application info

Xantia [03/93-04/03]

### Mount, control arm

11-14 610 0005 | MCM0023

#### Notes

Inner diameter [mm]	18
	Lower
	Rear
	Front Axle Right

#### References

3523.82

#### Counterpart

11-14 610 0004 | MCM0022



#### Application info

Xantia [03/93-04/03]

### Mount, control arm

11-14 610 0006 | MCM0024

#### Notes

Inner diameter [mm]	19
Height [mm]	42
	Lower
	Rear
	Front Axle Right
	Front Axle Left

#### References

3523.83



#### Application info

Berlingo I [07/96-12/11]

Xsara Picasso [09/99-06/12]

11-14 610 0027 | MCM0029

Mount, control arm



Notes

Inner diameter [mm] 34  
Lower  
Rear  
Front Axle Right  
Front Axle Left

References

3523.94 3523.AP

Application info

Jumper I [02/94-08/02]

Jumper II [02/02--]

11-14 610 0033 | MCM0116

Mount, control arm



Notes

Inner diameter [mm] 12  
Outer diameter [mm] 40  
Height [mm] 38  
outer  
Front  
Lower  
Front Axle Right  
Front Axle Left

References

3656.04 3657.04

Application info

C6 [09/05-12/12]

C5 III [RD\_, TD\_] [02/08--]

11-16 010 0031 | MAX0150

Repair kit, ball joint



Notes

Thread Size 2 with mounting tools  
Thread Size 1 M42x1,5  
M14x1,5  
Lower  
outer  
Front Axle Right  
Front Axle Left

References

16 072 986 80 3640.74  
3640.57

Parts list

11-16 050 0035 | MBJ0046 Ball joint

Application info

C6 [09/05-12/12]

C5 III [RD\_, TD\_] [02/08--]



### Repair kit, ball joint

11-16 010 0018/S | MCX0428

#### Notes

without ball joint  
Lower  
Front Axle Right  
Front Axle Left

#### References

3640.58                      3640.72  
3640.69

#### Parts list

11-16 010 0018 | MBJ0038                      Ball joint



#### Application info

C6 (09/05-12/12)

C5 III (RD\_, TD\_) (02/08--)

### Repair kit, ball joint

11-16 010 0019 | MCX0189

#### Notes

outer  
Lower  
Front Axle Left  
Front Axle Right

#### References

3640.57                      3640.72  
3640.69                      3640.74

#### Parts list

11-16 050 0035 | MBJ0046                      Ball joint  
11-16 010 0018/S | MCX0428                      Repair kit, ball joint



#### Application info

C6 (09/05-12/12)

C5 III (RD\_, TD\_) (02/08--)

### Repair kit, ball joint

11-16 010 0032 | MAX0151

#### Notes

with mounting tools  
Lower  
outer  
Front Axle Right  
Front Axle Left

#### References

3640.57                      3640.72  
3640.69                      3640.74

#### Parts list

11-16 010 0019 | MCX0189                      Repair kit, ball joint



#### Application info

C6 (09/05-12/12)

C5 III (RD\_, TD\_) (02/08--)

11-16 010 0030 | MAX0148

Repair kit, ball joint



Notes

Thread Size

with mounting tools  
M14x1,5  
Lower  
outer  
Front Axle Right  
Front Axle Left

References

98 186 575 80

98 345 990 80

Parts list

11-16 010 0027 | MBJ0467

Ball joint

Application info

Jumpy III (04/16--)

Spacetourer (04/16--)

32-16 035 0002 | MSR0152

Rod/strut, suspension



Notes

Length [mm]

Guide Rod  
248  
Rear Axle Right  
Rear Axle Left

References

16 074 987 80

16 099 134 80

16 127 547 80

Application info

C4 AIRCROSS (08/10--)



### Rod/strut, suspension

11-16 035 0000/HD | MSR0149HD

#### Notes

Bore Ø 1 [mm]	12.5
Bore Ø 2 [mm]	14.5
	Guide Rod
	Aluminium
Bore Ø 1 / Bore Ø 2 [mm]	12,5 / 14,5
Length [mm]	392.4
	with rubber mounting
	Lower
	Rear Axle Right
	outer



#### References

5175.CE 98 011 457 80

#### Parts list

11-14 710 0022   MCB0404	Control arm bushing
11-14 710 0029/HD   MCB0522HD	Control arm bushing

#### Counterpart

11-16 035 0001/HD | MSR0150HD

#### Application info

C6 (09/05-12/12)	DS5 (09/11-07/15)
C5 III (RD_, TD_) (02/08--)	

### Rod/strut, suspension

11-16 035 0002 | MSR0141

#### Notes

	Guide Rod
	Sheet Steel
Length [mm]	440
	with rubber mounting
	Lower
	Rear
	Rear Axle Right
	Rear Axle Left



#### References

5175.CF

#### Application info

C6 (09/05-12/12)	C5 III (RD_, TD_) (02/08--)
------------------	-----------------------------

32-16 035 0001 | MSR0139

Rod/strut, suspension



Notes

Length [mm]

Guide Rod  
Sheet Steel  
316  
with rubber mounting  
Rear Axle Right  
Rear Axle Left

References

5175.EH

Application info

C-Crosser (02/07--)

11-16 035 0001/HD | MSR0150HD

Rod/strut, suspension



Notes

Bore Ø 1 [mm]  
Bore Ø 2 [mm]

Bore Ø 1 / Bore Ø 2 [mm]  
Length [mm]

12.5  
14.5  
Guide Rod  
Aluminium  
12,5 / 14,5  
392.4  
with rubber mounting  
Lower  
Rear Axle Left  
outer

References

5175.CC

98 011 458 80

Parts list

11-14 710 0022 | MCB0404

Control arm bushing

Counterpart

11-16 035 0000/HD | MSR0149HD

Application info

C6 (09/05-12/12)  
C5 III (RD\_, TD\_) (02/08--)

DS5 (09/11-07/15)





### Suspension Kit

11-16 610 0005 | MCR0093

#### Notes

with rubber mounting  
with ball joint  
for control arm  
Front Axle Left  
Front Axle Right

#### References

16 072 984 80	3521.S8
16 072 985 80	3523.CC
16 073 050 80	3523.CE
16 073 051 80	3640.56
3520.Q9	3640.59
3520.R7	3640.61
3520.W5	3640.62
3521.N0	3640.65
3521.N8	3640.66

#### Parts list

11-16 010 0013   MBJ0035	Ball joint
11-14 610 0020   MCB0131	Control arm bushing
11-14 610 0021   MCB0132	Control arm bushing



#### Application info

C3 Picasso [02/09--]

### Suspension Kit

40-16 610 0000/HD | MCR0117HD

#### Notes

with rubber mounting  
with ball joint  
for control arm  
Front Axle Left  
Front Axle Right

reinforced version

#### References

3520.H5	3640.43
3521.E5	96 110 483
3523.75	

#### Parts list

40-16 010 0002   MBJ0248	Ball joint
11-14 610 0012/HD   MCM0025HD	Mount, control arm
11-14 610 0015/HD   MCB0127HD	Control arm bushing



#### Application info

Berlingo I [07/96-12/11]  
ZX [03/91-07/99]

Xsara [04/97-03/10]

11-16 610 0010 | MCR0065

Suspension Kit



Notes

with rubber mounting  
with ball joint  
for control arm  
Front Axle Right  
Front Axle Left

References

16 227 103 80	3520.V5
16 227 106 80	3521.H5
3520.L3	3521.H6
3520.L4	3521.J1
3520.L9	3521.J2
3520.N1	3521.K8
3520.P9	3521.L1
3520.Q0	3521.N1
3520.R0	3521.N2
3520.R1	3521.N3
3520.R2	3521.N4
3520.R3	3521.N5
3520.R4	3521.N6
3520.R5	3521.R2
3520.V1	3521.S2

Parts list

11-16 010 0013   MBJ0035	Ball joint
11-14 352 0010   MCB0121	Control arm bushing
11-14 610 0001   MCB0122	Control arm bushing

Application info

C2 / C3 I / Pluriel (02/02--)

11-16 610 0009 | MCR0064

Suspension Kit



Notes

with rubber mounting  
with ball joint  
for control arm  
Left  
Front Axle Right

References

3520.Q2	3521.L3
---------	---------

Parts list

30-16 010 0083/HD   MBJ0498HD	Ball joint
-------------------------------	------------

Application info

C1 (06/05-09/14)



### Suspension Kit

11-16 610 0006 | MCR0094

#### Notes

with rubber mounting  
with ball joint  
for control arm  
Front Axle Left  
Front Axle Right

#### References

16 072 984 80	3521 R0
16 072 985 80	3523.CN
3520.T2	3523.CP
3520.T5	3523 CZ
3520.T6	3523 EA
3520.T7	3523 EC
3520.T8	3523 EE
3520.T9	3640.56
3521 Q3	3640.59
3521 Q6	3640.61
3521 Q7	3640.62
3521 Q8	3640.65
3521 Q9	3640.66

#### Parts list

11-16 010 0013   MBJ0035	Ball joint
11-14 610 0043   MCB0349	Control arm bushing
11-14 610 0055/HD   MCB0463HD	Control arm bushing



#### Application info

C2 / C3 I / Pluriel (02/02--)

### Suspension Kit

11-16 610 0002 | MCR0090

#### Notes

with rubber mounting  
with ball joint  
for control arm  
Front Axle Left  
Front Axle Right

#### References

3520.W7	3523.CP
3520.W8	3523 CZ
3520.X1	3523 EA
3520.Y1	3523 EC
3521.S9	3523 EE
3521.T0	3640.77
3521.T3	98 032 864 80
3521.V2	98 032 865 80
3523.CN	

#### Parts list

11-16 010 0017   MBJ0037	Ball joint
11-14 610 0043   MCB0349	Control arm bushing
11-14 610 0055/HD   MCB0463HD	Control arm bushing



#### Application info

C3 II (09/09--)  
DS3 (11/09-12/16)

C4 Cactus (09/14--)

616 610 0005 | MCR0083

Suspension Kit



Notes

with rubber mounting  
with ball joint  
for control arm  
Front Axle Left  
Front Axle Right

References

3520.W3  
3520Y4

3521.S6  
3521.V5

Parts list

616 010 0006 | MBJ0272  
614 610 0007 | MCB0309  
614 610 0008 | MCB0310

Ball joint  
Control arm bushing  
Control arm bushing

Application info

Nemo [02/08--]

11-16 610 0004/HD | MCR0092HD

Suspension Kit



Notes

with rubber mounting  
with ball joint  
for control arm  
Front Axle Left  
Front Axle Right

reinforced version

References

16 072 975 80  
16 072 976 80  
3520.F7  
3520.F8  
3521.A7  
3521.A8  
3523.75  
3640.50

3640.51  
3640.52  
95 685 512  
95 685 513  
96 110 483  
96 111 043  
E459706  
E459707

Parts list

11-16 010 0008 | MBJ0033  
11-14 610 0012/HD | MCM0025HD  
11-14 610 0015/HD | MCB0127HD

Ball joint  
Mount, control arm  
Control arm bushing

Application info

Berlingo I [07/96-12/11]  
Xsara Picasso [09/99-06/12]

Xsara [04/97-03/10]



### Suspension Kit

11-14 610 0023 | MCR0020

#### Notes

Front Axle Right  
Front Axle Left

#### References

3523.94

3523.AP

#### Parts list

11-14 610 0027 | MCM0029  
11-14 610 0009 | MCB0123

Mount, control arm  
Control arm bushing



#### Application info

Jumper I [02/94-08/02]

Jumper II [02/02--]

### Suspension Kit

11-16 610 0001 | MCR0089

#### Notes

with rubber mounting  
with ball joint  
for control arm  
Front Axle Left  
Front Axle Right

#### References

3523.CC  
3523.CE  
3640.77

96 750 288 80  
96 750 318 80

#### Parts list

11-16 010 0017 | MBJ0037  
11-14 610 0020 | MCB0131  
11-14 610 0021 | MCB0132

Ball joint  
Control arm bushing  
Control arm bushing



#### Application info

C Elyse [11/12--]

### Mount, stabilizer

11-14 615 0013 | MSB0124

#### Notes

Stabiliser Diameter [mm]  
Required quantity

25  
2  
Front Axle Right  
Front Axle Left

#### References

1612736480

5081.N9



#### Application info

Jumper III [04/06--]

11-14 615 0036 | MSB0534

Mount, stabilizer



Notes

Inner diameter [mm]

23

with fastening clamp  
with rubber mounting

Required quantity

2

Front Axle Right  
Front Axle Left

References

5081.83

Application info

Jumper I [02/94-08/02]

Jumper II [02/02--]

11-14 615 0033 | MSB0546

Mount, stabilizer



Notes

Stabiliser Diameter [mm]

20

Inner diameter [mm]

20

Front Axle Left  
Front Axle Right

References

5081.P3

9674746280

9674746380

Application info

C3 II [09/09--]

DS3 [11/09-12/16]

C4 Cactus [09/14--]

40-14 615 0001 | MSB0545

Mount, stabilizer



Notes

Inner diameter [mm]

22

Front Axle Left  
Front Axle Right

References

5081.P4

5081.P4S

96 853 159 80

Application info

DS3 [11/09-12/16]

**Mount, stabilizer**
**11-14 615 0010 | MSB0122**
**Notes**

 Inner diameter [mm]                      19  
 Front Axle Right  
 Front Axle Left

**References**

5094.56


**Application info**

AX [07/86-12/98]

Saxo [02/96-04/04]

**Mount, stabilizer**
**11-14 615 0005 | MSB0117**
**Notes**

 Inner diameter [mm]                      19  
 outer  
 Front Axle Right  
 Front Axle Left

**References**

5094.59


**Application info**

AX [07/86-12/98]

Saxo [02/96-04/04]

**Mount, stabilizer**
**11-14 615 0003 | MSB0115**
**Notes**

 Inner diameter [mm]                      21  
 Front Axle Right  
 Front Axle Left

**References**

5094.65


**Application info**

 Berlingo I [07/96-12/11]  
 ZX [03/91-07/99]  
 Xsara Picasso [09/99-06/12]

 Xsara [04/97-03/10]  
 Berlingo II [04/08--]

11-14 615 0022 | MSB0321

Mount, stabilizer



Notes

Inner diameter [mm]  
Required quantity

19  
2  
Front Axle Left  
Front Axle Right

References

5094.66

Application info

ZX [03/91-07/99]

Xsara [04/97-03/10]

11-14 615 0000 | MSB0112

Mount, stabilizer



Notes

Stabiliser Diameter [mm]  
Inner diameter [mm]

25  
24.8  
Front Axle Right  
Front Axle Left

References

5094.69

Application info

Evasion [03/94-10/02]

Jumpy I [06/94-12/06]

11-14 615 0017 | MSB0265

Mount, stabilizer



Notes

Stabiliser Diameter [mm]

23  
Front Axle Right  
Front Axle Left

References

5094.89

5094.E3

Application info

Berlingo I [07/96-12/11]  
C4 I / Coupe / Grand Picasso / Picasso / Stufenheck [11/04--]

C4 II / DS4 [02/09--]  
Berlingo II [04/08--]



**Mount, stabilizer**
**40-14 615 0004 | MSB0454**
**Notes**

Inner diameter [mm]	22
Required quantity	2
	Front Axle Left
	Front Axle Right

**References**

5094.90


**Application info**

C5 I / C5 II (03/01-- )

**Mount, stabilizer**
**11-14 615 0038 | MSB0377**
**Notes**

Inner diameter [mm]	18.5
Required quantity	2
	Front Axle Left
	Front Axle Right

**References**

5094.91


**Application info**

C2 / C3 I / Pluriel (02/02-- )

**Mount, stabilizer**
**40-14 615 0003 | MSB0379**
**Notes**

Inner diameter [mm]	20
Required quantity	2
	Front Axle Left
	Front Axle Right

**References**

5094.96


**Application info**

C2 / C3 I / Pluriel (02/02-- )

40-14 615 0002 | MSB0378

Mount, stabilizer



Notes

Inner diameter [mm]  
Required quantity

16  
2  
Front Axle Left  
Front Axle Right

References

5094.97

Application info

C2 / C3 I / Pluriel [02/02--]

11-14 615 0032 | MSB0387

Mount, stabilizer



Notes

Inner diameter [mm]  
Required quantity

24  
2  
Front Axle Left  
Front Axle Right

References

5094.99

Application info

C6 [09/05-12/12]

C5 III [RD\_, TD\_] [02/08--]

11-14 615 0034 | MSB0523

Mount, stabilizer



Notes

Inner diameter [mm]  
Required quantity

Set  
24.5  
2  
Front Axle Left  
Front Axle Right

References

5094.A0

Application info

C5 III [RD\_, TD\_] [02/08--]

**Mount, stabilizer**

**11-14 615 0007 | MSB0119**

**Notes**

Inner diameter [mm]                      19  
Front Axle Right  
Front Axle Left

**References**

5094.A6



**Application info**

C2 / C3 I / Pluriel (02/02--)

**Mount, stabilizer**

**11-14 615 0002 | MSB0114**

**Notes**

Inner diameter [mm]                      22  
Front Axle Right  
Front Axle Left

**References**

5094.A8



**Application info**

C1 (06/05-09/14)

**Mount, stabilizer**

**11-14 615 0031 | MSB0386**

**Notes**

Inner diameter [mm]                      18  
Required quantity                          2  
Front Axle Left  
Front Axle Right

**References**

5094.A9



**Application info**

C2 / C3 I / Pluriel (02/02--)

11-14 615 0029 | MSB0336

Mount, stabilizer



Notes

Inner diameter [mm]

23  
Front Axle Left  
Front Axle Right

References

5094.C5

Application info

C3 Picasso (02/09--)

11-14 615 0040 | MSB0496

Mount, stabilizer



Notes

Inner diameter [mm]

21.5  
Front Axle Left  
Front Axle Right

References

5094.C6

Application info

C-Crosser (02/07--)

C4 AIRCROSS (08/10--)

11-14 615 0014 | MSB0375

Mount, stabilizer



Notes

Inner diameter [mm]

22  
Front Axle Right  
Front Axle Left

References

5094.88

5094.E0

Application info

C4 I / Coupe / Grand Picasso / Picasso / Stufenheck (11/04--)

**Mount, stabilizer**
**11-14 615 0045 | MSB0392**
**Notes**

Inner diameter [mm]	22.5
Required quantity	2
	Front Axle Left
	Front Axle Right

**References**

5094.C4	5094.E2
---------	---------


**Application info**

C4 I / Coupe / Grand Picasso / Picasso / Stufenheck (11/04-- )

**Mount, stabilizer**
**11-14 615 0016 | MSB0125**
**Notes**

Stabiliser Diameter [mm]	24
	Front Axle Right
	Front Axle Left

**References**

5094.E4


**Application info**

C4 II / DS4 (02/09-- )

Berlingo II (04/08-- )

**Mount, stabilizer**
**11-14 615 0015 | MSB0264**
**Notes**

Inner diameter [mm]	21
	Front Axle Right
	Front Axle Left

**References**

5094.E5


**Application info**

Nemo (02/08-- )

11-14 615 0047 | MSB0394

Mount, stabilizer



Notes

Stabiliser Diameter [mm]  
Required quantity

24.5  
2  
Front Axle Left  
Front Axle Right

References

5094.E6

Application info

Berlingo I [07/96-12/11]

Berlingo II [04/08--]

11-14 615 0018 | MSB0266

Mount, stabilizer



Notes

Stabiliser Diameter [mm]

25  
Front Axle Right  
Front Axle Left

References

5094.E7

Application info

Berlingo I [07/96-12/11]  
DS5 [09/11-07/15]

Berlingo II [04/08--]

11-14 615 0037 | MSB0529

Mount, stabilizer



Notes

Inner diameter [mm]  
Required quantity

18  
2  
Front Axle Right  
Front Axle Left

References

5094.F1

Application info

Berlingo I [07/96-12/11]

**Mount, stabilizer**

**11-14 615 0046 | MSB0393**

**Notes**

Inner diameter [mm] 23.5  
Required quantity 2  
Front Axle Left  
Front Axle Right

**References**

5094.F2



**Application info**

DS5 (09/11-07/15)

C4 II / DS4 (02/09--)

**Mount, stabilizer**

**11-14 715 0000 | MSB0395**

**Notes**

Inner diameter [mm] 19.5  
Required quantity 2  
Rear Axle Left  
Rear Axle Right

**References**

5172.58



**Application info**

C-Crosser (02/07--)

**Mount, stabilizer**

**11-14 615 0035 | MSB0524**

**Notes**

Inner diameter [mm] 23.5  
Required quantity 2  
Front Axle Right  
Front Axle Left

**References**

5094.98



**Application info**

C5 III (RD\_, TD\_) (02/08--)

214 615 0014 | MCX0609

Repair kit, stabilizer bushing



Notes

Inner diameter [mm] 25  
with fastening material  
with clamps  
with rubber mounting  
Front Axle

References

14 401 772 80 5081.Q3  
5081.L0

Application info

Jumpy II [01/07--]

11-14 615 0013/S | MCX0185

Repair kit, stabilizer bushing



Notes

Front Axle Right  
Front Axle Left

References

1612736480 5081.N9

Parts list

11-14 615 0013 | MSB0124 Mount, stabilizer  
11-16 060 0022/S | MSL0100 Stabilizer link

Application info

Jumper III [04/06--]

11-14 615 0036/S | MCX0621

Repair kit, stabilizer bushing



Notes

Inner diameter [mm] Set  
23  
with fastening clamp  
with rubber mounting  
Front Axle Right  
Front Axle Left

References

5081.83

Parts list

11-14 615 0036 | MSB0534 Mount, stabilizer

Application info

Jumper I [02/94-08/02]

Jumper II [02/02--]





### Repair kit, stabilizer link

11-16 060 0006/S | MCX0191

#### Notes

Coupling Rod  
Front Axle Right  
Front Axle Left

#### References

5087.37



#### Application info

Jumper I [02/94-08/02]

Jumper II [02/02--]

### Stabilizer link

11-16 060 0018/HD | MSL0096HD

#### Notes

replacement in pairs recommended

Thread Size 2  
Thread Size 1  
Length [mm]

reinforced version

with spanner attachment  
Coupling Rod  
M10x1,5  
M10x1,5  
330  
Front Axle Right

#### References

16 073 288 80  
5087.55

5087.68  
98 101 593 80

#### Counterpart

11-16 060 0017/HD | MSL0095HD



#### Application info

C3 Picasso [02/09--]  
C Elyse [11/12--]  
DS3 [11/09-12/16]

C4 Cactus [09/14--]  
C3 III [07/16--]  
C3 AIRCROSS II [06/17--]

11-16 060 0034 | MSL0744

Stabilizer link



Notes

replacement in pairs recommended

Thread Size 2  
Thread Size 1  
Length [mm]

with spanner attachment  
Coupling Rod  
M10x1,5  
M10x1,5  
330  
Front Axle Right

References

16 073 268 80  
5087.55

5087.68  
98 101 593 80

Counterpart

11-16 060 0035 | MSL0745

Application info

C3 Picasso [02/09--]  
C Elyse [11/12--]  
DS3 [11/09-12/16]

C4 Cactus [09/14--]  
C3 III [07/16--]  
C3 AIRCROSS II [06/17--]

11-16 060 0017/HD | MSL0095HD

Stabilizer link



Notes

replacement in pairs recommended

Thread Size 2  
Thread Size 1  
Length [mm]

with spanner attachment  
Coupling Rod  
M10x1,5  
M10x1,5  
330  
Front Axle Left

reinforced version

References

16 073 269 80  
5087.54

5087.69  
98 101 594 80

Counterpart

11-16 060 0018/HD | MSL0096HD

Application info

C3 Picasso [02/09--]  
C Elyse [11/12--]  
DS3 [11/09-12/16]

C4 Cactus [09/14--]  
C3 III [07/16--]  
C3 AIRCROSS II [06/17--]

**Stabilizer link**
**11-16 060 0035 | MSL0745**
**Notes**

replacement in pairs recommended

 Thread Size 2  
 Thread Size 1  
 Length [mm]

 with spanner attachment  
 Coupling Rod  
 M10x1,5  
 M10x1,5  
 330  
 Front Axle Left

**References**

 16 073 269 80  
 5087.54

 5087.69  
 98 101 594 80

**Counterpart**

11-16 060 0034 | MSL0744


**Application info**

 C3 Picasso (02/09--)  
 C Elyse (11/12--)  
 DS3 (11/09-12/16)

 C4 Cactus (09/14--)  
 C3 III (07/16--)  
 C3 AIRCROSS II (06/17--)

**Stabilizer link**
**11-16 060 0037 | MSL0747**
**Notes**

replacement in pairs recommended

 Thread Size 2  
 Thread Size 1  
 Length [mm]

 with spanner attachment  
 Coupling Rod  
 M10x1,25  
 M10x1,25  
 265  
 Front Axle Right  
 Front Axle Left

**References**

16 109 303 80

5087.58


**Application info**

C-Crosser (02/07--)

C4 AIRCROSS (08/10--)

**Stabilizer link**
**11-16 060 0022/S | MSL0100**
**Notes**

replacement in pairs recommended

 Inner diameter [mm]  
 Thread Size  
 Length [mm]

 Coupling Rod  
 14  
 M12x1,25  
 115  
 Front Axle Right  
 Front Axle Left

**References**

1612736480

5081.N9



11-16 060 0022/S | MSL0100

Stabilizer link

Application info

Jumper III (04/06--)

11-16 060 0040 | MSL0750

Stabilizer link



Notes

replacement in pairs recommended

Thread Size 2  
Thread Size 1  
Length [mm]

with spanner attachment  
Coupling Rod  
M10x1,5  
M10x1,5  
300  
Front Axle Right  
Front Axle Left

References

16 073 225 80	5087.46
16 348 838 80	5087.61
5087.39	E459719
5087.42	

Application info

Berlingo I (07/96-12/11)  
ZX (03/91-07/99)

Xsara Picasso (09/99-06/12)  
Xsara (04/97-03/10)

11-16 060 5046/HD | MSL0103HD

Stabilizer link



Notes

replacement in pairs recommended

Thread Size 2  
Thread Size 1  
Length [mm]

with spanner attachment  
Coupling Rod  
M10x1,5  
M10x1,5  
300  
Front Axle Right  
Front Axle Left

reinforced version

References

16 073 247 80	5087.46
5084.38	5087.48
5087.34	5087.61
5087.38	96 152 213
5087.39	E459720
5087.42	

Application info

Berlingo I (07/96-12/11)  
Xantia (03/93-04/03)  
ZX (03/91-07/99)

Xsara Picasso (09/99-06/12)  
C5 I / C5 II (03/01--)  
Xsara (04/97-03/10)



### Stabilizer link

11-16 060 0013/HD | MSL0091HD

#### Notes

replacement in pairs recommended

Thread Size 2  
Thread Size 1  
Length [mm]

reinforced version

with spanner attachment  
Coupling Rod  
M10x1,5  
M10x1,5  
263  
Front Axle Right  
Front Axle Left



#### References

5087.51

#### Application info

C8 [06/02--]

### Stabilizer link

11-16 060 0032 | MSL0742

#### Notes

replacement in pairs recommended

Thread Size 2  
Thread Size 1  
Length [mm]

#### References

16 073 253 80

5087.51

with spanner attachment  
Coupling Rod  
M10x1,5  
M10x1,5  
263  
Front Axle Right  
Front Axle Left



#### Application info

C8 [06/02--]

### Stabilizer link

11-16 060 0015 | MSL0093

#### Notes

replacement in pairs recommended

Thread Size 2  
Thread Size 1  
Length [mm]

#### References

16 073 262 80

5087.52

Coupling Rod  
M16x1,5  
M12x1,75  
200  
Front Axle Left



#### Counterpart

11-16 060 0014 | MSL0092



11-16 060 0015 | MSL0093

Stabilizer link

Application info

C6 [09/05-12/12]

C5 III [RD\_, TD\_] [02/08--]

11-16 060 0014 | MSL0092

Stabilizer link



Notes

replacement in pairs recommended

Thread Size 2  
Thread Size 1  
Length [mm]

Coupling Rod  
M16x1,5  
M12x1,75  
200  
Front Axle Right

References

16 073 261 80

5087.53

Counterpart

11-16 060 0015 | MSL0093

Application info

C6 [09/05-12/12]

C5 III [RD\_, TD\_] [02/08--]

11-16 060 0020/HD | MSL0098HD

Stabilizer link



Notes

replacement in pairs recommended

Thread Size 2  
Thread Size 1  
Length [mm]

with spanner attachment  
Coupling Rod  
M12x1,5  
M12x1,5  
263  
Front Axle Right  
Front Axle Left

reinforced version

References

5087.56

Application info

Jumpy II [01/07--]



### Stabilizer link

11-16 060 0036 | MSL0746

#### Notes

replacement in pairs recommended

Thread Size 2  
Thread Size 1  
Length [mm]

with spanner attachment  
Coupling Rod  
M12x1,5  
M12x1,5  
263  
Front Axle Right  
Front Axle Left



#### References

16 109 305 80                      5087.56  
16 349 096 80

#### Application info

Jumpy II (01/07--)

### Stabilizer link

11-16 060 0000/HD | MSL0082HD

#### Notes

replacement in pairs recommended

Thread Size 2  
Thread Size 1  
Length [mm]

with spanner attachment  
Coupling Rod  
M10x1,5  
M10x1,5  
335  
Front Axle Right  
Front Axle Left



reinforced version

#### References

16 073 250 80                      5087.62  
16 109 302 80                      5087.64  
5087.50                                5087.77  
5087.57                                98 049 474 80

#### Application info

Berlingo I (07/96-12/11)  
C4 I / Coupe / Grand Picasso / Picasso / Stufenheck (11/04--)  
DS5 (09/11-07/15)

C4 II / DS4 (02/09--)  
Berlingo II (04/08--)

11-16 060 0028 | MSL0738

Stabilizer link



Notes

replacement in pairs recommended

Thread Size 2  
Thread Size 1  
Length [mm]

with spanner attachment  
Coupling Rod  
M10x1,5  
M10x1,5  
335  
Front Axle Right  
Front Axle Left

References

5087.57

98 049 474 80

Application info

C4 I / Coupe / Grand Picasso / Picasso / Stufenheck [11/04--]  
DS5 [09/11-07/15]

C4 II / DS4 [02/09--]  
Berlingo II [04/08--]

11-16 060 0021/HD | MSL0099HD

Stabilizer link



Notes

replacement in pairs recommended

Thread Size 2  
Thread Size 1  
Length [mm]

with spanner attachment  
Coupling Rod  
M10x1,25  
M10x1,25  
265  
Front Axle Right  
Front Axle Left

reinforced version

References

5087.58

Application info

C-Crosser [02/07--]

C4 AIRCROSS [08/10--]



**Stabilizer link**
**11-16 060 0001/HD | MSL0083HD**
**Notes**

replacement in pairs recommended

 Thread Size 2  
 Thread Size 1  
 Length [mm]

reinforced version

 with spanner attachment  
 Coupling Rod  
 M10x1,5  
 M10x1,5  
 335  
 Front Axle Right  
 Front Axle Left

**References**

16 466 219 80	5087.74
5087.45	96 288 787
5087.59	98 000 861 80
5087.66	98 088 682 80
5087.71	

**Application info**

 C3 II (09/09--)  
 C2 / C3 I / Pluriel (02/02--)  
 DS3 (11/09-12/16)

 C4 Cactus (09/14--)  
 C3 III (07/16--)

**Stabilizer link**
**11-16 060 0026 | MSL0737**
**Notes**

replacement in pairs recommended

 Thread Size 2  
 Thread Size 1  
 Length [mm]

**References**

16 073 234 80	5087.74
16 466 219 80	96 288 787
5087.45	98 000 861 80
5087.59	98 088 682 80
5087.66	E459713
5087.71	


**Application info**

 C3 II (09/09--)  
 C2 / C3 I / Pluriel (02/02--)  
 DS3 (11/09-12/16)

 C4 Cactus (09/14--)  
 C3 III (07/16--)

11-16 060 0002/HD | MSL0084HD

Stabilizer link



Notes

replacement in pairs recommended

Thread Size 2  
Thread Size 1  
Length [mm]

reinforced version

with spanner attachment  
Coupling Rod  
M12x1,5  
M12x1,5  
320  
Front Axle Right  
Front Axle Left

References

5087.43  
5087.60

96 324 274

Application info

C5 I / C5 II (03/01--)

11-16 060 0030 | MSL0740

Stabilizer link



Notes

replacement in pairs recommended

Thread Size 2  
Thread Size 1  
Length [mm]

with spanner attachment  
Coupling Rod  
M10x1,5  
M12x1,5  
320  
Front Axle Right  
Front Axle Left

References

5087.43  
5087.60

96 324 274

Application info

Xantia (03/93-04/03)

C5 I / C5 II (03/01--)



### Stabilizer link

11-16 060 0025 | MSL0736

#### Notes

replacement in pairs recommended

Thread Size 2  
Thread Size 1  
Length [mm]

with spanner attachment  
Coupling Rod  
M10x1,5  
M10x1,5  
335  
Front Axle Right  
Front Axle Left

#### References

5087.50  
5087.62

5087.64  
98 315 470 80



#### Application info

Berlingo I (07/96-12/11)  
C4 I / Coupe / Grand Picasso / Picasso / Stufenheck (11/04--)  
DS5 (09/11-07/15)

C4 II / DS4 (02/09--)  
Berlingo II (04/08--)

### Stabilizer link

216 060 0000/HD | MSL0176HD

#### Notes

replacement in pairs recommended

Thread Size 2  
Thread Size 1  
Length [mm]

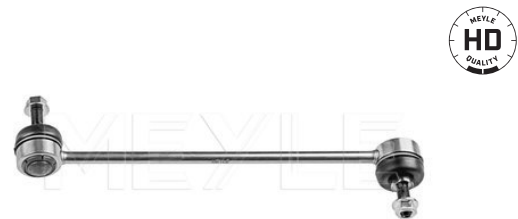
reinforced version

with spanner attachment  
Coupling Rod  
M10x1,5  
M10x1,5  
290  
Front Axle Right  
Front Axle Left

#### References

5087.65  
5087.70

5087.78  
5087.79



#### Application info

Nemo (02/08--)

216 060 0033 | MSL0773

Stabilizer link



Notes

replacement in pairs recommended

Thread Size 2  
Thread Size 1  
Length [mm]

with spanner attachment  
Coupling Rod  
M10x1,5  
M10x1,5  
290  
Front Axle Right  
Front Axle Left

References

16 109 299 80	5087.70
16 348 916 80	5087.78
5087.65	5087.79

Application info

Nemo (02/08--)

11-16 060 0047/HD | MSL1129HD

Stabilizer link



Notes

replacement in pairs recommended

Thread Size 2  
Thread Size 1  
Length [mm]

Coupling Rod  
10x1,5  
10x1,5  
240  
Front Axle Left

reinforced version

References

5087.80

Counterpart

11-16 060 0048/HD | MSL1130HD

Application info

C-Zero (10/10--)

11-16 060 0048/HD | MSL1130HD

Stabilizer link



Notes

replacement in pairs recommended

Thread Size 2  
Thread Size 1  
Length [mm]

Coupling Rod  
10x1,5  
10x1,5  
240  
Front Axle Right

References

5087.81

Counterpart

11-16 060 0047/HD | MSL1129HD

**Stabilizer link**

11-16 060 0048/HD | MSL1130HD

**Application info**

C-Zero (10/10--)

**Stabilizer link**

11-16 060 0019 | MSL0097

**Notes**

replacement in pairs recommended

Thread Size  
Length [mm]

with accessories  
Coupling Rod  
M8x1,25  
92  
Front Axle Right  
Front Axle Left



**References**

5091.10

**Application info**

C1 (06/05-09/14)

**Stabilizer link**

37-16 060 0022/HD | MSL0447HD

**Notes**

replacement in pairs recommended

Thread Size 2  
Thread Size 1  
Length [mm]

Coupling Rod  
M10x1,5  
M10x1,5  
130  
Rear Axle Right  
Rear Axle Left

reinforced version



**References**

5170.F5

5170.F6

**Application info**

Jumper III (04/06--)

37-16 060 0056 | MSL0865

Stabilizer link



Notes

replacement in pairs recommended

Thread Size 2  
Thread Size 1  
Length [mm]

Coupling Rod  
M10x1,5  
M10x1,5  
130  
Rear Axle Right  
Rear Axle Left

References

5170.F5

5170.F6

Application info

Jumper III (04/06--)

11-16 060 0016/HD | MSL0094HD

Stabilizer link



Notes

replacement in pairs recommended

Thread Size 2  
Thread Size 1  
Length [mm]

with spanner attachment  
Coupling Rod  
M10x1,5  
M10x1,5  
141  
Rear Axle Right  
Rear Axle Left

reinforced version

References

5178.46  
5178.52

98 071 300 80

Application info

C6 (09/05-12/12)

C5 III (RD\_, TD\_) (02/08--)

11-16 060 0033 | MSL0743

Stabilizer link



Notes

replacement in pairs recommended

Thread Size 2  
Thread Size 1  
Length [mm]

with spanner attachment  
Coupling Rod  
M10x1,5  
M10x1,5  
141  
Rear Axle Right  
Rear Axle Left

References

16 073 260 80  
16 349 043 80  
5178.46

5178.52  
98 071 300 80

### Stabilizer link

11-16 060 0033 | MSL0743

#### Application info

C6 (09/05-12/12)

C5 III (RD\_, TD\_) (02/08--)

### Stabilizer link

29-16 060 0004 | MSL0226

#### Notes

replacement in pairs recommended

Thread Size 2  
Thread Size 1  
Length [mm]

Coupling Rod  
M10x1,25  
M10x1,25  
80

#### References

5178.48

#### Counterpart

29-16 060 0003 | MSL0225



#### Application info

C-Crosser (02/07--)

C4 AIRCROSS (08/10--)

### Stabilizer link

29-16 060 0003 | MSL0225

#### Notes

replacement in pairs recommended

Thread Size 2  
Thread Size 1  
Length [mm]

Coupling Rod  
M10x1,25  
M10x1,25  
80

#### References

5178.49

#### Counterpart

29-16 060 0004 | MSL0226



#### Application info

C-Crosser (02/07--)

C4 AIRCROSS (08/10--)

11-16 060 5707 | MSL0104

Stabilizer link



Notes

replacement in pairs recommended

Thread Size 2  
Thread Size 1  
Length [mm]

Coupling Rod  
M10x1,5  
M10x1,5  
360  
Front Axle Right  
Front Axle Left

References

96 103 814

Application info

C15 / Visa [09/78-10/06]

11-16 060 5041/HD | MSL0102HD

Stabilizer link



Notes

replacement in pairs recommended

Thread Size 2  
Thread Size 1  
Length [mm]

with spanner attachment  
Coupling Rod  
M12x1,5  
M12x1,5  
322  
Front Axle Right  
Front Axle Left

reinforced version

References

16 073 230 80  
16 348 824 80

5087.40  
96 177 836

Application info

Saxo [02/96-04/04]

Xantia [03/93-04/03]

11-16 060 0024/HD | MSL0700HD

Stabilizer link



Notes

replacement in pairs recommended

Thread Size 2  
Thread Size 1  
Length [mm]

with spanner attachment  
Coupling Rod  
M10x1,5  
M10x1,5  
334  
Front Axle Right  
Front Axle Left

reinforced version

References

98 069 071 80

98 090 457 80



**Stabilizer link**

**11-16 060 0024/HD | MSL0700HD**

**Application info**

C4 II / DS4 (02/09--)  
Berlingo II (04/08--)  
C4 Grand Picasso II (01/13--)

C4 SPACETOURER / GRAND SPACETOURER (04/18--)  
Berlingo III (06/18--)  
C5 AIRCROSS (11/18--)

**Stabilizer link**

**11-16 060 0041/HD | MSL1020HD**

**Notes**

replacement in pairs recommended

Thread Size 2  
Thread Size 1  
Length [mm]

Coupling Rod  
M12X1,5  
M12X1,5  
355  
Front Axle Right  
Front Axle Left

reinforced version

**References**

98 090 901 80



**Application info**

Jumpy III (04/16--)

Spacetourer (04/16--)

**Axle support bushing**

**11-14 710 0025 | MAB0182**

**Notes**

Inner diameter [mm]  
Outer diameter [mm]  
Height [mm]

12  
47  
30  
Rear Axle Right  
Rear Axle Left

**References**

5131.47



**Application info**

Berlingo I (07/96-12/11)

11-14 710 0013 | MAB0080

Axle support bushing



Notes

Inner diameter [mm]	12
Outer diameter [mm]	33
Height [mm]	47
	Rear Axle Right
	Rear Axle Left

References

5131.63	5131.65
---------	---------

Application info

AX [07/86-12/98]

Saxo [02/96-04/04]

11-14 051 0001 | MAB0072

Axle support bushing



Notes

Rubber-Metal Mount  
Rear  
Rear Axle left and right

References

5131.71

Application info

ZX [03/91-07/99]

Xsara [04/97-03/10]

11-14 710 0017 | MAB0156

Axle support bushing



Notes

Inner diameter [mm]	12.5
Outer diameter [mm]	72
Height [mm]	83
	Rear Axle Right
	Rear Axle Left

References

5131.A4	5131.A5
---------	---------

Application info

C4 I / Coupe / Grand Picasso / Picasso / Stufenheck [11/04--]

**Axle support bushing**
**11-14 710 0015 | MAB0081**
**Notes**

Inner diameter [mm]	12
Outer diameter [mm]	61
Height [mm]	68
	inner
	Rear Axle Right
	Rear Axle Left

**References**

5131.C1	5131.C6
5131.C2	


**Application info**

C2 / C3 I / Pluriel (02/02-- )

**Axle support bushing**
**11-14 710 0005 | MAB0215**
**Notes**

Inner diameter [mm]	12
Outer diameter [mm]	59
Height [mm]	84.8
	Rear Axle Right
	Rear Axle Left

**References**

5131 C9


**Application info**

C1 (06/05-09/14)

C1 II (04/14-- )

**Axle support bushing**
**11-14 710 0024 | MAB0181**
**Notes**

Inner diameter [mm]	12
Outer diameter [mm]	72
Height [mm]	82.5
	Rear Axle Right
	Rear Axle Left

**References**

5131.G4


**Application info**

C4 I / Coupe / Grand Picasso / Picasso / Stufenheck (11/04-- )

C4 II / DS4 (02/09-- )

11-14 710 0019 | MAB0195

Axle support bushing



Notes

Inner diameter [mm]	14
Outer diameter [mm]	82.5
Height [mm]	78.5
	Rear Axle Right
	Rear Axle Left

References

5131.H1	96 810 170 80
---------	---------------

Application info

Berlingo II (04/08--)

11-14 710 0018 | MAB0157

Axle support bushing



Notes

Inner diameter [mm]	12
Outer diameter [mm]	72
Height [mm]	83
	Front
	Rear Axle Right
	Rear Axle Left

References

5131.H4

Application info

C3 Picasso (02/09--)  
C3 II (09/09--)  
C2 / C3 I / Pluriel (02/02--)

C Elyse (11/12--)  
DS3 (11/09-12/16)  
C4 Cactus (09/14--)

32-14 710 0005 | MAB0203

Axle support bushing



Notes

Outer diameter [mm]	70
Height [mm]	126
	Front
	Lower
	Rear Axle Right
	Rear Axle Left

References

16 118 561 80	5131.H5
5131.G0	

Application info

C-Crosser (02/07--)

C4 AIRCROSS (08/10--)



### Axle support bushing

11-14 710 0007 | MAB0076

#### Notes

Inner diameter [mm]	12
Outer diameter [mm]	47
Height [mm]	60
	Rear Axle Right
	Rear Axle Left

#### References

5152.61



#### Application info

Evasion [03/94-10/02]

Jumpy I [06/94-12/06]

### Axle support bushing

11-14 710 0026 | MAB0222

#### Notes

	Rubber-Metal Mount
Inner diameter [mm]	15
Outer diameter [mm]	54
Height [mm]	45
Required quantity	4
	Rear Axle Right
	Rear Axle Left

#### References

5152.66  
5152.67

5152.68



#### Application info

C6 [09/05-12/12]

C5 III [RD\_, TD\_] [02/08--]

### Mount, axle carrier

11-14 710 0026 | MAB0222

#### Notes

	Rubber-Metal Mount
Thickness [mm]	46
Inner diameter [mm]	15
Outer diameter [mm]	55
Required quantity	4
	Rear Axle left and right

#### References

5152.66  
5152.67

5152.68



#### Application info

C6 [09/05-12/12]

C5 III [RD\_, TD\_] [02/08--]

32-14 710 0010 | MFK0040

Repair kit, subframe



Notes

Outer diameter [mm]  
Height [mm]

with mounting tools  
70  
12  
Front  
Lower  
Rear Axle Right  
Rear Axle Left

References

16 118 561 80 5131.G0 5131.H5

Parts list

32-14 710 0005 | MAB0203 Axle support bushing

Application info

C-Crosser [02/07--]

C4 AIRCROSS [08/10--]

11-14 753 0003 | MFK0033

Repair kit, subframe



Notes

Rear Axle Right  
Rear Axle Left

References

5131.45 5132.49 5132.62 5132.65 5154.08 5154.09 5154.10 5176.17 9556384280

Application info

ZX [03/91-07/99]

Xsara [04/97-03/10]

11-14 753 0004 | MFK0034

Repair kit, subframe



Notes

Rear Axle Right  
Rear Axle Left

References

5131.64 5132.55 5133.22 5154.11 9503035580 9627434580

Application info

AX [07/86-12/98]

Saxo [02/96-04/04]



### Repair kit, subframe

11-14 753 0006 | MFK0036

#### Notes

Rear Axle Right  
Rear Axle Left

#### References

5131.64  
5132.55  
5133.22

5154.11  
9503035580  
9627434580



#### Application info

AX (07/86-12/98)

Saxo (02/96-04/04)

### Repair kit, subframe

11-14 753 0007 | MFK0035

#### Notes

Rear Axle Right  
Rear Axle Left

#### References

5131.48

5131.49



#### Application info

Berlingo I (07/96-12/11)

Xsara Picasso (09/99-06/12)

### Bushing, leaf spring

11-14 710 0001 | MCX0186

#### Notes

Inner diameter [mm]  
Outer diameter [mm]  
Length [mm]

Steel  
16  
40  
47  
Rear Axle Right  
Rear Axle Left

#### References

5131.72



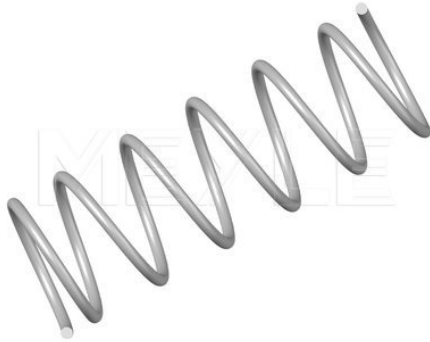
#### Application info

Jumper I (02/94-08/02)

Jumper II (02/02--)

40-14 639 0001 | MCS0321

Coil spring



Notes

replacement in pairs recommended

Required quantity

Spring Steel

2

Front Axle

Replace in pairs only

References

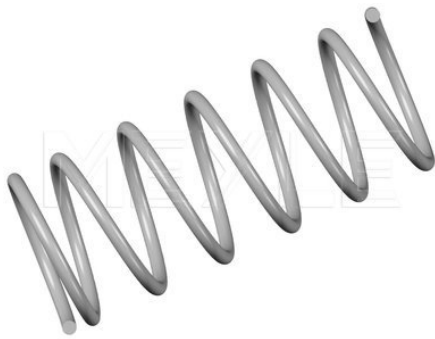
5002.35

Application info

Berlingo I [07/96-12/11]

40-14 639 0012 | MCS0332

Coil spring



Notes

replacement in pairs recommended

Required quantity

Spring Steel

2

Front Axle

Replace in pairs only

References

5002.73

5002.QH

5002.RX

Application info

Xsara [04/97-03/10]

40-14 639 0017 | MCS0337

Coil spring



Notes

replacement in pairs recommended

Required quantity

Spring Steel

2

Front Axle

Replace in pairs only

References

5002.74

Application info

Berlingo I [07/96-12/11]



**Coil spring**
**40-14 639 0009 | MCS0329**
**Notes**

replacement in pairs recommended

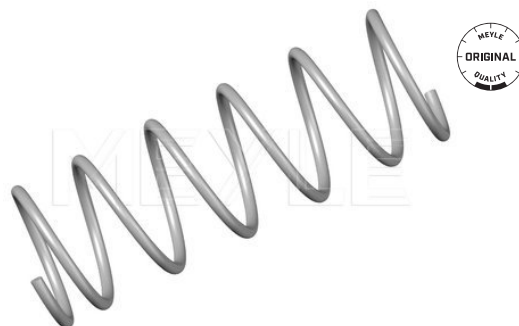
Required quantity

Replace in pairs only

 Spring Steel  
 2  
 Front Axle

**References**

5002.79


**Application info**

Berlingo I [07/96-12/11]

**Coil spring**
**40-14 639 0002 | MCS0322**
**Notes**

replacement in pairs recommended

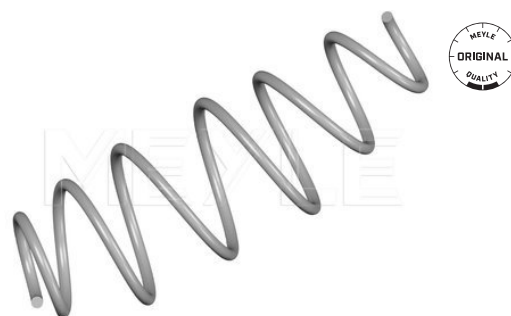
Required quantity

Replace in pairs only

 Spring Steel  
 2  
 Front Axle

**References**

5002.CE


**Application info**

C2 / C3 I / Pluriel [02/02--]

**Coil spring**
**40-14 639 0006 | MCS0326**
**Notes**

replacement in pairs recommended

Required quantity

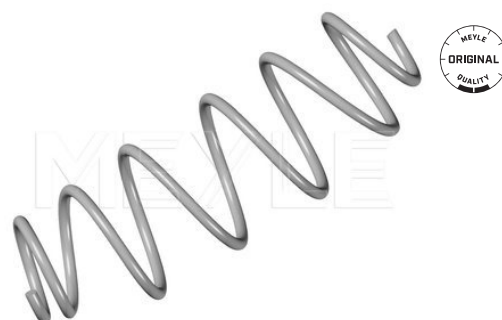
Replace in pairs only

 Spring Steel  
 2  
 for vehicles without sunroof  
 Front Axle

**References**

5002.CJ

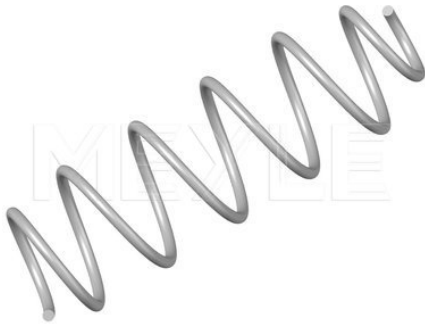
5002.LJ


**Application info**

C2 / C3 I / Pluriel [02/02--]

40-14 639 0013 | MCS0333

Coil spring



Notes

replacement in pairs recommended

Required quantity

Spring Steel

2

Front Axle

Replace in pairs only

References

5002.CR

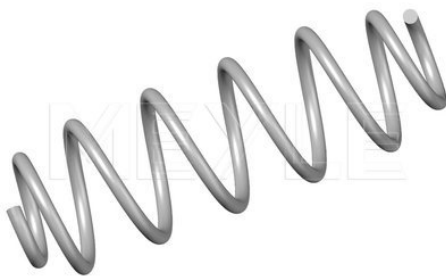
5002.LQ

Application info

C2 / C3 I / Pluriel (02/02--)

40-14 739 0000 | MCS0343

Coil spring



Notes

replacement in pairs recommended

Required quantity

Spring Steel

2

Rear Axle

Replace in pairs only

References

5002.F4

Application info

C4 I / Coupe / Grand Picasso / Picasso / Stufenheck (11/04--)

40-14 639 0000 | MCS0320

Coil spring



Notes

replacement in pairs recommended

Required quantity

Spring Steel

2

Front Axle

Replace in pairs only

References

5002.FV

Application info

C4 I / Coupe / Grand Picasso / Picasso / Stufenheck (11/04--)

**Coil spring**

**40-14 639 0018 | MCS0338**

**Notes**

replacement in pairs recommended

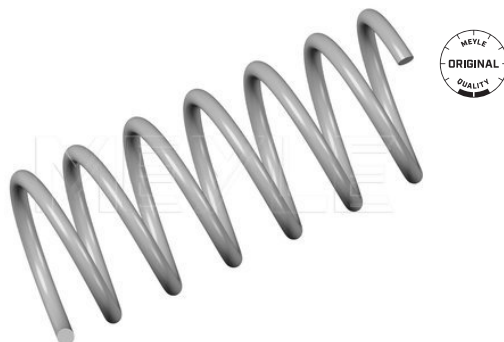
Required quantity

Replace in pairs only

Spring Steel  
2  
Front Axle

**References**

5002.J6



**Application info**

Jumper I [02/94-08/02]

**Coil spring**

**40-14 639 0008 | MCS0328**

**Notes**

replacement in pairs recommended

Required quantity

Replace in pairs only

Spring Steel  
2  
Front Axle

**References**

5002.L6



**Application info**

Saxo [02/96-04/04]

**Coil spring**

**40-14 639 0007 | MCS0327**

**Notes**

replacement in pairs recommended

Required quantity

Replace in pairs only

Spring Steel  
2  
Front Axle

**References**

5002.LY

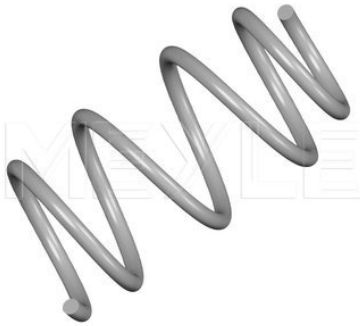


**Application info**

C2 / C3 I / Pluriel [02/02--]

40-14 639 0015 | MCS0335

Coil spring



Notes

replacement in pairs recommended

Required quantity

Spring Steel

2

Front Axle

Replace in pairs only

References

5002.NK

5002.NN

5002.NL

5002.NP

Application info

Jumper III (04/06--)

40-14 639 0005 | MCS0325

Coil spring



Notes

replacement in pairs recommended

Required quantity

Spring Steel

2

Front Axle

Replace in pairs only

References

5002.QL

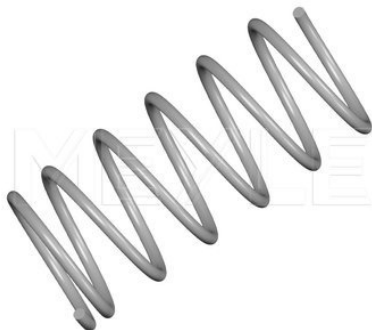
5002.X8

Application info

Xsara Picasso (09/99-06/12)

40-14 639 0020 | MCS0340

Coil spring



Notes

replacement in pairs recommended

Required quantity

Spring Steel

2

Front Axle

Replace in pairs only

References

5002.RV

Application info

Berlingo I (07/96-12/11)



### Coil spring

40-14 639 0019 | MCS0339

#### Notes

replacement in pairs recommended

Required quantity

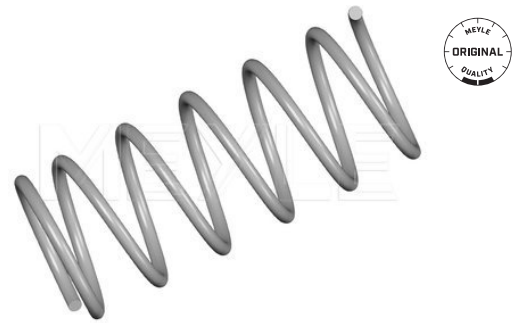
Spring Steel  
2  
Front Axle

Replace in pairs only

#### References

5002.RW

5002.S5



#### Application info

Berlingo I [07/96-12/11]

### Coil spring

40-14 639 0004 | MCS0324

#### Notes

replacement in pairs recommended

Required quantity

Spring Steel  
2  
Front Axle

Replace in pairs only

#### References

5002.S6



#### Application info

Xsara [04/97-03/10]

### Coil spring

40-14 639 0016 | MCS0336

#### Notes

replacement in pairs recommended

Required quantity

Spring Steel  
2  
for vehicles with air conditioning  
Front Axle

Replace in pairs only

#### References

5002.RZ

5002.SA



#### Application info

Berlingo I [07/96-12/11]

8

40-14 739 0001 | MCS0344

Coil spring



Notes

replacement in pairs recommended

Required quantity

Spring Steel

2

Rear Axle

Replace in pairs only

References

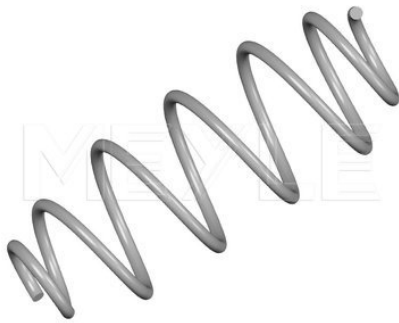
5102.G4

Application info

C2 / C3 I / Pluriel [02/02--]

40-14 739 0002 | MCS0345

Coil spring



Notes

replacement in pairs recommended

Required quantity

Spring Steel

2

Rear Axle

Replace in pairs only

References

5102.J7

Application info

C2 / C3 I / Pluriel [02/02--]

11-14 640 0000 | MSC0033

Dust cover kit, shock absorber



Notes

Set  
Front Axle

Application info

C4 I / Coupe / Grand Picasso / Picasso / Stufenheck [11/04--]  
C4 II / DS4 [02/09--]

Berlingo II [04/08--]

**Dust cover kit, shock absorber**

**11-14 640 0001 | MSC0034**

**Notes**

Set  
Front Axle

**References**

5033.23

5254.13



**Application info**

Berlingo I [07/96-12/11]  
ZX [03/91-07/99]

C15 / Visa [09/78-10/06]

**Dust cover kit, shock absorber**

**11-14 640 0004 | MSC0163**

**Notes**

Set  
Front Axle

**References**

5033.39

5254.19



**Application info**

Evasion [03/94-10/02]  
Jumpy I [06/94-12/06]

C8 [06/02--]  
Jumpy II [01/07--]

**Dust cover kit, shock absorber**

**11-14 640 0008 | MSC0259**

**Notes**

Set  
Front Axle

**References**

5033.E0

5254.37



**Application info**

C5 III (RD\_, TD\_) [02/08--]

11-14 740 0001 | MSC0141

Dust cover kit, shock absorber



Notes

Set  
Rear Axle

Application info

C4 I / Coupe / Grand Picasso / Picasso / Stufenheck (11/04--)

C4 II / DS4 (02/09--)

11-14 740 0002 | MSC0194

Dust cover kit, shock absorber



Notes

Set  
Rear Axle

Application info

C5 III (RD\_, TD\_) (02/08--)

214 640 0010 | MSC0119

Dust cover kit, shock absorber



Notes

Set  
Front Axle

References

5033.A6

5033.A9

Application info

Jumper III (04/06--)





### Dust cover kit, shock absorber

214 640 0015 | MSC0196

#### Notes

Set  
Front Axle

#### References

5033.F2

5254.47

#### Parts list

614 643 0000 | MCX0322

Dust cover/boot, strut



#### Application info

Nemo [02/08--]

### Dust cover kit, shock absorber

30-14 640 0004 | MSC0125

#### Notes

Set  
Front Axle



#### Application info

C1 [06/05-09/14]

### Dust cover kit, shock absorber

30-14 740 0001 | MSC0174

#### Notes

Set  
Rear Axle



#### Application info

C1 [06/05-09/14]

32-14 640 0002 | MSC0140

Dust cover kit, shock absorber



Notes

Set  
Front Axle

Application info

C-Crosser (02/07--)

32-14 740 0002 | MSC0206

Dust cover kit, shock absorber



Notes

Set  
Rear Axle

Application info

C-Crosser (02/07--)

C4 AIRCROSS (08/10--)

40-14 640 0000 | MSC0082

Dust cover kit, shock absorber



Notes

Set  
Front Axle

References

5033.72

5254.35

Application info

C2 / C3 I / Pluriel (02/02--)

**Dust cover kit, shock absorber**

**40-14 640 0002 | MSC0084**

**Notes**

Set  
Front Axle



**Application info**

C25 [07/81-07/94]  
Jumper I [02/94-08/02]

Jumper II [02/02--]

**Dust cover kit, shock absorber**

**40-14 640 0004 | MSC0115**

**Notes**

Set  
Front Axle

**References**

5033.42



**Application info**

Jumper I [02/94-08/02]

Jumper II [02/02--]

**Dust cover kit, shock absorber**

**40-14 640 0006 | MSC0153**

**Notes**

Set  
Front Axle



**Application info**

C3 Picasso [02/09--]  
C3 II [09/09--]

DS3 [11/09-12/16]

40-14 640 0007 | MSC0262

Dust cover kit, shock absorber



Notes

Set  
Front Axle

Application info

C4 II / DS4 (02/09--)

C4 Grand Picasso II (01/13--)

614 643 0000 | MCX0322

Dust cover/boot, strut



Notes

replacement in pairs recommended

Diameter [mm]	80
Diameter [mm]	66
Height [mm]	205
Required quantity	2
	Front Axle

References

5254.47

Application info

Nemo (02/08--)

11-14 641 1002/S | MCX0570

Repair kit, strut mount



Notes

Set  
with ball bearing  
Front Axle Left

References

5031.71	5038.74
5038.42	

Parts list

11-14 641 1001   MSM0251	Strut mount
11-14 641 0004   MMB0008	Strut mount bearing

Counterpart

11-14 641 1001/S | MCX0569

Application info

Jumper I (02/94-08/02)

### Repair kit, strut mount

11-14 641 0031 | MCX0571

**Notes**

with rolling bearing  
Front Axle Right

**References**

5031.78                      5038.C9  
5038.89                      5038.E2  
5038.A3

**Parts list**

11-14 641 0014 | MSM0085                      Strut mount  
11-14 641 0004 | MMB0008                      Strut mount bearing

**Counterpart**

11-14 641 0030 | MCX0568



**Application info**

Jumper II [02/02--]

Jumper III [04/06--]

### Repair kit, strut mount

11-14 641 0030 | MCX0568

**Notes**

with rolling bearing  
Front Axle Left

**References**

5031.79                      5038.A4  
5038.87                      5038.E3

**Parts list**

11-14 641 0013 | MSM0084                      Strut mount  
11-14 641 0004 | MMB0008                      Strut mount bearing

**Counterpart**

11-14 641 0031 | MCX0571



**Application info**

Jumper II [02/02--]

Jumper III [04/06--]

### Repair kit, strut mount

40-14 641 0002 | MCX0301

**Notes**

with ball bearing  
Front Axle

**References**

5031.80

**Parts list**

40-14 641 0000 | MSM0144                      Strut mount



40-14 641 0002 | MCX0301

Repair kit, strut mount

Application info

C2 / C3 I / Pluriel (02/02--)

40-14 641 0009 | MCX0470

Repair kit, strut mount



Notes

with ball bearing  
Front Axle

References

5031.96  
5035.27

5038.F5

Application info

C2 / C3 I / Pluriel (02/02--)

11-14 641 1001/S | MCX0569

Repair kit, strut mount



Notes

Set  
with ball bearing  
Front Axle Right

References

5038.41

5038.72

Parts list

11-14 641 1001 | MSM0251  
11-14 641 0004 | MMB0008

Strut mount  
Strut mount bearing

Counterpart

11-14 641 1002/S | MCX0570

Application info

Jumper I (02/94-08/02)

Jumper II (02/02--)



### Repair kit, strut mount

40-14 641 0012 | MCX0664

#### Notes

with rolling bearing  
Front Axle

#### References

5038.F6



#### Application info

C1 [06/05-09/14]

C1 II [04/14--]

### Repair kit, strut mount

11-14 641 0021 | MCX0607

#### Notes

with rolling bearing  
Front Axle

#### References

5038.G4

9813916080

#### Parts list

214 770 0001 | MMB0014

Strut mount bearing



#### Application info

C4 II / DS4 [02/09--]

### Repair kit, strut mount

11-14 641 0025 | MCX0572

#### Notes

Rubber-Metal Mount  
with rolling bearing  
Front Axle

#### References

5038.G6

9683738980

5038.H4

98 113 705 80

9670830780

#### Parts list

11-14 641 0022 | MSM0217

Strut mount

214 770 0001 | MMB0014

Strut mount bearing



#### Application info

C3 Picasso [02/09--]

DS3 [11/09-12/16]

C3 II [09/09--]

C4 Cactus [09/14--]

C Elyse [11/12--]

11-14 641 1003/S | MCX0656

Repair kit, strut mount



Notes

Set  
Rubber-Metal Mount  
with fastening material  
with ball bearing  
Front Axle left and right

References

9800479780  
9800480380

9817592480

Application info

C4 II / DS4 [02/09--]

C4 Grand Picasso II [01/13--]

40-14 742 0002 | MRS0156

Rubber stop, suspension



Notes

replacement in pairs recommen-  
ded

Height [mm]

140

Required quantity

2

Rear Axle

References

5166.51

Application info

Jumper I [02/94-08/02]

11-14 742 0000 | MRS0094

Rubber stop, suspension



Notes

replacement in pairs recommen-  
ded

Height [mm]

83

Required quantity

2

Rear Axle

References

5166.63

Application info

Xsara Picasso [09/99-06/12]





### Rubber stop, suspension

40-14 742 0001 | MRS0155

#### Notes

replacement in pairs recommended

Height [mm] 64  
Required quantity 2  
Rear Axle

#### References

5166.66



#### Application info

C5 I / C5 II (03/01--)

### Rubber stop, suspension

11-14 742 0002 | MRS0096

#### Notes

replacement in pairs recommended

Height [mm] 94  
Required quantity 2  
Rear Axle

#### References

5166.73



#### Application info

Berlingo I (07/96-12/11)

### Rubber stop, suspension

11-14 742 0004 | MRS0218

#### Notes

replacement in pairs recommended

Height [mm] 150  
Rear Axle

#### References

5166.88



#### Application info

Jumper III (04/06--)

8

40-14 742 0003 | MRS0157

Rubber stop, suspension



Notes

replacement in pairs recommended

Height [mm]	78
Required quantity	2
	Rear Axle

References

5166.67	5166.94
---------	---------

Application info

C2 / C3 I / Pluriel (02/02--)

11-14 742 0001 | MRS0095

Rubber stop, suspension



Notes

replacement in pairs recommended

Height [mm]	85
Required quantity	2
	Rear Axle

References

5166.68	5166.95
---------	---------

Application info

C2 / C3 I / Pluriel (02/02--)

214 742 0012 | MRS0217

Rubber stop, suspension



Notes

replacement in pairs recommended

Height [mm]	220
	Rear Axle

References

5166.A4

Application info

Nemo (02/08--)



### Shock absorber

40-26 623 0028 | MSA0806

#### Notes

Article number of recommended accessories 40-14 640 0007  
 Article number of recommended accessories replacement in pairs recommended 11-14 641 1003/S

Top pin  
 Suspension Strut  
 Gas Pressure  
 Twin-Tube  
 Front Axle

#### References

1610179780	16 285 642 80
1610179880	16 285 643 80
1611448780	98 106 837 80
1612743580	98 109 204 80
1612744480	



#### Application info

C4 II / DS4 [02/09--]

C4 Grand Picasso II [01/13--]

### Shock absorber

40-26 623 0002 | MSA0411

#### Notes

Article number of recommended accessories 40-14 640 0000  
 Article number of recommended accessories replacement in pairs recommended 40-14 641 0009

Top pin  
 Suspension Strut  
 Gas Pressure  
 Twin-Tube  
 Front Axle Left

#### References

5202.GW	5202.LN
5202.GY	5202.PW
5202.HE	5202.RE
5202.JZ	5202.RG
5202.KC	5202.RT
5202.KN	5202.TA
5202.KS	5202.TJ
5202.KV	5202.TW
5202.LC	5202.YH
5202.LF	5202.ZC

#### Counterpart

40-26 623 0003 | MSA0412



#### Application info

C2 / C3 I / Pluriel [02/02--]

40-26 623 0003 | MSA0412

Shock absorber



Notes

Article number of recommended accessories 40-14 640 0000  
 Article number of recommended accessories replacement in pairs recommended 40-14 641 0009  
 Top pin  
 Suspension Strut  
 Gas Pressure  
 Twin-Tube  
 Front Axle Right

References

5202.GX	5202.LP
5202.GZ	5202.PX
5202.HF	5202.RF
5202.KA	5202.RH
5202.KE	5202.RV
5202.KL	5202.SX
5202.KP	5202.TC
5202.KT	5202.TK
5202.KW	5202.TX
5202.LE	5202.YJ
5202.LG	5202.ZE

Counterpart

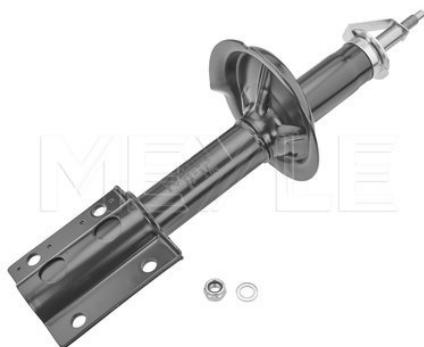
40-26 623 0002 | MSA0411

Application info

C2 / C3 I / Pluriel [02/02--]

40-26 623 0001 | MSA0410

Shock absorber



Notes

Article number of recommended accessories 40-14 640 0002  
 Article number of recommended accessories 11-14 641 1002  
 Article number of recommended accessories 11-14 641 1001  
 Article number of recommended accessories 11-14 641 1002/S  
 Article number of recommended accessories replacement in pairs recommended 11-14 641 1001/S  
 Top pin  
 Suspension Strut  
 Gas Pressure  
 Twin-Tube  
 Front Axle

References

5202.J3

Application info

Jumper I [02/94-08/02]

Jumper II [02/02--]



### Shock absorber

40-26 623 0000 | MSA0409

#### Notes

Article number of recommended accessories replacement in pairs recommended

40-14 640 0004

Top pin  
Suspension Strut  
Gas Pressure  
Twin-Tube  
Front Axle

#### References

5202.J5



#### Application info

Jumper I (02/94-08/02)

Jumper II (02/02--)

### Shock absorber

11-26 624 0001 | MSA0062

#### Notes

Article number of recommended accessories replacement in pairs recommended

40-14 640 0001

Top pin  
Suspension Strut Insert  
Gas Pressure  
Twin-Tube  
Front Axle

#### References

5202.L6



#### Application info

AX (07/86-12/98)

Saxo (02/96-04/04)

11-26 623 0008 | MSA0058

Shock absorber



Notes

Article number of recommended accessories replacement in pairs recommended

11-14 640 0001

Top pin  
Suspension Strut  
Gas Pressure  
Twin-Tube  
Front Axle Left

References

5202.EP  
5202.ER  
5202.P9

5202.Q0  
5202.T8  
5202.V6

Counterpart

11-26 623 0009 | MSA0059

Application info

Berlingo I [07/96-12/11]  
ZX [03/91-07/99]

Xsara [04/97-03/10]

40-26 623 0012 | MSA0418

Shock absorber



Notes

Article number of recommended accessories replacement in pairs recommended

11-14 640 0004

Top pin  
Suspension Strut  
Gas Pressure  
Twin-Tube  
Front Axle

References

1400519880  
5202.H4

5202.PV  
5202.VQ

Application info

Evasion [03/94-10/02]



### Shock absorber

11-26 623 0009 | MSA0059

#### Notes

Article number of recommended accessories replacement in pairs recommended

11-14 640 0001

Top pin  
Suspension Strut  
Gas Pressure  
Twin-Tube  
Front Axle Right

#### References

5202.E0  
5202.ES  
5202.Q3

5202.T9  
5202.V7

#### Counterpart

11-26 623 0008 | MSA0058



#### Application info

Berlingo I [07/96-12/11]  
ZX [03/91-07/99]

Xsara [04/97-03/10]

### Shock absorber

40-26 623 0010 | MSA0416

#### Notes

Article number of recommended accessories replacement in pairs recommended

40-14 641 0012

30-14 640 0004

Top pin  
Suspension Strut  
Gas Pressure  
Twin-Tube  
Front Axle Left

#### References

5202.SA

5202.SE

#### Counterpart

40-26 623 0011 | MSA0417



#### Application info

C1 [06/05-09/14]

C1 II [04/14--]

**40-26 623 0011 | MSA0417**

**Shock absorber**



**Notes**

Article number of recommended accessories 30-14 640 0004  
 Article number of recommended accessories replacement in pairs recommended 40-14 641 0012  
 Top pin  
 Suspension Strut  
 Gas Pressure  
 Twin-Tube  
 Front Axle Right

**References**

5202.SC 5202.SF

**Counterpart**

40-26 623 0010 | MSA0416

**Application info**

C1 [06/05-09/14]

C1 II [04/14--]

**11-26 623 0000 | MSA0053**

**Shock absorber**



**Notes**

Article number of recommended accessories replacement in pairs recommended 11-14 640 0004  
 Top pin  
 Suspension Strut  
 Gas Pressure  
 Twin-Tube  
 Front Axle

**References**

5202.K7 5202.S9  
 5202.K8 5202.TQ  
 5202.N8

**Application info**

Jumpy I [06/94-12/06]





### Shock absorber

11-26 623 0002 | MSA0054

#### Notes

Article number of recommended accessories 11-14 641 0003/S  
 Article number of recommended accessories 11-14 641 0003  
 Article number of recommended accessories replacement in pairs recommended 11-14 640 0000

Top pin  
 Suspension Strut  
 Gas Pressure  
 Twin-Tube  
 Front Axle Left

#### References

5202.LQ 5202.SJ  
 5202.QG 5202.WJ  
 5202.QJ 5202.WL  
 5202.SG

#### Counterpart

11-26 623 0003 | MSA0055



#### Application info

C4 I / Coupe / Grand Picasso / Picasso / Stufenheck (11/04--)

### Shock absorber

11-26 623 0003 | MSA0055

#### Notes

Article number of recommended accessories 11-14 641 0003  
 Article number of recommended accessories 11-14 640 0000  
 Article number of recommended accessories replacement in pairs recommended 11-14 641 0003/S

Top pin  
 Suspension Strut  
 Gas Pressure  
 Twin-Tube  
 Front Axle Right

#### References

5202.QH 5202.SK  
 5202.QK 5202.WK  
 5202.SH 5202.WN

#### Counterpart

11-26 623 0002 | MSA0054



#### Application info

C4 I / Coupe / Grand Picasso / Picasso / Stufenheck (11/04--)

**40-26 623 0019 | MSA0608**

**Shock absorber**



**Notes**

Article number of recommended accessories replacement in pairs recommended

11-14 640 0004

Top pin  
Suspension Strut  
Gas Pressure  
Twin-Tube  
Front Axle Left

**References**

5202.WP  
5202.WR  
5202.WT

5202.WW  
5208.Q2  
5208.Q4

**Counterpart**

40-26 623 0020 | MSA0609

**Application info**

Jumpy II [01/07--]

**40-26 623 0020 | MSA0609**

**Shock absorber**



**Notes**

Article number of recommended accessories replacement in pairs recommended

11-14 640 0004

Top pin  
Suspension Strut  
Gas Pressure  
Twin-Tube  
Front Axle Right

**References**

5202.WQ  
5202.WS  
5202.WV

5202.WX  
5208.Q3  
5208.Q5

**Counterpart**

40-26 623 0019 | MSA0608

**Application info**

Jumpy II [01/07--]



### Shock absorber

11-26 623 0013 | MSA0594

#### Notes

Article number of recommended accessories  
Strut outside diameter [mm]  
replacement in pairs recommended

40-14 640 0006  
51

Top pin  
Suspension Strut  
Gas Pressure  
Twin-Tube  
Front Axle Right

#### References

5202.WC	5202.YW
5202.WF	5202.YY
5202.WH	5208.C5
5202.XK	5208.C6
5202.YT	98 045 870 80

#### Counterpart

11-26 623 0012 | MSA0593



#### Application info

C3 Picasso [02/09--]

### Shock absorber

11-26 623 0012 | MSA0593

#### Notes

Article number of recommended accessories  
Strut outside diameter [mm]  
replacement in pairs recommended

40-14 640 0006  
51

Top pin  
Suspension Strut  
Gas Pressure  
Twin-Tube  
Front Axle Left

#### References

5202.VG	5202.YV
5202.VK	5202.YZ
5202.WE	5208.C4
5202.WG	5208.C7
5202.XJ	98 045 869 80

#### Counterpart

11-26 623 0013 | MSA0594

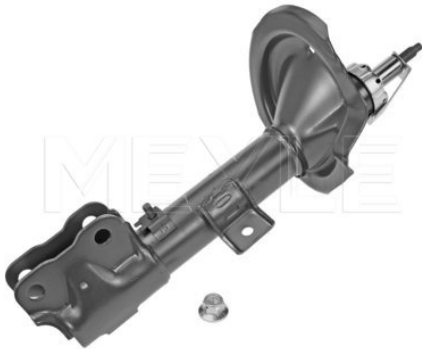


#### Application info

C3 Picasso [02/09--]

32-26 623 0003 | MSA0278

Shock absorber



Notes

Article number of recommended accessories 32-14 640 0002  
Article number of recommended accessories replacement in pairs recommended 11-14 641 0034

Top pin  
Suspension Strut  
Gas Pressure  
Twin-Tube  
Front Axle Left

References

5202.ZP 5208.S0

Counterpart

32-26 623 0004 | MSA0279

Application info

C-Crosser [02/07--]

32-26 623 0004 | MSA0279

Shock absorber



Notes

Article number of recommended accessories 32-14 640 0002  
Article number of recommended accessories replacement in pairs recommended 11-14 641 0034

Top pin  
Suspension Strut  
Gas Pressure  
Twin-Tube  
Front Axle Right

References

5202.ZR 5208.S1

Counterpart

32-26 623 0003 | MSA0278

Application info

C-Crosser [02/07--]

**Shock absorber**
**40-26 623 0017 | MSA0652**
**Notes**

Article number of recommended accessories	11-14 641 0003
Article number of recommended accessories	11-14 640 0000
Article number of recommended accessories replacement in pairs recommended	11-14 641 0003/S
	Top pin
	Suspension Strut
	Gas Pressure
	Twin-Tube
	Front Axle Left


**References**

5202.XT	5202.ZS
5202.XW	5202.ZV

**Counterpart**

40-26 623 0018 | MSA0653

**Application info**

C4 I / Coupe / Grand Picasso / Picasso / Stufenheck (11/04--)

**Shock absorber**
**40-26 623 0018 | MSA0653**
**Notes**

Article number of recommended accessories	11-14 640 0000
Article number of recommended accessories	11-14 641 0003
Article number of recommended accessories replacement in pairs recommended	11-14 641 0003/S
	Top pin
	Suspension Strut
	Gas Pressure
	Twin-Tube
	Front Axle Right


**References**

5202.XV	5202.ZT
5202.XX	5202.ZW

**Counterpart**

40-26 623 0017 | MSA0652

**Application info**

C4 I / Coupe / Grand Picasso / Picasso / Stufenheck (11/04--)

11-26 715 0006 | MSA0064

Shock absorber



Notes

replacement in pairs recommended

Bottom eye  
Top eye  
Telescopic Shock Absorber  
Oil Pressure  
Twin-Tube  
Rear Axle

References

5206.69

5206.S6

Application info

Xsara Picasso [09/99-06/12]

11-26 725 0011 | MSA0071

Shock absorber



Notes

replacement in pairs recommended

Bottom eye  
Top eye  
Telescopic Shock Absorber  
Gas Pressure  
Twin-Tube  
Rear Axle

References

5206.97

5206.L7

5206.L8

5206.L9

96 083 765

Application info

ZX [03/91-07/99]

Xsara [04/97-03/10]

40-26 725 0008 | MSA0431

Shock absorber



Notes

Article number of recommended accessories  
replacement in pairs recommended

30-14 740 0001

Bottom eye  
Top pin  
Telescopic Shock Absorber  
Gas Pressure  
Twin-Tube  
Rear Axle

References

5206.EE

**Shock absorber**

**40-26 725 0008 | MSA0431**

**Application info**

C1 [06/05-09/14]

C1 II [04/14--]

**Shock absorber**

**40-26 725 0003 | MSA0426**

**Notes**

Article number of recommended accessories  
Article number of recommended accessories replacement in pairs recommended

11-14 740 0001

11-14 741 0001

Top pin  
Bottom eye  
Telescopic Shock Absorber  
Gas Pressure  
Twin-Tube  
Rear Axle



**References**

5206.CH  
5206.CS

5206.EK

**Application info**

C4 I / Coupe / Grand Picasso / Picasso / Stufenheck [11/04--]

**Shock absorber**

**11-26 725 0007 | MSA0068**

**Notes**

replacement in pairs recommended

Bottom eye  
Top eye  
Telescopic Shock Absorber  
Gas Pressure  
Twin-Tube  
Rear Axle



**References**

5206.F5  
5206.F8  
5206.G3  
96 032 731  
96 032 733

96 056 928  
96 116 051  
96 137 825  
97 522 021  
97 536 063

**Application info**

AX [07/86-12/98]

Saxo [02/96-04/04]

11-26 725 0012 | MSA0072

Shock absorber



Notes

replacement in pairs recommended

Bottom eye  
Top eye  
Telescopic Shock Absorber  
Gas Pressure  
Twin-Tube  
Rear Axle

References

5206.H1  
5206.H2  
5206.N7  
5206.SX

5206.TA  
5206.TQ  
5206.V2

Application info

Berlingo I (07/96-12/11)

40-26 725 0000 | MSA0423

Shock absorber



Notes

replacement in pairs recommended

Bottom eye  
Top eye  
Telescopic Shock Absorber  
Gas Pressure  
Twin-Tube  
Rear Axle

References

5206.J2

Application info

Jumper I (02/94-08/02)

Jumper II (02/02--)

32-26 725 0003 | MSA0284

Shock absorber



Notes

Article number of recommended accessories  
replacement in pairs recommended

32-14 740 0002

Bottom eye  
Top pin  
Telescopic Shock Absorber  
Gas Pressure  
Twin-Tube  
Rear Axle

References

5206.LC



**Shock absorber**

**32-26 725 0003 | MSA0284**

**Application info**

C-Crosser [02/07--]

**Shock absorber**

**40-26 725 0007 | MSA0430**

**Notes**

replacement in pairs recommended

Bottom eye  
Top eye  
Telescopic Shock Absorber  
Gas Pressure  
Twin-Tube  
Rear Axle

**References**

5206.PR



**Application info**

Nemo [02/08--]

**Shock absorber**

**40-26 725 0001 | MSA0424**

**Notes**

replacement in pairs recommended

Bottom eye  
Top eye  
Telescopic Shock Absorber  
Gas Pressure  
Twin-Tube  
Rear Axle

**References**

5206.C5  
5206.Q0

5206.Q1



**Application info**

Jumper I [02/94-08/02]

Jumper II [02/02--]

40-26 725 0006 | MSA0429

Shock absorber



Notes

replacement in pairs recommended

Bottom eye  
Top eye  
Telescopic Shock Absorber  
Gas Pressure  
Twin-Tube  
Rear Axle

References

16 233 141 80  
5206.P1

5206.R4

Application info

Evasion (03/94-10/02)

40-26 725 0010 | MSA0696

Shock absorber



Notes

replacement in pairs recommended

Bottom eye  
Top eye  
Telescopic Shock Absorber  
Gas Pressure  
Twin-Tube  
Rear Axle

References

5206.HR  
5206.HT  
5206.HZ  
5206.NC  
5206.PW  
5206.PX

5206.QY  
5206.QZ  
5206.RC  
5206.RE  
9807784280

Application info

C4 I / Coupe / Grand Picasso / Picasso / Stufenheck (11/04--)

DS5 (09/11-07/15)

11-26 715 0000 | MSA0063

Shock absorber



Notes

replacement in pairs recommended

Bottom eye  
Top eye  
Telescopic Shock Absorber  
Gas Pressure  
Twin-Tube  
Rear Axle

References

5206.N9  
5206.R2

5206.TH

**Shock absorber**

**11-26 715 0000 | MSA0063**

**Application info**

Jumpy I (06/94-12/06)

**Shock absorber**

**226 725 0013 | MSA0698**

**Notes**

replacement in pairs recommended

Length 2 [mm]  
Length 1 [mm]

Bottom eye  
Top eye  
Telescopic Shock Absorber  
Gas Pressure  
Twin-Tube  
444  
293  
Rear Axle

**References**

16 136 847 80	5206.PA
5206.JL	5206.PE
5206.JN	5206.PF
5206.KJ	5206.PG
5206.KK	5206.TR
5206.KN	5206.TT
5206.KZ	5206.TX
5206.LA	5206.TY
5206.LS	5206.VC
5206.LV	5206.VF
5206.LW	5206.VG
5206.NA	5206.VH
5206.NZ	



**Application info**

Jumper III (04/06--)

**Shock absorber**

**40-26 725 0011 | MSA0589**

**Notes**

replacement in pairs recommended

**References**

5206.FX	5206.QW
5206.FZ	5206.VE
5206.GA	5206.VQ
5206.GC	5206.VR

Bottom eye  
Top eye  
Telescopic Shock Absorber  
Gas Pressure  
Twin-Tube  
Rear Axle



**Application info**

Jumpy II (01/07--)

**226 725 0012 | MSA0701**

**Shock absorber**



**Notes**

replacement in pairs recommended

Length 2 [mm]  
Length 1 [mm]

Bottom eye  
Top eye  
Telescopic Shock Absorber  
Gas Pressure  
Twin-Tube  
476  
315  
Rear Axle

**References**

5206.KG	5206.TS
5206.KH	5206.TW
5206.LT	5206.VA
5206.LX	5206.VS
5206.LY	5206.VT

**Application info**

Jumper III (04/06--)

**40-26 725 0002 | MSA0425**

**Shock absorber**



**Notes**

replacement in pairs recommended

**References**

5206.AN	5206.Z5
5206.X7	5206.Z7

Bottom eye  
Top eye  
Telescopic Shock Absorber  
Gas Pressure  
Twin-Tube  
Rear Axle

**Application info**

C2 / C3 I / Pluriel (02/02--)



### Shock absorber

40-26 725 0009 | MSA0641

#### Notes

replacement in pairs recommended

Bottom eye  
Top eye  
Telescopic Shock Absorber  
Gas Pressure  
Twin-Tube  
Rear Axle

#### References

5206.QH	5206.QP
5206.QJ	5206.QQ
5206.QK	5206.QR
5206.QL	5206.YQ
5206.QN	5206.YR



#### Application info

Berlingo I [07/96-12/11]

Berlingo II [04/08--]

### Shock absorber

40-26 725 0012 | MSA0717

#### Notes

replacement in pairs recommended

Bottom eye  
Top eye  
Telescopic Shock Absorber  
Gas Pressure  
Twin-Tube  
Rear Axle

#### References

5206.VV	5206.YX
5206.VW	



#### Application info

C3 II [09/09--]

DS3 [11/09-12/16]

40-26 725 0014 | MSA0781

Shock absorber



Notes

Article number of recommended accessories 11-14 740 0001  
 Article number of recommended accessories 11-14 741 0002  
 replacement in pairs recommended

Bottom eye  
 Top pin  
 Telescopic Shock Absorber  
 Gas Pressure  
 Twin-Tube  
 Rear Axle

References

5206.ZH 5206.ZK  
 5206.ZJ

Application info

C4 II / DS4 (02/09--)

40-26 623 0015 | MSA0421

Shock absorber



Notes

Article number of recommended accessories 11-14 641 0003  
 Article number of recommended accessories 11-14 640 0000  
 Article number of recommended accessories 11-14 641 0003/S  
 replacement in pairs recommended

Top pin  
 Suspension Strut  
 Gas Pressure  
 Twin-Tube  
 Front Axle Left

References

5208.81 5208.83

Counterpart

40-26 623 0016 | MSA0422

Application info

Berlingo II (04/08--)



### Shock absorber

40-26 623 0016 | MSA0422

#### Notes

Article number of recommended accessories 11-14 641 0003/S  
 Article number of recommended accessories 11-14 641 0003  
 Article number of recommended accessories replacement in pairs recommended 11-14 640 0000

Top pin  
 Suspension Strut  
 Gas Pressure  
 Twin-Tube  
 Front Axle Right

#### References

5208.82 5208.84

#### Counterpart

40-26 623 0015 | MSA0421



#### Application info

Berlingo II (04/08--)

### Shock absorber

40-26 623 0013 | MSA0419

#### Notes

Article number of recommended accessories 40-14 641 0007  
 Article number of recommended accessories replacement in pairs recommended 214 640 0015

Top pin  
 Suspension Strut  
 Gas Pressure  
 Twin-Tube  
 Front Axle Left

#### References

5208.52 5208.F4

#### Counterpart

40-26 623 0014 | MSA0420



#### Application info

Nemo (02/08--)

40-26 623 0022 | MSA0720

Shock absorber



Notes

Article number of recommended accessories 11-14 641 0025  
 Article number of recommended accessories 11-14 641 0022  
 Article number of recommended accessories 40-14 640 0006  
 Strut outside diameter [mm] replacement in pairs recommended 47  
 Top pin  
 Suspension Strut  
 Gas Pressure  
 Twin-Tube  
 Front Axle Left

References

5208.F6 98 097 132 80  
 5208.F8 98 097 134 80

Counterpart

40-26 623 0023 | MSA0721

Application info

C3 II [09/09--]  
 DS5 [09/11-07/15]

C4 Cactus [09/14--]

40-26 623 0023 | MSA0721

Shock absorber



Notes

Article number of recommended accessories 11-14 641 0022  
 Article number of recommended accessories 11-14 641 0025  
 Article number of recommended accessories 40-14 640 0006  
 Strut outside diameter [mm] replacement in pairs recommended 47  
 Top pin  
 Suspension Strut  
 Gas Pressure  
 Twin-Tube  
 Front Axle Right

References

5208.F7 5208.F9

Counterpart

40-26 623 0022 | MSA0720

Application info

C3 II [09/09--]  
 DS5 [09/11-07/15]

C4 Cactus [09/14--]



### Shock absorber

40-26 623 0024 | MSA0727

#### Notes

Article number of recommended accessories  
Strut outside diameter [mm]  
replacement in pairs recommended

40-14 640 0006  
51

Top pin  
Suspension Strut  
Gas Pressure  
Twin-Tube  
Front Axle Left

#### References

5208.G0 5208.H1

#### Counterpart

40-26 623 0025 | MSA0728



#### Application info

C3 II (09/09--)

DS3 (11/09-12/16)

### Shock absorber

40-26 623 0025 | MSA0728

#### Notes

Article number of recommended accessories  
Strut outside diameter [mm]  
replacement in pairs recommended

40-14 640 0006  
51

Top pin  
Suspension Strut  
Gas Pressure  
Twin-Tube  
Front Axle Right

#### References

5208.G1 5208.H2

#### Counterpart

40-26 623 0024 | MSA0727



#### Application info

C3 II (09/09--)

DS3 (11/09-12/16)

226 623 0017 | MSA0707

Shock absorber



Notes

Article number of recommended accessories	214 640 0010
Article number of recommended accessories	11-14 641 0015
Article number of recommended accessories	11-14 641 0016
Strut outside diameter [mm]	28
replacement in pairs recommended	
	Top pin
	Suspension Strut
	Gas Pressure
	Twin-Tube
	Front Axle

References

5202.ZK	5208.L4
5202.ZL	5208.L5
5208.56	

Application info

Jumper III (04/06--)

226 623 0018 | MSA0708

Shock absorber



Notes

Article number of recommended accessories	11-14 641 0015
Article number of recommended accessories	214 640 0010
Article number of recommended accessories	11-14 641 0016
Strut outside diameter [mm]	25
replacement in pairs recommended	
	Top pin
	Suspension Strut
	Gas Pressure
	Twin-Tube
	Front Axle

References

5202.XG	5208.54
5202.XH	5208.L2
5202.ZH	5208.L3
5202.ZJ	5208.L6
5208.53	

Application info

Jumper III (04/06--)

### Shock absorber

**40-26 623 0014 | MSA0420**

#### Notes

Article number of recommended accessories 214 640 0015  
 Article number of recommended accessories replacement in pairs recommended 40-14 641 0008  
 Top pin  
 Suspension Strut  
 Gas Pressure  
 Twin-Tube  
 Front Axle Right

#### References

5208.51 5208.T5

#### Counterpart

40-26 623 0013 | MSA0419



#### Application info

Nemo [02/08--]

### Shock absorber

**40-26 623 0026 | MSA0802**

#### Notes

Article number of recommended accessories 11-14 640 0000  
 Article number of recommended accessories replacement in pairs recommended 11-14 641 0021  
 Top pin  
 Suspension Strut  
 Gas Pressure  
 Twin-Tube  
 Front Axle Left

#### References

5208.T7 5208.V7  
 5208.V5

#### Counterpart

40-26 623 0027 | MSA0803



#### Application info

C4 II / DS4 [02/09--]

**40-26 623 0027 | MSA0803**

**Shock absorber**



**Notes**

Article number of recommended accessories 11-14 640 0000  
 Article number of recommended accessories replacement in pairs recommended 11-14 641 0021  
 Top pin  
 Suspension Strut  
 Gas Pressure  
 Twin-Tube  
 Front Axle Right

**References**

5208.T8 5208.V8  
 5208.V6

**Counterpart**

40-26 623 0026 | MSA0802

**Application info**

C4 II / DS4 [02/09--]

**11-26 613 0013 | MSA0892**

**Shock absorber**



**Notes**

Article number of recommended accessories replacement in pairs recommended 11-14 640 0001  
 Top pin  
 Suspension Strut  
 Oil Pressure  
 Twin-Tube  
 Front Axle

**References**

91516880 9455304219

**Application info**

C15 / Visa [09/78-10/06]

**Shock absorber**
**40-26 725 0015 | MSA0790**
**Notes**

replacement in pairs recommended

 Bottom eye  
 Top pin  
 Telescopic Shock Absorber  
 Gas Pressure  
 Twin-Tube  
 Rear Axle

**References**

 98 060 831 80  
 98 072 594 80

 98 081 826 80  
 98 081 827 80

**Application info**

 C4 II / DS4 (02/09--)  
 C4 Grand Picasso II (01/13--)

C5 AIRCROSS (11/18--)

**Shock absorber**
**40-26 725 0017 | MSA0939**
**Notes**

replacement in pairs recommended

 Bottom eye  
 Top eye  
 Telescopic Shock Absorber  
 Gas Pressure  
 Twin-Tube  
 Rear Axle

**References**

98 165 098 80

98 165 101 80


**Application info**

Jumpy III (04/16--)

Spacetourer (04/16--)

**Shock absorber**
**40-26 623 0029 | MSA0912**
**Notes**

 Article number of recommended accessories  
 replacement in pairs recommended

11-14 641 0032

 Top pin  
 Suspension Strut  
 Gas Pressure  
 Twin-Tube  
 Front Axle

**References**

98 21 596 680



40-26 623 0029 | MSA0912

Shock absorber

Application info

Jumpy III (04/16--)

Spacetourer (04/16--)

11-26 623 0018 | MSA0807

Shock absorber



Notes

Article number of recommended accessories replacement in pairs recommended

11-14 640 0000

Top pin  
Suspension Strut  
Gas Pressure  
Twin-Tube  
Front Axle Left

References

5208.E6  
5208.E8  
5208.G2

5208.W7  
98 005 489 80

Counterpart

11-26 623 0019 | MSA0808

Application info

C4 II / DS4 (02/09--)

11-26 623 0019 | MSA0808

Shock absorber



Notes

Article number of recommended accessories replacement in pairs recommended

11-14 640 0000

Top pin  
Suspension Strut  
Gas Pressure  
Twin-Tube  
Front Axle Right

References

5208.E7  
5208.E9  
5208.G3

5208.W8  
98 005 490 80

Counterpart

11-26 623 0018 | MSA0807

Application info

C4 II / DS4 (02/09--)



### Shock absorber

11-26 725 0002 | MSA0709

#### Notes

Article number of recommended accessories replacement in pairs recommended

11-14 740 0002

Bottom eye  
Top pin  
Spring-bearing Damper  
Gas Pressure  
Twin-Tube  
with protective cap/bellow  
Rear Axle



#### Application info

C5 III (RD\_, TD\_) [02/08--]

### Shock absorber

11-26 725 0016 | MSA0928

#### Notes

replacement in pairs recommended

Bottom eye  
Top eye  
Telescopic Shock Absorber  
Gas Pressure  
Twin-Tube  
Rear Axle



#### Application info

C3 AIRCROSS II [06/17--]

### Shock absorber

11-26 725 0020 | MSA0779

#### Notes

Article number of recommended accessories replacement in pairs recommended

11-14 740 0001

Bottom eye  
Top pin  
Telescopic Shock Absorber  
Gas Pressure  
Twin-Tube  
Rear Axle



#### References

5206.ZV

5206.ZW

#### Application info

C4 II / DS4 [02/09--]

11-14 641 0016 | MSM0199

Strut mount



Notes

replacement in pairs recommended

without ball bearing  
Front Axle Right

References

16 076 909 80

5038.F4

Counterpart

11-14 641 0015 | MSM0198

Application info

Jumper II [02/02--]

Jumper III [04/06--]

11-14 641 0015 | MSM0198

Strut mount



Notes

replacement in pairs recommended

without ball bearing  
Front Axle Left

References

16 076 912 80

5038.F3

Counterpart

11-14 641 0016 | MSM0199

Application info

Jumper II [02/02--]

Jumper III [04/06--]

40-14 641 0007 | MSM0294

Strut mount



Notes

replacement in pairs recommended

with ball bearing  
Front Axle Left

References

16 092 747 80

5038.G8

16 113 139 80

5038.J7

5038.G2

Counterpart

40-14 641 0008 | MSM0295

Application info

Nemo [02/08--]



**Strut mount**

**40-14 641 0008 | MSM0295**

**Notes**

replacement in pairs recommended

with ball bearing  
Front Axle Right

**References**

16 092 746 80                    5038.G7  
16 113 137 80                    5038.J8  
5038.G3

**Counterpart**

40-14 641 0007 | MSM0294



**Application info**

Nemo (02/08--)

**Strut mount**

**214 641 0021 | MSM0308**

**Notes**

replacement in pairs recommended

Piece  
Rubber-Metal Mount  
with ball bearing  
1  
Front Axle Right

Required quantity

**References**

16 127 359 80

**Counterpart**

214 641 0020 | MSM0307



**Application info**

Jumper III (04/06--)

**Strut mount**

**214 641 0020 | MSM0307**

**Notes**

replacement in pairs recommended

Piece  
Rubber-Metal Mount  
with ball bearing  
1  
Front Axle Left

Required quantity

**References**

16 127 361 80

**Counterpart**

214 641 0021 | MSM0308



214 641 0020 | MSM0307

Strut mount

Application info

Jumper III (04/06--)

214 641 0028 | MSM0311

Strut mount



Notes

replacement in pairs recommended

Required quantity

References

161290658X

Counterpart

214 641 0029 | MSM0312

Piece  
Rubber-Metal Mount  
with ball bearing  
1  
Front Axle Left

Application info

Jumper III (04/06--)

11-14 641 0019 | MSM0216

Strut mount



Notes

replacement in pairs recommended

References

5038.15

without ball bearing  
Front Axle

Application info

Saxo (02/96-04/04)

**Strut mount**

**11-14 641 1001 | MSM0251**

**Notes**

replacement in pairs recommended

without ball bearing  
Front Axle Right

**References**

5038.41

5038.72

**Counterpart**

11-14 641 1002 | MSM0258



**Application info**

Jumper I [02/94-08/02]

Jumper II [02/02--]

**Strut mount**

**11-14 641 1002 | MSM0258**

**Notes**

replacement in pairs recommended

without ball bearing  
Front Axle Left

**References**

5038.42

5038.74

**Counterpart**

11-14 641 1001 | MSM0251



**Application info**

Jumper I [02/94-08/02]

**Strut mount**

**11-14 641 0005 | MSM0077**

**Notes**

replacement in pairs recommended

without ball bearing  
Front Axle

**References**

5038.78



**Application info**

Berlingo I [07/96-12/11]  
ZX [03/91-07/99]

Xsara Picasso [09/99-06/12]

11-14 641 0003 | MSM0075

Strut mount



Notes

replacement in pairs recommended

without ball bearing  
Front Axle

References

5031.77  
5038.85

9681330980

Application info

Berlingo I (07/96-12/11)  
C4 I / Coupe / Grand Picasso / Picasso / Stufenheck (11/04--)

Berlingo II (04/08--)

11-14 641 0003/S | MSM0076

Strut mount



Notes

replacement in pairs recommended

with ball bearing  
Front Axle

References

5038.85  
9804776380

9821040880

Parts list

11-14 641 0003 | MSM0075

Strut mount

Application info

Berlingo I (07/96-12/11)  
C4 I / Coupe / Grand Picasso / Picasso / Stufenheck (11/04--)

Berlingo II (04/08--)

40-14 641 0000 | MSM0144

Strut mount



Notes

replacement in pairs recommended

without ball bearing  
Front Axle

References

5038.49  
5038.91

9646254781

Application info

C2 / C3 I / Pluriel (02/02--)



### Strut mount

11-14 641 0014 | MSM0085

#### Notes

replacement in pairs recommended

without ball bearing  
Front Axle Right

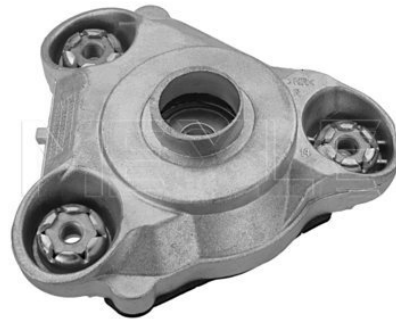
#### References

5038.89  
5038.A3

5038.C9  
5038.E2

#### Counterpart

11-14 641 0013 | MSM0084



#### Application info

Jumper II [02/02--]

Jumper III [04/06--]

### Strut mount

11-14 641 0013 | MSM0084

#### Notes

replacement in pairs recommended

without ball bearing  
Front Axle Left

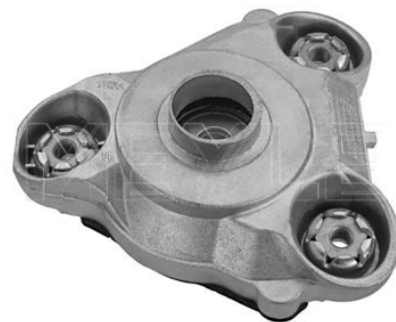
#### References

5038.87  
5038.A4

5038.E3

#### Counterpart

11-14 641 0014 | MSM0085



#### Application info

Jumper II [02/02--]

Jumper III [04/06--]

### Strut mount

11-14 641 0017 | MSM0086

#### Notes

replacement in pairs recommended

Roller bearing is not required  
without ball bearing  
Front Axle

#### References

5038.E6



#### Application info

C5 III [RD\_, TD\_] [02/08--]

11-14 641 0022 | MSM0217

Strut mount



Notes

replacement in pairs recommended  
Alternative Repair Kit

11-14 641 0025  
without ball bearing  
Front Axle

References

5038.G6  
5038.H4  
96 708 307 80

96 837 389 80  
98 113 705 80

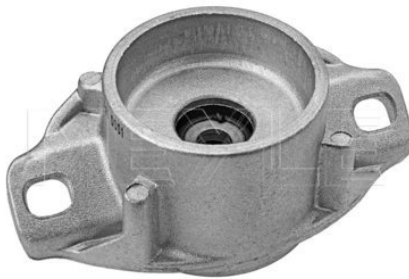
Application info

C3 Picasso (02/09--)  
C3 II (09/09--)  
C Elyse (11/12--)

DS3 (11/09-12/16)  
C4 Cactus (09/14--)

11-14 741 0001 | MSM0088

Strut mount



Notes

replacement in pairs recommended

Inner diameter [mm]  
Outer diameter [mm]

Roller bearing is not required  
10  
64  
without ball bearing  
Rear Axle

References

5142.34

Application info

C4 I / Coupe / Grand Picasso / Picasso / Stufenheck (11/04--)

11-14 741 0002 | MSM0220

Strut mount



Notes

replacement in pairs recommended

Roller bearing is not required  
without ball bearing  
Rear Axle

References

5142.48

Application info

C4 I / Coupe / Grand Picasso / Picasso / Stufenheck (11/04--)

C4 II / DS4 (02/09--)



### Strut mount

11-14 641 0032 | MSM0321

#### Notes

replacement in pairs recommended

Required quantity

Piece  
Rubber-Metal Mount  
Bronze  
without ball bearing  
1  
Front Axle left and right

#### References

98 055 199 80



#### Application info

Jumpy III [04/16--]

Spacetourer [04/16--]

### Strut mount bearing

11-14 641 0004 | MMB0008

#### Notes

Inner diameter [mm] 49  
Outer diameter [mm] 70.5  
Height [mm] 7.3  
Front Axle

#### References

16 202 985 80 5035.39



#### Application info

Jumper I [02/94-08/02]  
Jumper II [02/02--]

Jumper III [04/06--]

### Strut mount bearing

214 770 0001 | MMB0014

#### Notes

Inner diameter [mm] 66.5  
Outer diameter [mm] 99  
Height [mm] 20  
Suspension Strut  
Front Axle

#### References

5035.23 91 510 633  
5035.27



214 770 0001 | MMB0014

Strut mount bearing

Application info

AX (07/86-12/98)  
Saxo (02/96-04/04)  
Berlingo I (07/96-12/11)  
ZX (03/91-07/99)  
Xsara Picasso (09/99-06/12)  
C3 Picasso (02/09--)  
C15 / Visa (09/78-10/06)  
C3 II (09/09--)  
C4 I / Coupe / Grand Picasso / Picasso / Stufenheck (11/04--)

C2 / C3 I / Pluriel (02/02--)  
DS5 (09/11-07/15)  
C Elyse (11/12--)  
DS3 (11/09-12/16)  
C4 II / DS4 (02/09--)  
Berlingo II (04/08--)  
C4 Cactus (09/14--)  
C3 III (07/16--)  
C3 AIRCROSS II (06/17--)

11-14 641 0018 | MMB0010

Strut mount bearing



Notes

Inner diameter [mm]	78
Outer diameter [mm]	128
Height [mm]	45
	Front Axle

References

5035.29	5035.45
5035.38	5035.55
5035.43	

Application info

Evasion (03/94-10/02)  
Jumpy I (06/94-12/06)

C8 (06/02--)  
Jumpy II (01/07--)

11-14 412 0001 | MMB0033

Strut mount bearing



Notes

Front Axle left and right

Application info

C4 III (10/20--)





### Sensor ring, ABS

11-14 899 0020 | MCX0188

#### Notes

Number of Teeth, ABS ring	96
Thickness [mm]	8.3
Inner diameter [mm]	68.9
Inner diameter [mm]	63
Outer diameter [mm]	72.7
Rear Axle left and right	

#### References

3349.09



#### Application info

C3 II (09/09--)  
C2 / C3 I / Pluriel (02/02--)

DS3 (11/09-12/16)

### Wheel bearing kit

11-14 650 0014 | MWK0207

#### Notes

	with attachment material
Inner diameter [mm]	49
Outer diameter [mm]	84
Height [mm]	48
Tapered Roller Bearing	
Front Axle left and right	

#### References

16 063 750 80                      3362.62  
3326.62



#### Application info

Jumper I (02/94-08/02)

Jumper II (02/02--)

### Wheel bearing kit

11-14 650 0007 | MWK0094

#### Notes

	with attachment material
Number of Teeth, ABS ring	48
Inner diameter [mm]	42
Outer diameter [mm]	82
Height [mm]	36
with integrated magnetic sensor ring	
Ball Bearing	
Front Axle left and right	

#### References

16 066 235 80                      3350.84  
16 239 488 80                      3350.97  
16 364 102 80                      E268416  
3350.69



8



11-14 650 0007 | MWK0094

Wheel bearing kit

Application info

C5 I / C5 II (03/01--)  
C3 Picasso (02/09--)  
C3 II (09/09--)  
C4 I / Coupe / Grand Picasso / Picasso / Stufenheck (11/04--)  
C2 / C3 I / Pluriel (02/02--)  
DS5 (09/11-07/15)  
C Elyse (11/12--)

DS3 (11/09-12/16)  
C4 II / DS4 (02/09--)  
Berlingo II (04/08--)  
C4 Cactus (09/14--)  
C3 III (07/16--)  
C3 AIRCROSS II (06/17--)

11-14 650 0017 | MWK0236

Wheel bearing kit



Notes

Inner diameter [mm]  
Outer diameter [mm]  
Height [mm]

with attachment material  
for vehicles with ABS  
42  
80  
44  
with integrated magnetic  
sensor ring  
Ball Bearing  
Front Axle

References

16 101 376 80                      16 322 655 80  
16 188 452 80                      16 478 573 80

Application info

C4 II / DS4 (02/09--)  
Berlingo II (04/08--)  
C4 Grand Picasso II (01/13--)

C4 SPACETOURER / GRAND SPACETOURER (04/18--)  
Berlingo III (06/18--)  
C5 AIRCROSS (11/18--)

40-14 650 0000 | MWK0250

Wheel bearing kit



Notes

Inner diameter [mm]  
Outer diameter [mm]  
Height [mm]

with attachment material  
for vehicles with ABS  
44  
82.5  
37  
with integrated magnetic  
sensor ring  
Ball Bearing  
Front Axle

References

16 109 115 80                      3350.87  
16 239 480 80                      3350.90  
3350.81

Application info

C8 (06/02--)



### Wheel bearing kit

11-14 650 0013 | MWK0098

#### Notes

Inner diameter [mm]	55	with attachment material
Outer diameter [mm]	90	
Height [mm]	60	
		Tapered Roller Bearing
		Front Axle left and right

#### References

16 063 751 80	3326.69
3326.63	



#### Application info

Jumper II (02/02--)

### Wheel bearing kit

11-14 750 0004 | MWK0100

#### Notes

Inner diameter 2 [mm]	30	with attachment material
Inner diameter 1 [mm]	40	
Outer diameter 2 [mm]	55	
Outer diameter 1 [mm]	68	
Height 2 [mm]	17	
Height 1 [mm]	19	
		Tapered Roller Bearing
		Rear Axle left and right

#### References

3350.25



#### Application info

Jumper I (02/94-08/02)

### Wheel bearing kit

11-14 033 5029/S | MWK0090

#### Notes

Inner diameter 2 [mm]	50	with attachment material
Inner diameter 1 [mm]	50	
Outer diameter 2 [mm]	80	
Outer diameter 1 [mm]	80	
Height 2 [mm]	22	
Height 1 [mm]	22	
		Tapered Roller Bearing

#### References

3326.27	3350.29
3350.21	



#### Application info

C25 (07/81-07/94)

Jumper I (02/94-08/02)

11-14 650 0001 | MWK0091

Wheel bearing kit



Notes

Inner diameter 2 [mm]  
Inner diameter 1 [mm]  
Outer diameter 2 [mm]  
Outer diameter 1 [mm]  
Height 2 [mm]  
Height 1 [mm]

with attachment material  
for vehicles without ABS  
for vehicles with ABS  
55  
55  
90  
90  
24.3  
24.3  
Tapered Roller Bearing  
Front Axle left and right

References

3350.30

Application info

Jumper I [02/94-08/02]

11-14 650 0015 | MWK0211

Wheel bearing kit



Notes

Inner diameter [mm]  
Outer diameter [mm]  
Height [mm]

with attachment material  
for vehicles with ABS  
37  
72  
33  
with integrated magnetic  
sensor ring  
Ball Bearing  
Front Axle left and right

References

16 239 450 80  
3350.72  
3350.86

3350.92  
E268570

Application info

C3 II [09/09--]  
C2 / C3 I / Pluriel [02/02--]  
C Elyse [11/12--]

DS3 [11/09-12/16]  
C4 Cactus [09/14--]  
C3 III [07/16--]

**Wheel bearing kit**
**11-14 650 0016 | MWK0251**
**Notes**

 Inner diameter [mm]  
 Outer diameter [mm]  
 Height [mm]

 with attachment material  
 for vehicles with ABS  
 45  
 86  
 44  
 with integrated magnetic  
 sensor ring  
 Ball Bearing  
 Front Axle

**References**

 16 137 171 80  
 16 179 697 80

3350.93

**Application info**

 Jumpy II (01/07--)  
 Jumpy III (04/16--)

Spacetourer (04/16--)

**Wheel bearing kit**
**32-14 650 0006 | MWK0274**
**Notes**

 Number of Teeth, ABS ring  
 Inner diameter [mm]  
 Outer diameter [mm]  
 Height [mm]

 with accessories  
 72  
 35  
 64  
 37  
 with ABS sensor ring  
 Ball Bearing  
 Front Axle left and right

**References**

16 109 783 80

3350.96

**Application info**

C-Zero (10/10--)

**Wheel bearing kit**
**11-14 750 0020 | MWK0101**
**Notes**

 Inner diameter [mm]  
 Outer diameter [mm]  
 Height [mm]

 with attachment material  
 Disc Brake  
 42  
 75  
 60  
 Tapered Roller Bearing  
 Rear Axle left and right

**References**

3730.32

11-14 750 0020 | MWK0101

Wheel bearing kit

Application info

Jumper I (02/94-08/02)

Jumper II (02/02--)

40-14 750 0002 | MWK0242

Wheel bearing kit



Notes

Inner diameter [mm]  
Outer diameter [mm]  
Height [mm]

with attachment material  
30  
62  
48  
Tapered Roller Bearing  
Rear Axle

References

16 077 045 80  
16 239 425 80

3748.90

Application info

C3 Picasso (02/09--)  
C3 II (09/09--)  
C4 I / Coupe / Grand Picasso / Picasso / Stufenheck (11/04--)  
C Elyse (11/12--)

DS3 (11/09-12/16)  
C4 Cactus (09/14--)  
C3 III (07/16--)  
C3 AIRCROSS II (06/17--)

40-14 750 0003 | MWK0255

Wheel bearing kit



Notes

Inner diameter [mm]  
Outer diameter [mm]  
Height [mm]

with attachment material  
25  
52  
42  
Tapered Roller Bearing  
Rear Axle

References

16 137 167 80  
16 239 432 80

3748.A1

Application info

C3 II (09/09--)  
C Elyse (11/12--)  
DS3 (11/09-12/16)

C4 Cactus (09/14--)  
C3 III (07/16--)



### Wheel bearing kit

11-14 033 5016 | MWK0088

#### Notes

Inner diameter [mm]	with attachment material
Outer diameter [mm]	42
Height [mm]	82
	36
	Ball Bearing
	Front Axle left and right

#### References

16 239 483 80	3350.16
3307.56	E268403



#### Application info

BX [10/82-12/94]  
Berlingo I [07/96-12/11]  
Xantia [03/93-04/03]

ZX [03/91-07/99]  
Xsara Picasso [09/99-06/12]  
Xsara [04/97-03/10]

### Wheel bearing kit

11-14 033 5017 | MWK0089

#### Notes

Inner diameter [mm]	with attachment material
Outer diameter [mm]	35
Height [mm]	72
	33
	Ball Bearing
	Front Axle left and right

#### References

3350.17



#### Application info

AX [07/86-12/98]  
Saxo [02/96-04/04]  
ZX [03/91-07/99]

C15 / Visa [09/78-10/06]  
Xsara [04/97-03/10]

### Wheel bearing kit

11-14 650 0002 | MWK0092

#### Notes

Inner diameter [mm]	with accessories
Outer diameter [mm]	44
Height [mm]	82.5
	37
	Ball Bearing
	Front Axle left and right

#### References

16 239 485 80	3350.27
3326.40	3350.91



#### Application info

Evasion [03/94-10/02]

Jumpy I [06/94-12/06]

11-14 650 0006 | MWK0093

Wheel bearing kit



Notes

Inner diameter [mm]  
Outer diameter [mm]  
Height [mm]

with attachment material  
37  
72  
33  
Ball Bearing  
Front Axle left and right

References

3350.32

E268406

Application info

Saxo [02/96-04/04]  
C2 / C3 I / Pluriel [02/02--]

Xsara [04/97-03/10]

11-14 650 0008 | MWK0095

Wheel bearing kit



Notes

Inner diameter [mm]  
Outer diameter [mm]  
Height [mm]

with attachment material  
45  
83  
44  
with integrated magnetic  
sensor ring  
Ball Bearing  
Front Axle left and right

References

16 077 041 80  
16 131 351 80  
16 239 422 80

3350.82  
3646.C0  
3647.C0

Application info

C6 [09/05-12/12]  
C5 III (RD\_, TD\_) [02/08--]

DS5 [09/11-07/15]  
C4 II / DS4 [02/09--]

11-14 650 0010 | MWK0096

Wheel bearing kit



Notes

Inner diameter [mm]  
Outer diameter [mm]  
Height [mm]  
Rim Hole Number

with attachment material  
35  
66  
32  
3  
Ball Bearing  
Front Axle left and right

References

3350.18  
95 603 182

95 654 075





### Wheel bearing kit

11-14 650 0010 | MWK0096

#### Application info

AX (07/86-12/98)

Saxo (02/96-04/04)

### Wheel bearing kit

11-14 650 0012 | MWK0097

#### Notes

Inner diameter [mm]  
Outer diameter [mm]  
Height [mm]

with attachment material  
for vehicles with ABS  
38  
69  
39  
with integrated magnetic  
sensor ring  
Ball Bearing  
Front Axle left and right



#### References

16 109 114 80

6822.JL

#### Application info

C1 (06/05-09/14)

C1 II (04/14--)

### Wheel bearing kit

11-14 750 0001 | MWK0099

#### Notes

Inner diameter [mm]  
Outer diameter [mm]  
Height [mm]

with attachment material  
25  
52  
37  
Tapered Roller Bearing  
Rear Axle left and right



#### References

3748.17  
3748.39

E268418  
E268422

#### Application info

AX (07/86-12/98)  
Saxo (02/96-04/04)

ZX (03/91-07/99)  
Xsara (04/97-03/10)

11-14 750 0025 | MWK0102

Wheel bearing kit



Notes

Inner diameter [mm]  
Outer diameter [mm]  
Height [mm]

with attachment material  
25  
60  
45  
Tapered Roller Bearing  
Rear Axle left and right

References

3748.83

E268542

Application info

C4 I / Coupe / Grand Picasso / Picasso / Stufenheck (11/04--)

11-14 750 0028 | MWK0103

Wheel bearing kit



Notes

Inner diameter [mm]  
Outer diameter [mm]  
Height [mm]

with attachment material  
25  
52  
37  
with ABS sensor ring  
Tapered Roller Bearing  
Rear Axle left and right

References

3748.77

E268579

Application info

C3 II (09/09--)

C2 / C3 I / Pluriel (02/02--)

11-14 750 0029 | MWK0104

Wheel bearing kit



Notes

Inner diameter [mm]  
Outer diameter [mm]  
Height [mm]

with attachment material  
30  
62  
51  
Tapered Roller Bearing  
Rear Axle left and right

References

16 109 116 80  
16 239 456 80

3748.94

Application info

C4 I / Coupe / Grand Picasso / Picasso / Stufenheck (11/04--)  
DS5 (09/11-07/15)

C4 II / DS4 (02/09--)  
Berlingo II (04/08--)



### Wheel bearing kit

214 650 0006 | MWK0130

#### Notes

Inner diameter [mm]  
Outer diameter [mm]  
Height [mm]

with attachment material  
35  
72  
33  
Ball Bearing  
Front Axle left and right

#### References

3326.72

3326.76



#### Application info

Nemo [02/08--]

### Wheel bearing kit

214 650 0010 | MWK0131

#### Notes

Inner diameter [mm]  
Outer diameter [mm]  
Height [mm]

with attachment material  
for vehicles with ABS  
37  
72  
37  
Ball Bearing  
Front Axle left and right

#### References

16 186 492 80  
3326.75

3326.77



#### Application info

Nemo [02/08--]

### Wheel bearing kit

214 650 0013 | MWK0212

#### Notes

Inner diameter [mm]  
Outer diameter [mm]  
Height [mm]

with attachment material  
55  
90  
54  
with integrated magnetic  
sensor ring  
Tapered Roller Bearing  
Front Axle left and right

#### References

16 063 746 80  
16 109 113 80

16 239 479 80  
3326.71



#### Application info

Jumper III [04/06--]

32-14 650 0004 | MWK0247

Wheel bearing kit



Notes

Inner diameter [mm]  
Outer diameter [mm]  
Height [mm]

with attachment material  
for vehicles with ABS  
43  
80  
40  
with integrated magnetic  
sensor ring  
Ball Bearing  
Front Axle

References

16 115 008 80                      3326.74

Application info

C-Crosser (02/07--)

C4 AIRCROSS (08/10--)

11-14 752 0006 | MWH0276

Wheel hub



Notes

Outer diameter [mm]  
Bolt Hole Circle Ø [mm]  
Rim Hole Number

with attachment material  
140.5  
114.3  
5  
with integrated wheel bearing  
with ABS sensor ring  
Ball Bearing  
Rear Axle

References

16 062 917 80

Application info

C-Crosser (02/07--)

C4 AIRCROSS (08/10--)

40-14 752 0002 | MWH0270

Wheel hub



Notes

Outer diameter [mm]  
Bolt Hole Circle Ø [mm]  
Rim Hole Number

with attachment material  
143  
118  
5  
with integrated wheel bearing  
with integrated magnetic  
sensor ring  
Tapered Roller Bearing  
Rear Axle

References

16 063 747 80                      3701.82  
16 137 166 80

## Wheel hub

40-14 752 0002 | MWH0270

### Application info

Jumper III (04/06--)

## Wheel hub

214 750 0002 | MWH0089

### Notes

Inner diameter [mm]  
Outer diameter [mm]  
Bolt Hole Circle Ø [mm]  
Rim Hole Number

with attachment material  
30  
117  
98  
4  
with integrated magnetic  
sensor ring  
with integrated wheel bearing  
Ball Bearing  
Rear Axle left and right



### References

16 066 355 80  
16 191 098 80

3748.98

### Application info

Nemo (02/08--)

E Mehari (06/16--)

## Wheel hub

11-14 752 0008 | MWH0299

### Notes

Outer diameter [mm]  
Bolt Hole Circle Ø [mm]  
Thread Size  
Rim Hole Number

with accessories  
140.5  
114.3  
M12x1,5  
5  
with ABS sensor ring  
with integrated wheel bearing  
Ball Bearing  
Right  
Left  
Rear Axle



### References

16 099 103 80

### Application info

C4 AIRCROSS (08/10--)

11-14 752 0007 | MWH0327

Wheel hub



Notes

Outer diameter [mm]  
Bolt Hole Circle Ø [mm]  
Thread Size  
Rim Hole Number

with accessories  
140.5  
114.3  
M12x1,5  
5  
with integrated wheel bearing  
with ABS sensor ring  
Ball Bearing  
Right  
Left  
Rear Axle  
25

Number of Teeth

References

16 099 105 80

Application info

C4 AIRCROSS (08/10--)

11-14 750 0034 | MWH0378

Wheel hub



Notes

Outer diameter [mm]  
Bolt Hole Circle Ø [mm]  
Rim Hole Number

with attachment material  
135  
100  
4  
Four-point mounting  
with seal ring  
with integrated magnetic  
sensor ring  
with integrated wheel bearing  
Ball Bearing  
Rear Axle

References

16 077 044 80  
16 109 120 80

3748.85

Application info

C1 (06/05-09/14)

C1 II (04/14--)

11-14 652 0001 | MWH0047

Wheel hub



Notes

Outer diameter [mm]  
Bolt Hole Circle Ø [mm]  
Rim Hole Number

without attachment material  
122  
98.5  
5  
without wheel bearing  
Front Axle left and right  
27

Number of Teeth

References

3307.64



### Wheel hub

11-14 652 0001 | MWH0047

#### Application info

Evasion [03/94-10/02]  
Jumpy I [06/94-12/06]

C8 [06/02--]

### Wheel hub

214 750 0005 | MWH0379

#### Notes

Outer diameter [mm]  
Bolt Hole Circle Ø [mm]  
Rim Hole Number

with attachment material  
160  
130  
5  
with integrated wheel bearing  
Tapered Roller Bearing  
Rear Axle left and right

#### References

3701.83



#### Application info

Jumper III [04/06--]

### Wheel hub

32-14 752 0006 | MWH0397

#### Notes

Number of Teeth, ABS ring  
Outer diameter [mm]  
Bolt Hole Circle Ø [mm]  
Rim Hole Number

with attachment material  
86  
140.5  
114.3  
5  
Four-point mounting  
with ABS sensor ring  
with integrated wheel bearing  
Ball Bearing  
Rear Axle left and right  
21

Number of Teeth

#### References

3730.36



#### Application info

C-Crosser [02/07--]

11-14 750 0014 | MWH0050

Wheel hub



Notes

Number of Teeth, ABS ring  
Inner diameter [mm]  
Outer diameter [mm]  
Bolt Hole Circle Ø [mm]  
Rim Hole Number

with attachment material  
48  
32  
129  
108  
4  
with ABS sensor ring  
with integrated wheel bearing  
Ball Bearing  
Rear Axle left and right

References

16 137 170 80                      3748.80  
3748.68

Application info

Berlingo I (07/96-12/11)

Xsara Picasso (09/99-06/12)

11-14 750 0016 | MWH0052

Wheel hub



Notes

Inner diameter [mm]  
Outer diameter [mm]  
Bolt Hole Circle Ø [mm]  
Rim Hole Number

with attachment material  
32  
128  
108  
5  
with integrated magnetic  
sensor ring  
with integrated wheel bearing  
Ball Bearing  
Rear Axle left and right

References

16 077 043 80                      3748.86  
16 239 424 80                      3748.87

Application info

C6 (09/05-12/12)

C5 III (RD\_, TD\_) (02/08--)

11-14 752 0002 | MWH0060

Wheel hub



Notes

Outer diameter [mm]  
Bolt Hole Circle Ø [mm]  
Rim Hole Number

with attachment material  
128  
104  
4  
with integrated wheel bearing  
Ball Bearing  
Rear Axle left and right

References

3748.96                                      3748.A0



**Wheel hub**
**11-14 752 0002 | MWH0060**
**Application info**

 Jumpy II (01/07--)  
 +

**Wheel hub**
**11-14 752 0010 | MWH0326**
**Notes**

 Outer diameter [mm]  
 Bolt Hole Circle Ø [mm]  
 Thread Size

 with accessories  
 129  
 108  
 M12x1,25  
 with ABS sensor ring  
 with integrated wheel bearing  
 Ball Bearing  
 4  
 Rear Axle

Number of Holes

**References**

3748.A5


**Application info**

DS5 (09/11-07/15)

 C4 II / DS4 (02/09--)  
 8

**Wheel hub**
**11-14 752 0001 | MWH0059**
**Notes**

 Outer diameter [mm]  
 Bolt Hole Circle Ø [mm]  
 Rim Hole Number

 with attachment material  
 128  
 104  
 4  
 with integrated wheel bearing  
 Ball Bearing  
 Rear Axle left and right

**References**

 3739.34  
 3748.95  
 3748.99

 3748.A3  
 4209.F8

**Application info**

 Jumpy II (01/07--)  
 8

11-14 752 0004 | MWH0279

Wheel hub



Notes

Outer diameter [mm]  
Bolt Hole Circle Ø [mm]  
Rim Hole Number

with attachment material  
130  
104  
5  
with integrated wheel bearing  
with ABS sensor ring  
Ball Bearing  
Rear Axle

References

98 037 361 80

Application info

C4 II / DS4 (02/09--)  
C4 Grand Picasso II (01/13--)

C4 SPACETOURER / GRAND SPACETOURER (04/18--)

11-14 752 0009 | MWH0325

Wheel hub



Notes

Number of Teeth, ABS ring  
Outer diameter [mm]  
Bolt Hole Circle Ø [mm]  
Thread Size

with accessories  
96  
129  
108  
M12x1,25  
with integrated wheel bearing  
with ABS sensor ring  
Ball Bearing  
5  
Rear Axle  
28

Number of Holes

Number of Teeth

References

98 190 747 80

Application info

Jumpy III (04/16--)

Spacetourer (04/16--)

11-14 033 0772 | MWH0045

Wheel hub



Notes

Inner diameter [mm]  
Outer diameter [mm]  
Bolt Hole Circle Ø [mm]  
Rim Hole Number

without attachment material  
for vehicles with ABS  
28  
128  
108  
4  
without wheel bearing  
Front Axle left and right  
25

Number of Teeth

References

3307.72

3307.85

**Wheel hub**
**11-14 033 0772 | MWH0045**
**Application info**

 Berlingo I (07/96-12/11)  
 Xsara Picasso (09/99-06/12)  
 C3 Picasso (02/09--)  
 C3 II (09/09--)  
 C4 I / Coupe / Grand Picasso / Picasso / Stufenheck (11/04--)  
 DS5 (09/11-07/15)  
 Xsara (04/97-03/10)

 C Elyse (11/12--)  
 DS3 (11/09-12/16)  
 C4 II / DS4 (02/09--)  
 Berlingo II (04/08--)  
 C4 Cactus (09/14--)  
 C3 III (07/16--)  
 C3 AIRCROSS II (06/17--)

**Wheel hub**
**11-14 652 0003 | MWH0235**
**Notes**

 Outer diameter [mm]  
 Bolt Hole Circle Ø [mm]  
 Rim Hole Number

 without attachment material  
 130  
 108  
 4  
 without wheel bearing  
 Front Axle left and right  
 21

Number of Teeth

**References**

3307.76


**Application info**

 Saxo (02/96-04/04)  
 C3 Picasso (02/09--)  
 C3 II (09/09--)  
 C2 / C3 I / Pluriel (02/02--)  
 Xsara (04/97-03/10)

 C Elyse (11/12--)  
 DS3 (11/09-12/16)  
 C4 Cactus (09/14--)  
 C3 III (07/16--)

**Wheel hub**
**11-14 750 0009 | MWH0049**
**Notes**

 Number of Teeth, ABS ring  
 Inner diameter [mm]  
 Outer diameter [mm]  
 Bolt Hole Circle Ø [mm]  
 Rim Hole Number

 with attachment material  
 29  
 25  
 128  
 108  
 4  
 with ABS sensor ring  
 with integrated wheel bearing  
 Ball Bearing  
 Rear Axle left and right

**References**

3748.31

3748.45


**Application info**

Xsara (04/97-03/10)

11-14 750 0013 | MWH0222

Wheel hub



Notes

Outer diameter [mm]  
Bolt Hole Circle Ø [mm]  
Rim Hole Number

with attachment material  
for vehicles with ABS  
128  
108  
4  
with integrated magnetic  
sensor ring  
with integrated wheel bearing  
Ball Bearing  
Rear Axle

References

3748.88

Application info

Berlingo I (07/96-12/11)

Xsara Picasso (09/99-06/12)

11-14 750 0015 | MWH0051

Wheel hub



Notes

Inner diameter [mm]  
Outer diameter [mm]  
Bolt Hole Circle Ø [mm]  
Rim Hole Number

with attachment material  
32  
129  
108  
4  
with integrated wheel bearing  
Ball Bearing  
Rear Axle left and right

References

16 077 039 80  
3748.28

3748.43  
E268425

Application info

Berlingo I (07/96-12/11)

Xsara Picasso (09/99-06/12)

11-14 750 0018 | MWH0223

Wheel hub



Notes

Number of Teeth, ABS ring  
Inner diameter [mm]  
Outer diameter [mm]  
Bolt Hole Circle Ø [mm]  
Rim Hole Number

without attachment material  
48  
30  
120  
98  
5  
with ABS sensor ring  
with integrated wheel bearing  
Ball Bearing  
Rear Axle

References

16 239 466 80

3350.28

**Wheel hub**
**11-14 750 0018 | MWH0223**
**Application info**

Evasion [03/94-10/02]

Jumpy I [06/94-12/06]

**Wheel hub**
**11-14 750 0022 | MWH0053**
**Notes**

 Number of Teeth, ABS ring  
 Inner diameter [mm]  
 Outer diameter [mm]  
 Bolt Hole Circle Ø [mm]  
 Rim Hole Number

 with attachment material  
 29  
 32  
 128  
 108  
 4  
 with ABS sensor ring  
 with integrated wheel bearing  
 Ball Bearing  
 Rear Axle left and right

**References**

 16 137 173 80  
 3748.36

3748.44


**Application info**

Berlingo I [07/96-12/11]

Xsara Picasso [09/99-06/12]

**Wheel hub**
**11-14 750 0027 | MWH0054**
**Notes**

 Inner diameter [mm]  
 Outer diameter [mm]  
 Bolt Hole Circle Ø [mm]  
 Rim Hole Number

 with attachment material  
 25  
 129  
 108  
 4  
 with integrated wheel bearing  
 Ball Bearing  
 Rear Axle left and right

**References**

3748.76


**Application info**

C3 II [09/09--]

C2 / C3 I / Pluriel [02/02--]

11-14 750 0030 | MWH0055

Wheel hub



Notes

Number of Teeth, ABS ring  
Outer diameter [mm]  
Bolt Hole Circle Ø [mm]  
Rim Hole Number

with attachment material  
48  
129  
108  
4  
with ABS sensor ring  
with integrated wheel bearing  
Ball Bearing  
Rear Axle left and right

References

3701.68  
3701.74

3748.78

Application info

Saxo [02/96-04/04]

Xsara [04/97-03/10]

11-14 750 0031 | MWH0056

Wheel hub



Notes

Number of Teeth, ABS ring  
Outer diameter [mm]  
Bolt Hole Circle Ø [mm]  
Rim Hole Number

with attachment material  
29  
128  
108  
4  
with ABS sensor ring  
with integrated wheel bearing  
Ball Bearing  
Rear Axle left and right

References

3748.32

Application info

ZX [03/91-07/99]

Xsara [04/97-03/10]

11-14 750 0032 | MWH0057

Wheel hub



Notes

Inner diameter [mm]  
Outer diameter [mm]  
Bolt Hole Circle Ø [mm]  
Rim Hole Number

with attachment material  
25  
128  
108  
4  
with integrated wheel bearing  
Ball Bearing  
Rear Axle left and right

References

3748.74



### Wheel hub

11-14 750 0032 | MWH0057

#### Application info

C4 I / Coupe / Grand Picasso / Picasso / Stufenheck (11/04--)

C4 II / DS4 (02/09--)

### Wheel hub

11-14 752 0000 | MWH0058

#### Notes

Number of Teeth, ABS ring	with attachment material 29 Drum Brake
Inner diameter [mm]	25
Outer diameter [mm]	129
Bolt Hole Circle Ø [mm]	108
Rim Hole Number	4
	with integrated wheel bearing Ball Bearing Rear Axle left and right

#### References

3748.37



#### Application info

Xsara (04/97-03/10)

### Wheel hub

32-14 752 0004 | MWH0136

#### Notes

Outer diameter [mm]	with attachment material 140
Bolt Hole Circle Ø [mm]	114.3
Rim Hole Number	5
	Four-point mounting with wheel studs with integrated magnetic sensor ring with integrated wheel bearing Ball Bearing Rear Axle left and right
Number of Teeth	25

#### References

16 062 918 80



#### Application info

C-Crosser (02/07--)

C4 AIRCROSS (08/10--)

40-14 652 0001 | MWH0157

Wheel hub



Notes

Outer diameter [mm]  
Bolt Hole Circle Ø [mm]  
Rim Hole Number

without attachment material  
139

113.5

5

Number of Teeth

without wheel bearing  
Front Axle left and right  
28

References

3307.77

3307.84

Application info

Jumper II (02/02--)

40-14 750 0001 | MWH0228

Wheel hub



Notes

Number of Teeth, ABS ring  
Inner diameter [mm]  
Outer diameter [mm]  
Bolt Hole Circle Ø [mm]  
Rim Hole Number

with attachment material

44

32

129

108

4

with integrated wheel bearing  
with ABS sensor ring  
Ball Bearing  
Rear Axle left and right

References

16 137 168 80

3748.70

16 239 433 80

Application info

C5 I / C5 II (03/01--)

40-14 752 0001 | MWH0159

Wheel hub



Notes

Number of Teeth, ABS ring  
Inner diameter [mm]  
Outer diameter [mm]  
Bolt Hole Circle Ø [mm]  
Rim Hole Number

with attachment material

29

25

129.1

108

4

with ABS sensor ring  
with integrated wheel bearing  
Ball Bearing  
Rear Axle left and right

References

16 077 037 80

3748.38

16 239 418 80

3748.72





### Wheel hub

40-14 752 0001 | MWH0159

#### Application info

Xsara (04/97-03/10)

### Wheel hub

40-14 752 0003 | MWH0281

#### Notes

Outer diameter [mm]  
Bolt Hole Circle Ø [mm]  
Rim Hole Number

with attachment material  
130  
104  
5  
with integrated wheel bearing  
with ABS sensor ring  
Ball Bearing  
Rear Axle

#### References

96 713 260 80



#### Application info

C4 SPACETOURER / GRAND SPACETOURER (04/18--)  
Berlingo III (06/18--)

C5 AIRCROSS (11/18--)

MEYLE no.	Ref. no.	Page
<b>Citroën</b>		
014 020 1039	5960.67 5962.3J 95 534 788 E161003	262
014 098 9017	3247.03	188
014 698 0006	4439.14	138
014 698 0006/S	4439.14	139
025 201 6215	16 172 556 80 4251.72 4251.83 95 650 872 95 651 047 95 654 085 95 659 642 95 666 973 95 667 788 E172193	122
025 202 6119/W	16 172 583 80 4252.31 4254.57 E172592	122
025 203 8915	4251.29 5 462 429 95 462 429 95 585 564 95 588 499 95 624 482 95 661 798	96
025 207 6417/PD	16 352 549 80	96
025 209 0518/PD	4251.37 4251.40 4251.47 4252.73 4254.99	97
025 209 0518/W	4251.37 4251.40 4251.47 4252.72 4252.73 4254.99	97
025 209 0618/PD	95659340 95659616 95666970	119
025 209 0618/W	95659340 95659616 95666970	119

MEYLE no.	Ref. no.	Page
<b>Citroën</b>		
025 209 6117	16 070 832 80 16 085 203 80 16 086 815 80 16 092 528 80 16 114 563 80 16 118 379 80 16 131 934 80 16 168 726 80 16 172 501 80 16 197 906 80 16 230 631 80 16 231 805 80 16 318 317 80 16 435 742 80 16 682 474 80 4252.23 4252.33 4252.41 4254.20 4254.28 4254.67 4254.C1 E 172 204	88
025 209 6117/PD	16 070 832 80 16 085 203 80 16 086 815 80 16 092 528 80 16 114 563 80 16 118 379 80 16 131 934 80 16 168 726 80 16 172 501 80 16 197 906 80 16 230 631 80 16 231 805 80 16 318 317 80 16 435 742 80 16 682 474 80 4252.23 4252.33 4252.41 4254.20 4254.28 4254.67 4254.C1 E 172 204	89

MEYLE no.	Ref. no.	Page
<b>Citroën</b>		
025 209 7311	16 172 479 80	102
	1722.01	
	4251.46	
	4251.97	
	4252.57	
	4252.74	
	4254.42	
	95 659 341	
	95 666 971	
025 209 7311/PD	16 172 479 80	102
	1722.01	
	4251.46	
	4251.97	
	4252.57	
	4252.74	
	4254.42	
	95 659 341	
	95 666 971	
	E172201	
025 210 8017/PD	95 611 498	123
	95 616 818	
	95 647 733	
	95 661 871	
025 210 8017/W	16 114 585 80	123
	16 172 483 80	
	95 611 498	
	95 616 818	
	95 647 733	
	95 659 353	
	95 661 871	
025 212 0519/W	09 938 205	120
	95 615 159	
	95 640 895	
	95 667 765	
025 212 6717/PD	1720.66	117
	4251.28	
	4251.89	
	4252.85	
	4252.86	
	4253.21	
	4254.93	
	95 619 550	
	95 646 300	
	95 647 611	
	95 658 617	

MEYLE no.	Ref. no.	Page
<b>Citroën</b>		
025 212 6717/W	16 172 489 80	118
	1720.66	
	4251.28	
	4251.89	
	4252.85	
	4252.86	
	4253.21	
	4254.93	
	95 619 549	
	95 619 550	
	95 619 601	
	95 646 300	
	95 647 611	
	95 650 935	
	95 650 936	
	95 650 937	
	95 650 938	
	95 658 617	
E172533		
025 212 7517	16 172 765 80	124
	4251.12	
	4254.66	
	E172279	
025 213 6315/PD	4253.88	124
	4254.30	
025 213 6315/W	16 203 684 80	124
	4253.88	
	4254.30	
025 213 8115	16 196 074 80	116
	4254.C6	
025 214 1418/W	95 659 340	120
	95 659 616	
	95 666 970	
025 215 0417/W	4252.95	118
	95 659 639	
	95 659 640	
025 216 3117/PD	4251.14	99
	4251.56	
	4252.91	
	95 667 785	
	95 667 786	
025 216 3117/W	16 172 519 80	99
	4251.14	
	4251.56	
	4252.91	
	95 667 785	

MEYLE no.	Ref. no.	Page
<b>Citroën</b>		
	95 667 786 E172027 E172511	
025 216 7419/W	16 172 541 80 4251.44 E172522	125
025 217 9719/PD	4251.17 4254.51	108
025 217 9719/W	16 114 580 80 16 172 804 80 4251.17 4254.51	109
025 217 9919/PD	4251.19 4254.52	109
025 217 9919/W	4251.19 4254.52	110
025 218 0119/W	16 114 581 80 16 172 492 80 4251.10 4254.53 E172039	125
025 218 2717	16 172 523 80 4251.21 4251.38 4251.39 4251.70 4253.06 E172513	126
025 219 8018	1720.82 4251.69 4251.92 4252.05 4253.05	126
025 219 8018/PD	1720.82 4251.69 4251.92 4252.05 4253.05	100
025 220 4119	1612434180 1614412180	94
025 220 4119/PD	1612434180 1614412180	94
025 225 8818	16 179 368 80	95
025 225 8818/PD	16 179 368 80	95
025 225 9417	16 132 607 80 16 735 974 80	93

MEYLE no.	Ref. no.	Page
<b>Citroën</b>		
025 230 4218/PD	4251.26 4251.50 4254.54	127
025 230 4218/W	16 172 505 80 4251.26 4251.50 4254.54 E172050	127
025 231 2419/PD	16 113 350 80 1720.59 4251.55 4254.85	98
025 231 2419/W	16 113 350 80 16 172 544 80 16 172 731 80 1720.59 4251.55 4253.33 4254.85 E172059 E172073 E172532 E172536	98
025 231 3518/W	4251.45 4252.11 4253.01	128
025 232 7318	16 172 741 80 4252.16 4252.49 4252.89 E 172 230	121
025 232 7617/W	4252.14 4252.87	128
025 232 7717/W	16 114 564 80 16 172 571 80 4252.15 4252.48 4252.88 4253.46 E 172 229	129
025 233 0515	4252.17 4252.90 4253.34 E 172 231 E 172 591	129
025 233 4619	4252.13	129

MEYLE no.	Ref. no.	Page
<b>Citroën</b>		
	4252.34 4253.80	
025 233 9617	16 172 560 80 1721.03 4252.03 4254.84	100
025 234 0719	4252.36 4252.58 4253.45 4253.69 4253.84 E 172 285	130
025 234 0719/PD	4252.36 4252.58 4253.45 4253.69 4253.84 E 172 285	130
025 234 0919	16 113 346 80 16 172 702 80 4252.37 4253.72 E 172 282	131
025 235 0715	16 062 256 80 16 102 756 80	131
025 235 8216	16 118 389 80 16 172 652 80 4253.91 4254.48	108
025 235 8216/PD	16 118 389 80 4253.91 4254.48	108
025 235 8416/PD	-	131
025 235 8416/W	16 076 903 80 16 076 904 80	89
025 235 8919	16 099 879 80 16 759 012 80 4253.23 4253.44 4254.88 E 172 359	121
025 235 9919	16 104 896 80 16 111 406 80 16 112 939 80 16 131 922 80 16 131 932 80	101

MEYLE no.	Ref. no.	Page
<b>Citroën</b>		
	16 140 058 80 16 172 829 80 16 370 145 80 16 461 861 80 4252.18 4252.40 4253.30 4253.42 4254.23 4254.75 4254.86 E 172 124 E 172 227 E 172 558 E 172 590	
025 235 9919/PD	16 104 896 80 16 111 406 80 16 112 939 80 16 131 922 80 16 131 932 80 16 140 058 80 16 172 829 80 16 461 861 80 4252.18 4252.40 4253.30 4253.42 4254.23 4254.75 4254.86 E 172 124 E 172 227 E 172 558 E 172 590	101
025 236 0019	16 111 409 80 4252.35 4252.53 4253.31 4253.70 4254.71 4254.92 E 172 125 E 172 284 E 172 315 E 172 559	115
025 236 0019/PD	16 111 409 80	116

MEYLE no.	Ref. no.	Page
<b>Citroën</b>		
	4252.35 4252.53 4253.31 4253.70 4254.71 4254.92 E 172 125 E 172 284 E 172 315 E 172 559	
025 236 0219/PD	4252.26	132
025 236 0219/W	16 172 790 80 4252.26 4254.55 E172354	132
025 236 0319/PD	4252.27 4254.56	110
025 236 0319/W	4252.27 4254.56	110
025 237 0517/PD	4254.07 4254.96	133
025 237 0517/W	4254.07 4254.96	133
025 237 0617/W	16 092 532 80 4254.C8	117
025 239 1719/PD	4252.43 4254.58	134
025 239 1719/W	4252.43 4254.58	134
025 239 1919/PD	4252.45 4254.59	111
025 239 1919/W	4252.45 4254.59 4254.C2	111
025 239 2120	16 114 577 80 16 172 817 80 4252.47 4254.43 4254.68 E172357	114
025 239 2120/PD	4252.47 4254.68	114
025 239 5917	16 114 569 80 16 172 648 80 4253.28 4254.74	114

MEYLE no.	Ref. no.	Page
<b>Citroën</b>		
	E 172 283	
025 241 3317/W	16 114 589 80 16 172 701 80 4252.94 4254.11 4254.80 4254.A0 4254.A3 E 172 155 E 172 237 E 172 314 E 172 569	115
025 241 3517	4254.04 4254.21 4254.91 E 172 240	121
025 241 3716	4254.05	105
025 241 3716/PD	4254.05	106
025 241 5017	4253.25 4253.99 4254.40 4254.76 E 172 286	103
025 243 3218	16 101 038 80 4254.03 4254.24	134
025 243 3218/PD	16 101 038 80 4254.03 4254.24	105
025 244 6519	16 111 408 80 16 114 574 80 16 172 650 80 4253.60 4254.69 E 172 302	103
025 244 6519/PD	4253.60 4254.69	135
025 244 6619-1/PD	4254.63	112
025 244 6619-2/PD	4253.74 4253.76 4254.64	113
025 244 6619/W1	16 118 392 80 16 124 336 80 16 172 845 80 4254.63	112
025 244 6619/W2	16 124 337 80	113

MEYLE no.	Ref. no.	Page
<b>Citroën</b>		
	16 238 426 80 4253.74 4253.76 4254.64	
025 244 6819-1/PD	1611457380 1612433880 16 238 423 80 4253.56 4254.61 E172301	91
025 244 6819-2/PD	1612433980 4253.58 4254.62	92
025 244 6819/W1	1611457380 1612433880 4253.56 4254.61 E172301	91
025 244 6819/W2	14 114 573 80 16 118 391 80 1612433980 4253.58 4254.62	93
025 245 3818	4253.61 4254.13 4254.25 4254.C0 E 172 295	103
025 245 3818/PD	4253.61 4254.13 4254.25 4254.C0 E 172 295	104
025 245 4016	4253.71 4254.32	104
025 245 5719	16 172 733 80 4253.62 4253.97 4254.77 E172338	135
025 245 7816	16 118 395 80 16 172 809 80 4253.67 4253.68 4254.97	136
025 245 9518/W	16 118 398 80	136

MEYLE no.	Ref. no.	Page
<b>Citroën</b>		
	16 172 795 80 16 231 603 80 4253.64 4253.66 4254.A1 4254.A2	
025 247 6516/W	4254.14 4254.29	107
025 248 3919/W	4253.95	137
025 248 8318	16 070 831 80 16 111 405 80 16 118 378 80 16 131 925 80 16 172 756 80 16 290 383 80 16 478 635 80 4254.31	88
025 249 2217	16 085 206 80 16 086 816 80 16 118 380 80 16 168 727 80 16 172 726 80 16 231 808 80 4254.35 4254.44 4254.46	107
025 250 6917	16 101 040 80 16 118 393 80 16 172 725 80 4254.73	90
025 250 9419	4254.27	106
025 250 9419/PD	4254.27	106
025 252 2018	16 118 400 80 16 172 732 80 4254.A9	116
025 252 5118	16 086 913 80 16 197 905 80	90
025 256 8814	1609899680 16 197 907 80 16 203 686 80 16 356 771 80	90
025 258 2717	16 090 009 80 16 197 912 80	137
025 258 3317	16 098 985 80 16 124 123 80 16 197 911 80	92

MEYLE no.	Ref. no.	Page
<b>Citroën</b>		
025 258 3417	16 231 623 80 16 369 254 80 16 678 170 80	95
025 258 3617	16 098 983 80 16 197 910 80 16 478 530 80	137
025 258 3917	16 090 006 80 16 197 908 80 16 364 139 80	138
025 259 8721/PD	16 124 340 80	93
028 289 0000	1337.27 1338.44	353
029 290 1111	6426.T3	16
029 300 1210	-	16
029 300 1211	-	17
029 300 1216	-	17
029 300 1217	-	17
029 350 1410	-	18
029 350 1416	-	18
029 350 1417	-	18
029 400 1600	-	19
029 400 1610	-	19
029 400 1612	-	20
029 425 1700	-	20
029 450 1800	-	20
029 475 1900	-	21
029 500 2000	-	21
029 530 2100	-	21
029 550 2200	-	22
029 600 2400	-	22
029 625 2500	-	23
029 650 2600	-	23
029 650 4750	16 113 485 80 16 232 327 80 6423.65 6423.N0 6426.YP 6426.YQ	16
029 700 2800	-	23
029 725 2900	-	24
029 750 3000	-	24
029 800 3200	-	25
050 003 0865	1280.39 1280.62	336
050 004 0698	5750G8 5750SQ	337

MEYLE no.	Ref. no.	Page
<b>Citroën</b>		
	91 536 222 93 501 676 93 502 487	
050 004 0755	5750.P1 5750WT 95 612 377	337
050 004 0800	91 541 177	333
050 004 0810	5750G9 6453E5 96 117 374	337
050 004 0815	96 117 374	335
050 004 0855	5750.Q9 96 019 294 96 019 295	338
050 004 0860	5750Q9 5750V0 5750XV 9643903780	338
050 004 0900	-	338
050 004 0922/E	4009P2 4009Q4	339
050 004 0945	1280.28 1280.60	339
050 004 0954	5750H1 5750SS 91 508 755 91508762 91 536 703 96 001 123	339
050 004 1025	5750L7 91 536 227 95 666 985	340
050 004 1265	-	340
050 005 0725	5750.P5 5750.P6 5750.WV 91 541 144 91 541 175	333
050 005 0760	5750.TR 96 173 680	340
050 005 0812	5750.R1	317
050 005 0850	5750.C4 5750.H5	341
050 005 0860	4007.CV 5750.SF	319
050 005 0880	5750.Q7	341





MEYLE no.	Ref. no.	Page
<b>Citroën</b>		
	5750.SE	
050 005 0884	5750.Q7 96 129 662 96 155 377	336
050 005 0962	5750.K5	314
050 005 0975	5750.79	310
050 005 1015	-	341
050 005 1030	5750P7 6453TX 96 126 957	342
050 005 1050	5750.Q1 5750.Q2 5750XE 96 261 720	342
050 005 1100	6453CV 6453FK 6453NX 6453TZ	342
050 005 1125	95 006 268	334
050 005 1140	5750SY	319
050 005 1155	96 152 090 96 152 091	343
050 005 1165	96 056 833	335
050 005 1195	5750.D1	310
050 005 1200	5750D1	311
050 005 1220	5750FQ 5750FR 5750VK 91 541 179	334
050 005 1230	1176.83 91541178 91541179	308
050 005 1255	5750R0 5750.TT 96129654 96155379	336
050 005 1270	96 014 241	334
050 006 0698	96 142 840 96 152 080	335
050 006 0725	5750.GC 5750.H9 5750.LC 5750.WN	312
050 006 0745	5750.FF	311
050 006 0800	5750.E7 5750.FS	313

MEYLE no.	Ref. no.	Page
<b>Citroën</b>		
	5750.FT 5750.J0 5750.VL 5750.YP 5750.ZF 96 154 391 96 401 158 80 96 401 159 80	
050 006 0850	5750.QK	316
050 006 0869	5750.X4	325
050 006 0873/E	5750.XP	327
050 006 0875	5750.FN 5750.QR 5750.XH	311
050 006 0890	1280.35	308
050 006 0915	5750.D9 5750.J1	313
050 006 0925	6453.VA 6453.W0	333
050 006 0950	1280.51 16 335 689 80	309
050 006 0965	5750.QH 5750.XF 98 004 531 80	316
050 006 0976	5750.FV 5750.FW 5750.YQ 5750.YS 96 423 837 80 96 423 839 80	330
050 006 0995	1280.47 1280.67	309
050 006 1000	5750.PF 5750.XG 96 53 204 180 96 53 204 380	326
050 006 1015	5750.J2 96 155 010	313
050 006 1045	5750.W2 5750.XW	329
050 006 1050	5750.PL 5750.PN 5750.WY 96 53 319 680	325
050 006 1060	16 11 204 980	310
050 006 1070	5750.98	325

MEYLE no.	Ref. no.	Page
<b>Citroën</b>		
	5750.K8 5750.PQ 5750.WZ 96 152 082 96 152 083 96 533 197 96 53 319 780 96 758 744 80 98 198 332 80	
050 006 1080	5750.A2 5750.J3 5750.TH 96 152 084 96 152 085	321
050 006 1090/E	5750.QY 5750RW 5750.YJ 96 617 288 80 96 631 010 80	330
050 006 1095	5750.J4 5750.TF	320
050 006 1100	5750.E2 5750.M5 5750.WR	324
050 006 1110	5750.L0 5750.WF	323
050 006 1125	5750.GE 5750.GN 5750.VT	322
050 006 1130	5750.J5 5750.TK 96 144 509	321
050 006 1145	5750.GW 5750.K0 5750.K1 5750.VZ 96 20 904 480	322
050 006 1150	5750.C9 5750.E9 5750.FP 5750.GX 5750.J6 5750.L3 5750.L4 5750.PC 5750.WJ	315

MEYLE no.	Ref. no.	Page
<b>Citroën</b>		
050 006 1163	5750..C1 5750.L9 5750.M9 5750.RT 5750.TN 5750.WL 96 236 849	324
050 006 1185	5750..ET 5750.FG 5750.FK 5750.GH 5750.QT 5750.XJ	317
050 006 1190	1177.19 5750.FG 5750.VJ E117719	343
050 006 1200	5750.M0 5750.Y2	329
050 006 1205	5750.FJ 5750.RZ 5750.ZG	332
050 006 1210	5750.QN	316
050 006 1225	5750.QF	315
050 006 1345	5750.KV 5750.VP	321
050 006 1350	5750.RX	318
050 006 1360	5750.RX 96 541 142 80	318
050 006 1370	16 099 575 80	309
050 006 1390	16 356 453 80 5750.GJ 5750.GP	312
050 006 1438	16 339 863 80 5750.EX 5750.EY 5750.VF 5750.Z9 96 411 841 80 96 411 842 80	332
050 006 1450	16 339 848 80 5750.T6 5750.YC 5750.Z1 96 33 727 280	331
050 006 1468	5750.EM	329

MEYLE no.	Ref. no.	Page
<b>Citroën</b>		
	5750.WH 5750.X8 5750.XT 96 372 505 80	
050 006 1560	5750.GZ 5750.WG	324
050 006 1565	5750.RF 5750.XA 5750.Y4 5750.Z3 9638007780	317
050 006 1590	5750.VE 5750.XK	327
050 006 1605	5750.Q5 5750.R2 5750.S9	319
050 006 1623	5750.T0	320
050 006 1660	5750.A1 5750.J7 5750.TG 96 152 078 96 152 079	320
050 006 1670	5750.RN 5750.YH	318
050 006 1680	16 356 454 80 5750.HE 5750.PY 96 550 295 80 96 550 297 80	315
050 006 1698	1177.38 16 356 455 80 5750.GS 5750.J8 5750.J9 5750.RH 5750.VY 5750.ZH	332
050 006 1705	5750.EK 5750.F0 5750.KT 5750.LH 5750.VQ 5750.Y5 5750.YA 96 155 949	330
050 006 1710	5750.P2	327

MEYLE no.	Ref. no.	Page
<b>Citroën</b>		
	5750.RR 5750.WP 5750.XR	
050 006 1715	5750.XR	328
050 006 1725	5750.FA 5750.FC 5750.M3 5750.M7 5750.VG 5750.W6 96 245 429 80 96 317 187 80	323
050 006 1735	5750.L2 5750.R5 5750.W0 5750.X7 5750.YF 5750.Z5 96188881	343
050 006 1740	5750.GK 5750.L1 5750.L2 5750.R9 5750.S7 5750.T8 5750.VS 5750.VX 5750.X3 96 188 881	322
050 006 1743	5750.HH 5750.VX 5750.XS	328
050 006 1750	5750.GF 5750.YG 5750.Z6 5750.Z7	331
050 006 1863	5750.K6	314
050 006 1885	5750.XC	326
100 127 0005	1906.88	395
100 323 0007	1906.32 1906.C9	392
100 611 0034	91 510 533 94 046 018 58	179
100 830 0014	6555.11 6555.34	298
100 955 0002	6434.74	14

MEYLE no.	Ref. no.	Page
<b>Citroën</b>		
100 955 0007	6434.C9	15
100 955 0010	YQ00153980	14
11-12 014 4402	1444.99 1444.TY	369
11-12 014 4409	1444.A1	370
11-12 014 4410	1444.J5	374
11-12 014 4419	1444.A4 1444.A8 1444.A9 1444.F4 1444.H5 1444.H6 1444.H7 1444.R7 1444.T1 1444.T2 1444.T3 1444.T4 1444.T5 1444.T6 1444.T9 1444.VT 1444.VV 1444.W8 95 618 786	382
11-12 014 4485	1444.A7 95 658 433 95 659 354	370
11-12 014 4486	96 144 871	387
11-12 319 0000	6447.NT 6447TL 96 87 459 780 E146155	28
11-12 319 0008/S	16 094 280 80 6447.VY	29
11-12 319 0009	6447.TV 6479.A5	36
11-12 319 0010	16 099 989 80 6447.XF 98 077 463 80	30
11-12 319 0011	6479.45 96 826 036 80	33
11-12 319 0012	6447.YK 6479.A6	31
11-12 319 0014	6447.YC 6479.C9	36

MEYLE no.	Ref. no.	Page
<b>Citroën</b>		
11-12 319 0015/S	96 787 920 80 98 142 376 80	38
11-12 320 0000	6447.NV 6479.75 96 360 862	28
11-12 320 0008/S	16 094 281 80 6447.VX	28
11-12 320 0010	16 099 989 80 6447.XG 9801448180 98 215 018 80	30
11-12 320 0011	6479.45 96 826 036 80	33
11-12 320 0012	6447.YN 6479.A7	32
11-12 320 0014	16 156 468 80	25
11-12 320 0017/S	98 333 510 80	39
11-12 321 0001	1444.CA 1444.CC 1444.CJ 1444.CK 1444.VQ	371
11-12 321 0002	1444.CZ 1444.K5 1444.VJ 1444.X0 1444.X0	374
11-12 321 0003	1444.FJ 1444.FL 1444.TZ	380
11-12 321 0004	1444.CV 1444.EZ 1444.FN	371
11-12 321 0005	1444.RW	377
11-12 321 0007	1444.QS	375
11-12 321 0008	1444.QJ	375
11-12 321 0009	1444.X3 1444.X7 96 422 120 80 96 452 957 80	383
11-12 321 0010	1444.F5 1444.G1 1444.VF 1444.WH 95 605 128	381
11-12 321 0011	1444.QE	378

MEYLE no.	Ref. no.	Page
<b>Citroën</b>		
	1444.R1 1444.R3 1444.TF	
11-12 321 0012	1444.J3	373
11-12 321 0013	1444.RK 1444.XG	377
11-12 321 0014	1444.TJ 1444.X5 E147242	384
11-12 321 0015	1444.EC 1444.EF 1444.VH 1444.X1 1444.X4	384
11-12 321 0016	1444.VL	381
11-12 321 0017	1444.E5	371
11-12 321 0018	1444.SW 1444.V3	380
11-12 321 0019	1444.TV	379
11-12 321 0020	1444.H2	373
11-12 321 0021	1444.SE 1444.XC	385
11-12 321 0022	1444.ER 1444.ET 1444.TK E147299	372
11-12 321 0023	1444.QX 1444.WN	376
11-12 321 0024	1444.FE 1444.PR 1444.VK E147302	381
11-12 321 0025	1444.RU 1444.SA 1444.SJ 1444.XE	385
11-12 321 0027	1444.TT	379
11-12 321 0029	1444.FK 1444.VX	382
11-12 321 0030	1444.FG 1444.TA	373
11-12 321 0031	1444.QP 1444.RP 1444.TE	378
11-12 321 0032	1444.EV 1444.EW	372

MEYLE no.	Ref. no.	Page
<b>Citroën</b>		
	1444.TP 1444.XF E147223 E147224	
11-12 321 0034	1444.QZ 96 583 379 80	376
11-12 321 0035	1444.QA 96 555 357 80	375
11-12 321 0036	1444.TG	379
11-12 321 0038	1444.FH 1444.VW	382
11-12 321 0041	1444.E7 1444.F2 1444.J7 1444.WA 94 014 459 68 95 658 437 95 658 483	383
11-12 321 0042	1444.R6 1444.WP	376
11-12 321 0043	98 023 486 80	388
11-12 321 0044	98 139 088 80	388
11-12 321 0045	98 000 975 80	387
11-12 324 0014	6447.YC	40
11-12 326 0008/PD	16 094 280 80 6447.VY	29
11-12 326 0010/PD	16 099 989 80 6447.XG 9801448180 98 215 018 80	31
11-12 326 0014/PD	16 156 468 80	25
11-12 330 0000/SK	1109.AY 1109.T3 1109.Z6 16 094 280 80 6447.VY	1
11-12 330 0001/S	1109.AY 1109.T3 1109.Z6 1444.TV 16 094 280 80 1901.97 1904.46 1906.E6 6447.VY 98 097 210 80	1

MEYLE no.	Ref. no.	Page
<b>Citroën</b>		
11-13 012 0102	1201.A2 1201.E5	358
11-13 012 0158	1201.58 1201.E4 1201.E6 1207.25 96 085 642 80	358
11-13 012 0163	1201.39 1201.63 91 511 136 95 656 566	356
11-13 012 0723	1201.47 1201.E3 1207.18 1207.23 94 510 012 63 96 173 769 80	365
11-13 220 0001	1201.C4	357
11-13 220 0002	1201.55 1201.A7 1201.C5 1201.C6 1201.E0	357
11-13 220 0003	1201.G0	359
11-13 220 0004	1201.G1 1201.G9 16 094 176 80	361
11-13 220 0004/HD	1201.G1 1201.G9 16 094 176 80	361
11-13 220 0005	1201.A8	356
11-13 220 0006	1201.G2 1609417180	366
11-13 220 0008	1201.E9 1201.F6	359
11-13 220 0014	1201.C9 1201.H5	362
11-13 220 0017	1201.E1 1201.E7 1201.F4 1201.F5 1201.G4 1201.G5 1201.J2 1201.K1 1201.L2	367

MEYLE no.	Ref. no.	Page
<b>Citroën</b>		
	1609417480	
11-13 220 0019	1201.H0 1201.J0 1201.L1 1201.L3	364
11-13 220 0019/HD	1201.H0 1201.J0 1201.L1 1201.L3	365
11-13 220 0020	1201.H8 98 015 733 80	363
11-13 220 0021	1201.H7 1201.J6 1610278080 16 230 987 80 16 371 729 80	367
11-13 220 0023	1201.H6	362
11-13 220 0024	1201.J4 1201.K0	363
11-13 220 0025	1201.J9 1201.K4	364
11-13 220 0026	9803442480	369
11-13 220 0027	98 030 943 80	368
11-13 220 0028	16 289 417 80	368
11-14 009 0009	16 114 228 80 5751.E6 5751.F4	303
11-14 009 0012	16 138 384 80 5751.57 5751.96 96 333 152 96 429 657	304
11-14 030 0007	1844.91 1844.C0	424
11-14 030 0014	1844.C6 1844.C7	424
11-14 030 0015	16 087 273 80 1807.GR	414
11-14 030 0017	1806.93 1806.A6 1806.J8	416
11-14 030 0019	1807.GW	417
11-14 030 0024	1813.L2 98 023 189 80	421
11-14 030 0028	1806.27 1806.68	414

MEYLE no.	Ref. no.	Page
<b>Citroën</b>		
	1806.H1 1854.20 9622739380	
11-14 030 0029	1807.N7 1809.28	418
11-14 030 0030	1807.GP	417
11-14 030 0031	1839.97 1839.H7 1839.H8 1839.J1	422
11-14 030 0086	1806.A0 1806.H0	416
11-14 030 0184	1807.FF 1807.GJ	417
11-14 030 1001	9805734780 9808838680	426
11-14 033 0772	3307.72 3307.85	642
11-14 033 5016	16 239 483 80 3307.56 3350.16 E268403	631
11-14 033 5017	3350.17	631
11-14 033 5029/S	3326.27 3350.21 3350.29	627
11-14 035 2320	3523.20 3523.73	511
11-14 036 0000	1434.13 1434.F6	406
11-14 036 0001	1434.C8	406
11-14 036 0002	1434.45	404
11-14 036 0003	0382.HK 0382.NY	402
11-14 036 0004	0382.FN 0382.LW 0382.LX	401
11-14 036 0005/HD	0382.JC 0382.KA	400
11-14 036 0006	1434.15	404
11-14 036 0007/HD	0382.GK 0382.HP 0382.PN 0382.PP	403
11-14 036 0008	0382.EN	399
11-14 036 0009	0382.CR	399

MEYLE no.	Ref. no.	Page
<b>Citroën</b>		
11-14 036 0010	0382.PJ	403
11-14 036 0011	0382.LJ	400
11-14 036 0012	0382.GS	399
11-14 036 0013	0382.LA	400
11-14 036 0014	0382.GW 98 012 806 80	405
11-14 036 0015	0382.GV 0382.PK 98 012 805 80	405
11-14 036 0016	0382.LY	401
11-14 036 0017	0382.FE 0382.PZ	403
11-14 036 0018	96 769 949 80	404
11-14 036 0019	0382.EY 0382.NZ	402
11-14 051 0001	5131.71	562
11-14 053 1001	5705.AS	302
11-14 135 0001	2209.40 9730.AE	233
11-14 136 0001	2263.33	233
11-14 139 0001	2209.40	406
11-14 180 0001	1809.16	419
11-14 180 0004	1809.21 1809.29	419
11-14 184 0002	1844.A8 9653126680	424
11-14 184 0005	1844.72	423
11-14 184 0009	1846.66	425
11-14 184 0015	1844.36 1844.68	422
11-14 184 0016	1806.28 1806.74	413
11-14 184 0024	1827.10	421
11-14 184 0025	1844.75	423
11-14 184 0030	1806.69	415
11-14 184 1013	1827.23 1844.47 1844.77 96171996	422
11-14 223 0000	1323.T9 98 007 772 80	344
11-14 223 0002	1323.X6	344
11-14 223 0003	1323.A3 96 811 616 80	344
11-14 236 0000	1253.H6 1253.P8	347

MEYLE no.	Ref. no.	Page
<b>Citroën</b>		
	96 752 809 80 98 120 285 80	
11-14 236 0001	1253.F0 1253.F8 1253.G7 1253.K2 1253.K4 1253.K7	346
11-14 236 0002	1250.G1 1250.G2 1250.G4 1250.G5 1253.GP 1253.K1 1253.Q8 1253.QP	346
11-14 238 0000	1306.C9 1306.E4	345
11-14 322 0001	1109.R7 E149104	410
11-14 322 0002	1109.Y6	411
11-14 323 0001	1906.67 1906.C3	394
11-14 323 0002	1906.33 1906.43 1906.C1 96 098 964	393
11-14 323 0003	1901.97 1904.46 1906.E6 98 097 210 80	397
11-14 323 0005	16 141 119 80	391
11-14 323 0006	1901.78 1901.95 96 494 488 80 E148068	392
11-14 352 0005	3523.49 91 515 653	517
11-14 352 0010	3523.99 3523.AA 3523 AT	514
11-14 412 0001	-	624
11-14 495 0000	3287.A9	190
11-14 495 0001	3293.06	191
11-14 495 0006	3293.02 3293.34	192

MEYLE no.	Ref. no.	Page
<b>Citroën</b>		
11-14 495 0007	3293.20	191
11-14 495 0012	3287.88	190
11-14 498 0009	3273.87 3273.88	210
11-14 498 0010	3272.18 95 644 403	196
11-14 498 0012	3272.FT 3273.CY	224
11-14 498 0013	3272.FG 3272.KL 3272.LP	219
11-14 498 0016	3272.NP 3272.NQ 3272.SE 3272.SF 3273.NP 3273.NQ	220
11-14 498 0017	3272.1X	214
11-14 498 0018	3273.AH 3273.AJ 3273.KP	225
11-14 498 0020	3273.SV 3273.SW	227
11-14 498 0024	3272.GE 3272.GG 3273.EG	217
11-14 498 0028	16 080 326 80 16 087 326 80 16 089 577 80 3272.VT 3272.VV 98 013 885 80 98 030 195 80 98 039 595 80	194
11-14 498 0029	16 072 371 80 16 089 578 80 98 016 112 80 98 039 596 80	193
11-14 498 0030	3272.PV 3272.PW	203
11-14 498 0033	3273.QH 3273.VN 3273.VP	213
11-14 498 0036	16 133 066 80 98 087 714 80	195
11-14 498 0037	3272.VW	204



MEYLE no.	Ref. no.	Page
<b>Citroën</b>		
	3272.VX	
11-14 498 0038	3273.WJ 3273.WK	214
11-14 498 0039	16 126 902 80 3273.WA 3273.WC 98 010 486 80	195
11-14 498 0051	16 105 615 80 16 133 066 80 16 173 005 80 96 775 614 80 96 779 151 80 98 066 998 80 98 087 714 80 98 095 283 80 98 111 764 80 98 111 767 80	231
11-14 498 0052	3272.VW 3272.VX 3273.WJ 3273.WK	221
11-14 498 0053	3272.NR 3272.VP 3273.NR 3273.WA	226
11-14 525 0001	4806.55	167
11-14 525 0002	4806.56 96 080 322	167
11-14 525 0006	4806.A1	172
11-14 525 0007	4806.C0	173
11-14 525 0008	4806.E1	173
11-14 525 0009	4806.E2	173
11-14 525 0010	4806.85 4806.E9 96 132 698	175
11-14 525 0011	4806.F6 4806.J5	175
11-14 525 0016	4806.64	167
11-14 525 0017	4806.65 96 124 223	168
11-14 525 0020	4806.A0	172
11-14 525 0024	4806.67	168
11-14 525 0025	4806.70 4806.C3 4806.F3	168
11-14 525 0026	4806.71	169

MEYLE no.	Ref. no.	Page
<b>Citroën</b>		
11-14 525 0027	4806.82	169
11-14 525 0028	4806.96	171
11-14 525 0029	4806.A6	172
11-14 525 0030	4806.C2 4806.F2	175
11-14 525 0033	4806.72	169
11-14 525 0036	4806.E3	174
11-14 525 0037	4806.84 4806.91 4806.A8 4806.A9 4806.E0	170
11-14 525 0038	4806.97	171
11-14 525 0039	4806.98	171
11-14 525 0040	96 109 017	179
11-14 525 0041	96 037 346	178
11-14 525 0045	91 515 816 91 518 816	178
11-14 525 0049	4806.G4	176
11-14 525 0050	4806.G5	177
11-14 525 0053	4806.E8 4806.K3	174
11-14 525 0054	4806.E7 4806.K2	174
11-14 525 0055	4806.F9	176
11-14 525 0056	4806.G0	176
11-14 531 0001	4402.F0	186
11-14 531 0005	4402.93 95 659 673	181
11-14 531 0006	4402.94 95 659 674	181
11-14 531 0007	4402.90 95 608 853	180
11-14 531 0008	4402.91 95 608 854	180
11-14 531 0009	4402.A0 95 668 069	182
11-14 531 0010	4402.A1 95 668 070	182
11-14 531 0013	4402.F1	186
11-14 531 0015	4402.F2	187
11-14 531 0016	4402.A5	184
11-14 531 0020	4402.C8 4402.E3 4402.E5	185
11-14 531 0021	4402.C6	185

MEYLE no.	Ref. no.	Page
<b>Citroën</b>		
	4402.E7 4402.E8	
11-14 531 0022	4402.A4	183
11-14 531 0023	4402.A3 4402.E4	183
11-14 531 0024	4402.A8 4402.C3	184
11-14 531 0025	4402.E6	186
11-14 531 0026	4402.A2	183
11-14 531 0027	4402.C7	185
11-14 533 0000	4241.E8 4241.J6 4241.L3 95 659 671	150
11-14 533 0000/K	4241.E8 4241.J6 4241.L3 95 659 671	150
11-14 533 0001	4241.J8 4241.K8 4241.L6	157
11-14 533 0002/K	4241.24 4241.E5 95 659 676	145
11-14 533 0003	4241.G3 4241.L4 95 659 470	155
11-14 533 0003/K	4241.G3 4241.L4 95 659 470	155
11-14 533 0003/S	4241.G3 4241.L4 95 659 470	156
11-14 533 0004	4241.G6 4241.K1 4241.K2 4241.K3	151
11-14 533 0004/K	4241.G6 4241.K1 4241.K2 4241.K3	152
11-14 533 0017	4241.E7 95 619 515 95 653 213 95 655 344	145
11-14 533 0018	4241.N2	159

MEYLE no.	Ref. no.	Page
<b>Citroën</b>		
11-14 533 0018/K	4241.N2	160
11-14 533 0019	4241.L0	153
11-14 533 0021	4241.N3	161
11-14 533 0021/K	4241.J8 4241.K8 4241.L6	157
11-14 533 0023/K	4241.L0	153
11-14 533 0024	4241.J8 4241.K8 4241.L6 4242.22 4402.C6 4402.E7 4402.E8	158
11-14 533 0026	4241.5F 4241.6C 4241.E8 4241.J6 4241.L3 4242.29 4402.93 4402.94 95 659 671 95 659 673 95 659 674	151
11-14 533 0027	4241.4L 4241.4Z 4241.7E 4241.9A 4241.J5 4402.A8 4402.C3	145
11-14 533 0028	4241.L0 4242.02 4242.33 4402.C8 4402.E3 4402.E5	153
11-14 533 0032	4241.3L 4241.5Y 4241.6F 4241.8R 4241.G3 4241.L4 4242.05 4242.06	156

MEYLE no.	Ref. no.	Page
<b>Citroën</b>		
	4402.97 4402.98 95 659 470 95 668 067 95 668 068	
11-14 533 0033	4241.5J 4241.6E 4241.6G 4241.8P 4241.G6 4241.K1 4241.K2 4241.K3 4242.30 4402.A2	152
11-14 533 0036	4241.N2 4242.16 4242.17 4242.28 4402.F0	160
11-14 533 0039	4241.6H 4241.8N 4241.8P 4241.G6 4241.K1 4241.K2 4241.K3 4242.31 4402.C7	144
11-14 533 0040	4241.N3 4242.20 4242.44 4402.F1	165
11-14 533 0041/K	4241.N3	161
11-14 610 0001	3523.98	513
11-14 610 0004	3523.81	523
11-14 610 0005	3523.82	523
11-14 610 0006	3523.83	523
11-14 610 0009	3523.93	513
11-14 610 0010	3523.95 3523.AR	513
11-14 610 0011	3523.84	512
11-14 610 0012/HD	3523.75	522
11-14 610 0013/HD	3523.92	512
11-14 610 0015/HD	96 110 483 96 111 043	518

MEYLE no.	Ref. no.	Page
<b>Citroën</b>		
11-14 610 0016/HD	3523.91 3523.CW	512
11-14 610 0017	3523.43	511
11-14 610 0018	3523.AQ	514
11-14 610 0020	3523.CC	515
11-14 610 0021	3523.CE	515
11-14 610 0023	3523.94 3523.AP	533
11-14 610 0025	3520.S0 3520.S1 3521.P1 3521.P2	509
11-14 610 0026	3520.S0 3520.S1 3521.P1 3521.P2	509
11-14 610 0027	3523.94 3523.AP	524
11-14 610 0030	3523.CA	515
11-14 610 0031	3523.AZ	514
11-14 610 0033	3656.04 3657.04	524
11-14 610 0034	3520.R8 3521.N9	520
11-14 610 0037	96 760 321 80	518
11-14 610 0038	16 073 029 80 16 073 030 80 3520.P6 3520.R8 3521.H0	519
11-14 610 0039	3521.H1 3521.K6 3521.N9	522
11-14 610 0040	3520.S9 3520.W1 3520.W2 3521.Q0 3521.S4 3521.S5	521
11-14 610 0041	3520.X6 3521.T7	521
11-14 610 0043	3523.CN 3523.CZ 3523.EA	516
11-14 610 0054	96 76 035 280	519
11-14 610 0055/HD	3523.CP	516

MEYLE no.	Ref. no.	Page
<b>Citroën</b>		
	3523 EC 3523 EE	
11-14 615 0000	5094.69	536
11-14 615 0002	5094.A8	539
11-14 615 0003	5094.65	535
11-14 615 0005	5094.59	535
11-14 615 0007	5094.A6	539
11-14 615 0010	5094.56	535
11-14 615 0013	1612736480 5081.N9	533
11-14 615 0013/S	1612736480 5081.N9	544
11-14 615 0014	5094.88 5094.E0	540
11-14 615 0015	5094.E5	541
11-14 615 0016	5094.E4	541
11-14 615 0017	5094.89 5094.E3	536
11-14 615 0018	5094.E7	542
11-14 615 0022	5094.66	536
11-14 615 0029	5094.C5	540
11-14 615 0031	5094.A9	539
11-14 615 0032	5094.99	538
11-14 615 0033	5081.P3 9674746280 9674746380	534
11-14 615 0034	5094.A0	538
11-14 615 0035	5094.98	543
11-14 615 0036	5081.83	534
11-14 615 0036/S	5081.83	544
11-14 615 0037	5094.F1	542
11-14 615 0038	5094.91	537
11-14 615 0040	5094.C6	540
11-14 615 0045	5094.C4 5094.E2	541
11-14 615 0046	5094.F2	543
11-14 615 0047	5094.E6	542
11-14 620 0000	4066.20 91 510 923	434
11-14 620 0003	4066.41	434
11-14 620 0005	4066.73	436
11-14 620 0006	4066.16	434
11-14 620 0007	4066.43	435
11-14 620 0008	4066.44	435
11-14 620 0019	4066.69	436
11-14 620 0024	-	438

MEYLE no.	Ref. no.	Page
<b>Citroën</b>		
11-14 620 0025	16 108 175 80	433
11-14 620 0026	4066A3	438
11-14 631 0000	4007.KK	429
11-14 631 0001	4007.HZ 4007.LA 4007.WQ	432
11-14 631 0003	-	433
11-14 631 0004	4007.57 4007.V7	430
11-14 631 0005	4007.RZ 4007.ZR	432
11-14 631 0006	16 736 061 80 4007.KL	429
11-14 631 0007	4007.BE	427
11-14 631 0009	4007.R3 4007.W1 96 271 468 80	431
11-14 631 0010	4007.CK	428
11-14 631 0011	4007.AN 4007.JF	427
11-14 631 0013	4007.CJ	428
11-14 631 0014	14 402 003 80 4007.TC	430
11-14 631 0016	4007.H0 4007.JC 4007.WL	432
11-14 631 0018	4007.VQ	431
11-14 640 0000	-	574
11-14 640 0001	5033.23 5254.13	575
11-14 640 0004	5033.39 5254.19	575
11-14 640 0008	5033.E0 5254.37	575
11-14 641 0003	5031.77 5038.85 9681330980	620
11-14 641 0003/S	5038.85 9804776380 9821040880	620
11-14 641 0004	16 202 985 80 5035.39	623
11-14 641 0005	5038.78	619
11-14 641 0013	5038.87 5038.A4 5038.E3	621

MEYLE no.	Ref. no.	Page
<b>Citroën</b>		
11-14 641 0014	5038.89 5038.A3 5038.C9 5038.E2	621
11-14 641 0015	16 076 912 80 5038.F3	616
11-14 641 0016	16 076 909 80 5038.F4	616
11-14 641 0017	5038.E6	621
11-14 641 0018	5035.29 5035.38 5035.43 5035.45 5035.55	624
11-14 641 0019	5038.15	618
11-14 641 0021	5038.G4 9813916080	583
11-14 641 0022	5038.G6 5038.H4 96 708 307 80 96 837 389 80 98 113 705 80	622
11-14 641 0025	5038.G6 5038.H4 9670830780 9683738980 98 113 705 80	583
11-14 641 0030	5031.79 5038.87 5038.A4 5038.E3	581
11-14 641 0031	5031.78 5038.89 5038.A3 5038.C9 5038.E2	581
11-14 641 0032	98 055 199 80	623
11-14 641 1001	5038.41 5038.72	619
11-14 641 1001/S	5038.41 5038.72	582
11-14 641 1002	5038.42 5038.74	619
11-14 641 1002/S	5031.71 5038.42 5038.74	580

MEYLE no.	Ref. no.	Page
<b>Citroën</b>		
11-14 641 1003/S	9800479780 9800480380 9817592480	584
11-14 650 0001	3350.30	628
11-14 650 0002	16 239 485 80 3326.40 3350.27 3350.91	631
11-14 650 0006	3350.32 E268406	632
11-14 650 0007	16 066 235 80 16 239 488 80 16 364 102 80 3350.69 3350.84 3350.97 E268416	625
11-14 650 0008	16 077 041 80 16 131 351 80 16 239 422 80 3350.82 3646.C0 3647.C0	632
11-14 650 0010	3350.18 95 603 182 95 654 075	632
11-14 650 0012	16 109 114 80 6822.JL	633
11-14 650 0013	16 063 751 80 3326.63 3326.69	627
11-14 650 0014	16 063 750 80 3326.62 3362.62	625
11-14 650 0015	16 239 450 80 3350.72 3350.86 3350.92 E268570	628
11-14 650 0016	16 137 171 80 16 179 697 80 3350.93	629
11-14 650 0017	16 101 376 80 16 188 452 80 16 322 655 80 16 478 573 80	626

MEYLE no.	Ref. no.	Page
<b>Citroën</b>		
11-14 652 0001	3307.64	638
11-14 652 0003	3307.76	643
11-14 710 0001	5131.72	567
11-14 710 0005	5131 C9	563
11-14 710 0007	5152.61	565
11-14 710 0013	5131.63 5131 65	562
11-14 710 0015	5131.C1 5131.C2 5131.C6	563
11-14 710 0017	5131.A4 5131 A5	562
11-14 710 0018	5131.H4	564
11-14 710 0019	5131.H1 96 810 170 80	564
11-14 710 0020	5131.E0	517
11-14 710 0022	5131.C3	517
11-14 710 0024	5131.G4	563
11-14 710 0025	5131.47	561
11-14 710 0026	5152.66 5152.67 5152.68	565
11-14 710 0026	5152.66 5152.67 5152.68	565
11-14 710 0029/HD	5131.C4 9801049980	519
11-14 715 0000	5172.58	543
11-14 740 0001	-	576
11-14 740 0002	-	576
11-14 741 0001	5142.34	622
11-14 741 0002	5142.48	622
11-14 742 0000	5166.63	584
11-14 742 0001	5166.68 5166.95	586
11-14 742 0002	5166.73	585
11-14 742 0004	5166.88	585
11-14 750 0001	3748.17 3748.39 E268418 E268422	633
11-14 750 0004	3350.25	627
11-14 750 0009	3748.31 3748.45	643
11-14 750 0013	3748.88	644
11-14 750 0014	16 137 170 80	640

MEYLE no.	Ref. no.	Page
<b>Citroën</b>		
	3748.68 3748.80	
11-14 750 0015	16 077 039 80 3748.28 3748.43 E268425	644
11-14 750 0016	16 077 043 80 16 239 424 80 3748.86 3748.87	640
11-14 750 0018	16 239 466 80 3350.28	644
11-14 750 0020	3730.32	629
11-14 750 0022	16 137 173 80 3748.36 3748.44	645
11-14 750 0025	3748.83 E268542	634
11-14 750 0027	3748.76	645
11-14 750 0028	3748.77 E268579	634
11-14 750 0029	16 109 116 80 16 239 456 80 3748.94	634
11-14 750 0030	3701.68 3701.74 3748.78	646
11-14 750 0031	3748.32	646
11-14 750 0032	3748.74	646
11-14 750 0034	16 077 044 80 16 109 120 80 3748.85	638
11-14 752 0000	3748.37	647
11-14 752 0001	3739.34 3748.95 3748.99 3748.A3 4209.F8	641
11-14 752 0002	3748.96 3748.A0	640
11-14 752 0004	98 037 361 80	642
11-14 752 0006	16 062 917 80	636
11-14 752 0007	16 099 105 80	638
11-14 752 0008	16 099 103 80	637
11-14 752 0009	98 190 747 80	642
11-14 752 0010	3748.A5	641

MEYLE no.	Ref. no.	Page
<b>Citroën</b>		
11-14 753 0003	5131.45	566
	5132.49	
	5132.62	
	5132.65	
	5154.08	
	5154.09	
	5154.10	
	5176.17 9556384280	
11-14 753 0004	5131.64	566
	5132.55	
	5133.22	
	5154.11	
	9503035580	
	9627434580	
11-14 753 0006	5131.64	567
	5132.55	
	5133.22	
	5154.11	
	9503035580 9627434580	
11-14 753 0007	5131.48	567
	5131.49	
11-14 800 0002	4545.A9	246
	4545.G6	
11-14 800 0003	4545.75	237
11-14 800 0004	4545.32	235
	4545.45	
11-14 800 0005	4545.33	235
	4545.36	
	4545.46	
	4545.56	
11-14 800 0007	4545.E5	243
11-14 800 0008	14 99 936 080	245
	4545.E9	
11-14 800 0009	4545.F0	245
11-14 800 0011	4545.E4	249
	4545.J9	
11-14 800 0012	4545.J8	248
11-14 800 0016	4545.08	235
	4545.L0	
11-14 803 0001	1019 807 00	276
	1628.CX	
	1628.HV	
	96 229 977	
	96 36 148 880	

MEYLE no.	Ref. no.	Page
<b>Citroën</b>		
	96 36 148 882	
11-14 803 0003	1618.Q5	276
11-14 803 0005	1618.HC	276
	96 651 040 80	
11-14 803 0007	1628.3W	277
	1628.V4	
	96 121 278 17	
	96 127 346	
11-14 803 0010	1628.9A	277
	1628.YK	
	96 230 003 80	
11-14 810 0000	1920.LS	289
11-14 810 0001	96 774 933 80	288
11-14 810 0002	96 887 250 80	288
11-14 810 0003	1920.5V	253
	1920.AV	
	96 399 999 80	
11-14 810 0004	1920.GJ	256
	96 436 957 80	
	96 648 938 80	
11-14 811 0000	1920.FR	273
	1920.LT	
	96 453 114 80	
11-14 811 0001	5946.35	274
11-14 811 0002	5946.23	274
	5946.28	
11-14 811 0003	5946.22	274
	5946.30	
11-14 812 0002	1920.FT	292
11-14 812 0003	1920.AC	290
	4574.03	
	4574.05 96 394 189 80	
11-14 812 0004	1920.AJ	290
	96 393 814 80	
11-14 812 0005	1920.QR	291
	96 634 808 80	
	98 055 003 80	
11-14 812 0006	1920.GH	292
	96 427 899 80	
11-14 812 0007	1920.0E	292
	1920.9H	
11-14 812 0008	1920.7T	293
	96 317 166 80	
11-14 812 0009	1920.LH	290
	96 519 312 80	

MEYLE no.	Ref. no.	Page
<b>Citroën</b>		
11-14 812 0010	1920.LG 96 493 965 80	293
11-14 812 0011	1563.J4 1920.J7 96 092 693	294
11-14 812 0012	1920.GF 1920.JL 1920.PJ 96 554 327 96 749 432 80	273
11-14 813 0000	1920.1H	295
11-14 821 0000	1338.87	281
11-14 821 0003	1338.66	282
11-14 821 0004	1338.50	282
11-14 821 0005	1338.10 1338.55 1338.56 1338.84 96 033 248	282
11-14 821 0006	1338.F3 1338.F8 96 566 364	283
11-14 821 0007	0242.68 0242.85 0242.87 96 018 422	283
11-14 821 0008	0242.83	284
11-14 821 0009	1338.93 1338.F7	284
11-14 821 0010	1338.47 1338.78	278
11-14 821 0011	1338.09 96 018 426	284
11-14 821 0012	1338.C0 96 335 188 80	285
11-14 821 0014	1338.43	285
11-14 821 0015	1920.C4 95 640 493	286
11-14 821 0017	1264.33	296
11-14 860 0000	5960.69 5960.F6	260
11-14 860 0001	5960.79 5960.F9	261
11-14 860 0002	98 09 088 180	265
11-14 870 0001	16 099 303 80 6434.70	13

MEYLE no.	Ref. no.	Page
<b>Citroën</b>		
	6434.75 6434.92 6434.98 98 206 691 80	
11-14 870 0002	6434.58	12
11-14 870 0003	6434.60	12
11-14 870 0006	98 117 949 80	14
11-14 880 0009	5981.47 98 024 240 80	252
11-14 880 0010	98 032 997 80	252
11-14 885 0001	5970.94	268
11-14 885 0002	5970.80 5970.99 96 363 378	270
11-14 885 0003	5970.73 5970.A4	270
11-14 885 0004	5970.A5	271
11-14 885 0006	1104091 5970.85 96 51 710 680	267
11-14 885 0007	5970.75 5970.98	269
11-14 890 0000	98 048 694 80 98 182 324 80	298
11-14 890 0001	4534 50	297
11-14 890 0002	4534.21 4534.52	297
11-14 890 0003	16 064 804 80 4534.48 4534.63 4534.65	296
11-14 899 0000	4545.74	236
11-14 899 0003	4545.C1	241
11-14 899 0004	4545.C2 96 526 967	241
11-14 899 0005	4545.C4 96 461 258 96 584 207	241
11-14 899 0010	4545.50 96 217 756 96 227 489	236
11-14 899 0016	4545.57	236
11-14 899 0019	4545.C0 4545.67	246
11-14 899 0020	3349.09	625
11-14 899 0022	4545.K0	249



MEYLE no.	Ref. no.	Page
<b>Citroën</b>		
11-14 899 0023	4545.85 96 382 908	238
11-14 899 0024	96 748 522 80	250
11-14 899 0025	4545.62 96 218 046	250
11-14 899 0026	98 000 384 80	251
11-14 899 0028	98 050 660 80 98 050 665 80	251
11-14 899 0029	98 00 035 980	250
11-14 899 0030	98 000 385 80	251
11-14 899 0031	4545.C9 96 469 709 96 469 709 80	242
11-14 899 0032	4545.E6 96 585 998 96 585 998 80	244
11-14 899 0033	4545.F8 4545.H2	247
11-14 899 0034	4545.C8 96 469 725 80	242
11-14 903 1002	16 114 252 80 16 369 960 80 5751.C3 5751.G7 96 520 736 80	301
11-14 903 1003	16 114 245 80 5751.97 5751.A2 5751.C8 96 496 758 80 96 520 466 80	301
11-14 919 0009	1525.KJ 1525.Q4 96 326 720 80 96 803 528 80 96 803 530	398
11-14 919 0011	1525.PY 16 074 019 80	398
11-15 521 0001	16 188 599 80 4249.C4 95 575 080 95 585 454 95 661 746 E169007	72
11-15 521 0006	16 188 635 80 4246.J3	80

MEYLE no.	Ref. no.	Page
<b>Citroën</b>		
	4249.H5 E169008	
11-15 521 0007	4246.L8 4249.J1	54
11-15 521 0012	16 188 598 80 1690.04 4249.C5 95 027 199 95 638 635 95 661 810 95 661 848 E169004	77
11-15 521 0015	16 188 603 80 4246.H9 4249.L4 E169013	80
11-15 521 0017	16 131 913 80 16 188 904 80 16 290 588 80 4246.W1 4249.16 4249.83 4249.G1 E169141	73
11-15 521 0018	16 064 014 80 16 188 627 80 4246.W2 4249.18 4249.84 4249.J6 E 169 142	41
11-15 521 0028	4246.K0 4249.44 4249.A9	63
11-15 521 0030	16 427 604 80 4249.93 4249.K1	74
11-15 521 0030/PD	16 427 604 80 4249.93 4249.K1	75
11-15 521 0031	16 188 644 80 1690.03 4249.96 91 517 695 95 661 747 E169003	81

MEYLE no.	Ref. no.	Page
<b>Citroën</b>		
11-15 521 0031/PD	16 188 644 80 1690.03 4249.96 91 517 695 95 661 747 E169003	81
11-15 521 0032	16 188 597 80 1690.02 4246.R5 4246.W6 4249.F0 95 632 048 95 667 809 E169002	82
11-15 521 0033	16 086 916 80 16 131 912 80 16 188 903 80 4246.R2 4246.R4 4249.82 E 169 020	55
11-15 521 0033/PD	16 086 916 80 16 131 912 80 16 188 903 80 4246.R2 4246.R4 4249.82 E 169 020	56
11-15 521 0034/PD	16 118 417 80 16 188 649 80 4249.64 4249.81 4249.86 4249.J8	66
11-15 521 0035	16 188 628 80 4246.P2 4249.H7 E169146	54
11-15 521 0035/PD	4246.P2 4249.H7	55
11-15 521 0036	1690.14 4246.R9 4249.A5	56
11-15 521 0036/PD	1690.14 4246.R9 4249.A5	57

MEYLE no.	Ref. no.	Page
<b>Citroën</b>		
11-15 521 0037	16 138 198 80 16 188 623 80 16 306 331 80 4246.J0 4249.55 4249.94 E169256	70
11-15 521 0037/PD	16 138 198 80 4246.J0 4249.55 4249.94	70
11-15 521 0038	16 063 086 80 16 188 625 80 4249.L3	82
11-15 521 0038/PD	16 063 086 80 16 188 625 80 4249.L3	83
11-15 521 0039	4249.88	69
11-15 521 0039/PD	4249.88	69
11-15 521 0040/PD	4249.L6	75
11-15 521 0041	16 427 650 80 96 752 233 80 9805961480	79
11-15 521 0041/PD	16 427 650 80 96 752 233 80 9805961480	79
11-15 521 0042	16 188 596 80 1690.01 4249.95 91 508 338 95 661 748 96 070 525 E169001	83
11-15 521 0042/PD	16 188 596 80 1690.01 4249.95 91 508 338 95 661 748 96 070 525 E169001	71
11-15 521 0045/PD	16 118 414 80 16 188 647 80 4249.F6	72
11-15 521 0046/PD	98 052 601 80	78
11-15 523 0003	4247.24 91 509 908	139

MEYLE no.	Ref. no.	Page
<b>Citroën</b>		
11-15 523 0005	4247.48	141
11-15 523 0008	16 188 619 80 4246.W9 4246.X8 4249.53 4249.90 E 169 198	59
11-15 523 0008/PD	16 188 619 80 4246.W9 4246.X8 4249.53 4249.90 E 169 198	59
11-15 523 0009	4249.72 4249.C1 E 169 157	84
11-15 523 0009/PD	4249.72 4249.C1 E 169 157	67
11-15 523 0010	1691.15 4249.F5 95 661 749 96 012 770 E169115	76
11-15 523 0010/PD	1691.15 4249.F5 95 661 749 96 012 770 E169115	77
11-15 523 0011	4246.P4 4249.C0	71
11-15 523 0011/PD	4246.P4 4249.C0 4259.C9	76
11-15 523 0012/PD	16 118 415 80 16 188 648 80 4249.F7	73
11-15 523 0014	1609582880 16 427 763 80	47
11-15 523 0014/PD	1609582880 16 427 763 80	48
11-15 523 0015	1609583080 16 427 764 80	48
11-15 523 0015/PD	1609583080	49
11-15 523 0030	4247.32 94 782 679 80	140

MEYLE no.	Ref. no.	Page
<b>Citroën</b>		
11-15 523 0031	4247.44 95 659 622	140
11-15 523 0038	4246.L6	84
11-15 523 0041	4246.Z9 4249.34 E169195 E169506 E169510	61
11-15 523 0046/PD	16 124 357 80 16 124 358 80	52
11-15 523 0047/PD	16 163 945 80	52
11-15 523 4008	16 118 408 80 16 192 388 80 4249.45 4249.46	63
11-15 523 4101	4246.Z9 4249.34 E169195 E169506 E169510	62
11-15 523 4102	16 192 379 80 4249.19 4249.32 E169512	61
11-15 523 4103	16 092 499 80 16 192 387 80 4249.65 4249.66	67
11-15 523 4104	16 118 408 80 16 192 388 80 4249.45 4249.46	64
11-15 523 4105	16 238 351 80	53
11-16 010 0000	16 072 974 80 3640.60 3640.68 3640.70 3640.73	471
11-16 010 0004	13 004 730 80 3640.33	468
11-16 010 0005/HD	13 023 680 80 3640.32	470
11-16 010 0008	16 072 975 80 16 072 976 80 3640.50 3640.51	470

MEYLE no.	Ref. no.	Page
<b>Citroën</b>		
	3640.52 E459706 E459707	
11-16 010 0011	3640.54	471
11-16 010 0013	16 072 984 80 16 072 985 80 3640.56 3640.59 3640.61 3640.62 3640.65 3640.66	472
11-16 010 0014	16 109 346 80 3640.67 3640.76	472
11-16 010 0017	3640.77 98 093 384 80 98 194 181 80 98 194 182 80	473
11-16 010 0018	3640.58 3640.69 3640.72	472
11-16 010 0018/S	3640.58 3640.69 3640.72	525
11-16 010 0019	3640.57 3640.69 3640.72 3640.74	525
11-16 010 0025	3640.78	473
11-16 010 0027	98 186 575 80 98 345 990 80	474
11-16 010 0030	98 186 575 80 98 345 990 80	526
11-16 010 0031	16 072 986 80 3640.57 3640.74	524
11-16 010 0032	3640.57 3640.69 3640.72 3640.74	525
11-16 010 3347	16 072 950 80 3640 28 3640 34 3640.71 95 028 039	468

MEYLE no.	Ref. no.	Page
<b>Citroën</b>		
	96 233 739	
11-16 010 3356	16 144 392 80 3640.36 96 093 233	474
11-16 010 4087/HD	7 567 284	473
11-16 020 0005	3817.38 3817.44	456
11-16 020 0006	3817.37 3817.43	456
11-16 020 0008	16 073 214 80 3817.56	457
11-16 020 0009	16 086 522 80 16 109 351 80 16 289 504 80 16 357 723 80 3817.67	455
11-16 020 0010	16 086 523 80 16 109 352 80 16 289 503 80 16 357 721 80 3817.68	454
11-16 020 0011	16 073 215 80 3817.53 3817.59	458
11-16 020 0012	16 073 216 80 3817.54 3817.60	458
11-16 020 0013	3817.66	460
11-16 020 0014	3817.65	460
11-16 020 0015/HD	16 109 397 80 16 109 764 80 3817.69 3817.77	453
11-16 020 0016/HD	16 109 396 80 3817.70	460
11-16 020 0017	16 109 360 80 3817.63	459
11-16 020 0018	16 109 361 80 3817.64	459
11-16 020 0019	16 109 418 80 3814.A5 3817.73	455
11-16 020 0022	16 109 368 80 3817.76 3817.89	463
11-16 020 0023	16 109 365 80	462

MEYLE no.	Ref. no.	Page
<b>Citroën</b>		
	3817.75 3817.88	
11-16 020 0024	16 109 363 80 3817.92	463
11-16 020 0025	16 109 362 80 3817.91	463
11-16 020 0028	16 109 357 80 16 357 730 80 3817.71	461
11-16 020 0029	16 109 358 80 3817.72	461
11-16 020 0032	3817.94	464
11-16 020 0033	16 08 025 280 16 289 501 80	452
11-16 020 0034	16 08 025 180 16 289 502 80	451
11-16 020 0041/HD	98 203 400 80	466
11-16 020 0042/HD	98 203 401 80	467
11-16 020 4078	97 500 799 80	466
11-16 020 5042	16 073 206 80 4059.09 94 040 590 80	465
11-16 020 5703/HD	16 073 161 80 3817.18 3817.50	457
11-16 020 7529	16 073 209 80 4018.A3 4018.H4	464
11-16 030 0001	16 072 931 80 3812.C0 3812.C6 3812.E4 96 048 214	443
11-16 030 0008/HD	14 716 540 80 4018.A4	438
11-16 030 5749	16 109 385 80 96 136 394	450
11-16 030 7528	14 716 540 80 16 072 927 80 4018.A4	439
11-16 031 0006	3812.C8	444
11-16 031 0007	16 109 355 80 3812.E8	440
11-16 031 0008	3812.E3 3812.E7	446
11-16 031 0009	16 072 933 80	444

MEYLE no.	Ref. no.	Page
<b>Citroën</b>		
	3812.E1	
11-16 031 0011/HD	3812.E1	445
11-16 031 0012/HD	1610976380 4001 A1 4001 E4 4001 E5	441
11-16 031 0013/HD	3812.F1	447
11-16 031 0014/HD	16 080 253 80	450
11-16 031 0015	3812.E0	444
11-16 031 0017	3812.A6	443
11-16 031 0019	16 072 917 80 3812.E5	445
11-16 031 0020	16 109 423 80 3812.F0	447
11-16 031 0021	16 109 369 80 3812.F2	447
11-16 031 0022	1610976380 4001.A1 4001.E4 4001.E5	441
11-16 031 0023	16 109 377 80 3812.F3	440
11-16 031 0024	3812.F4	448
11-16 031 0025	16 109 359 80 16 357 705 80 3812.E9	446
11-16 031 0026	4001.33	448
11-16 031 0030	16 109 425 80 16 357 708 80 3812.F7	441
11-16 031 0031	16 080 253 80	451
11-16 031 0032	16 085 321 80	439
11-16 031 0034/HD	4001.33	449
11-16 031 0035/HD	98 203 402 80	450
11-16 031 0036	16 231 408 80	442
11-16 031 0037/HD	16 112 423 80	442
11-16 031 0039	16 488 366 80 16 488 367 80	442
11-16 035 0000/HD	5175.CE 98 011 457 80	527
11-16 035 0001/HD	5175.CC 98 011 458 80	528
11-16 035 0002	5175.CF	527
11-16 050 0009/HD	16 073 146 80 16 431 889 80 3521.G8	495

MEYLE no.	Ref. no.	Page
<b>Citroën</b>		
	3521.K3 3521.P3 E455006	
11-16 050 0010/HD	16 073 145 80 16 431 885 80 3520.K8 3520.P3 3520.S2 E455005	486
11-16 050 0013	16 073 118 80 3521.64 3521.83 3521.85 3521.C9 3521.K4 3521.L0	493
11-16 050 0014	3521.65 3521.H2 3521.J3	491
11-16 050 0019	16 073 048 80 16 073 137 80 16 227 103 80 16 227 110 80 3520.L3 3520.L4 3520.L9 3520.N1 3520.P9 3520.Q0 3520.R0 3520.R1 3520.R2 3520.R3 3520.R4 3520.R5 3520.V1 3520.V5	482
11-16 050 0020	16 073 049 80 16 073 138 80 16 227 106 80 16 227 112 80 3521.H5 3521.H6 3521.J1 3521.J2 3521.K8	491

MEYLE no.	Ref. no.	Page
<b>Citroën</b>		
	3521.L1 3521.N1 3521.N2 3521.N3 3521.N4 3521.N5 3521.N6 3521.R2 3521.S2	
11-16 050 0023	16 073 117 80 3520.94 3520.C3 3520.C5 3520.G9 3520.P4 3520.P8	484
11-16 050 0030	3521.L2	506
11-16 050 0031	3520.Q1 96 502 568 80	507
11-16 050 0032	16 073 014 80 3520.96 3520.L1 3520.N4	483
11-16 050 0033	16 073 013 80 3521.66 3521.H3 3521.J4	492
11-16 050 0035	16 072 986 80 3640.57 3640.74	468
11-16 050 0036/HD	16 144 474 80 3520.F7 3520.F8 3520.H6 95 685 512	502
11-16 050 0037/HD	16 144 475 80 3521.A7 3521.A8 3521.E6 95 685 513	502
11-16 050 0038	16 073 030 80 3520.P6 3521.H0	475
11-16 050 0039	16 073 029 80 3521.H1 3521.K6	475



MEYLE no.	Ref. no.	Page
<b>Citroën</b>		
11-16 050 0040	3520.K3 3520.P0	484
11-16 050 0041	3521.G3 3521.K0	492
11-16 050 0047	3520.95 3520.L0 3520.N3	483
11-16 050 0048/HD	16 073 141 80 3520.J3 3520.J4 3520.K9 3520.Q3 3520.Q4 3520.Q5 3520.Q8 3520.V3 3520.V4 E455021	487
11-16 050 0049/HD	16 073 142 80 3521.F3 3521.F4 3521.L4 3521.L5 3521.L6 3521.L9 3521.R4 3521.R5 E455022	496
11-16 050 0050	16 073 046 80 3520.Q2	485
11-16 050 0051	16 073 047 80 3521.L3	493
11-16 050 0052	16 073 051 80 3521.N0 3521.N8 3521.S8	476
11-16 050 0053	16 073 050 80 3520.Q9 3520.R7 3520.W5	476
11-16 050 0063	3520.80 3520.92 94 511 355 80	481
11-16 050 0064	3520.81 3520.93 94 511 356 80	481

MEYLE no.	Ref. no.	Page
<b>Citroën</b>		
11-16 050 0065	3521.P1 3521.P2	494
11-16 050 0066	3520.S0 3520.S1	486
11-16 050 0067	3521.N9 3521.S0	494
11-16 050 0068	3520.R8 3520.V8	485
11-16 050 0071/HD	16 431 891 80 3521.R3	495
11-16 050 0072/HD	16 431 887 80 3520.V2	487
11-16 050 0073	3520.S9 3520.W1 3520.W2 96 639 808 80	488
11-16 050 0074	3521.Q0 3521.S4 3521.S5	496
11-16 050 0075	3520.X6 96 662 440 80	489
11-16 050 0076	3521.T7 96 662 439 80	497
11-16 050 0079/HD	3520.W7 3520.W8 3520.X1 3520.Y1 98 032 865 80	488
11-16 050 0080/HD	3521.S9 3521.T0 3521.T3 3521.V2 98 032 864 80	497
11-16 050 0081/HD	16 139 915 80 3520.T2 3520.T5 3520.T6 3520.T7 3520.T8 3520.T9	479
11-16 050 0082/HD	16 139 914 80 3521.Q3 3521.Q6 3521.Q7 3521.Q8 3521.Q9	478



MEYLE no.	Ref. no.	Page
<b>Citroën</b>		
	3521.R0	
11-16 050 0083	16 075 107 80 3521.P6 3521.S7 3521.T2	478
11-16 050 0084	16 075 106 80 3520.S5 3520.W4 3520.X0	477
11-16 050 0102	96 750 288 80 98 194 180 80 98 194 182 80	503
11-16 050 0103	96 750 318 80 98 194 179 80 98 194 181 80	503
11-16 050 0106	5175.CP	499
11-16 050 0107	5175.CN	499
11-16 050 0110/HD	98 056 074 80	504
11-16 050 0111/HD	16 431 893 80 98 056 073 80	480
11-16 050 3198	3520.51 91 504 358 91 516 335 91 516 336	500
11-16 050 3199	3521.34 91 516 334 91 516 337	500
11-16 050 6979	3520.79 95 658 979	501
11-16 050 6980	3520.78 95 658 978	501
11-16 060 0000/HD	16 073 250 80 16 109 302 80 5087.50 5087.57 5087.62 5087.64 5087.77 98 049 474 80	551
11-16 060 0001/HD	16 466 219 80 5087.45 5087.59 5087.66 5087.71 5087.74 96 288 787	553

MEYLE no.	Ref. no.	Page
<b>Citroën</b>		
	98 000 861 80 98 088 682 80	
11-16 060 0002/HD	5087.43 5087.60 96 324 274	554
11-16 060 0006/S	5087.37	545
11-16 060 0013/HD	5087.51	549
11-16 060 0014	16 073 261 80 5087.53	550
11-16 060 0015	16 073 262 80 5087.52	549
11-16 060 0016/HD	5178.46 5178.52 98 071 300 80	558
11-16 060 0017/HD	16 073 269 80 5087.54 5087.69 98 101 594 80	546
11-16 060 0018/HD	16 073 268 80 5087.55 5087.68 98 101 593 80	545
11-16 060 0019	5091.10	557
11-16 060 0020/HD	5087.56	550
11-16 060 0021/HD	5087.58	552
11-16 060 0022/S	1612736480 5081.N9	547
11-16 060 0024/HD	98 069 071 80 98 090 457 80	560
11-16 060 0025	5087.50 5087.62 5087.64 98 315 470 80	555
11-16 060 0026	16 073 234 80 16 466 219 80 5087.45 5087.59 5087.66 5087.71 5087.74 96 288 787 98 000 861 80 98 088 682 80 E459713	553
11-16 060 0028	5087.57 98 049 474 80	552





MEYLE no.	Ref. no.	Page
<b>Citroën</b>		
11-16 060 0030	5087.43 5087.60 96 324 274	554
11-16 060 0032	16 073 253 80 5087.51	549
11-16 060 0033	16 073 260 80 16 349 043 80 5178.46 5178.52 98 071 300 80	558
11-16 060 0034	16 073 268 80 5087.55 5087.68 98 101 593 80	546
11-16 060 0035	16 073 269 80 5087.54 5087.69 98 101 594 80	547
11-16 060 0036	16 109 305 80 16 349 096 80 5087.56	551
11-16 060 0037	16 109 303 80 5087.58	547
11-16 060 0040	16 073 225 80 16 348 838 80 5087.39 5087.42 5087.46 5087.61 E459719	548
11-16 060 0041/HD	98 090 901 80	561
11-16 060 0047/HD	5087.80	556
11-16 060 0048/HD	5087.81	556
11-16 060 5041/HD	16 073 230 80 16 348 824 80 5087.40 96 177 836	560
11-16 060 5046/HD	16 073 247 80 5084.38 5087.34 5087.38 5087.39 5087.42 5087.46 5087.48 5087.61	548

MEYLE no.	Ref. no.	Page
<b>Citroën</b>		
	96 152 213 E459720	
11-16 060 5707	96 103 814	560
11-16 323 0000	1906.77 1906.A5 1906.A6	395
11-16 610 0001	3523.CC 3523.CE 3640.77 96 750 288 80 96 750 318 80	533
11-16 610 0002	3520.W7 3520.W8 3520.X1 3520.Y1 3521.S9 3521.T0 3521.T3 3521.V2 3523.CN 3523.CP 3523.CZ 3523.EA 3523.EC 3523.EE 3640.77 98 032 864 80 98 032 865 80	531
11-16 610 0004/HD	16 072 975 80 16 072 976 80 3520.F7 3520.F8 3521.A7 3521.A8 3523.75 3640.50 3640.51 3640.52 95 685 512 95 685 513 96 110 483 96 111 043 E459706 E459707	532
11-16 610 0005	16 072 984 80 16 072 985 80	529



MEYLE no.	Ref. no.	Page
<b>Citroën</b>		
	16 073 050 80 16 073 051 80 3520.Q9 3520.R7 3520.W5 3521.N0 3521.N8 3521.S8 3523.CC 3523.CE 3640.56 3640.59 3640.61 3640.62 3640.65 3640.66	
11-16 610 0006	16 072 984 80 16 072 985 80 3520.T2 3520.T5 3520.T6 3520.T7 3520.T8 3520.T9 3521.Q3 3521.Q6 3521.Q7 3521.Q8 3521.Q9 3521.R0 3523.CN 3523.CP 3523.CZ 3523.EA 3523.EC 3523.EE 3640.56 3640.59 3640.61 3640.62 3640.65 3640.66	531
11-16 610 0009	3520.Q2 3521.L3	530
11-16 610 0010	16 227 103 80 16 227 106 80	530

MEYLE no.	Ref. no.	Page
<b>Citroën</b>		
	3520.L3 3520.L4 3520.L9 3520.N1 3520.P9 3520.Q0 3520.R0 3520.R1 3520.R2 3520.R3 3520.R4 3520.R5 3520.V1 3520.V5 3521.H5 3521.H6 3521.J1 3521.J2 3521.K8 3521.L1 3521.N1 3521.N2 3521.N3 3521.N4 3521.N5 3521.N6 3521.R2 3521.S2	
11-19 222 0000	1336.V3 96 415 222 80	347
11-19 222 0002	1351.FR	349
11-19 222 0003	1343.EZ 1343.LC	348
11-19 222 0004	1351.Z1	349
11-19 222 0005	1351.PK	349
11-19 222 0006	1343.HX	348
11-19 222 0008	1323.T1	347
11-26 613 0013	91516880 9455304219	612
11-26 623 0000	5202.K7 5202.K8 5202.N8 5202.S9 5202.TQ	592
11-26 623 0002	5202.LQ 5202.QG	593

MEYLE no.	Ref. no.	Page
<b>Citroën</b>		
	5202.QJ 5202.SG 5202.SJ 5202.WJ 5202.WL	
11-26 623 0003	5202.QH 5202.QK 5202.SH 5202.SK 5202.WK 5202.WN	593
11-26 623 0008	5202.EP 5202.ER 5202.P9 5202.Q0 5202.T8 5202.V6	590
11-26 623 0009	5202.EQ 5202.ES 5202.Q3 5202.T9 5202.V7	591
11-26 623 0012	5202.VG 5202.VK 5202.WE 5202.WG 5202.XJ 5202.YV 5202.YZ 5208.C4 5208.C7 98 045 869 80	595
11-26 623 0013	5202.WC 5202.WF 5202.WH 5202.XK 5202.YT 5202.YW 5202.YY 5208.C5 5208.C6 98 045 870 80	595
11-26 623 0018	5208.E6 5208.E8 5208.G2 5208.W7	614

MEYLE no.	Ref. no.	Page
<b>Citroën</b>		
	98 005 489 80	
11-26 623 0019	5208.E7 5208.E9 5208.G3 5208.W8 98 005 490 80	614
11-26 624 0001	5202.L6	589
11-26 715 0000	5206.N9 5206.R2 5206.TH	602
11-26 715 0006	5206.69 5206.S6	598
11-26 725 0002	-	615
11-26 725 0007	5206.F5 5206.F8 5206.G3 96 032 731 96 032 733 96 056 928 96 116 051 96 137 825 97 522 021 97 536 063	599
11-26 725 0011	5206.97 5206.L7 5206.L8 5206.L9 96 083 765	598
11-26 725 0012	5206.H1 5206.H2 5206.N7 5206.SX 5206.TA 5206.TQ 5206.V2	600
11-26 725 0016	-	615
11-26 725 0020	5206.ZV 5206.ZW	615
11-28 228 0000	1338.A0	354
11-28 228 0001	1336.Q1	350
11-28 228 0002	1336.Q2	350
11-28 228 0003	1336.Z0	352
11-28 228 0004	1336.V6	351
11-28 228 0005	96 758 493 80 96 764 095 80	355
11-28 228 0006	1336.AX	350

MEYLE no.	Ref. no.	Page
<b>Citroën</b>		
11-28 228 0007	1336.X2	351
11-28 228 0008	1338.23	353
11-28 228 0009	1336.Y9	352
11-28 228 0010	1336.Z2	352
11-28 228 0011	98 071 984 80	356
11-40 910 0008	8731.E5	4
11-40 910 0017	8731.G6	5
11-51 049 0012	0831.L7 0831.V1	306
11-51 049 0013	0831.86 0831.87 0831.S0 9400831869	306
11-51 049 0015	0831.55 0831.65 0831.66 0831.88 0831.89 0831.K2 0831.T4 0831.T6 831T4	307
11-51 049 0017	0831.L3 0831.P8 0831.R9 831R9	307
11-51 902 1014	0820.53 0829.29 0829.53 0829.54 97 535 002	305
11-51 902 2005	0830.37 0830.63 96099089 96201309	308
11-83 521 0017/PD	16 188 904 80 16 290 588 80 4246.W1 4249.16 4249.83 4249.G1 E169141	74
11-83 521 0018/PD	16 064 014 80 16 188 627 80 4246.W2 4249.18	42

MEYLE no.	Ref. no.	Page
<b>Citroën</b>		
	4249.84 4249.J6 E 169 142	
11-83 521 0032/PD	1690.02 4246.R5 4246.W6 4249.F0 95 632 048 95 667 809	58
112 129 0005	95 558 218 95 559 627	386
16-14 009 0012	16 114 229 80 5751.98 5751.C9 5751.G3 96 426 581 80 96 463 960 80 96 554 874 80	303
16-14 323 0000	1901.68 1901.70 1901.75 1901.85	391
16-14 495 0021	16 077 413 80 3287.C3	188
16-14 525 0002	4806 86	170
16-14 525 0005	96 075 425	179
16-14 531 0009	4402.97 95 668 067	181
16-14 531 0010	4402.98 95 668 068	182
16-14 531 0012	00 176 894 00 17 689 400 95 606 669	187
16-14 533 0000	4241.J5	149
16-14 533 0012	16 066 311 80 4241.P1	163
16-14 533 0012/K	16 066 311 80 4241.P1	163
16-14 533 0020	-	166
16-14 533 0039/K	4241.99 75521559 9404241998	144
16-14 533 0042/K	4241.H8 95661851	148
16-14 533 0043	4241.2S 4241.4T	141

MEYLE no.	Ref. no.	Page
<b>Citroën</b>		
	4241.H8 4402.70 94 044 027 08 95616883 95661851 ZF 099 388 68	
16-14 533 0048/K	95 659 661	165
16-14 610 0009	3523.50 3523.66 95 603 308 96 113 432	518
16-14 840 0003	2529.28	300
16-14 870 0003	16 096 881 80 6434.71 6434.76 6434.97 96 32 984 980	13
16-16 020 0041/HD	16 099 482 80 16 109 373 80 3817.80	452
16-16 020 0042/HD	16 09 948 380 16 109 374 80 3817.81	452
16-16 031 0005	3812.F6	448
212 319 0004	6447.J0	27
212 319 0012	6479.62 6479.E0	37
212 320 0012	6479.62	34
212 321 0020	1444.QV 1444.SQ	378
212 321 0021	1444.SG 1444.SR	377
212 321 0023	1444.XK	385
212 321 0028	16 316 899 80	389
212 326 0012/PD	6479.62	35
214 009 0004	6453.SG	305
214 030 0004	1807.S7	419
214 030 0029	1821.36	421
214 030 0030	1846.C2	425
214 030 0032	1631724180 1806.95	414
214 030 0033	1806.91	415
214 030 0034	1846.C1	425
214 030 0035	1854.25	426
214 030 0070	1807.KE	418
214 030 0071	1807.KF	426

MEYLE no.	Ref. no.	Page
<b>Citroën</b>		
214 030 0080/HD	1806.H4	416
214 036 0002	0382.LK	401
214 236 0004	1250.J3	346
214 322 0001	1109.Q0 1109.Q1 1109.Y7	411
214 322 0002	1109.AL 1109.J9 95 495 621 95 495 622 95 580 483 95 638 747 96 002 933 96 371 434 96 448 854	407
214 322 0011	98 095 323 80	412
214 323 0000	1906.94	396
214 323 0001	1906.49 1906.A9	393
214 323 0002	1906.50 1906.51 1906.C5	394
214 323 0004	16 063 849 80 1901.A3	392
214 495 0021	16 077 415 80 3287.C4	188
214 498 0006	3273.60 3273.62	223
214 498 0012	9566722180	229
214 498 0013	95 675 822 80	230
214 498 0014	3272.GY 3273.GQ	218
214 498 0032	9566722180	229
214 498 0037	-	232
214 498 0059	3273.5S 3273.CJ	212
214 498 0063	3272.PA 3272.PC	203
214 498 0064	1608505580 3273.PP	194
214 498 0067	3272.PA 3272.PC	220
214 498 0070	3272.PA 3272.PC 3273.PJ 3273.PK	221

MEYLE no.	Ref. no.	Page
<b>Citroën</b>		
214 498 0071	16 085 054 80	226
	16 085 055 80	
	3273.PK	
214 498 0074	3273.06	222
	3273.15	
	3273.3Q	
	3273.5S	
	3273.5Y	
	3273.5Z	
	3273.7E	
	3273.CJ	
	3273.Q8	
	3273.Q9	
	3273.S1	
	3273.S2	
	96 260 840 88	
214 498 0078	3272.CJ	200
214 498 0079	3272.CJ	217
214 498 0080	3272.NF	219
214 498 0082	-	232
214 525 0033	4806.G7	178
	4806.P5	
214 525 0035	4806.H4	177
	4806.P6	
214 525 0041	4806.G6	177
214 531 0009	4402.A7	184
214 531 0010	4402.F3	187
214 531 0012	4402.70	180
	94 044 027 08	
	ZF 099 388 68	
214 533 0008	4241.L7	158
214 533 0008/K	4241.L7	159
214 533 0010	4241.P0	162
	4241.P3	
214 533 0010/K	4241.P0	162
	4241.P3	
214 533 0017	4241.N5	166
214 533 0017/K	4241.H7	147
	4241.K6	
214 533 0020	4241.H5	147
	4241.N4	
214 533 0020/K	4241.H4	146
214 533 0021	4241.H4	146
214 533 0026	4241.6J	164
	4241.H7	
	4241.K6	

MEYLE no.	Ref. no.	Page
<b>Citroën</b>		
214 533 0027	4242.32	159
	4402.A7	
	4241.L7	
	4242.10	
	4242.11	
214 533 0030	4242.27	143
	4402.E6	
	4241.2X	
	4241.3S	
	4241.4W	
214 533 0033	4241.7X	142
	4241.H4	
	4402.A4	
	4241.2W	
	4241.3W	
214 533 0037	4241.4V	162
	4241.7R	
	4241.H4	
	4402.A3	
214 533 0047/K	4402.E4	147
	4241.H5	
214 533 0048	4241.N4	164
	4241.H5	
	4402.F2	
214 533 0049	4241.2Y	143
	4241.3V	
	4241.4X	
	4241.7T	
	4241.H5	
214 597 0000	4241.N4	408
	4402.A5	
	1109.AR	
214 610 0000	1109.K9	520
	16 08 076 280	
	13 123 170 80	
214 610 0000	16 073 029 80	520
	16 073 030 80	
	3520.94	
	3520.C3	
	3520.C5	
	3520.G9	

MEYLE no.	Ref. no.	Page
<b>Citroën</b>		
+	3520.P4	
	3520.P6	
	3520.P8	
	3521.64	
	3521.83	
	3521.85	
	3521.C9	
	3521.H0	
	3521.H1	
	3521.K4	
	3521.K6	
3521.L0		
214 610 0013	3520.94 3520.C3 3520.C5 3520.G9 3520.P4 3520.P8	520
214 610 0014	3521.64 3521.83 3521.85 3521.C9 3521.K4 3521.L0	522
214 615 0014	14 401 772 80 5081.L0 5081.Q3	544
214 631 0002	4007.SF	430
214 640 0010	5033.A6 5033.A9	576
214 640 0015	5033.F2 5254.47	577
214 641 0020	16 127 361 80	617
214 641 0021	16 127 359 80	617
214 641 0028	161290658X	618
214 650 0006	3326.72 3326.76	635
214 650 0010	16 186 492 80 3326.75 3326.77	635
214 650 0013	16 063 746 80 16 109 113 80 16 239 479 80 3326.71	635
214 742 0012	5166.A4	586
214 750 0002	16 066 355 80	637

MEYLE no.	Ref. no.	Page
<b>Citroën</b>		
	16 191 098 80 3748.98	
214 750 0005	3701.83	639
214 770 0001	5035.23 5035.27 91 510 633	623
214 800 0017	4545.90	238
214 810 0000	1920.SR 1920.TS	289
214 810 0001	16 129 074 80 1920.EW	253
214 810 0004	1920.CP	254
214 811 0001	5946.16 5946.20 96 037 068	275
214 821 0006	1920.3F	286
214 821 0007	1338.A5	286
214 821 0009	1338.G9	287
214 860 0003	16 371 708 80 5960.A4 5960.K4	257
214 860 0006	0328.09	257
214 885 0010	5970.53	266
214 899 0001	1920.SQ	255
215 521 0002	16 063 219 80 16 188 797 80 4249.74 4249.E5 4249.L2	68
215 521 0002/PD	16 063 219 80 16 188 797 80 4249.74 4249.E5 4249.L2	68
215 521 0003	1607872280 4246.K3 4246.Y3 4249.H9	44
215 521 0004	16 078 720 80 4246.L3 4246.L4 4246.Y1 4249.G3 4249.H8	42
215 521 0005	16 188 636 80 4246.J9	85

MEYLE no.	Ref. no.	Page
<b>Citroën</b>		
	4249.C9 4249.H6 E169015	
215 521 0018	16 064 009 80 16 188 782 80 4246.L3 4246.L4 4246.Y1 4249.27 4249.G3 4249.H8 4249.K3 E169019 E169151	60
215 521 0019	1611841680 4249.36 4249.A0 4249.H2	50
215 521 0021	1607872380 16 118 412 80 1612435380 1612435480 16 188 645 80 4249.37 4249.38 4249.A6	45
215 521 0024	1611841980 16 188 651 80 4249.25 4249.92 4249.K0	51
215 521 0024/PD	1611841980 16 188 651 80 4249.25 4249.92 4249.K0	51
215 521 0029	1607872180 1611842080 16 124 351 80 16 124 352 80 16 188 652 80 4249.29 4249.K2	43
215 521 0033	16 118 418 80 16 188 650 80 4249.21	85

MEYLE no.	Ref. no.	Page
<b>Citroën</b>		
	4249.87 4249.J9	
215 523 0004	4249.40 4249.A2 4249.K8	86
215 523 0006	16 064 017 80 1607880580 16 188 634 80 16 427 667 80 4246.Z1 4246.Z3 4249.K9 E169248	46
215 523 0006/PD	1607880580 4246.Z1 4246.Z3 4249.K9	47
215 523 0012	16 078 804 80 16 188 629 80 16 427 666 80 4246.Y7 4249.L0 E169247	46
215 523 0027	4228.35 4249.31 4249.A1 4249.K7	86
215 523 0028	16 078 806 80 16 118 421 80 16 188 653 80 4249.42 4249.K6	62
215 523 0029	16 118 410 80 16 188 643 80 4249.23 4249.91	87
215 523 0029/PD	4249.23 4249.91	80
216 020 0015	16 109 371 80 3817.86	461
216 020 0016	16 109 372 80 3817.87	462
216 020 0062	16 073 152 80 4059.12	465
216 031 0004	16 072 928 80 3812.A4	443



MEYLE no.	Ref. no.	Page
<b>Citroën</b>		
216 031 0005	16 072 944 80 3812.E2	445
216 031 0017	4001.77 4001.K6 4001.NZ 4001.PA	449
216 031 0030/HD	4001.77 4001.K6 4001.NZ 4001.PA	449
216 050 0025	4066.95	437
216 060 0000/HD	5087.65 5087.70 5087.78 5087.79	555
216 060 0007	16 073 149 80 4018.E0	464
216 060 0033	16 109 299 80 16 348 916 80 5087.65 5087.70 5087.78 5087.79	556
219 222 0007	1342.18	348
226 623 0017	5202.ZK 5202.ZL 5208.56 5208.L4 5208.L5	610
226 623 0018	5202.XG 5202.XH 5202.ZH 5202.ZJ 5208.53 5208.54 5208.L2 5208.L3 5208.L6	610
226 725 0012	5206.KG 5206.KH 5206.LT 5206.LX 5206.LY 5206.TS 5206.TW 5206.VA	604

MEYLE no.	Ref. no.	Page
<b>Citroën</b>		
	5206.VS 5206.VT	
226 725 0013	16 136 847 80 5206.JL 5206.JN 5206.KJ 5206.KK 5206.KN 5206.KZ 5206.LA 5206.LS 5206.LV 5206.LW 5206.NA 5206.NZ 5206.PA 5206.PE 5206.PF 5206.PG 5206.TR 5206.TT 5206.TX 5206.TY 5206.VC 5206.VF 5206.VG 5206.VH	603
240 910 0028	8731.V0	11
283 521 0003/PD	1607872280 4246.K3 4246.Y3 4249.H9	44
283 521 0004/PD	16 078 720 80 4246.L3 4246.L4 4246.Y1 4249.H8	43
283 521 0021/PD	1607872380 16 118 412 80 1612435380 1612435480 16 188 645 80 4249.37 4249.38 4249.A6	45
29-16 060 0003	5178.49	559

MEYLE no.	Ref. no.	Page
<b>Citroën</b>		
29-16 060 0004	5178.48	559
30-12 319 0016	B0 009 754 80	39
30-12 321 0002	1444.PW	374
30-12 321 0016	16 076 733 80	386
30-12 326 0016/PD	B0 009 754 80	40
30-13 220 0026	16 115 501 80 16 235 619 80	368
30-14 322 0000	1109.AZ 1109.Y4 16 163 998 80	411
30-14 498 0021	3272.JY 3273.JR	219
30-14 610 0041	16 073 046 80 16 073 047 80 16 141 914 80 16 141 916 80 3520.Q2 3521.L3 B0 007 701 80 B0 007 702 80	508
30-14 610 0042	16 073 046 80 16 073 047 80 16 141 914 80 16 141 916 80 3520.Q2 3521.L3 B0 007 701 80 B0 007 702 80	508
30-14 640 0004	-	577
30-14 740 0001	-	577
30-14 812 0004	1920.KN	294
30-14 885 0004	5970.88 5970.C0 5970.C1	268
30-14 885 0005	16 115 478 80	272
30-14 890 0000	4534.54	297
30-14 890 0002	4534.68	298
30-16 010 0083/HD	16 141 914 80 16 141 916 80 3520.Q2 3521.L3 B0 007 701 80 B0 007 702 80	469
30-16 050 0135/HD	16 141 914 80 B0 007 702 80	479
30-16 050 0136/HD	16 141 916 80	480

MEYLE no.	Ref. no.	Page
<b>Citroën</b>		
	B0 007 701 80	
30-28 228 0009	1338.E8 16 124 253 80	355
314 133 2108	1567.78 91 535 807	390
314 136 2102	91 514 549	280
314 238 0005	1306.J5	345
314 810 0009	1920.PW 96 643 873 80	256
314 811 0001	5946.03	275
314 870 0005	6434.A1	15
314 885 0005	5970.64 5970.91 98 078 418 80	268
32-12 319 0002	6447.ZY	32
32-12 320 0002	6479.E9	37
32-12 321 0002	1444.WW	383
32-12 321 0012	16 099 073 80	389
32-12 326 0002/PD	6479.E9	37
32-13 220 0017	16 078 528 80	366
32-14 533 0002	-	166
32-14 610 0000/HD	3520.V0 3520.X9 3521.R1 3521.V0	509
32-14 610 0005	16 127 533 80 3520.V0 3520.X9 3521.R1 3521.V0	510
32-14 640 0002	-	578
32-14 650 0004	16 115 008 80 3326.74	636
32-14 650 0006	16 109 783 80 3350.96	629
32-14 710 0005	16 118 561 80 5131.G0 5131.H5	564
32-14 710 0007	16 074 983 80	507
32-14 710 0010	16 118 561 80 5131.G0 5131.H5	566
32-14 740 0002	-	578
32-14 752 0004	16 062 918 80	647
32-14 752 0006	3730.36	639
32-14 821 0000	1338.G4	287

MEYLE no.	Ref. no.	Page
<b>Citroën</b>		
	16 132 532 80	
32-14 860 0007	16 078 499 80	257
32-15 521 0025	16 063 757 80 16 114 298 80 4249.59 4249.F3	64
32-15 521 0025/PD	16 063 757 80 4249.59 4249.F3	65
32-15 521 0030/PD	16 099 010 80	49
32-15 523 0015/PD	16 075 005 80 16 106 230 80	50
32-15 523 0017	4249.62 4249.F4	65
32-15 523 0017/PD	4249.62 4249.F4	66
32-15 523 0020/PD	16 062 920 80 16 116 678 80	41
32-16 010 0025	3520.V0 3520.X9 3521.R1 3521.V0	469
32-16 020 0000	16 075 024 80 16 109 398 80 3817.74	451
32-16 035 0001	5175.EH	528
32-16 035 0002	16 074 987 80 16 099 134 80 16 127 547 80	526
32-16 050 0087	16 074 983 80	477
32-16 050 0092/HD	16 124 484 80 3521.R1 3521.V0	498
32-16 050 0093/HD	16 124 483 80 3520.V0 3520.X9	489
32-26 623 0003	5202.ZP 5208.S0	596
32-26 623 0004	5202.ZR 5208.S1	596
32-26 725 0003	5206.LC	600
32-40 910 0017	8731.Q1	9
36-12 321 0005	1444.A5	370
36-14 533 0017	4241.H9 95643714	148
36-14 533 0017/K	4241.H9	149

MEYLE no.	Ref. no.	Page
<b>Citroën</b>		
	95643714	
36-14 870 0000	98 012 421 80	15
37-14 813 0001	1628.1E 1628.L1 1920.Z4 96 038 938	295
37-16 060 0022/HD	5170.F5 5170.F6	557
37-16 060 0056	5170.F5 5170.F6	558
40-12 319 0000	6441.EG 6441.H7 6447.LV 6447.Z4 95 667 986	26
40-12 319 0001	6447.HP 6447.KR 6479.A1	36
40-12 319 0003	6479.04	32
40-12 319 0004	6447.LY 6447.LZ 6479.E5	27
40-12 319 0006	6444.FF 6447.FF 6447.LN	26
40-12 320 0002	6447.HV	27
40-12 320 0003	6441.EJ 6447.TC 6479.43	26
40-12 321 0001	1444.FC 1444.TL	372
40-12 321 0002	16 124 967 80 16 163 688 80	386
40-12 321 0003	98 055 520 80	388
40-12 321 0004	96 74 725 580	387
40-13 220 0004	1201.K2 16 135 185 80	363
40-14 030 0001	1809.30 1809.33	420
40-14 030 0002	1813.92	420
40-14 030 0003	1806.59 1806.84 1806.96	415
40-14 030 0005	1844.92	423
40-14 322 0001	1109.AG 1109.AT	408

MEYLE no.	Ref. no.	Page
<b>Citroën</b>		
	1109.Z8 16 062 675 80	
40-14 322 0002	1610693780	412
40-14 412 0001	5031.51	2
40-14 412 0002	5033.C3	3
40-14 495 0000	3293.31	193
40-14 495 0001	3292.03 3293.03	191
40-14 495 0004	3287.83	189
40-14 495 0005	3287.78	189
40-14 495 0006	3293.A2	193
40-14 495 0009	3287.81	189
40-14 495 0010	3287.90	190
40-14 495 0018	3293.97	192
40-14 495 0019	3293.99	192
40-14 498 0000	3273.17 3273.18 3273.20 3273.21 3273.23 3273.24 3274.79 3274.80 3274.82 3274.83 3274.85 3274.86 95 604 719	228
40-14 498 0001	95 598 210	228
40-14 498 0002	3272.10 3273.79 95 615 878	228
40-14 498 0003	96 141 637	230
40-14 498 0005	96 141 635 96 164 213	230
40-14 498 0009	3273.N2	225
40-14 498 0010	96 199 475 80 96 199 476 80	231
40-14 498 0011	3272.CQ 3272.CR	201
40-14 498 0012	3273.5T 3273.R0 3273.R1	209
40-14 498 0013	3273.56 3273.C8	207
40-14 498 0015	3272.J1	201

MEYLE no.	Ref. no.	Page
<b>Citroën</b>		
	3272.J5 3272.J6	
40-14 498 0016	3272.54 3272.8J 3272.W5	198
40-14 498 0017	3272.J0 3272.J3 3272.J4	201
40-14 498 0018	3272.V3 3272.V4 3272.V5	204
40-14 498 0019	3272.1Q 3272.9P	197
40-14 498 0020	3273.7F	210
40-14 498 0021	3273.0K 3273.63 3273.C9 96 048 667	212
40-14 498 0022	3272.51 3272.9J 3272.W8 95 666 940 96 048 666 96 095 217 96 666 908	200
40-14 498 0023	3272.ES 3273.ES	225
40-14 498 0024	3272.EQ 3273.EQ	217
40-14 498 0025	3272.FW 3273.EA	224
40-14 498 0026	3272.JA 3273.HS	218
40-14 498 0027	3272.6W 3273.9Z	215
40-14 498 0028	3273.0R 3273.0S 3273.6K 3273.7W 3273.9Z 3273.AA 3273.K2 3273.K3 7273.7X 96 031 845 96 091 416	205



MEYLE no.	Ref. no.	Page
<b>Citroën</b>		
	96 167 304 96 171 875 96 173 636	
40-14 498 0029	3273.09 3273.10 3273.13 3273.5V 3273.5W 3273.CN 3273.R2 3273.R3	209
40-14 498 0030	3273.5S 3273.CJ 3273.Q8 3273.Q9	208
40-14 498 0031	3273.0W 3273.0X 3273.6A	206
40-14 498 0032	3273.AC 3273.AE 3273.LP	211
40-14 498 0033	3273.3Q 3273.5Z	206
40-14 498 0034	3272.5L 3272.6Y 3272.Y6 3272.Y7 3272.Y8	197
40-14 498 0035	3272.65 3273.5Q 3273.5R 3273.G2 3273.L9 3273.R6 3273.Y0 95 591 074 95 619 482 95 654 731	208
40-14 498 0036	3273.06 3273.15 3273.5Y 3273.7E 3273.S1 3273.S2 96 260 840 88	205
40-14 498 0037	3272.1X	202

MEYLE no.	Ref. no.	Page
<b>Citroën</b>		
	3272.2X 3272.LV 3272.LW	
40-14 498 0038	3272.00 3272.20 3272.4K 3272.5K 3272.76 3272.K2 3272.R5 95 591 073 95 619 481 95 654 730	195
40-14 498 0039	3273.1C 3273.3Z 3273.4J 3273.6H	207
40-14 498 0040	3272.2Q 3272.3Q 3272.Q	197
40-14 498 0041	3273.7H 3273.7J	210
40-14 498 0042	3273.AH	211
40-14 498 0043	3272.NP 3272.NQ 3272.SE 3272.SF	202
40-14 498 0044	3273.NP 3273.NQ	213
40-14 498 0045	3273.0R 3273.0S 3273.6K 3273.7W 3273.9Z 3273.AA 3273.K2 3273.K3 7273.X 96 031 845 96 091 416 96 167 304 96 171 875 96 173 636	222
40-14 498 0046	3273.09 3273.10 3273.13	223

MEYLE no.	Ref. no.	Page
<b>Citroën</b>		
	3273.5V 3273.5W 3273.CN 3273.R2 3273.R3	
40-14 498 0048	3272.NP 3272.NQ 3272.SE 3272.SF	220
40-14 498 0050	3272.1X 3272.2X 3272.LW 3273.AC 3273.AE 3273.LP	215
40-14 498 0051	3273.SV 3273.SW 96 442 929 80	227
40-14 498 0058	3273.1C 3273.3Z 3273.4J 3273.6H	223
40-14 498 0065	3273.SV 3273.SW	227
40-14 498 0068	3272.1X 3272.2X 3272.LW	215
40-14 498 0074	3273.CR	213
40-14 498 0075	3272.6W 3272.7S 3272.8R 3272.8S 3272.FP 3272.Z7	199
40-14 498 0076	3272.9C	199
40-14 498 0077	3272.V0 3272.V6	203
40-14 498 0078	3272.1F	196
40-14 498 0079	3272.5X	198
40-14 498 0082	3272.9C 3272.V0 3272.V6	216
40-14 498 0087	3272.9C 3272.V0 3272.V6	216
40-14 533 0001	4241.L2	154

MEYLE no.	Ref. no.	Page
<b>Citroën</b>		
40-14 533 0002	4241.H7 4241.K6	148
40-14 533 0003	4241.N8 4241.P4	161
40-14 533 0004/K	4241.J5	149
40-14 533 0005/K	95 619 515 95 663 213	165
40-14 533 0006	4241.3H 4241.6A 4241.6T 4242.25 4402.90 4402.91 95 608 853 95 608 854 95 619 515 95 663 213	142
40-14 533 0007	4241.L2 4402.A3 4402.E4	154
40-14 533 0019/K	4241.L2	155
40-14 615 0001	5081.P4 5081.P4S 96 853 159 80	534
40-14 615 0002	5094.97	538
40-14 615 0003	5094.96	537
40-14 615 0004	5094.90	537
40-14 620 0000	4066.64 4066.74	435
40-14 620 0002	4066.88	437
40-14 620 0003	4066.97	437
40-14 620 0004	4066.82 4066.85 4066.92	436
40-14 631 0000	4007.E3 96 220 720 80	428
40-14 631 0001	4007.7A 4007.X9	427
40-14 631 0002	4007.AW 4007.EP	429
40-14 631 0003	4007.TQ 98 126 122 80	433
40-14 631 0004	4007.V9 96 323 350 80	431
40-14 639 0000	5002.FV	570
40-14 639 0001	5002.35	568

MEYLE no.	Ref. no.	Page
<b>Citroën</b>		
40-14 639 0002	5002.CE	569
40-14 639 0004	5002.S6	573
40-14 639 0005	5002.QL 5002.X8	572
40-14 639 0006	5002.CJ 5002.LJ	569
40-14 639 0007	5002.LY	571
40-14 639 0008	5002.L6	571
40-14 639 0009	5002.79	569
40-14 639 0012	5002.73 5002.QH 5002.RX	568
40-14 639 0013	5002.CR 5002.LQ	570
40-14 639 0015	5002.NK 5002.NL 5002.NN 5002.NP	572
40-14 639 0016	5002.RZ 5002.SA	573
40-14 639 0017	5002.74	568
40-14 639 0018	5002.J6	571
40-14 639 0019	5002.RW 5002.S5	573
40-14 639 0020	5002.RV	572
40-14 640 0000	5033.72 5254.35	578
40-14 640 0002	-	579
40-14 640 0004	5033.42	579
40-14 640 0006	-	579
40-14 640 0007	-	580
40-14 641 0000	5038.49 5038.91 9646254781	620
40-14 641 0002	5031.80	581
40-14 641 0007	16 092 747 80 16 113 139 80 5038.G2 5038.G8 5038.J7	616
40-14 641 0008	16 092 746 80 16 113 137 80 5038.G3 5038.G7 5038.J8	617
40-14 641 0009	5031.96	582

MEYLE no.	Ref. no.	Page
<b>Citroën</b>		
	5035.27 5038.F5	
40-14 641 0012	5038.F6	583
40-14 650 0000	16 109 115 80 16 239 480 80 3350.81 3350.87 3350.90	626
40-14 652 0001	3307.77 3307.84	648
40-14 739 0000	5002.F4	570
40-14 739 0001	5102.G4	574
40-14 739 0002	5102.J7	574
40-14 742 0001	5166.66	585
40-14 742 0002	5166.51	584
40-14 742 0003	5166.67 5166.94	586
40-14 750 0001	16 137 168 80 16 239 433 80 3748.70	648
40-14 750 0002	16 077 045 80 16 239 425 80 3748.90	630
40-14 750 0003	16 137 167 80 16 239 432 80 3748.A1	630
40-14 752 0001	16 077 037 80 16 239 418 80 3748.38 3748.72	648
40-14 752 0002	16 063 747 80 16 137 166 80 3701.82	636
40-14 752 0003	96 713 260 80	649
40-14 800 0000	1338.A7	279
40-14 800 0001	4545.86	238
40-14 800 0002	4545.97	240
40-14 800 0003	4545.98	240
40-14 800 0004	1920.EH 96 372 208 96 374 669	254
40-14 800 0005	1920.7V 1920.FY 1920.QN 96 285 598 96 285 599	287

MEYLE no.	Ref. no.	Page
<b>Citroën</b>		
40-14 800 0007	4545.H5	247
40-14 800 0008	4545.H6	247
40-14 800 0009	1920.AW	254
40-14 800 0010	1920.EN 1920.FP	255
40-14 800 0011	4545.80	237
40-14 800 0012	4545.66 4545.78	237
40-14 800 0013	4545.A5	240
40-14 800 0014	4545.94	239
40-14 800 0015	4545.95	239
40-14 800 0016	4545.96	239
40-14 800 0019	4545.E1	243
40-14 800 0020	4545.E2 B000698180	243
40-14 800 0021	4545.F1	245
40-14 800 0022	4545.F6	246
40-14 800 0023	4545.F5 4545.K3	249
40-14 800 0024	4545.E8	244
40-14 800 0025	4545.E7	244
40-14 800 0026	4545.J0	248
40-14 800 0027	4545.H9 4545.K6	248
40-14 800 0028	16 271 626 80 4545.H1	252
40-14 810 0000	1338.97 1338.A6 96 310 010 96 368 027	278
40-14 821 0000	1338.C1 1338.C2 1338.C9 1338.G5 96 325 624 80 96 554 141 80	279
40-14 860 0000	5960.H6 5962.1P 5962.1Q	263
40-14 860 0001	5960.72 5960.K5	264
40-14 860 0002	5960.A0 5960.G6	262
40-14 860 0003	5960.L1	264
40-14 860 0006	5960.E6 5960 K6	258

MEYLE no.	Ref. no.	Page
<b>Citroën</b>		
40-14 885 0000	5970.74 5970.A9	271
40-14 885 0001	5970.45 96 035 284	266
40-14 885 0002	5970.97 5970.A8	269
40-14 885 0005	5970.48 5970.60 96 074 054	267
40-14 885 0006	5970.49 96 062 288 96 165 970 80	266
40-14 885 0008	00 005 970 87 00 005 970 A0 5970.87 5970.A0 96 566 957 80 96 582 279 80	270
40-14 885 0011	96 753 909 80	272
40-14 885 0012	96 712 145 80	272
40-14 899 0001	6160.70	299
40-14 899 0002	4545.C7 96 469 712	242
40-14 919 0005	1525.H8	397
40-15 521 1000	16 063 087 80 4246.R6 4246.T8 4246.W3 4249.H1 E 169 010	57
40-15 521 1001	16 063 082 80 4246.C0 4249.33 4249.85 96 876 021 80	53
40-15 521 1004	4246.Z8 4249.79 4249.F2 4249.H3	87
40-15 523 1001	95 667 811	78
40-15 523 1002	4246.W4 E 169 143	58
40-16 010 0002	16 072 951 80 16 072 952 80 3640.39 3640.42	470



MEYLE no.	Ref. no.	Page
<b>Citroën</b>		
	3640.43 96 025 445 96 103 696 E459704 E459705	
40-16 010 0004/HD	3640.55	471
40-16 020 0000/HD	16 108 178 80 16 112 422 80	453
40-16 020 0001/HD	16 108 177 80 16 112 421 80	453
40-16 020 0002	16 073 213 80 3817.55	457
40-16 020 0003/HD	3817.62	459
40-16 020 0004/HD	3817.61	458
40-16 020 0005	16 231 410 80	454
40-16 020 0006	16 231 411 80	454
40-16 020 5723/HD	16 073 162 80 3817.41 94 580 841 80 94 710 005 65 94 710 075 65	466
40-16 020 5724/HD	16 073 163 80 3817.31 3817.42 94 580 842 80 94 710 006 65 94 710 074 65	465
40-16 031 0000/HD	3812.E6	446
40-16 031 0001/HD	16 08 652 180	439
40-16 031 0002/HD	16 108 176 80	440
40-16 050 0002/HD	16 144 183 80 16 144 476 80 3520.A1 3520.A2 3520.A6 3520.F5 3520.F6 3520.F7 3520.F8 3520.H5 3520.H8 3520.K7 95 658 882 95 658 884 95 668 510 95 668 512	482

MEYLE no.	Ref. no.	Page
<b>Citroën</b>		
	E455009	
40-16 050 0004/HD	16 144 184 80 16 144 477 80 3520.E8 3521.71 3521.72 3521.A5 3521.A6 3521.A7 3521.A8 3521.E5 3521.G7 95 658 883 95 658 885 95 668 511 E455010	490
40-16 610 0000/HD	3520.H5 3521.E5 3523.75 3640.43 96 110 483	529
40-26 623 0000	5202.J5	589
40-26 623 0001	5202.J3	588
40-26 623 0002	5202.GW 5202.GY 5202.HE 5202.JZ 5202.KC 5202.KN 5202.KS 5202.KV 5202.LC 5202.LF 5202.LN 5202.PW 5202.RE 5202.RG 5202.RT 5202.TA 5202.TJ 5202.TW 5202.YH 5202.ZC	587
40-26 623 0003	5202.GX 5202.GZ 5202.HF	588

MEYLE no.	Ref. no.	Page
<b>Citroën</b>		
	5202.KA	
	5202.KE	
	5202.KL	
	5202.KP	
	5202.KT	
	5202.KW	
	5202.LE	
	5202.LG	
	5202.LP	
	5202.PX	
	5202.RF	
	5202.RH	
	5202.RV	
	5202.SX	
	5202.TC	
	5202.TK	
	5202.TX	
	5202.YJ	
	5202.ZE	
40-26 623 0010	5202.SA 5202.SE	591
40-26 623 0011	5202.SC 5202.SF	592
40-26 623 0012	1400519880 5202.H4 5202.PV 5202.VQ	590
40-26 623 0013	5208.52 5208.F4	607
40-26 623 0014	5208.51 5208.T5	611
40-26 623 0015	5208.81 5208.83	606
40-26 623 0016	5208.82 5208.84	607
40-26 623 0017	5202.XT 5202.XW 5202.ZS 5202.ZV	597
40-26 623 0018	5202.XV 5202.XX 5202.ZT 5202.ZW	597
40-26 623 0019	5202.WP 5202.WR 5202.WT	594

MEYLE no.	Ref. no.	Page
<b>Citroën</b>		
	5202.WW 5208.Q2 5208.Q4	
40-26 623 0020	5202.WQ 5202.WS 5202.WV 5202.WX 5208.Q3 5208.Q5	594
40-26 623 0022	5208.F6 5208.F8 98 097 132 80 98 097 134 80	608
40-26 623 0023	5208.F7 5208.F9	608
40-26 623 0024	5208.G0 5208.H1	609
40-26 623 0025	5208.G1 5208.H2	609
40-26 623 0026	5208.T7 5208.V5 5208.V7	611
40-26 623 0027	5208.T8 5208.V6 5208.V8	612
40-26 623 0028	1610179780 1610179880 1611448780 1612743580 1612744480 16 285 642 80 16 285 643 80 98 106 837 80 98 109 204 80	587
40-26 623 0029	98 21 596 680	613
40-26 725 0000	5206.J2	600
40-26 725 0001	5206.C5 5206.Q0 5206.Q1	601
40-26 725 0002	5206.AN 5206.X7 5206.Z5 5206.Z7	604
40-26 725 0003	5206.CH 5206.CS 5206.EK	599

MEYLE no.	Ref. no.	Page
<b>Citroën</b>		
40-26 725 0006	16 233 141 80	602
	5206.P1	
	5206.R4	
40-26 725 0007	5206.PR	601
40-26 725 0008	5206.EE	598
40-26 725 0009	5206.QH	605
	5206.QJ	
	5206.QK	
	5206.QL	
	5206.QN	
	5206.QP	
	5206.QQ	
	5206.QR	
	5206.YQ	
	5206.YR	
	40-26 725 0010	
5206.HT		
5206.HZ		
5206.NC		
5206.PW		
5206.PX		
5206.QY		
5206.QZ		
5206.RC		
5206.RE		
9807784280		
40-26 725 0011	5206.FX	603
	5206.FZ	
	5206.GA	
	5206.GC	
	5206.QW	
	5206.VE	
	5206.VQ	
	5206.VR	
40-26 725 0012	5206.VV	605
	5206.VW	
	5206.YX	
40-26 725 0014	5206.ZH	606
	5206.ZJ	
	5206.ZK	
40-26 725 0015	98 060 831 80	613
	98 072 594 80	
	98 081 826 80	
	98 081 827 80	
40-26 725 0017	98 165 098 80	613
	98 165 101 80	

MEYLE no.	Ref. no.	Page
<b>Citroën</b>		
40-40 910 0000	8731.E3	4
40-40 910 0002	8731.E0	3
40-40 910 0004	8731.F5	4
	8731.F6	
40-40 910 0005	8731.F1	7
	8731.N1	
40-40 910 0006	8731.C0	3
	8731.E7	
	96 181 191	
40-40 910 0007	8731.G3	5
	8731.K9	
40-40 910 0010	7925.11	2
40-40 910 0011	7925.14	2
40-40 910 0014	8731.J8	5
	96 472 954 80	
40-40 910 0015	8731.L0	7
40-40 910 0016	8731.P4	8
	96 544 335 80	
40-40 910 0017	8731.P2	8
	8731.T0	
	96 544 334 80	
40-40 910 0018	8731.K0	6
	96 472 953 80	
40-40 910 0019	8731.N9	7
	96 544 386 80	
40-40 910 0020	8731.J9	6
	96 508 541 80	
40-40 910 0021	8731.P5	8
	8731.Q9	
40-40 910 0022	8731.K1	6
	8731.K2	
40-40 910 0023	8731.R7	9
	9682256580	
40-40 910 0024	8731.R9	9
40-40 910 0025	8731.S0	10
40-40 910 0026	8731.T9	10
	9683733980	
40-40 910 0027	8731.V8	11
	98 007 176 80	
	98 007 177 80	
40-40 910 0028	98 010 608 80	12
	98 010 614 80	
40-40 910 0029	8731.V4	11
	98 098 213 80	
40-40 910 0030	7000510368C0	10
	8731.S8	

MEYLE no.	Ref. no.	Page
<b>Citroën</b>		
513 220 0002	1201.E8	358
514 053 1003	5705.AS 5705.NH	302
514 053 1004	5702.J4	301
514 860 0001	5960.77 5960.F8	261
53-14 322 0000	1109.AV	412
53-14 860 0002	5960.E7	258
53-28 228 0000	1336.Z4	353
612 319 0016	6479.60 6479.84	35
612 320 0016	6479.61	33
612 320 0020	98 151 067 80	38
612 324 0016	6479.61	34
612 326 0016/PD	6479.61	34
612 326 0020/PD	98 151 067 80	39
613 220 0002	1201.L9 16 265 144 80	365
614 036 0012	0345.42 91 540 797 96 008 036	398
614 123 0001	2257.56	299
614 322 0000	1109.AE 1109.CG	407
614 322 0016	1109.CJ	409
614 323 0000	1906.52 1906.53	394
614 323 0002	1567.85 1567.A5 1567.C6	390
614 323 0004	16 062 676 80 1906.98 1906.C4	397
614 610 0007	3520.W3 3520Y4 3521.S6 3521V5	510
614 610 0008	3520.W3 3520Y4 3521.S6 3521V5	511
614 643 0000	5254.47	580
614 818 0002	1567.79 5 470 530 91 470 530 95 470 530	390

MEYLE no.	Ref. no.	Page
<b>Citroën</b>		
	96 131 549	
614 860 0010	5960.L4	264
614 899 0017	5946.07	291
614 899 0038	1338.C7 1338.F9	280
616 010 0006	3520.W3 3520Y4 3521.S6 3521V5	469
616 010 0015	98 034 340 80	474
616 020 0031	16 310 569 80	455
616 050 0028	3521.S6 3521.V5	498
616 050 0029	3520.W3 3520Y4	490
616 050 0076	98 168 654 80	504
616 050 0076/S	98 034 340 80 98 168 654 80	505
616 050 0077	98 168 655 80	505
616 050 0077/S	98 034 340 80 98 168 655 80	506
616 610 0005	3520.W3 3520Y4 3521.S6 3521.V5	532
713 220 0008	1201.F9 1201.G8	360
713 220 0008/HD	1201.F9 1201.G8	360
714 009 0000	5751.F1	304
714 009 0003	16 138 380 80 5751.87	304
714 020 0001	5960.G2	262
714 020 0003	5960.66 5960.67 5960.F5	260
714 020 0004	5960.F4	259
714 020 0006	5751.F2	306
714 135 0102	2267.09	234
714 135 0102/XK	2267.09	234
714 137 0002	2267.09	232
714 322 0007	1109.AY 1109.T3 1109.Z6	409
714 322 0011	1109.X3 1109.X4	410

MEYLE no.	Ref. no.	Page
<b>Citroën</b>		
714 322 0020	98 088 678 80	413
714 323 0004	1906.90 1906.C0	395
714 323 0012	1906.A7	396
714 812 0001	96 753 795 80	294
714 812 0004	1920.LA	295
714 821 0001	96 753 420 80	281
714 821 0006	1338.F0	280
714 860 0001	5960 K0 96 076 258	263
714 860 0002	5960.E9	259
714 860 0005	96 756 809 80	265
728 228 0002	1338.F5	354
728 228 0003	1336.AS 96 821 415 80 98 036 467 80	355



Ref. no.	MEYLE no.	Page
<b>Citroën</b>		
00 005 970 87	40-14 885 0008	270
00 005 970 A0	40-14 885 0008	270
00 176 894 00	16-14 531 0012	187
0242.68	11-14 821 0007	283
0242.83	11-14 821 0008	284
0242.85	11-14 821 0007	283
0242.87	11-14 821 0007	283
0328.09	214 860 0006	257
0345.42	614 036 0012	398
0382.CR	11-14 036 0009	399
0382.EN	11-14 036 0008	399
0382.EY	11-14 036 0019	402
0382.FE	11-14 036 0017	403
0382.FN	11-14 036 0004	401
0382.GK	11-14 036 0007/HD	403
0382.GS	11-14 036 0012	399
0382.GV	11-14 036 0015	405
0382.GW	11-14 036 0014	405
0382.HK	11-14 036 0003	402
0382.HP	11-14 036 0007/HD	403
0382.JC	11-14 036 0005/HD	400
0382.KA	11-14 036 0005/HD	400
0382.LA	11-14 036 0013	400
0382.LJ	11-14 036 0011	400
0382.LK	214 036 0002	401
0382.LW	11-14 036 0004	401
0382.LX	11-14 036 0004	401
0382.LY	11-14 036 0016	401
0382.NY	11-14 036 0003	402
0382.NZ	11-14 036 0019	402
0382.PJ	11-14 036 0010	403
0382.PK	11-14 036 0015	405
0382.PN	11-14 036 0007/HD	403
0382.PP	11-14 036 0007/HD	403
0382.PZ	11-14 036 0017	403
0820.53	11-51 902 1014	305
0829.29	11-51 902 1014	305
0829.53	11-51 902 1014	305
0829.54	11-51 902 1014	305
0830.37	11-51 902 2005	308
0830.63	11-51 902 2005	308
0831.55	11-51 049 0015	307
0831.65	11-51 049 0015	307
0831.66	11-51 049 0015	307
0831.86	11-51 049 0013	306
0831.87	11-51 049 0013	306

Ref. no.	MEYLE no.	Page
<b>Citroën</b>		
0831.88	11-51 049 0015	307
0831.89	11-51 049 0015	307
0831.K2	11-51 049 0015	307
0831.L3	11-51 049 0017	307
0831.L7	11-51 049 0012	306
0831.P8	11-51 049 0017	307
0831.R9	11-51 049 0017	307
0831.S0	11-51 049 0013	306
0831.T4	11-51 049 0015	307
0831.T6	11-51 049 0015	307
0831.V1	11-51 049 0012	306
09 938 205	025 212 0519/W	120
1019 807 00	11-14 803 0001	276
1104091	11-14 885 0006	267
1109.AE	614 322 0000	407
1109.AG	40-14 322 0001	408
1109.AL	214 322 0002	407
1109.AR	214 597 0000	408
1109.AT	40-14 322 0001	408
1109.AV	53-14 322 0000	412
1109.AY	11-12 330 0000/SK 11-12 330 0001/S 714 322 0007	1, 409
1109.AZ	30-14 322 0000	411
1109.CG	614 322 0000	407
1109.CJ	614 322 0016	409
1109.J9	214 322 0002	407
1109.K9	214 597 0000	408
1109.Q0	214 322 0001	411
1109.Q1	214 322 0001	411
1109.R7	11-14 322 0001	410
1109.T3	11-12 330 0000/SK 11-12 330 0001/S 714 322 0007	1, 409
1109.X3	714 322 0011	410
1109.X4	714 322 0011	410
1109.Y4	30-14 322 0000	411
1109.Y6	11-14 322 0002	411
1109.Y7	214 322 0001	411
1109.Z6	11-12 330 0000/SK 11-12 330 0001/S 714 322 0007	1, 409
1109.Z8	40-14 322 0001	408
1176.83	050 005 1230	308
1177.19	050 006 1190	343
1177.38	050 006 1698	332

Ref. no.	MEYLE no.	Page
<b>Citroën</b>		
1201.39	11-13 012 0163	356
1201.47	11-13 012 0723	365
1201.55	11-13 220 0002	357
1201.58	11-13 012 0158	358
1201.63	11-13 012 0163	356
1201.A2	11-13 012 0102	358
1201.A7	11-13 220 0002	357
1201.A8	11-13 220 0005	356
1201.C4	11-13 220 0001	357
1201.C5	11-13 220 0002	357
1201.C6	11-13 220 0002	357
1201.C9	11-13 220 0014	362
1201.E0	11-13 220 0002	357
1201.E1	11-13 220 0017	367
1201.E3	11-13 012 0723	365
1201.E4	11-13 012 0158	358
1201.E5	11-13 012 0102	358
1201.E6	11-13 012 0158	358
1201.E7	11-13 220 0017	367
1201.E8	513 220 0002	358
1201.E9	11-13 220 0008	359
1201.F4	11-13 220 0017	367
1201.F5	11-13 220 0017	367
1201.F6	11-13 220 0008	359
1201.F9	713 220 0008 713 220 0008/HD	360
1201.G0	11-13 220 0003	359
1201.G1	11-13 220 0004 11-13 220 0004/HD	361
1201.G2	11-13 220 0006	366
1201.G4	11-13 220 0017	367
1201.G5	11-13 220 0017	367
1201.G8	713 220 0008 713 220 0008/HD	360
1201.G9	11-13 220 0004 11-13 220 0004/HD	361
1201.H0	11-13 220 0019 11-13 220 0019/HD	364-365
1201.H5	11-13 220 0014	362
1201.H6	11-13 220 0023	362
1201.H7	11-13 220 0021	367
1201.H8	11-13 220 0020	363
1201.J0	11-13 220 0019 11-13 220 0019/HD	364-365
1201.J2	11-13 220 0017	367
1201.J4	11-13 220 0024	363

Ref. no.	MEYLE no.	Page
<b>Citroën</b>		
1201.J6	11-13 220 0021	367
1201.J9	11-13 220 0025	364
1201.K0	11-13 220 0024	363
1201.K1	11-13 220 0017	367
1201.K2	40-13 220 0004	363
1201.K4	11-13 220 0025	364
1201.L1	11-13 220 0019 11-13 220 0019/HD	364-365
1201.L2	11-13 220 0017	367
1201.L3	11-13 220 0019 11-13 220 0019/HD	364-365
1201.L9	613 220 0002	365
1207.18	11-13 012 0723	365
1207.23	11-13 012 0723	365
1207.25	11-13 012 0158	358
1250.G1	11-14 236 0002	346
1250.G2	11-14 236 0002	346
1250.G4	11-14 236 0002	346
1250.G5	11-14 236 0002	346
1250.J3	214 236 0004	346
1253.F0	11-14 236 0001	346
1253.F8	11-14 236 0001	346
1253.G7	11-14 236 0001	346
1253.GP	11-14 236 0002	346
1253.H6	11-14 236 0000	347
1253.K1	11-14 236 0002	346
1253.K2	11-14 236 0001	346
1253.K4	11-14 236 0001	346
1253.K7	11-14 236 0001	346
1253.P8	11-14 236 0000	347
1253.Q8	11-14 236 0002	346
1253.QP	11-14 236 0002	346
1264.33	11-14 821 0017	296
1280.28	050 004 0945	339
1280.35	050 006 0890	308
1280.39	050 003 0865	336
1280.47	050 006 0995	309
1280.51	050 006 0950	309
1280.60	050 004 0945	339
1280.62	050 003 0865	336
1280.67	050 006 0995	309
13 004 730 80	11-16 010 0004	468
13 023 680 80	11-16 010 0005/HD	470
1306.C9	11-14 238 0000	345
1306.E4	11-14 238 0000	345
1306.J5	314 238 0005	345

Ref. no.	MEYLE no.	Page
<b>Citroën</b>		
13 123 170 80	214 610 0000	520
1323.A3	11-14 223 0003	344
1323.T1	11-19 222 0008	347
1323.T9	11-14 223 0000	344
1323.X6	11-14 223 0002	344
1336.AS	728 228 0003	355
1336.AX	11-28 228 0006	350
1336.Q1	11-28 228 0001	350
1336.Q2	11-28 228 0002	350
1336.V3	11-19 222 0000	347
1336.V6	11-28 228 0004	351
1336.X2	11-28 228 0007	351
1336.Y9	11-28 228 0009	352
1336.Z0	11-28 228 0003	352
1336.Z2	11-28 228 0010	352
1336.Z4	53-28 228 0000	353
1337.27	028 289 0000	353
1338.09	11-14 821 0011	284
1338.10	11-14 821 0005	282
1338.23	11-28 228 0008	353
1338.43	11-14 821 0014	285
1338.44	028 289 0000	353
1338.47	11-14 821 0010	278
1338.50	11-14 821 0004	282
1338.55	11-14 821 0005	282
1338.56	11-14 821 0005	282
1338.66	11-14 821 0003	282
1338.78	11-14 821 0010	278
1338.84	11-14 821 0005	282
1338.87	11-14 821 0000	281
1338.93	11-14 821 0009	284
1338.97	40-14 810 0000	278
1338.A0	11-28 228 0000	354
1338.A5	214 821 0007	286
1338.A6	40-14 810 0000	278
1338.A7	40-14 800 0000	279
1338.C0	11-14 821 0012	285
1338.C1	40-14 821 0000	279
1338.C2	40-14 821 0000	279
1338.C7	614 899 0038	280
1338.C9	40-14 821 0000	279
1338.E8	30-28 228 0009	355
1338.F0	714 821 0006	280
1338.F3	11-14 821 0006	283
1338.F5	728 228 0002	354
1338.F7	11-14 821 0009	284

Ref. no.	MEYLE no.	Page
<b>Citroën</b>		
1338.F8	11-14 821 0006	283
1338.F9	614 899 0038	280
1338.G4	32-14 821 0000	287
1338.G5	40-14 821 0000	279
1338.G9	214 821 0009	287
1342.18	219 222 0007	348
1343.EZ	11-19 222 0003	348
1343.HX	11-19 222 0006	348
1343.LC	11-19 222 0003	348
1351.FR	11-19 222 0002	349
1351.PK	11-19 222 0005	349
1351.Z1	11-19 222 0004	349
1400519880	40-26 623 0012	590
14 114 573 80	025 244 6819/W2	93
1434.13	11-14 036 0000	406
1434.15	11-14 036 0006	404
1434.45	11-14 036 0002	404
1434.C8	11-14 036 0001	406
1434.F6	11-14 036 0000	406
14 401 772 80	214 615 0014	544
14 402 003 80	11-14 631 0014	430
1444.99	11-12 014 4402	369
1444.A1	11-12 014 4409	370
1444.A4	11-12 014 4419	382
1444.A5	36-12 321 0005	370
1444.A7	11-12 014 4485	370
1444.A8	11-12 014 4419	382
1444.A9	11-12 014 4419	382
1444.CA	11-12 321 0001	371
1444.CC	11-12 321 0001	371
1444.CJ	11-12 321 0001	371
1444.CK	11-12 321 0001	371
1444.CV	11-12 321 0004	371
1444.CZ	11-12 321 0002	374
1444.E5	11-12 321 0017	371
1444.E7	11-12 321 0041	383
1444.EC	11-12 321 0015	384
1444.EF	11-12 321 0015	384
1444.ER	11-12 321 0022	372
1444.ET	11-12 321 0022	372
1444.EV	11-12 321 0032	372
1444.EW	11-12 321 0032	372
1444.EZ	11-12 321 0004	371
1444.F2	11-12 321 0041	383
1444.F4	11-12 014 4419	382
1444.F5	11-12 321 0010	381



Ref. no.	MEYLE no.	Page
<b>Citroën</b>		
1444.FC	40-12 321 0001	372
1444.FE	11-12 321 0024	381
1444.FG	11-12 321 0030	373
1444.FH	11-12 321 0038	382
1444.FJ	11-12 321 0003	380
1444.FK	11-12 321 0029	382
1444.FL	11-12 321 0003	380
1444.FN	11-12 321 0004	371
1444.G1	11-12 321 0010	381
1444.H2	11-12 321 0020	373
1444.H5	11-12 014 4419	382
1444.H6	11-12 014 4419	382
1444.H7	11-12 014 4419	382
1444.J3	11-12 321 0012	373
1444.J5	11-12 014 4410	374
1444.J7	11-12 321 0041	383
1444.K5	11-12 321 0002	374
1444.PR	11-12 321 0024	381
1444.PW	30-12 321 0002	374
1444.QA	11-12 321 0035	375
1444.QE	11-12 321 0011	378
1444.QJ	11-12 321 0008	375
1444.QP	11-12 321 0031	378
1444.QS	11-12 321 0007	375
1444.QV	212 321 0020	378
1444.QX	11-12 321 0023	376
1444.QZ	11-12 321 0034	376
1444.R1	11-12 321 0011	378
1444.R3	11-12 321 0011	378
1444.R6	11-12 321 0042	376
1444.R7	11-12 014 4419	382
1444.RK	11-12 321 0013	377
1444.RP	11-12 321 0031	378
1444.RU	11-12 321 0025	385
1444.RW	11-12 321 0005	377
1444.SA	11-12 321 0025	385
1444.SE	11-12 321 0021	385
1444.SG	212 321 0021	377
1444.SJ	11-12 321 0025	385
1444.SQ	212 321 0020	378
1444.SR	212 321 0021	377
1444.SW	11-12 321 0018	380
1444.T1	11-12 014 4419	382
1444.T2	11-12 014 4419	382
1444.T3	11-12 014 4419	382
1444.T4	11-12 014 4419	382

Ref. no.	MEYLE no.	Page
<b>Citroën</b>		
1444.T5	11-12 014 4419	382
1444.T6	11-12 014 4419	382
1444.T9	11-12 014 4419	382
1444.TA	11-12 321 0030	373
1444.TE	11-12 321 0031	378
1444.TF	11-12 321 0011	378
1444.TG	11-12 321 0036	379
1444.TJ	11-12 321 0014	384
1444.TK	11-12 321 0022	372
1444.TL	40-12 321 0001	372
1444.TP	11-12 321 0032	372
1444.TT	11-12 321 0027	379
1444.TV	11-12 321 0019 11-12 330 0001/S	1, 379
1444.TY	11-12 014 4402	369
1444.TZ	11-12 321 0003	380
1444.V3	11-12 321 0018	380
1444.VF	11-12 321 0010	381
1444.VH	11-12 321 0015	384
1444.VJ	11-12 321 0002	374
1444.VK	11-12 321 0024	381
1444.VL	11-12 321 0016	381
1444.VQ	11-12 321 0001	371
1444.VT	11-12 014 4419	382
1444.VV	11-12 014 4419	382
1444.VW	11-12 321 0038	382
1444.VX	11-12 321 0029	382
1444.W8	11-12 014 4419	382
1444.WA	11-12 321 0041	383
1444.WH	11-12 321 0010	381
1444.WN	11-12 321 0023	376
1444.WP	11-12 321 0042	376
1444.WW	32-12 321 0002	383
1444.X0	11-12 321 0002	374
1444.X1	11-12 321 0015	384
1444.X3	11-12 321 0009	383
1444.X4	11-12 321 0015	384
1444.X5	11-12 321 0014	384
1444.X7	11-12 321 0009	383
1444.XC	11-12 321 0021	385
1444.XE	11-12 321 0025	385
1444.XF	11-12 321 0032	372
1444.XG	11-12 321 0013	377
1444.XK	212 321 0023	385
1444.XD	11-12 321 0002	374
14 716 540 80	11-16 030 0008/HD	438-439

Ref. no.	MEYLE no.	Page
<b>Citroën</b>		
	11-16 030 7528	
14 99 936 080	11-14 800 0008	245
1525.H8	40-14 919 0005	397
1525.KJ	11-14 919 0009	398
1525.PY	11-14 919 0011	398
1525.Q4	11-14 919 0009	398
1563.J4	11-14 812 0011	294
1567.78	314 133 2108	390
1567.79	614 818 0002	390
1567.85	614 323 0002	390
1567.A5	614 323 0002	390
1567.C6	614 323 0002	390
16 062 256 80	025 235 0715	131
16 062 675 80	40-14 322 0001	408
16 062 676 80	614 323 0004	397
16 062 917 80	11-14 752 0006	636
16 062 918 80	32-14 752 0004	647
16 062 920 80	32-15 523 0020/PD	41
16 063 082 80	40-15 521 1001	53
16 063 086 80	11-15 521 0038 11-15 521 0038/PD	82-83
16 063 087 80	40-15 521 1000	57
16 063 219 80	215 521 0002 215 521 0002/PD	68
16 063 746 80	214 650 0013	635
16 063 747 80	40-14 752 0002	636
16 063 750 80	11-14 650 0014	625
16 063 751 80	11-14 650 0013	627
16 063 757 80	32-15 521 0025 32-15 521 0025/PD	64-65
16 063 849 80	214 323 0004	392
16 064 009 80	215 521 0018	60
16 064 014 80	11-15 521 0018 11-83 521 0018/PD	41-42
16 064 017 80	215 523 0006	46
16 064 804 80	11-14 890 0003	296
16 066 235 80	11-14 650 0007	625
16 066 311 80	16-14 533 0012 16-14 533 0012/K	163
16 066 355 80	214 750 0002	637
16 070 831 80	025 248 8318	88
16 070 832 80	025 209 6117 025 209 6117/PD	88-89
16 072 371 80	11-14 498 0029	193
16 072 917 80	11-16 031 0019	445
16 072 927 80	11-16 030 7528	439

Ref. no.	MEYLE no.	Page
<b>Citroën</b>		
16 072 928 80	216 031 0004	443
16 072 931 80	11-16 030 0001	443
16 072 933 80	11-16 031 0009	444
16 072 944 80	216 031 0005	445
16 072 950 80	11-16 010 3347	468
16 072 951 80	40-16 010 0002	470
16 072 952 80	40-16 010 0002	470
16 072 974 80	11-16 010 0000	471
16 072 975 80	11-16 010 0008 11-16 610 0004/HD	470, 532
16 072 976 80	11-16 010 0008 11-16 610 0004/HD	470, 532
16 072 984 80	11-16 010 0013 11-16 610 0005 11-16 610 0006	472, 529, 531
16 072 985 80	11-16 010 0013 11-16 610 0005 11-16 610 0006	472, 529, 531
16 072 986 80	11-16 010 0031 11-16 050 0035	468, 524
16 073 013 80	11-16 050 0033	492
16 073 014 80	11-16 050 0032	483
16 073 029 80	11-14 610 0038 11-16 050 0039 214 610 0000	475, 519-520
16 073 030 80	11-14 610 0038 11-16 050 0038 214 610 0000	475, 519-520
16 073 046 80	11-16 050 0050 30-14 610 0041 30-14 610 0042	485, 508
16 073 047 80	11-16 050 0051 30-14 610 0041 30-14 610 0042	493, 508
16 073 048 80	11-16 050 0019	482
16 073 049 80	11-16 050 0020	491
16 073 050 80	11-16 050 0053 11-16 610 0005	476, 529
16 073 051 80	11-16 050 0052 11-16 610 0005	476, 529
16 073 117 80	11-16 050 0023	484
16 073 118 80	11-16 050 0013	493
16 073 137 80	11-16 050 0019	482
16 073 138 80	11-16 050 0020	491
16 073 141 80	11-16 050 0048/HD	487
16 073 142 80	11-16 050 0049/HD	496

Ref. no.	MEYLE no.	Page
<b>Citroën</b>		
16 073 145 80	11-16 050 0010/HD	486
16 073 146 80	11-16 050 0009/HD	495
16 073 149 80	216 060 0007	464
16 073 152 80	216 020 0062	465
16 073 161 80	11-16 020 5703/HD	457
16 073 162 80	40-16 020 5723/HD	466
16 073 163 80	40-16 020 5724/HD	465
16 073 206 80	11-16 020 5042	465
16 073 209 80	11-16 020 7529	464
16 073 213 80	40-16 020 0002	457
16 073 214 80	11-16 020 0008	457
16 073 215 80	11-16 020 0011	458
16 073 216 80	11-16 020 0012	458
16 073 225 80	11-16 060 0040	548
16 073 230 80	11-16 060 5041/HD	560
16 073 234 80	11-16 060 0026	553
16 073 247 80	11-16 060 5046/HD	548
16 073 250 80	11-16 060 0000/HD	551
16 073 253 80	11-16 060 0032	549
16 073 260 80	11-16 060 0033	558
16 073 261 80	11-16 060 0014	550
16 073 262 80	11-16 060 0015	549
16 073 268 80	11-16 060 0018/HD 11-16 060 0034	545-546
16 073 269 80	11-16 060 0017/HD 11-16 060 0035	546-547
16 074 019 80	11-14 919 0011	398
16 074 983 80	32-14 710 0007 32-16 050 0087	477, 507
16 074 987 80	32-16 035 0002	526
16 075 005 80	32-15 523 0015/PD	50
16 075 024 80	32-16 020 0000	451
16 075 106 80	11-16 050 0084	477
16 075 107 80	11-16 050 0083	478
16 076 733 80	30-12 321 0016	386
16 076 903 80	025 235 8416/W	89
16 076 904 80	025 235 8416/W	89
16 076 909 80	11-14 641 0016	616
16 076 912 80	11-14 641 0015	616
16 077 037 80	40-14 752 0001	648
16 077 039 80	11-14 750 0015	644
16 077 041 80	11-14 650 0008	632
16 077 043 80	11-14 750 0016	640
16 077 044 80	11-14 750 0034	638
16 077 045 80	40-14 750 0002	630
16 077 413 80	16-14 495 0021	188

Ref. no.	MEYLE no.	Page
<b>Citroën</b>		
16 077 415 80	214 495 0021	188
16 078 499 80	32-14 860 0007	257
16 078 528 80	32-13 220 0017	366
16 078 720 80	215 521 0004 283 521 0004/PD	42-43
1607872180	215 521 0029	43
1607872280	215 521 0003 283 521 0003/PD	44
1607872380	215 521 0021 283 521 0021/PD	45
16 078 804 80	215 523 0012	46
1607880580	215 523 0006 215 523 0006/PD	46-47
16 078 806 80	215 523 0028	62
16 08 025 180	11-16 020 0034	451
16 08 025 280	11-16 020 0033	452
16 080 253 80	11-16 031 0014/HD 11-16 031 0031	450-451
16 080 326 80	11-14 498 0028	194
16 08 076 280	214 597 0000	408
16 085 054 80	214 498 0071	226
16 085 055 80	214 498 0071	226
1608505580	214 498 0064	194
16 085 203 80	025 209 6117 025 209 6117/PD	88-89
16 085 206 80	025 249 2217	107
16 085 321 80	11-16 031 0032	439
16 08 652 180	40-16 031 0001/HD	439
16 086 522 80	11-16 020 0009	455
16 086 523 80	11-16 020 0010	454
16 086 815 80	025 209 6117 025 209 6117/PD	88-89
16 086 816 80	025 249 2217	107
16 086 913 80	025 252 5118	90
16 086 916 80	11-15 521 0033 11-15 521 0033/PD	55-56
16 087 273 80	11-14 030 0015	414
16 087 326 80	11-14 498 0028	194
16 089 577 80	11-14 498 0028	194
16 089 578 80	11-14 498 0029	193
16 090 006 80	025 258 3917	138
16 090 009 80	025 258 2717	137
16 092 499 80	11-15 523 4103	67
16 092 528 80	025 209 6117 025 209 6117/PD	88-89
16 092 532 80	025 237 0617/W	117

Ref. no.	MEYLE no.	Page
<b>Citroën</b>		
16 092 746 80	40-14 641 0008	617
16 092 747 80	40-14 641 0007	616
1609417180	11-13 220 0006	366
1609417480	11-13 220 0017	367
16 094 176 80	11-13 220 0004 11-13 220 0004/HD	361
16 094 280 80	11-12 319 0008/S 11-12 326 0008/PD 11-12 330 0000/SK 11-12 330 0001/S	1, 29
16 094 281 80	11-12 320 0008/S	28
1609582880	11-15 523 0014 11-15 523 0014/PD	47-48
1609583080	11-15 523 0015 11-15 523 0015/PD	48-49
16 096 881 80	16-14 870 0003	13
16 098 983 80	025 258 3617	137
16 098 985 80	025 258 3317	92
1609899680	025 256 8814	90
16 099 010 80	32-15 521 0030/PD	49
16 099 073 80	32-12 321 0012	389
16 099 103 80	11-14 752 0008	637
16 099 105 80	11-14 752 0007	638
16 099 134 80	32-16 035 0002	526
16 099 303 80	11-14 870 0001	13
16 099 482 80	16-16 020 0041/HD	452
16 09 948 380	16-16 020 0042/HD	452
16 099 575 80	050 006 1370	309
16 099 879 80	025 235 8919	121
16 099 989 80	11-12 319 0010 11-12 320 0010 11-12 326 0010/PD	30-31
16 101 038 80	025 243 3218 025 243 3218/PD	105, 134
16 101 040 80	025 250 6917	90
16 101 376 80	11-14 650 0017	626
1610179780	40-26 623 0028	587
1610179880	40-26 623 0028	587
16 102 756 80	025 235 0715	131
1610278080	11-13 220 0021	367
16 104 896 80	025 235 9919 025 235 9919/PD	101
16 105 615 80	11-14 498 0051	231
16 106 230 80	32-15 523 0015/PD	50
1610693780	40-14 322 0002	412
16 108 175 80	11-14 620 0025	433

Ref. no.	MEYLE no.	Page
<b>Citroën</b>		
16 108 176 80	40-16 031 0002/HD	440
16 108 177 80	40-16 020 0001/HD	453
16 108 178 80	40-16 020 0000/HD	453
16 109 113 80	214 650 0013	635
16 109 114 80	11-14 650 0012	633
16 109 115 80	40-14 650 0000	626
16 109 116 80	11-14 750 0029	634
16 109 120 80	11-14 750 0034	638
16 109 299 80	216 060 0033	556
16 109 302 80	11-16 060 0000/HD	551
16 109 303 80	11-16 060 0037	547
16 109 305 80	11-16 060 0036	551
16 109 346 80	11-16 010 0014	472
16 109 351 80	11-16 020 0009	455
16 109 352 80	11-16 020 0010	454
16 109 355 80	11-16 031 0007	440
16 109 357 80	11-16 020 0028	461
16 109 358 80	11-16 020 0029	461
16 109 359 80	11-16 031 0025	446
16 109 360 80	11-16 020 0017	459
16 109 361 80	11-16 020 0018	459
16 109 362 80	11-16 020 0025	463
16 109 363 80	11-16 020 0024	463
16 109 365 80	11-16 020 0023	462
16 109 368 80	11-16 020 0022	463
16 109 369 80	11-16 031 0021	447
16 109 371 80	216 020 0015	461
16 109 372 80	216 020 0016	462
16 109 373 80	16-16 020 0041/HD	452
16 109 374 80	16-16 020 0042/HD	452
16 109 377 80	11-16 031 0023	440
16 109 385 80	11-16 030 5749	450
16 109 396 80	11-16 020 0016/HD	460
16 109 397 80	11-16 020 0015/HD	453
16 109 398 80	32-16 020 0000	451
16 109 418 80	11-16 020 0019	455
16 109 423 80	11-16 031 0020	447
16 109 425 80	11-16 031 0030	441
1610976380	11-16 031 0012/HD 11-16 031 0022	441
16 109 764 80	11-16 020 0015/HD	453
16 109 783 80	32-14 650 0006	629
16 111 405 80	025 248 8318	88
16 111 406 80	025 235 9919 025 235 9919/PD	101
16 111 408 80	025 244 6519	103

Ref. no.	MEYLE no.	Page
<b>Citroën</b>		
16 111 409 80	025 236 0019 025 236 0019/PD	115-116
16 11 204 980	050 006 1060	310
16 112 421 80	40-16 020 0001/HD	453
16 112 422 80	40-16 020 0000/HD	453
16 112 423 80	11-16 031 0037/HD	442
16 112 939 80	025 235 9919 025 235 9919/PD	101
16 113 137 80	40-14 641 0008	617
16 113 139 80	40-14 641 0007	616
16 113 346 80	025 234 0919	131
16 113 350 80	025 231 2419/PD 025 231 2419/W	98
16 113 485 80	029 650 4750	16
16 114 228 80	11-14 009 0009	303
16 114 229 80	16-14 009 0012	303
16 114 245 80	11-14 903 1003	301
16 114 252 80	11-14 903 1002	301
16 114 298 80	32-15 521 0025	64
1611448780	40-26 623 0028	587
16 114 563 80	025 209 6117 025 209 6117/PD	88-89
16 114 564 80	025 232 7717/W	129
16 114 569 80	025 239 5917	114
1611457380	025 244 6819-1/PD 025 244 6819/W1	91
16 114 574 80	025 244 6519	103
16 114 577 80	025 239 2120	114
16 114 580 80	025 217 9719/W	109
16 114 581 80	025 218 0119/W	125
16 114 585 80	025 210 8017/W	123
16 114 589 80	025 241 3317/W	115
16 115 008 80	32-14 650 0004	636
16 115 478 80	30-14 885 0005	272
16 115 501 80	30-13 220 0026	368
16 116 678 80	32-15 523 0020/PD	41
16 118 378 80	025 248 8318	88
16 118 379 80	025 209 6117 025 209 6117/PD	88-89
16 118 380 80	025 249 2217	107
16 118 389 80	025 235 8216 025 235 8216/PD	108
16 118 391 80	025 244 6819/W2	93
16 118 392 80	025 244 6619/W1	112
16 118 393 80	025 250 6917	90
16 118 395 80	025 245 7816	136

Ref. no.	MEYLE no.	Page
<b>Citroën</b>		
16 118 398 80	025 245 9518/W	136
16 118 400 80	025 252 2018	116
16 118 408 80	11-15 523 4008 11-15 523 4104	63-64
16 118 410 80	215 523 0029	87
16 118 412 80	215 521 0021 283 521 0021/PD	45
16 118 414 80	11-15 521 0045/PD	72
16 118 415 80	11-15 523 0012/PD	73
1611841680	215 521 0019	50
16 118 417 80	11-15 521 0034/PD	66
16 118 418 80	215 521 0033	85
1611841980	215 521 0024 215 521 0024/PD	51
1611842080	215 521 0029	43
16 118 421 80	215 523 0028	62
16 118 561 80	32-14 710 0005 32-14 710 0010	564, 566
16 124 123 80	025 258 3317	92
16 124 253 80	30-28 228 0009	355
16 124 336 80	025 244 6619/W1	112
16 124 337 80	025 244 6619/W2	113
1612433880	025 244 6819-1/PD 025 244 6819/W1	91
1612433980	025 244 6819-2/PD 025 244 6819/W2	92-93
16 124 340 80	025 259 8721/PD	93
1612434180	025 220 4119 025 220 4119/PD	94
16 124 351 80	215 521 0029	43
16 124 352 80	215 521 0029	43
1612435380	215 521 0021 283 521 0021/PD	45
1612435480	215 521 0021 283 521 0021/PD	45
16 124 357 80	11-15 523 0046/PD	52
16 124 358 80	11-15 523 0046/PD	52
16 124 483 80	32-16 050 0093/HD	489
16 124 484 80	32-16 050 0092/HD	498
16 124 967 80	40-12 321 0002	386
16 126 902 80	11-14 498 0039	195
16 127 359 80	214 641 0021	617
16 127 361 80	214 641 0020	617
1612736480	11-14 615 0013 11-14 615 0013/S 11-16 060 0022/S	533, 544, 547

Ref. no.	MEYLE no.	Page
<b>Citroën</b>		
1612743580	40-26 623 0028	587
1612744480	40-26 623 0028	587
16 127 533 80	32-14 610 0005	510
16 127 547 80	32-16 035 0002	526
161290658X	214 641 0028	618
16 129 074 80	214 810 0001	253
16 131 351 80	11-14 650 0008	632
16 131 912 80	11-15 521 0033 11-15 521 0033/PD	55-56
16 131 913 80	11-15 521 0017	73
16 131 922 80	025 235 9919 025 235 9919/PD	101
16 131 925 80	025 248 8318	88
16 131 932 80	025 235 9919 025 235 9919/PD	101
16 131 934 80	025 209 6117 025 209 6117/PD	88-89
16 132 532 80	32-14 821 0000	287
16 132 607 80	025 225 9417	93
16 133 066 80	11-14 498 0036 11-14 498 0051	195, 231
16 135 185 80	40-13 220 0004	363
16 136 847 80	226 725 0013	603
16 137 166 80	40-14 752 0002	636
16 137 167 80	40-14 750 0003	630
16 137 168 80	40-14 750 0001	648
16 137 170 80	11-14 750 0014	640
16 137 171 80	11-14 650 0016	629
16 137 173 80	11-14 750 0022	645
16 138 198 80	11-15 521 0037 11-15 521 0037/PD	70
16 138 380 80	714 009 0003	304
16 138 384 80	11-14 009 0012	304
16 139 914 80	11-16 050 0082/HD	478
16 139 915 80	11-16 050 0081/HD	479
16 140 058 80	025 235 9919 025 235 9919/PD	101
16 141 119 80	11-14 323 0005	391
16 141 914 80	30-14 610 0041 30-14 610 0042 30-16 010 0083/HD 30-16 050 0135/HD	469, 479, 508
16 141 916 80	30-14 610 0041 30-14 610 0042 30-16 010 0083/HD 30-16 050 0136/HD	469, 480, 508

Ref. no.	MEYLE no.	Page
<b>Citroën</b>		
1614412180	025 220 4119 025 220 4119/PD	94
16 144 183 80	40-16 050 0002/HD	482
16 144 184 80	40-16 050 0004/HD	490
16 144 392 80	11-16 010 3356	474
16 144 474 80	11-16 050 0036/HD	502
16 144 475 80	11-16 050 0037/HD	502
16 144 476 80	40-16 050 0002/HD	482
16 144 477 80	40-16 050 0004/HD	490
16 156 468 80	11-12 320 0014 11-12 326 0014/PD	25
16 163 688 80	40-12 321 0002	386
16 163 945 80	11-15 523 0047/PD	52
16 163 998 80	30-14 322 0000	411
16 168 726 80	025 209 6117 025 209 6117/PD	88-89
16 168 727 80	025 249 2217	107
16 172 479 80	025 209 7311 025 209 7311/PD	102
16 172 483 80	025 210 8017/W	123
16 172 489 80	025 212 6717/W	118
16 172 492 80	025 218 0119/W	125
16 172 501 80	025 209 6117 025 209 6117/PD	88-89
16 172 505 80	025 230 4218/W	127
16 172 519 80	025 216 3117/W	99
16 172 523 80	025 218 2717	126
16 172 541 80	025 216 7419/W	125
16 172 544 80	025 231 2419/W	98
16 172 556 80	025 201 6215	122
16 172 560 80	025 233 9617	100
16 172 571 80	025 232 7717/W	129
16 172 583 80	025 202 6119/W	122
16 172 648 80	025 239 5917	114
16 172 650 80	025 244 6519	103
16 172 652 80	025 235 8216	108
16 172 701 80	025 241 3317/W	115
16 172 702 80	025 234 0919	131
16 172 725 80	025 250 6917	90
16 172 726 80	025 249 2217	107
16 172 731 80	025 231 2419/W	98
16 172 732 80	025 252 2018	116
16 172 733 80	025 245 5719	135
16 172 741 80	025 232 7318	121
16 172 756 80	025 248 8318	88
16 172 765 80	025 212 7517	124

Ref. no.	MEYLE no.	Page
<b>Citroën</b>		
16 172 790 80	025 236 0219/W	132
16 172 795 80	025 245 9518/W	136
16 172 804 80	025 217 9719/W	109
16 172 809 80	025 245 7816	136
16 172 817 80	025 239 2120	114
16 172 829 80	025 235 9919 025 235 9919/PD	101
16 172 845 80	025 244 6619/W1	112
16 173 005 80	11-14 498 0051	231
16 179 368 80	025 225 8818 025 225 8818/PD	95
16 179 697 80	11-14 650 0016	629
16 186 492 80	214 650 0010	635
16 188 452 80	11-14 650 0017	626
16 188 596 80	11-15 521 0042 11-15 521 0042/PD	71, 83
16 188 597 80	11-15 521 0032	82
16 188 598 80	11-15 521 0012	77
16 188 599 80	11-15 521 0001	72
16 188 603 80	11-15 521 0015	80
16 188 619 80	11-15 523 0008 11-15 523 0008/PD	59
16 188 623 80	11-15 521 0037	70
16 188 625 80	11-15 521 0038 11-15 521 0038/PD	82-83
16 188 627 80	11-15 521 0018 11-83 521 0018/PD	41-42
16 188 628 80	11-15 521 0035	54
16 188 629 80	215 523 0012	46
16 188 634 80	215 523 0006	46
16 188 635 80	11-15 521 0006	80
16 188 636 80	215 521 0005	85
16 188 643 80	215 523 0029	87
16 188 644 80	11-15 521 0031 11-15 521 0031/PD	81
16 188 645 80	215 521 0021 283 521 0021/PD	45
16 188 647 80	11-15 521 0045/PD	72
16 188 648 80	11-15 523 0012/PD	73
16 188 649 80	11-15 521 0034/PD	66
16 188 650 80	215 521 0033	85
16 188 651 80	215 521 0024 215 521 0024/PD	51
16 188 652 80	215 521 0029	43
16 188 653 80	215 523 0028	62
16 188 782 80	215 521 0018	60

Ref. no.	MEYLE no.	Page
<b>Citroën</b>		
16 188 797 80	215 521 0002 215 521 0002/PD	68
16 188 903 80	11-15 521 0033 11-15 521 0033/PD	55-56
16 188 904 80	11-15 521 0017 11-83 521 0017/PD	73-74
1618.HC	11-14 803 0005	276
1618.Q5	11-14 803 0003	276
16 191 098 80	214 750 0002	637
16 192 379 80	11-15 523 4102	61
16 192 387 80	11-15 523 4103	67
16 192 388 80	11-15 523 4008 11-15 523 4104	63-64
16 196 074 80	025 213 8115	116
16 197 905 80	025 252 5118	90
16 197 906 80	025 209 6117 025 209 6117/PD	88-89
16 197 907 80	025 256 8814	90
16 197 908 80	025 258 3917	138
16 197 910 80	025 258 3617	137
16 197 911 80	025 258 3317	92
16 197 912 80	025 258 2717	137
16 202 985 80	11-14 641 0004	623
16 203 684 80	025 213 6315/W	124
16 203 686 80	025 256 8814	90
16 227 103 80	11-16 050 0019 11-16 610 0010	482, 530
16 227 106 80	11-16 050 0020 11-16 610 0010	491, 530
16 227 110 80	11-16 050 0019	482
16 227 112 80	11-16 050 0020	491
16 230 631 80	025 209 6117 025 209 6117/PD	88-89
16 230 987 80	11-13 220 0021	367
16 231 408 80	11-16 031 0036	442
16 231 410 80	40-16 020 0005	454
16 231 411 80	40-16 020 0006	454
16 231 603 80	025 245 9518/W	136
16 231 623 80	025 258 3417	95
16 231 805 80	025 209 6117 025 209 6117/PD	88-89
16 231 808 80	025 249 2217	107
16 232 327 80	029 650 4750	16
16 233 141 80	40-26 725 0006	602
16 235 619 80	30-13 220 0026	368
16 238 351 80	11-15 523 4105	53

Ref. no.	MEYLE no.	Page
<b>Citroën</b>		
16 238 423 80	025 244 6819-1/PD	91
16 238 426 80	025 244 6619/W2	113
16 239 418 80	40-14 752 0001	648
16 239 422 80	11-14 650 0008	632
16 239 424 80	11-14 750 0016	640
16 239 425 80	40-14 750 0002	630
16 239 432 80	40-14 750 0003	630
16 239 433 80	40-14 750 0001	648
16 239 450 80	11-14 650 0015	628
16 239 456 80	11-14 750 0029	634
16 239 466 80	11-14 750 0018	644
16 239 479 80	214 650 0013	635
16 239 480 80	40-14 650 0000	626
16 239 483 80	11-14 033 5016	631
16 239 485 80	11-14 650 0002	631
16 239 488 80	11-14 650 0007	625
16 265 144 80	613 220 0002	365
16 271 626 80	40-14 800 0028	252
1628.1E	37-14 813 0001	295
1628.3W	11-14 803 0007	277
16 285 642 80	40-26 623 0028	587
16 285 643 80	40-26 623 0028	587
16 289 417 80	11-13 220 0028	368
16 289 501 80	11-16 020 0033	452
16 289 502 80	11-16 020 0034	451
16 289 503 80	11-16 020 0010	454
16 289 504 80	11-16 020 0009	455
1628.9A	11-14 803 0010	277
1628.CX	11-14 803 0001	276
1628.HV	11-14 803 0001	276
1628.L1	37-14 813 0001	295
1628.V4	11-14 803 0007	277
1628.YK	11-14 803 0010	277
16 290 383 80	025 248 8318	88
16 290 588 80	11-15 521 0017 11-83 521 0017/PD	73-74
16 306 331 80	11-15 521 0037	70
16 310 569 80	616 020 0031	455
16 316 899 80	212 321 0028	389
1631724180	214 030 0032	414
16 318 317 80	025 209 6117 025 209 6117/PD	88-89
16 322 655 80	11-14 650 0017	626
16 335 689 80	050 006 0950	309
16 339 848 80	050 006 1450	331
16 339 863 80	050 006 1438	332

Ref. no.	MEYLE no.	Page
<b>Citroën</b>		
16 348 824 80	11-16 060 5041/HD	560
16 348 838 80	11-16 060 0040	548
16 348 916 80	216 060 0033	556
16 349 043 80	11-16 060 0033	558
16 349 096 80	11-16 060 0036	551
16 352 549 80	025 207 6417/PD	96
16 356 453 80	050 006 1390	312
16 356 454 80	050 006 1680	315
16 356 455 80	050 006 1698	332
16 356 771 80	025 256 8814	90
16 357 705 80	11-16 031 0025	446
16 357 708 80	11-16 031 0030	441
16 357 721 80	11-16 020 0010	454
16 357 723 80	11-16 020 0009	455
16 357 730 80	11-16 020 0028	461
16 364 102 80	11-14 650 0007	625
16 364 139 80	025 258 3917	138
16 369 254 80	025 258 3417	95
16 369 960 80	11-14 903 1002	301
16 370 145 80	025 235 9919	101
16 371 708 80	214 860 0003	257
16 371 729 80	11-13 220 0021	367
16 427 604 80	11-15 521 0030 11-15 521 0030/PD	74-75
16 427 650 80	11-15 521 0041 11-15 521 0041/PD	79
16 427 666 80	215 523 0012	46
16 427 667 80	215 523 0006	46
16 427 763 80	11-15 523 0014 11-15 523 0014/PD	47-48
16 427 764 80	11-15 523 0015	48
16 431 885 80	11-16 050 0010/HD	486
16 431 887 80	11-16 050 0072/HD	487
16 431 889 80	11-16 050 0009/HD	495
16 431 891 80	11-16 050 0071/HD	495
16 431 893 80	11-16 050 0111/HD	480
16 435 742 80	025 209 6117 025 209 6117/PD	88-89
16 461 861 80	025 235 9919 025 235 9919/PD	101
16 466 219 80	11-16 060 0001/HD 11-16 060 0026	553
16 478 530 80	025 258 3617	137
16 478 573 80	11-14 650 0017	626
16 478 635 80	025 248 8318	88
16 488 366 80	11-16 031 0039	442



Ref. no.	MEYLE no.	Page
<b>Citroën</b>		
16 488 367 80	11-16 031 0039	442
16 678 170 80	025 258 3417	95
16 682 474 80	025 209 6117 025 209 6117/PD	88-89
16 735 974 80	025 225 9417	93
16 736 061 80	11-14 631 0006	429
16 759 012 80	025 235 8919	121
1690.01	11-15 521 0042 11-15 521 0042/PD	71, 83
1690.02	11-15 521 0032 11-83 521 0032/PD	58, 82
1690.03	11-15 521 0031 11-15 521 0031/PD	81
1690.04	11-15 521 0012	77
1690.14	11-15 521 0036 11-15 521 0036/PD	56-57
1691.15	11-15 523 0010 11-15 523 0010/PD	76-77
1720.59	025 231 2419/PD 025 231 2419/W	98
1720.66	025 212 6717/PD 025 212 6717/W	117-118
1720.82	025 219 8018 025 219 8018/PD	100, 126
1721.03	025 233 9617	100
1722.01	025 209 7311 025 209 7311/PD	102
17 689 400	16-14 531 0012	187
1806.27	11-14 030 0028	414
1806.28	11-14 184 0016	413
1806.59	40-14 030 0003	415
1806.68	11-14 030 0028	414
1806.69	11-14 184 0030	415
1806.74	11-14 184 0016	413
1806.84	40-14 030 0003	415
1806.91	214 030 0033	415
1806.93	11-14 030 0017	416
1806.95	214 030 0032	414
1806.96	40-14 030 0003	415
1806.A0	11-14 030 0086	416
1806.A6	11-14 030 0017	416
1806.H0	11-14 030 0086	416
1806.H1	11-14 030 0028	414
1806.H4	214 030 0080/HD	416
1806.J8	11-14 030 0017	416
1807.FF	11-14 030 0184	417

Ref. no.	MEYLE no.	Page
<b>Citroën</b>		
1807.GJ	11-14 030 0184	417
1807.GP	11-14 030 0030	417
1807.GR	11-14 030 0015	414
1807.GW	11-14 030 0019	417
1807.KE	214 030 0070	418
1807.KF	214 030 0071	426
1807.N7	11-14 030 0029	418
1807.S7	214 030 0004	419
1809.16	11-14 180 0001	419
1809.21	11-14 180 0004	419
1809.28	11-14 030 0029	418
1809.29	11-14 180 0004	419
1809.30	40-14 030 0001	420
1809.33	40-14 030 0001	420
1813.92	40-14 030 0002	420
1813.L2	11-14 030 0024	421
1821.36	214 030 0029	421
1827.10	11-14 184 0024	421
1827.23	11-14 184 1013	422
1839.97	11-14 030 0031	422
1839.H7	11-14 030 0031	422
1839.H8	11-14 030 0031	422
1839.J1	11-14 030 0031	422
1844.36	11-14 184 0015	422
1844.47	11-14 184 1013	422
1844.68	11-14 184 0015	422
1844.72	11-14 184 0005	423
1844.75	11-14 184 0025	423
1844.77	11-14 184 1013	422
1844.91	11-14 030 0007	424
1844.92	40-14 030 0005	423
1844.A8	11-14 184 0002	424
1844.C0	11-14 030 0007	424
1844.C6	11-14 030 0014	424
1844.C7	11-14 030 0014	424
1846.66	11-14 184 0009	425
1846.C1	214 030 0034	425
1846.C2	214 030 0030	425
1854.20	11-14 030 0028	414
1854.25	214 030 0035	426
1901.68	16-14 323 0000	391
1901.70	16-14 323 0000	391
1901.75	16-14 323 0000	391
1901.78	11-14 323 0006	392
1901.85	16-14 323 0000	391
1901.95	11-14 323 0006	392

Ref. no.	MEYLE no.	Page
<b>Citroën</b>		
1901.97	11-12 330 0001/S 11-14 323 0003	1, 397
1901.A3	214 323 0004	392
1904.46	11-12 330 0001/S 11-14 323 0003	1, 397
1906.32	100 323 0007	392
1906.33	11-14 323 0002	393
1906.43	11-14 323 0002	393
1906.49	214 323 0001	393
1906 50	214 323 0002	394
1906.51	214 323 0002	394
1906 52	614 323 0000	394
1906.53	614 323 0000	394
1906.67	11-14 323 0001	394
1906.77	11-16 323 0000	395
1906.88	100 127 0005	395
1906.90	714 323 0004	395
1906.94	214 323 0000	396
1906.98	614 323 0004	397
1906.A5	11-16 323 0000	395
1906.A6	11-16 323 0000	395
1906.A7	714 323 0012	396
1906.A9	214 323 0001	393
1906.C0	714 323 0004	395
1906.C1	11-14 323 0002	393
1906.C3	11-14 323 0001	394
1906.C4	614 323 0004	397
1906.C5	214 323 0002	394
1906.C9	100 323 0007	392
1906.E6	11-12 330 0001/S 11-14 323 0003	1, 397
1920.0E	11-14 812 0007	292
1920.1H	11-14 813 0000	295
1920.3F	214 821 0006	286
1920.5V	11-14 810 0003	253
1920.7T	11-14 812 0008	293
1920.7V	40-14 800 0005	287
1920.9H	11-14 812 0007	292
1920.AC	11-14 812 0003	290
1920.AJ	11-14 812 0004	290
1920.AV	11-14 810 0003	253
1920.AW	40-14 800 0009	254
1920.C4	11-14 821 0015	286
1920.CP	214 810 0004	254
1920.EH	40-14 800 0004	254
1920.EN	40-14 800 0010	255

Ref. no.	MEYLE no.	Page
<b>Citroën</b>		
1920.EW	214 810 0001	253
1920.FP	40-14 800 0010	255
1920.FR	11-14 811 0000	273
1920.FT	11-14 812 0002	292
1920.FY	40-14 800 0005	287
1920.GF	11-14 812 0012	273
1920.GH	11-14 812 0006	292
1920.GJ	11-14 810 0004	256
1920.J7	11-14 812 0011	294
1920.JL	11-14 812 0012	273
1920.KN	30-14 812 0004	294
1920.LA	714 812 0004	295
1920.LG	11-14 812 0010	293
1920.LH	11-14 812 0009	290
1920.LS	11-14 810 0000	289
1920.LT	11-14 811 0000	273
1920.PJ	11-14 812 0012	273
1920.PW	314 810 0009	256
1920.QN	40-14 800 0005	287
1920.QR	11-14 812 0005	291
1920.SQ	214 899 0001	255
1920.SR	214 810 0000	289
1920.TS	214 810 0000	289
1920.Z4	37-14 813 0001	295
2209.40	11-14 135 0001 11-14 139 0001	233, 406
2257.56	614 123 0001	299
2263.33	11-14 136 0001	233
2267.09	714 135 0102 714 135 0102/XK 714 137 0002	232, 234
2529.28	16-14 840 0003	300
3247.03	014 098 9017	188
3272.00	40-14 498 0038	195
3272.10	40-14 498 0002	228
3272.18	11-14 498 0010	196
3272.1F	40-14 498 0078	196
3272.1Q	40-14 498 0019	197
3272.1X	11-14 498 0017 40-14 498 0037 40-14 498 0050 40-14 498 0068	202, 214-215
3272.20	40-14 498 0038	195
3272.2Q	40-14 498 0040	197
3272.2X	40-14 498 0037 40-14 498 0050	202, 215

Ref. no.	MEYLE no.	Page
<b>Citroën</b>		
	40-14 498 0068	
3272.3Q	40-14 498 0040	197
3272.4K	40-14 498 0038	195
3272.51	40-14 498 0022	200
3272.54	40-14 498 0016	198
3272.5K	40-14 498 0038	195
3272.5L	40-14 498 0034	197
3272.5X	40-14 498 0079	198
3272.65	40-14 498 0035	208
3272.6W	40-14 498 0027 40-14 498 0075	199, 215
3272.6Y	40-14 498 0034	197
3272.76	40-14 498 0038	195
3272.7S	40-14 498 0075	199
3272.8J	40-14 498 0016	198
3272.8R	40-14 498 0075	199
3272.8S	40-14 498 0075	199
3272.9C	40-14 498 0076 40-14 498 0082 40-14 498 0087	199, 216
3272.9J	40-14 498 0022	200
3272.9P	40-14 498 0019	197
3272.CJ	214 498 0078 214 498 0079	200, 217
3272.CQ	40-14 498 0011	201
3272.CR	40-14 498 0011	201
3272.EQ	40-14 498 0024	217
3272.ES	40-14 498 0023	225
3272.FG	11-14 498 0013	219
3272.FP	40-14 498 0075	199
3272.FT	11-14 498 0012	224
3272.FW	40-14 498 0025	224
3272.GE	11-14 498 0024	217
3272.GG	11-14 498 0024	217
3272.GY	214 498 0014	218
3272.J0	40-14 498 0017	201
3272.J1	40-14 498 0015	201
3272.J3	40-14 498 0017	201
3272.J4	40-14 498 0017	201
3272.J5	40-14 498 0015	201
3272.J6	40-14 498 0015	201
3272.JA	40-14 498 0026	218
3272.JY	30-14 498 0021	219
3272.K2	40-14 498 0038	195
3272.KL	11-14 498 0013	219
3272.LP	11-14 498 0013	219

Ref. no.	MEYLE no.	Page
<b>Citroën</b>		
3272.LV	40-14 498 0037	202
3272.LW	40-14 498 0037 40-14 498 0050 40-14 498 0068	202, 215
3272.NF	214 498 0080	219
3272.NP	11-14 498 0016 40-14 498 0043 40-14 498 0048	202, 220
3272.NQ	11-14 498 0016 40-14 498 0043 40-14 498 0048	202, 220
3272.NR	11-14 498 0053	226
3272.PA	214 498 0063 214 498 0067 214 498 0070	203, 220-221
3272.PC	214 498 0063 214 498 0067 214 498 0070	203, 220-221
3272.PV	11-14 498 0030	203
3272.PW	11-14 498 0030	203
3272.Q	40-14 498 0040	197
3272.R5	40-14 498 0038	195
3272.SE	11-14 498 0016 40-14 498 0043 40-14 498 0048	202, 220
3272.SF	11-14 498 0016 40-14 498 0043 40-14 498 0048	202, 220
3272.V0	40-14 498 0077 40-14 498 0082 40-14 498 0087	203, 216
3272.V3	40-14 498 0018	204
3272.V4	40-14 498 0018	204
3272.V5	40-14 498 0018	204
3272.V6	40-14 498 0077 40-14 498 0082 40-14 498 0087	203, 216
3272.VP	11-14 498 0053	226
3272.VT	11-14 498 0028	194
3272.VV	11-14 498 0028	194
3272.VW	11-14 498 0037 11-14 498 0052	204, 221
3272.VX	11-14 498 0037 11-14 498 0052	204, 221
3272.W5	40-14 498 0016	198
3272.W8	40-14 498 0022	200

Ref. no.	MEYLE no.	Page
<b>Citroën</b>		
3272.Y6	40-14 498 0034	197
3272.Y7	40-14 498 0034	197
3272.Y8	40-14 498 0034	197
3272.Z7	40-14 498 0075	199
3273.06	214 498 0074 40-14 498 0036	205, 222
3273.09	40-14 498 0029 40-14 498 0046	209, 223
3273.0K	40-14 498 0021	212
3273.0R	40-14 498 0028 40-14 498 0045	205, 222
3273.0S	40-14 498 0028 40-14 498 0045	205, 222
3273.0W	40-14 498 0031	206
3273.0X	40-14 498 0031	206
3273.10	40-14 498 0029 40-14 498 0046	209, 223
3273.13	40-14 498 0029 40-14 498 0046	209, 223
3273.15	214 498 0074 40-14 498 0036	205, 222
3273.17	40-14 498 0000	228
3273.18	40-14 498 0000	228
3273.1C	40-14 498 0039 40-14 498 0058	207, 223
3273.20	40-14 498 0000	228
3273.21	40-14 498 0000	228
3273.23	40-14 498 0000	228
3273.24	40-14 498 0000	228
3273.3Q	214 498 0074 40-14 498 0033	206, 222
3273.3Z	40-14 498 0039 40-14 498 0058	207, 223
3273.4J	40-14 498 0039 40-14 498 0058	207, 223
3273.56	40-14 498 0013	207
3273.5Q	40-14 498 0035	208
3273.5R	40-14 498 0035	208
3273.5S	214 498 0059 214 498 0074 40-14 498 0030	208, 212, 222
3273.5T	40-14 498 0012	209
3273.5V	40-14 498 0029 40-14 498 0046	209, 223
3273.5W	40-14 498 0029 40-14 498 0046	209, 223

Ref. no.	MEYLE no.	Page
<b>Citroën</b>		
3273.5Y	214 498 0074 40-14 498 0036	205, 222
3273.5Z	214 498 0074 40-14 498 0033	206, 222
3273.60	214 498 0006	223
3273.62	214 498 0006	223
3273.63	40-14 498 0021	212
3273.6A	40-14 498 0031	206
3273.6H	40-14 498 0039 40-14 498 0058	207, 223
3273.6K	40-14 498 0028 40-14 498 0045	205, 222
3273.79	40-14 498 0002	228
3273.7E	214 498 0074 40-14 498 0036	205, 222
3273.7F	40-14 498 0020	210
3273.7H	40-14 498 0041	210
3273.7J	40-14 498 0041	210
3273.7W	40-14 498 0028 40-14 498 0045	205, 222
3273.87	11-14 498 0009	210
3273.88	11-14 498 0009	210
3273.9Z	40-14 498 0027 40-14 498 0028 40-14 498 0045	205, 215, 222
3273.AA	40-14 498 0028 40-14 498 0045	205, 222
3273.AC	40-14 498 0032 40-14 498 0050	211, 215
3273.AE	40-14 498 0032 40-14 498 0050	211, 215
3273.AH	11-14 498 0018 40-14 498 0042	211, 225
3273.AJ	11-14 498 0018	225
3273.C8	40-14 498 0013	207
3273.C9	40-14 498 0021	212
3273.CJ	214 498 0059 214 498 0074 40-14 498 0030	208, 212, 222
3273.CN	40-14 498 0029 40-14 498 0046	209, 223
3273.CR	40-14 498 0074	213
3273.CY	11-14 498 0012	224
3273.EA	40-14 498 0025	224
3273.EG	11-14 498 0024	217
3273.EQ	40-14 498 0024	217

Ref. no.	MEYLE no.	Page
<b>Citroën</b>		
3273.ES	40-14 498 0023	225
3273.G2	40-14 498 0035	208
3273.GQ	214 498 0014	218
3273.HS	40-14 498 0026	218
3273.JR	30-14 498 0021	219
3273.K2	40-14 498 0028 40-14 498 0045	205, 222
3273.K3	40-14 498 0028 40-14 498 0045	205, 222
3273.KP	11-14 498 0018	225
3273.L9	40-14 498 0035	208
3273.LP	40-14 498 0032 40-14 498 0050	211, 215
3273.N2	40-14 498 0009	225
3273.NP	11-14 498 0016 40-14 498 0044	213, 220
3273.NQ	11-14 498 0016 40-14 498 0044	213, 220
3273.NR	11-14 498 0053	226
3273.PJ	214 498 0070	221
3273.PK	214 498 0070 214 498 0071	221, 226
3273.PP	214 498 0064	194
3273.Q8	214 498 0074 40-14 498 0030	208, 222
3273.Q9	214 498 0074 40-14 498 0030	208, 222
3273.QH	11-14 498 0033	213
3273.R0	40-14 498 0012	209
3273.R1	40-14 498 0012	209
3273.R2	40-14 498 0029 40-14 498 0046	209, 223
3273.R3	40-14 498 0029 40-14 498 0046	209, 223
3273.R6	40-14 498 0035	208
3273.S1	214 498 0074 40-14 498 0036	205, 222
3273.S2	214 498 0074 40-14 498 0036	205, 222
3273.SV	11-14 498 0020 40-14 498 0051 40-14 498 0065	227
3273.SW	11-14 498 0020 40-14 498 0051 40-14 498 0065	227
3273.VN	11-14 498 0033	213

Ref. no.	MEYLE no.	Page
<b>Citroën</b>		
3273.VP	11-14 498 0033	213
3273.WA	11-14 498 0039 11-14 498 0053	195, 226
3273.WC	11-14 498 0039	195
3273.WJ	11-14 498 0038 11-14 498 0052	214, 221
3273.WK	11-14 498 0038 11-14 498 0052	214, 221
3273.Y0	40-14 498 0035	208
3274.79	40-14 498 0000	228
3274.80	40-14 498 0000	228
3274.82	40-14 498 0000	228
3274.83	40-14 498 0000	228
3274.85	40-14 498 0000	228
3274.86	40-14 498 0000	228
3287.78	40-14 495 0005	189
3287.81	40-14 495 0009	189
3287.83	40-14 495 0004	189
3287.88	11-14 495 0012	190
3287.90	40-14 495 0010	190
3287.A9	11-14 495 0000	190
3287.C3	16-14 495 0021	188
3287.C4	214 495 0021	188
3292.03	40-14 495 0001	191
3293.02	11-14 495 0006	192
3293.03	40-14 495 0001	191
3293.06	11-14 495 0001	191
3293.20	11-14 495 0007	191
3293.31	40-14 495 0000	193
3293.34	11-14 495 0006	192
3293.97	40-14 495 0018	192
3293.99	40-14 495 0019	192
3293.A2	40-14 495 0006	193
3307.56	11-14 033 5016	631
3307.64	11-14 652 0001	638
3307.72	11-14 033 0772	642
3307.76	11-14 652 0003	643
3307.77	40-14 652 0001	648
3307.84	40-14 652 0001	648
3307.85	11-14 033 0772	642
3326.27	11-14 033 5029/S	627
3326.40	11-14 650 0002	631
3326.62	11-14 650 0014	625
3326.63	11-14 650 0013	627
3326.69	11-14 650 0013	627
3326.71	214 650 0013	635

Ref. no.	MEYLE no.	Page
<b>Citroën</b>		
3326.72	214 650 0006	635
3326.74	32-14 650 0004	636
3326.75	214 650 0010	635
3326.76	214 650 0006	635
3326.77	214 650 0010	635
3349.09	11-14 899 0020	625
3350.16	11-14 033 5016	631
3350.17	11-14 033 5017	631
3350.18	11-14 650 0010	632
3350.21	11-14 033 5029/S	627
3350.25	11-14 750 0004	627
3350.27	11-14 650 0002	631
3350.28	11-14 750 0018	644
3350.29	11-14 033 5029/S	627
3350.30	11-14 650 0001	628
3350.32	11-14 650 0006	632
3350.69	11-14 650 0007	625
3350.72	11-14 650 0015	628
3350.81	40-14 650 0000	626
3350.82	11-14 650 0008	632
3350.84	11-14 650 0007	625
3350.86	11-14 650 0015	628
3350.87	40-14 650 0000	626
3350.90	40-14 650 0000	626
3350.91	11-14 650 0002	631
3350.92	11-14 650 0015	628
3350.93	11-14 650 0016	629
3350.96	32-14 650 0006	629
3350.97	11-14 650 0007	625
3362.62	11-14 650 0014	625
3520.51	11-16 050 3198	500
3520.78	11-16 050 6980	501
3520.79	11-16 050 6979	501
3520.80	11-16 050 0063	481
3520.81	11-16 050 0064	481
3520.92	11-16 050 0063	481
3520.93	11-16 050 0064	481
3520.94	11-16 050 0023 214 610 0000 214 610 0013	484, 520
3520.95	11-16 050 0047	483
3520.96	11-16 050 0032	483
3520.A1	40-16 050 0002/HD	482
3520.A2	40-16 050 0002/HD	482
3520.A6	40-16 050 0002/HD	482
3520.C3	11-16 050 0023	484, 520

Ref. no.	MEYLE no.	Page
<b>Citroën</b>		
	214 610 0000 214 610 0013	
3520.C5	11-16 050 0023 214 610 0000 214 610 0013	484, 520
3520.E8	40-16 050 0004/HD	490
3520.F5	40-16 050 0002/HD	482
3520.F6	40-16 050 0002/HD	482
3520.F7	11-16 050 0036/HD 11-16 610 0004/HD 40-16 050 0002/HD	482, 502, 532
3520.F8	11-16 050 0036/HD 11-16 610 0004/HD 40-16 050 0002/HD	482, 502, 532
3520.G9	11-16 050 0023 214 610 0000 214 610 0013	484, 520
3520.H5	40-16 050 0002/HD 40-16 610 0000/HD	482, 529
3520.H6	11-16 050 0036/HD	502
3520.H8	40-16 050 0002/HD	482
3520.J3	11-16 050 0048/HD	487
3520.J4	11-16 050 0048/HD	487
3520.K3	11-16 050 0040	484
3520.K7	40-16 050 0002/HD	482
3520.K8	11-16 050 0010/HD	486
3520.K9	11-16 050 0048/HD	487
3520.L0	11-16 050 0047	483
3520.L1	11-16 050 0032	483
3520.L3	11-16 050 0019 11-16 610 0010	482, 530
3520.L4	11-16 050 0019 11-16 610 0010	482, 530
3520.L9	11-16 050 0019 11-16 610 0010	482, 530
3520.N1	11-16 050 0019 11-16 610 0010	482, 530
3520.N3	11-16 050 0047	483
3520.N4	11-16 050 0032	483
3520.P0	11-16 050 0040	484
3520.P3	11-16 050 0010/HD	486
3520.P4	11-16 050 0023 214 610 0000 214 610 0013	484, 520
3520.P6	11-14 610 0038 11-16 050 0038	475, 519-520

Ref. no.	MEYLE no.	Page
<b>Citroën</b>		
	214 610 0000	
3520.P8	11-16 050 0023 214 610 0000 214 610 0013	484, 520
3520.P9	11-16 050 0019 11-16 610 0010	482, 530
3520.Q0	11-16 050 0019 11-16 610 0010	482, 530
3520.Q1	11-16 050 0031	507
3520.Q2	11-16 050 0050 11-16 610 0009 30-14 610 0041 30-14 610 0042 30-16 010 0083/HD	469, 485, 508, 530
3520.Q3	11-16 050 0048/HD	487
3520.Q4	11-16 050 0048/HD	487
3520.Q5	11-16 050 0048/HD	487
3520.Q8	11-16 050 0048/HD	487
3520.Q9	11-16 050 0053 11-16 610 0005	476, 529
3520.R0	11-16 050 0019 11-16 610 0010	482, 530
3520.R1	11-16 050 0019 11-16 610 0010	482, 530
3520.R2	11-16 050 0019 11-16 610 0010	482, 530
3520.R3	11-16 050 0019 11-16 610 0010	482, 530
3520.R4	11-16 050 0019 11-16 610 0010	482, 530
3520.R5	11-16 050 0019 11-16 610 0010	482, 530
3520.R7	11-16 050 0053 11-16 610 0005	476, 529
3520.R8	11-14 610 0034 11-14 610 0038 11-16 050 0068	485, 519-520
3520.S0	11-14 610 0025 11-14 610 0026 11-16 050 0066	486, 509
3520.S1	11-14 610 0025 11-14 610 0026 11-16 050 0066	486, 509
3520.S2	11-16 050 0010/HD	486
3520.S5	11-16 050 0084	477
3520.S9	11-14 610 0040	488, 521

Ref. no.	MEYLE no.	Page
<b>Citroën</b>		
	11-16 050 0073	
3520.T2	11-16 050 0081/HD 11-16 610 0006	479, 531
3520.T5	11-16 050 0081/HD 11-16 610 0006	479, 531
3520.T6	11-16 050 0081/HD 11-16 610 0006	479, 531
3520.T7	11-16 050 0081/HD 11-16 610 0006	479, 531
3520.T8	11-16 050 0081/HD 11-16 610 0006	479, 531
3520.T9	11-16 050 0081/HD 11-16 610 0006	479, 531
3520.V0	32-14 610 0000/HD 32-14 610 0005 32-16 010 0025 32-16 050 0093/HD	469, 489, 509-510
3520.V1	11-16 050 0019 11-16 610 0010	482, 530
3520.V2	11-16 050 0072/HD	487
3520.V3	11-16 050 0048/HD	487
3520.V4	11-16 050 0048/HD	487
3520.V5	11-16 050 0019 11-16 610 0010	482, 530
3520.V8	11-16 050 0068	485
3520.W1	11-14 610 0040 11-16 050 0073	488, 521
3520.W2	11-14 610 0040 11-16 050 0073	488, 521
3520.W3	614 610 0007 614 610 0008 616 010 0006 616 050 0029 616 610 0005	489, 490, 510-511, 532
3520.W4	11-16 050 0084	477
3520.W5	11-16 050 0053 11-16 610 0005	476, 529
3520.W7	11-16 050 0079/HD 11-16 610 0002	488, 531
3520.W8	11-16 050 0079/HD 11-16 610 0002	488, 531
3520.X0	11-16 050 0084	477
3520.X1	11-16 050 0079/HD 11-16 610 0002	488, 531
3520.X6	11-14 610 0041 11-16 050 0075	489, 521

Ref. no.	MEYLE no.	Page
<b>Citroën</b>		
3520.X9	32-14 610 0000/HD 32-14 610 0005 32-16 010 0025 32-16 050 0093/HD	469, 489, 509-510
3520.Y1	11-16 050 0079/HD 11-16 610 0002	488, 531
3520Y4	614 610 0007 614 610 0008 616 010 0006 616 050 0029 616 610 0005	469, 490, 510-511, 532
3521.34	11-16 050 3199	500
3521.64	11-16 050 0013 214 610 0000 214 610 0014	493, 520, 522
3521.65	11-16 050 0014	491
3521.66	11-16 050 0033	492
3521.71	40-16 050 0004/HD	490
3521.72	40-16 050 0004/HD	490
3521.83	11-16 050 0013 214 610 0000 214 610 0014	493, 520, 522
3521.85	11-16 050 0013 214 610 0000 214 610 0014	493, 520, 522
3521.A5	40-16 050 0004/HD	490
3521.A6	40-16 050 0004/HD	490
3521.A7	11-16 050 0037/HD 11-16 610 0004/HD 40-16 050 0004/HD	490, 502, 532
3521.A8	11-16 050 0037/HD 11-16 610 0004/HD 40-16 050 0004/HD	490, 502, 532
3521.C9	11-16 050 0013 214 610 0000 214 610 0014	493, 520, 522
3521.E5	40-16 050 0004/HD 40-16 610 0000/HD	490, 529
3521.E6	11-16 050 0037/HD	502
3521.F3	11-16 050 0049/HD	496
3521.F4	11-16 050 0049/HD	496
3521.G3	11-16 050 0041	492
3521.G7	40-16 050 0004/HD	490
3521.G8	11-16 050 0009/HD	495
3521.H0	11-14 610 0038 11-16 050 0038	475, 519-520

Ref. no.	MEYLE no.	Page
<b>Citroën</b>		
	214 610 0000	
3521.H1	11-14 610 0039 11-16 050 0039 214 610 0000	475, 520, 522
3521.H2	11-16 050 0014	491
3521.H3	11-16 050 0033	492
3521.H5	11-16 050 0020 11-16 610 0010	491, 530
3521.H6	11-16 050 0020 11-16 610 0010	491, 530
3521.J1	11-16 050 0020 11-16 610 0010	491, 530
3521.J2	11-16 050 0020 11-16 610 0010	491, 530
3521.J3	11-16 050 0014	491
3521.J4	11-16 050 0033	492
3521.K0	11-16 050 0041	492
3521.K3	11-16 050 0009/HD	495
3521.K4	11-16 050 0013 214 610 0000 214 610 0014	493, 520, 522
3521.K6	11-14 610 0039 11-16 050 0039 214 610 0000	475, 520, 522
3521.K8	11-16 050 0020 11-16 610 0010	491, 530
3521.L0	11-16 050 0013 214 610 0000 214 610 0014	493, 520, 522
3521.L1	11-16 050 0020 11-16 610 0010	491, 530
3521.L2	11-16 050 0030	506
3521.L3	11-16 050 0051 11-16 610 0009 30-14 610 0041 30-14 610 0042 30-16 010 0083/HD	469, 493, 508, 530
3521.L4	11-16 050 0049/HD	496
3521.L5	11-16 050 0049/HD	496
3521.L6	11-16 050 0049/HD	496
3521.L9	11-16 050 0049/HD	496
3521.N0	11-16 050 0052 11-16 610 0005	476, 529
3521.N1	11-16 050 0020 11-16 610 0010	491, 530
3521.N2	11-16 050 0020	491, 530



Ref. no.	MEYLE no.	Page
<b>Citroën</b>		
	11-16 610 0010	
3521.N3	11-16 050 0020 11-16 610 0010	491, 530
3521.N4	11-16 050 0020 11-16 610 0010	491, 530
3521.N5	11-16 050 0020 11-16 610 0010	491, 530
3521.N6	11-16 050 0020 11-16 610 0010	491, 530
3521.N8	11-16 050 0052 11-16 610 0005	476, 529
3521.N9	11-14 610 0034 11-14 610 0039 11-16 050 0067	494, 520, 522
3521.P1	11-14 610 0025 11-14 610 0026 11-16 050 0065	494, 509
3521.P2	11-14 610 0025 11-14 610 0026 11-16 050 0065	494, 509
3521.P3	11-16 050 0009/HD	495
3521.P6	11-16 050 0083	478
3521.Q0	11-14 610 0040 11-16 050 0074	496, 521
3521.Q3	11-16 050 0082/HD 11-16 610 0006	478, 531
3521.Q6	11-16 050 0082/HD 11-16 610 0006	478, 531
3521.Q7	11-16 050 0082/HD 11-16 610 0006	478, 531
3521.Q8	11-16 050 0082/HD 11-16 610 0006	478, 531
3521.Q9	11-16 050 0082/HD 11-16 610 0006	478, 531
3521.R0	11-16 050 0082/HD 11-16 610 0006	478, 531
3521.R1	32-14 610 0000/HD 32-14 610 0005 32-16 010 0025 32-16 050 0092/HD	469, 498, 509-510
3521.R2	11-16 050 0020 11-16 610 0010	491, 530
3521.R3	11-16 050 0071/HD	495
3521.R4	11-16 050 0049/HD	496
3521.R5	11-16 050 0049/HD	496
3521.S0	11-16 050 0067	494

Ref. no.	MEYLE no.	Page
<b>Citroën</b>		
3521.S2	11-16 050 0020 11-16 610 0010	491, 530
3521.S4	11-14 610 0040 11-16 050 0074	496, 521
3521.S5	11-14 610 0040 11-16 050 0074	496, 521
3521.S6	614 610 0007 614 610 0008 616 010 0006 616 050 0028 616 610 0005	469, 498, 510-511, 532
3521.S7	11-16 050 0083	478
3521.S8	11-16 050 0052 11-16 610 0005	476, 529
3521.S9	11-16 050 0080/HD 11-16 610 0002	497, 531
3521.T0	11-16 050 0080/HD 11-16 610 0002	497, 531
3521.T2	11-16 050 0083	478
3521.T3	11-16 050 0080/HD 11-16 610 0002	497, 531
3521.T7	11-14 610 0041 11-16 050 0076	497, 521
3521.V0	32-14 610 0000/HD 32-14 610 0005 32-16 010 0025 32-16 050 0092/HD	469, 498, 509-510
3521.V2	11-16 050 0080/HD 11-16 610 0002	497, 531
3521.V5	616 050 0028 616 610 0005	498, 532
3521V5	614 610 0007 614 610 0008 616 010 0006	469, 510-511
3523.20	11-14 035 2320	511
3523.43	11-14 610 0017	511
3523.49	11-14 352 0005	517
3523.50	16-14 610 0009	518
3523.66	16-14 610 0009	518
3523.73	11-14 035 2320	511
3523.75	11-14 610 0012/HD 11-16 610 0004/HD 40-16 610 0000/HD	522, 529, 532
3523.81	11-14 610 0004	523
3523.82	11-14 610 0005	523
3523.83	11-14 610 0006	523

Ref. no.	MEYLE no.	Page
<b>Citroën</b>		
3523.84	11-14 610 0011	512
3523.91	11-14 610 0016/HD	512
3523.92	11-14 610 0013/HD	512
3523.93	11-14 610 0009	513
3523.94	11-14 610 0023 11-14 610 0027	524, 533
3523.95	11-14 610 0010	513
3523.98	11-14 610 0001	513
3523.99	11-14 352 0010	514
3523.AA	11-14 352 0010	514
3523.AP	11-14 610 0023 11-14 610 0027	524, 533
3523.AQ	11-14 610 0018	514
3523.AR	11-14 610 0010	513
3523.AT	11-14 352 0010	514
3523.AZ	11-14 610 0031	514
3523.CA	11-14 610 0030	515
3523.CC	11-14 610 0020 11-16 610 0001 11-16 610 0005	515, 529, 533
3523.CE	11-14 610 0021 11-16 610 0001 11-16 610 0005	515, 529, 533
3523.CN	11-14 610 0043 11-16 610 0002 11-16 610 0006	516, 531
3523.CP	11-14 610 0055/HD 11-16 610 0002 11-16 610 0006	516, 531
3523.CW	11-14 610 0016/HD	512
3523.CZ	11-14 610 0043 11-16 610 0002 11-16 610 0006	516, 531
3523.EA	11-14 610 0043 11-16 610 0002 11-16 610 0006	516, 531
3523.EC	11-14 610 0055/HD 11-16 610 0002 11-16 610 0006	516, 531
3523.EE	11-14 610 0055/HD 11-16 610 0002 11-16 610 0006	516, 531
3640.28	11-16 010 3347	468
3640.32	11-16 010 0005/HD	470
3640.33	11-16 010 0004	468
3640.34	11-16 010 3347	468

Ref. no.	MEYLE no.	Page
<b>Citroën</b>		
3640.36	11-16 010 3356	474
3640.39	40-16 010 0002	470
3640.42	40-16 010 0002	470
3640.43	40-16 010 0002 40-16 610 0000/HD	470, 529
3640.50	11-16 010 0008 11-16 610 0004/HD	470, 532
3640.51	11-16 010 0008 11-16 610 0004/HD	470, 532
3640.52	11-16 010 0008 11-16 610 0004/HD	470, 532
3640.54	11-16 010 0011	471
3640.55	40-16 010 0004/HD	471
3640.56	11-16 010 0013 11-16 610 0005 11-16 610 0006	472, 529, 531
3640.57	11-16 010 0019 11-16 010 0031 11-16 010 0032 11-16 050 0035	468, 524-525
3640.58	11-16 010 0018 11-16 010 0018/S	472, 525
3640.59	11-16 010 0013 11-16 610 0005 11-16 610 0006	472, 529, 531
3640.60	11-16 010 0000	471
3640.61	11-16 010 0013 11-16 610 0005 11-16 610 0006	472, 529, 531
3640.62	11-16 010 0013 11-16 610 0005 11-16 610 0006	472, 529, 531
3640.65	11-16 010 0013 11-16 610 0005 11-16 610 0006	472, 529, 531
3640.66	11-16 010 0013 11-16 610 0005 11-16 610 0006	472, 529, 531
3640.67	11-16 010 0014	472
3640.68	11-16 010 0000	471
3640.69	11-16 010 0018 11-16 010 0018/S 11-16 010 0019 11-16 010 0032	472, 525
3640.70	11-16 010 0000	471
3640.71	11-16 010 3347	468

Ref. no.	MEYLE no.	Page
<b>Citroën</b>		
3640.72	11-16 010 0018	472, 525
	11-16 010 0018/S	
	11-16 010 0019	
	11-16 010 0032	
3640.73	11-16 010 0000	471
3640.74	11-16 010 0019	468, 524-525
	11-16 010 0031	
	11-16 010 0032	
	11-16 050 0035	
3640.76	11-16 010 0014	472
3640.77	11-16 010 0017	473, 531, 533
	11-16 610 0001	
	11-16 610 0002	
3640.78	11-16 010 0025	473
3646.C0	11-14 650 0008	632
3647.C0	11-14 650 0008	632
3656.04	11-14 610 0033	524
3657.04	11-14 610 0033	524
3701.68	11-14 750 0030	646
3701.74	11-14 750 0030	646
3701.82	40-14 752 0002	636
3701.83	214 750 0005	639
3730.32	11-14 750 0020	629
3730.36	32-14 752 0006	639
3739.34	11-14 752 0001	641
3748.17	11-14 750 0001	633
3748.28	11-14 750 0015	644
3748.31	11-14 750 0009	643
3748.32	11-14 750 0031	646
3748.36	11-14 750 0022	645
3748.37	11-14 752 0000	647
3748.38	40-14 752 0001	648
3748.39	11-14 750 0001	633
3748.43	11-14 750 0015	644
3748.44	11-14 750 0022	645
3748.45	11-14 750 0009	643
3748.68	11-14 750 0014	640
3748.70	40-14 750 0001	648
3748.72	40-14 752 0001	648
3748.74	11-14 750 0032	646
3748.76	11-14 750 0027	645
3748.77	11-14 750 0028	634
3748.78	11-14 750 0030	646
3748.80	11-14 750 0014	640
3748.83	11-14 750 0025	634
3748.85	11-14 750 0034	638

Ref. no.	MEYLE no.	Page
<b>Citroën</b>		
3748.86	11-14 750 0016	640
3748.87	11-14 750 0016	640
3748.88	11-14 750 0013	644
3748.90	40-14 750 0002	630
3748.94	11-14 750 0029	634
3748.95	11-14 752 0001	641
3748.96	11-14 752 0002	640
3748.98	214 750 0002	637
3748.99	11-14 752 0001	641
3748.A0	11-14 752 0002	640
3748.A1	40-14 750 0003	630
3748.A3	11-14 752 0001	641
3748.A5	11-14 752 0010	641
3812.A4	216 031 0004	443
3812.A6	11-16 031 0017	443
3812.C0	11-16 030 0001	443
3812.C6	11-16 030 0001	443
3812.C8	11-16 031 0006	444
3812.E0	11-16 031 0015	444
3812.E1	11-16 031 0009	444-445
	11-16 031 0011/HD	
3812.E2	216 031 0005	445
3812.E3	11-16 031 0008	446
3812.E4	11-16 030 0001	443
3812.E5	11-16 031 0019	445
3812.E6	40-16 031 0000/HD	446
3812.E7	11-16 031 0008	446
3812.E8	11-16 031 0007	440
3812.E9	11-16 031 0025	446
3812.F0	11-16 031 0020	447
3812.F1	11-16 031 0013/HD	447
3812.F2	11-16 031 0021	447
3812.F3	11-16 031 0023	440
3812.F4	11-16 031 0024	448
3812.F6	16-16 031 0005	448
3812.F7	11-16 031 0030	441
3814.A5	11-16 020 0019	455
3817.18	11-16 020 5703/HD	457
3817.31	40-16 020 5724/HD	465
3817.37	11-16 020 0006	456
3817.38	11-16 020 0005	456
3817.41	40-16 020 5723/HD	466
3817.42	40-16 020 5724/HD	465
3817.43	11-16 020 0006	456
3817.44	11-16 020 0005	456
3817.50	11-16 020 5703/HD	457

Ref. no.	MEYLE no.	Page
<b>Citroën</b>		
3817.53	11-16 020 0011	458
3817.54	11-16 020 0012	458
3817.55	40-16 020 0002	457
3817.56	11-16 020 0008	457
3817.59	11-16 020 0011	458
3817.60	11-16 020 0012	458
3817.61	40-16 020 0004/HD	458
3817.62	40-16 020 0003/HD	459
3817.63	11-16 020 0017	459
3817.64	11-16 020 0018	459
3817.65	11-16 020 0014	460
3817.66	11-16 020 0013	460
3817.67	11-16 020 0009	455
3817.68	11-16 020 0010	454
3817.69	11-16 020 0015/HD	453
3817.70	11-16 020 0016/HD	460
3817.71	11-16 020 0028	461
3817.72	11-16 020 0029	461
3817.73	11-16 020 0019	455
3817.74	32-16 020 0000	451
3817.75	11-16 020 0023	462
3817.76	11-16 020 0022	463
3817.77	11-16 020 0015/HD	453
3817.80	16-16 020 0041/HD	452
3817.81	16-16 020 0042/HD	452
3817.86	216 020 0015	461
3817.87	216 020 0016	462
3817.88	11-16 020 0023	462
3817.89	11-16 020 0022	463
3817.91	11-16 020 0025	463
3817.92	11-16 020 0024	463
3817.94	11-16 020 0032	464
4001.33	11-16 031 0026 11-16 031 0034/HD	448-449
4001.77	216 031 0017 216 031 0030/HD	449
4001 A1	11-16 031 0012/HD	441
4001.A1	11-16 031 0022	441
4001 E4	11-16 031 0012/HD	441
4001.E4	11-16 031 0022	441
4001 E5	11-16 031 0012/HD	441
4001.E5	11-16 031 0022	441
4001 K6	216 031 0017 216 031 0030/HD	449
4001 NZ	216 031 0017 216 031 0030/HD	449

Ref. no.	MEYLE no.	Page
<b>Citroën</b>		
4001 PA	216 031 0017 216 031 0030/HD	449
4007.57	11-14 631 0004	430
4007.7A	40-14 631 0001	427
4007.8E	11-14 631 0007	427
4007.AN	11-14 631 0011	427
4007.AW	40-14 631 0002	429
4007.CJ	11-14 631 0013	428
4007.CK	11-14 631 0010	428
4007.CV	050 005 0860	319
4007.E3	40-14 631 0000	428
4007.EP	40-14 631 0002	429
4007.H0	11-14 631 0016	432
4007.HZ	11-14 631 0001	432
4007.JC	11-14 631 0016	432
4007.JF	11-14 631 0011	427
4007.KK	11-14 631 0000	429
4007.KL	11-14 631 0006	429
4007.LA	11-14 631 0001	432
4007.R3	11-14 631 0009	431
4007.RZ	11-14 631 0005	432
4007.SF	214 631 0002	430
4007.TC	11-14 631 0014	430
4007.TQ	40-14 631 0003	433
4007.V7	11-14 631 0004	430
4007.V9	40-14 631 0004	431
4007.VQ	11-14 631 0018	431
4007.W1	11-14 631 0009	431
4007.WL	11-14 631 0016	432
4007.WQ	11-14 631 0001	432
4007.X9	40-14 631 0001	427
4007.ZR	11-14 631 0005	432
4009P2	050 004 0922/E	339
4009Q4	050 004 0922/E	339
4018.A3	11-16 020 7529	464
4018.A4	11-16 030 0008/HD 11-16 030 7528	438-439
4018.E0	216 060 0007	464
4018.H4	11-16 020 7529	464
4059.09	11-16 020 5042	465
4059.12	216 020 0062	465
4066.16	11-14 620 0006	434
4066.20	11-14 620 0000	434
4066.41	11-14 620 0003	434
4066.43	11-14 620 0007	435
4066.44	11-14 620 0008	435

Ref. no.	MEYLE no.	Page
<b>Citroën</b>		
4066.64	40-14 620 0000	435
4066.69	11-14 620 0019	436
4066.73	11-14 620 0005	436
4066.74	40-14 620 0000	435
4066.82	40-14 620 0004	436
4066.85	40-14 620 0004	436
4066.88	40-14 620 0002	437
4066.92	40-14 620 0004	436
4066.95	216 050 0025	437
4066.97	40-14 620 0003	437
4066A3	11-14 620 0026	438
4209.FB	11-14 752 0001	641
4228.35	215 523 0027	86
4241.24	11-14 533 0002/K	145
4241.2S	16-14 533 0043	141
4241.2W	214 533 0033	142
4241.2X	214 533 0030	143
4241.2Y	214 533 0049	143
4241.3H	40-14 533 0006	142
4241.3L	11-14 533 0032	156
4241.3S	214 533 0030	143
4241.3V	214 533 0049	143
4241.3W	214 533 0033	142
4241.4L	11-14 533 0027	145
4241.4T	16-14 533 0043	141
4241.4V	214 533 0033	142
4241.4W	214 533 0030	143
4241.4X	214 533 0049	143
4241.4Z	11-14 533 0027	145
4241.5F	11-14 533 0026	151
4241.5J	11-14 533 0033	152
4241.5Y	11-14 533 0032	156
4241.6A	40-14 533 0006	142
4241.6C	11-14 533 0026	151
4241.6E	11-14 533 0033	152
4241.6F	11-14 533 0032	156
4241.6G	11-14 533 0033	152
4241.6H	11-14 533 0039	144
4241.6J	214 533 0026	164
4241.6T	40-14 533 0006	142
4241.7E	11-14 533 0027	145
4241.7R	214 533 0033	142
4241.7T	214 533 0049	143
4241.7X	214 533 0030	143
4241.8N	11-14 533 0039	144
4241.8P	11-14 533 0033	144, 152

Ref. no.	MEYLE no.	Page
<b>Citroën</b>		
	11-14 533 0039	
4241.8R	11-14 533 0032	156
4241.99	16-14 533 0039/K	144
4241.9A	11-14 533 0027	145
4241.E5	11-14 533 0002/K	145
4241.E7	11-14 533 0017	145
4241.E8	11-14 533 0000 11-14 533 0000/K 11-14 533 0026	150-151
4241.G3	11-14 533 0003 11-14 533 0003/K 11-14 533 0003/S 11-14 533 0032	155-156
4241.G6	11-14 533 0004 11-14 533 0004/K 11-14 533 0033 11-14 533 0039	144, 151-152
4241.H4	214 533 0020/K 214 533 0021 214 533 0030 214 533 0033	142-143, 146
4241.H5	214 533 0020 214 533 0047/K 214 533 0048 214 533 0049	143, 147, 164
4241.H7	214 533 0017/K 214 533 0026 40-14 533 0002	147-148, 164
4241.H8	16-14 533 0042/K 16-14 533 0043	141, 148
4241.H9	36-14 533 0017 36-14 533 0017/K	148-149
4241.J5	11-14 533 0027 16-14 533 0000 40-14 533 0004/K	145, 149
4241.J6	11-14 533 0000 11-14 533 0000/K 11-14 533 0026	150-151
4241.J8	11-14 533 0001 11-14 533 0021/K 11-14 533 0024	157-158
4241.K1	11-14 533 0004 11-14 533 0004/K 11-14 533 0033 11-14 533 0039	144, 151-152
4241.K2	11-14 533 0004	144, 151-152

Ref. no.	MEYLE no.	Page
<b>Citroën</b>		
	11-14 533 0004/K 11-14 533 0033 11-14 533 0039	
4241.K3	11-14 533 0004 11-14 533 0004/K 11-14 533 0033 11-14 533 0039	144, 151-152
4241.K6	214 533 0017/K 214 533 0026 40-14 533 0002	147-148, 164
4241.K8	11-14 533 0001 11-14 533 0021/K 11-14 533 0024	157-158
4241.L0	11-14 533 0019 11-14 533 0023/K 11-14 533 0028	153
4241.L2	40-14 533 0001 40-14 533 0007 40-14 533 0019/K	154-155
4241.L3	11-14 533 0000 11-14 533 0000/K 11-14 533 0026	150-151
4241.L4	11-14 533 0003 11-14 533 0003/K 11-14 533 0003/S 11-14 533 0032	155-156
4241.L6	11-14 533 0001 11-14 533 0021/K 11-14 533 0024	157-158
4241.L7	214 533 0008 214 533 0008/K 214 533 0027	158-159
4241.N2	11-14 533 0018 11-14 533 0018/K 11-14 533 0036	159-160
4241.N3	11-14 533 0021 11-14 533 0040 11-14 533 0041/K	161, 165
4241.N4	214 533 0020 214 533 0047/K 214 533 0048 214 533 0049	143, 147, 164
4241.N5	214 533 0017	166
4241.N8	40-14 533 0003	161
4241.P0	214 533 0010 214 533 0010/K	162

Ref. no.	MEYLE no.	Page
<b>Citroën</b>		
	214 533 0037	
4241.P1	16-14 533 0012 16-14 533 0012/K	163
4241.P3	214 533 0010 214 533 0010/K 214 533 0037	162
4241.P4	40-14 533 0003	161
4242.02	11-14 533 0028	153
4242.05	11-14 533 0032	156
4242.06	11-14 533 0032	156
4242.10	214 533 0027	159
4242.11	214 533 0027	159
4242.16	11-14 533 0036	160
4242.17	11-14 533 0036	160
4242.20	11-14 533 0040	165
4242.21	214 533 0048	164
4242.22	11-14 533 0024	158
4242.25	40-14 533 0006	142
4242.27	214 533 0027	159
4242.28	11-14 533 0036	160
4242.29	11-14 533 0026	151
4242.30	11-14 533 0033	152
4242.31	11-14 533 0039	144
4242.32	214 533 0026	164
4242.33	11-14 533 0028	153
4242.44	11-14 533 0040	165
4246.C0	40-15 521 1001	53
4246.H9	11-15 521 0015	80
4246.J0	11-15 521 0037 11-15 521 0037/PD	70
4246.J3	11-15 521 0006	80
4246.J9	215 521 0005	85
4246.K0	11-15 521 0028	63
4246.K3	215 521 0003 283 521 0003/PD	44
4246.L3	215 521 0004 215 521 0018 283 521 0004/PD	42-43, 60
4246.L4	215 521 0004 215 521 0018 283 521 0004/PD	42-43, 60
4246.L6	11-15 523 0038	84
4246.L8	11-15 521 0007	54
4246.P2	11-15 521 0035 11-15 521 0035/PD	54-55
4246.P4	11-15 523 0011	71, 76

Ref. no.	MEYLE no.	Page
<b>Citroën</b>		
	11-15 523 0011/PD	
4246.R2	11-15 521 0033 11-15 521 0033/PD	55-56
4246.R4	11-15 521 0033 11-15 521 0033/PD	55-56
4246.R5	11-15 521 0032 11-83 521 0032/PD	58, 82
4246.R6	40-15 521 1000	57
4246.R9	11-15 521 0036 11-15 521 0036/PD	56-57
4246.T8	40-15 521 1000	57
4246.W1	11-15 521 0017 11-83 521 0017/PD	73-74
4246.W2	11-15 521 0018 11-83 521 0018/PD	41-42
4246.W3	40-15 521 1000	57
4246.W4	40-15 523 1002	58
4246.W6	11-15 521 0032 11-83 521 0032/PD	58, 82
4246.W9	11-15 523 0008 11-15 523 0008/PD	59
4246.X8	11-15 523 0008 11-15 523 0008/PD	59
4246.Y1	215 521 0004 215 521 0018 283 521 0004/PD	42-43, 60
4246.Y3	215 521 0003 283 521 0003/PD	44
4246.Y7	215 523 0012	46
4246.Z1	215 523 0006 215 523 0006/PD	46-47
4246.Z3	215 523 0006 215 523 0006/PD	46-47
4246.Z8	40-15 521 1004	87
4246.Z9	11-15 523 0041 11-15 523 4101	61-62
4247.24	11-15 523 0003	139
4247.32	11-15 523 0030	140
4247.44	11-15 523 0031	140
4247.48	11-15 523 0005	141
4249.16	11-15 521 0017 11-83 521 0017/PD	73-74
4249.18	11-15 521 0018 11-83 521 0018/PD	41-42
4249.19	11-15 523 4102	61
4249.21	215 521 0033	85

Ref. no.	MEYLE no.	Page
<b>Citroën</b>		
4249.23	215 523 0029 215 523 0029/PD	60, 87
4249.25	215 521 0024 215 521 0024/PD	51
4249.27	215 521 0018	60
4249.29	215 521 0029	43
4249.31	215 523 0027	86
4249.32	11-15 523 4102	61
4249.33	40-15 521 1001	53
4249.34	11-15 523 0041 11-15 523 4101	61-62
4249.36	215 521 0019	50
4249.37	215 521 0021 283 521 0021/PD	45
4249.38	215 521 0021 283 521 0021/PD	45
4249.40	215 523 0004	86
4249.42	215 523 0028	62
4249.44	11-15 521 0028	63
4249.45	11-15 523 4008 11-15 523 4104	63-64
4249.46	11-15 523 4008 11-15 523 4104	63-64
4249.53	11-15 523 0008 11-15 523 0008/PD	59
4249.55	11-15 521 0037 11-15 521 0037/PD	70
4249.59	32-15 521 0025 32-15 521 0025/PD	64-65
4249.62	32-15 523 0017 32-15 523 0017/PD	65-66
4249.64	11-15 521 0034/PD	66
4249.65	11-15 523 4103	67
4249.66	11-15 523 4103	67
4249.72	11-15 523 0009 11-15 523 0009/PD	67, 84
4249.74	215 521 0002 215 521 0002/PD	68
4249.79	40-15 521 1004	87
4249.81	11-15 521 0034/PD	66
4249.82	11-15 521 0033 11-15 521 0033/PD	55-56
4249.83	11-15 521 0017 11-83 521 0017/PD	73-74
4249.84	11-15 521 0018 11-83 521 0018/PD	41-42

Ref. no.	MEYLE no.	Page
<b>Citroën</b>		
4249.85	40-15 521 1001	53
4249.86	11-15 521 0034/PD	66
4249.87	215 521 0033	85
4249.88	11-15 521 0039 11-15 521 0039/PD	69
4249.90	11-15 523 0008 11-15 523 0008/PD	59
4249.91	215 523 0029 215 523 0029/PD	60, 87
4249.92	215 521 0024 215 521 0024/PD	51
4249.93	11-15 521 0030 11-15 521 0030/PD	74-75
4249.94	11-15 521 0037 11-15 521 0037/PD	70
4249.95	11-15 521 0042 11-15 521 0042/PD	71, 83
4249.96	11-15 521 0031 11-15 521 0031/PD	81
4249.A0	215 521 0019	50
4249.A1	215 523 0027	86
4249.A2	215 523 0004	86
4249.A5	11-15 521 0036 11-15 521 0036/PD	56-57
4249.A6	215 521 0021 283 521 0021/PD	45
4249.A9	11-15 521 0028	63
4249.C0	11-15 523 0011 11-15 523 0011/PD	71, 76
4249.C1	11-15 523 0009 11-15 523 0009/PD	67, 84
4249.C4	11-15 521 0001	72
4249.C5	11-15 521 0012	77
4249.C9	215 521 0005	85
4249.E5	215 521 0002 215 521 0002/PD	68
4249.F0	11-15 521 0032 11-83 521 0032/PD	58, 82
4249.F2	40-15 521 1004	87
4249.F3	32-15 521 0025 32-15 521 0025/PD	64-65
4249.F4	32-15 523 0017 32-15 523 0017/PD	65-66
4249.F5	11-15 523 0010 11-15 523 0010/PD	76-77
4249.F6	11-15 521 0045/PD	72

Ref. no.	MEYLE no.	Page
<b>Citroën</b>		
4249.F7	11-15 523 0012/PD	73
4249.G1	11-15 521 0017 11-83 521 0017/PD	73-74
4249.G3	215 521 0004 215 521 0018	42, 60
4249.H1	40-15 521 1000	57
4249.H2	215 521 0019	50
4249.H3	40-15 521 1004	87
4249.H5	11-15 521 0006	80
4249.H6	215 521 0005	85
4249.H7	11-15 521 0035 11-15 521 0035/PD	54-55
4249.H8	215 521 0004 215 521 0018 283 521 0004/PD	42-43, 60
4249.H9	215 521 0003 283 521 0003/PD	44
4249.J1	11-15 521 0007	54
4249.J6	11-15 521 0018 11-83 521 0018/PD	41-42
4249.J8	11-15 521 0034/PD	66
4249.J9	215 521 0033	85
4249.K0	215 521 0024 215 521 0024/PD	51
4249.K1	11-15 521 0030 11-15 521 0030/PD	74-75
4249.K2	215 521 0029	43
4249.K3	215 521 0018	60
4249.K6	215 523 0028	62
4249.K7	215 523 0027	86
4249.K8	215 523 0004	86
4249.K9	215 523 0006 215 523 0006/PD	46-47
4249.L0	215 523 0012	46
4249.L2	215 521 0002 215 521 0002/PD	68
4249.L3	11-15 521 0038 11-15 521 0038/PD	82-83
4249.L4	11-15 521 0015	80
4249.L6	11-15 521 0040/PD	75
4251.10	025 218 0119/W	125
4251.12	025 212 7517	124
4251.14	025 216 3117/PD 025 216 3117/W	99
4251.17	025 217 9719/PD 025 217 9719/W	108-109



Ref. no.	MEYLE no.	Page
<b>Citroën</b>		
4251.19	025 217 9919/PD 025 217 9919/W	109-110
4251.21	025 218 2717	126
4251.26	025 230 4218/PD 025 230 4218/W	127
4251.28	025 212 6717/PD 025 212 6717/W	117-118
4251.29	025 203 8915	96
4251.37	025 209 0518/PD 025 209 0518/W	97
4251.38	025 218 2717	126
4251.39	025 218 2717	126
4251.40	025 209 0518/PD 025 209 0518/W	97
4251.44	025 216 7419/W	125
4251.45	025 231 3518/W	128
4251.46	025 209 7311 025 209 7311/PD	102
4251.47	025 209 0518/PD 025 209 0518/W	97
4251.50	025 230 4218/PD 025 230 4218/W	127
4251.55	025 231 2419/PD 025 231 2419/W	98
4251.56	025 216 3117/PD 025 216 3117/W	99
4251.69	025 219 8018 025 219 8018/PD	100, 126
4251.70	025 218 2717	126
4251.72	025 201 6215	122
4251.83	025 201 6215	122
4251.89	025 212 6717/PD 025 212 6717/W	117-118
4251.92	025 219 8018 025 219 8018/PD	100, 126
4251.97	025 209 7311 025 209 7311/PD	102
4252.03	025 233 9617	100
4252.05	025 219 8018 025 219 8018/PD	100, 126
4252.11	025 231 3518/W	128
4252.13	025 233 4619	129
4252.14	025 232 7617/W	128
4252.15	025 232 7717/W	129
4252.16	025 232 7318	121
4252.17	025 233 0515	129

Ref. no.	MEYLE no.	Page
<b>Citroën</b>		
4252.18	025 235 9919 025 235 9919/PD	101
4252.23	025 209 6117 025 209 6117/PD	88-89
4252.26	025 236 0219/PD 025 236 0219/W	132
4252.27	025 236 0319/PD 025 236 0319/W	110
4252.31	025 202 6119/W	122
4252.33	025 209 6117 025 209 6117/PD	88-89
4252.34	025 233 4619	129
4252.35	025 236 0019 025 236 0019/PD	115-116
4252.36	025 234 0719 025 234 0719/PD	130
4252.37	025 234 0919	131
4252.40	025 235 9919 025 235 9919/PD	101
4252.41	025 209 6117 025 209 6117/PD	88-89
4252.43	025 239 1719/PD 025 239 1719/W	134
4252.45	025 239 1919/PD 025 239 1919/W	111
4252.47	025 239 2120 025 239 2120/PD	114
4252.48	025 232 7717/W	129
4252.49	025 232 7318	121
4252.53	025 236 0019 025 236 0019/PD	115-116
4252.57	025 209 7311 025 209 7311/PD	102
4252.58	025 234 0719 025 234 0719/PD	130
4252.72	025 209 0518/W	97
4252.73	025 209 0518/PD 025 209 0518/W	97
4252.74	025 209 7311 025 209 7311/PD	102
4252.85	025 212 6717/PD 025 212 6717/W	117-118
4252.86	025 212 6717/PD 025 212 6717/W	117-118
4252.87	025 232 7617/W	128
4252.88	025 232 7717/W	129

Ref. no.	MEYLE no.	Page
<b>Citroën</b>		
4252.89	025 232 7318	121
4252.90	025 233 0515	129
4252.91	025 216 3117/PD 025 216 3117/W	99
4252.94	025 241 3317/W	115
4252.95	025 215 0417/W	118
4253.01	025 231 3518/W	128
4253.05	025 219 8018 025 219 8018/PD	100, 126
4253.06	025 218 2717	126
4253.21	025 212 6717/PD 025 212 6717/W	117-118
4253.23	025 235 8919	121
4253.25	025 241 5017	103
4253.28	025 239 5917	114
4253.30	025 235 9919 025 235 9919/PD	101
4253.31	025 236 0019 025 236 0019/PD	115-116
4253.33	025 231 2419/W	98
4253.34	025 233 0515	129
4253.42	025 235 9919 025 235 9919/PD	101
4253.44	025 235 8919	121
4253.45	025 234 0719 025 234 0719/PD	130
4253.46	025 232 7717/W	129
4253.56	025 244 6819-1/PD 025 244 6819/W1	91
4253.58	025 244 6819-2/PD 025 244 6819/W2	92-93
4253.60	025 244 6519 025 244 6519/PD	103, 135
4253.61	025 245 3818 025 245 3818/PD	103-104
4253.62	025 245 5719	135
4253.64	025 245 9518/W	136
4253.66	025 245 9518/W	136
4253.67	025 245 7816	136
4253.68	025 245 7816	136
4253.69	025 234 0719 025 234 0719/PD	130
4253.70	025 236 0019 025 236 0019/PD	115-116
4253.71	025 245 4016	104
4253.72	025 234 0919	131

Ref. no.	MEYLE no.	Page
<b>Citroën</b>		
4253.74	025 244 6619-2/PD 025 244 6619/W2	113
4253.76	025 244 6619-2/PD 025 244 6619/W2	113
4253.80	025 233 4619	129
4253.84	025 234 0719 025 234 0719/PD	130
4253.88	025 213 6315/PD 025 213 6315/W	124
4253.91	025 235 8216 025 235 8216/PD	108
4253.95	025 248 3919/W	137
4253.97	025 245 5719	135
4253.99	025 241 5017	103
4254.03	025 243 3218 025 243 3218/PD	105, 134
4254.04	025 241 3517	121
4254.05	025 241 3716 025 241 3716/PD	105-106
4254.07	025 237 0517/PD 025 237 0517/W	133
4254.11	025 241 3317/W	115
4254.13	025 245 3818 025 245 3818/PD	103-104
4254.14	025 247 6516/W	107
4254.20	025 209 6117 025 209 6117/PD	88-89
4254.21	025 241 3517	121
4254.23	025 235 9919 025 235 9919/PD	101
4254.24	025 243 3218 025 243 3218/PD	105, 134
4254.25	025 245 3818 025 245 3818/PD	103-104
4254.27	025 250 9419 025 250 9419/PD	106
4254.28	025 209 6117 025 209 6117/PD	88-89
4254.29	025 247 6516/W	107
4254.30	025 213 6315/PD 025 213 6315/W	124
4254.31	025 248 8318	88
4254.32	025 245 4016	104
4254.35	025 249 2217	107
4254.40	025 241 5017	103
4254.42	025 209 7311	102

Ref. no.	MEYLE no.	Page
<b>Citroën</b>		
	025 209 7311/PD	
4254.43	025 239 2120	114
4254.44	025 249 2217	107
4254.46	025 249 2217	107
4254.48	025 235 8216 025 235 8216/PD	108
4254.51	025 217 9719/PD 025 217 9719/W	108-109
4254.52	025 217 9919/PD 025 217 9919/W	109-110
4254.53	025 218 0119/W	125
4254.54	025 230 4218/PD 025 230 4218/W	127
4254.55	025 236 0219/W	132
4254.56	025 236 0319/PD 025 236 0319/W	110
4254.57	025 202 6119/W	122
4254.58	025 239 1719/PD 025 239 1719/W	134
4254.59	025 239 1919/PD 025 239 1919/W	111
4254.61	025 244 6819-1/PD 025 244 6819/W1	91
4254.62	025 244 6819-2/PD 025 244 6819/W2	92-93
4254.63	025 244 6619-1/PD 025 244 6619/W1	112
4254.64	025 244 6619-2/PD 025 244 6619/W2	113
4254.66	025 212 7517	124
4254.67	025 209 6117 025 209 6117/PD	88-89
4254.68	025 239 2120 025 239 2120/PD	114
4254.69	025 244 6519 025 244 6519/PD	103, 135
4254.71	025 236 0019 025 236 0019/PD	115-116
4254.73	025 250 6917	90
4254.74	025 239 5917	114
4254.75	025 235 9919 025 235 9919/PD	101
4254.76	025 241 5017	103
4254.77	025 245 5719	135
4254.80	025 241 3317/W	115
4254.84	025 233 9617	100

Ref. no.	MEYLE no.	Page
<b>Citroën</b>		
4254.85	025 231 2419/PD 025 231 2419/W	98
4254.86	025 235 9919 025 235 9919/PD	101
4254.88	025 235 8919	121
4254.91	025 241 3517	121
4254.92	025 236 0019 025 236 0019/PD	115-116
4254.93	025 212 6717/PD 025 212 6717/W	117-118
4254.96	025 237 0517/PD 025 237 0517/W	133
4254.97	025 245 7816	136
4254.99	025 209 0518/PD 025 209 0518/W	97
4254.A0	025 241 3317/W	115
4254.A1	025 245 9518/W	136
4254.A2	025 245 9518/W	136
4254.A3	025 241 3317/W	115
4254.A9	025 252 2018	116
4254.C0	025 245 3818 025 245 3818/PD	103-104
4254.C1	025 209 6117 025 209 6117/PD	88-89
4254.C2	025 239 1919/W	111
4254.C6	025 213 8115	116
4254.C8	025 237 0617/W	117
4259.C9	11-15 523 0011/PD	76
4402.70	16-14 533 0043 214 531 0012	141, 180
4402.90	11-14 531 0007 40-14 533 0006	142, 180
4402.91	11-14 531 0008 40-14 533 0006	142, 180
4402.93	11-14 531 0005 11-14 533 0026	151, 181
4402.94	11-14 531 0006 11-14 533 0026	151, 181
4402.97	11-14 533 0032 16-14 531 0009	156, 181
4402.98	11-14 533 0032 16-14 531 0010	156, 182
4402.A0	11-14 531 0009	182
4402.A1	11-14 531 0010	182
4402.A2	11-14 531 0026 11-14 533 0033	152, 183

Ref. no.	MEYLE no.	Page
<b>Citroën</b>		
4402.A3	11-14 531 0023 214 533 0033 40-14 533 0007	142, 154, 183
4402.A4	11-14 531 0022 214 533 0030	143, 183
4402.A5	11-14 531 0016 214 533 0049	143, 184
4402.A7	214 531 0009 214 533 0026	164, 184
4402.A8	11-14 531 0024 11-14 533 0027	145, 184
4402.C3	11-14 531 0024 11-14 533 0027	145, 184
4402.C6	11-14 531 0021 11-14 533 0024	158, 185
4402.C7	11-14 531 0027 11-14 533 0039	144, 185
4402.C8	11-14 531 0020 11-14 533 0028	153, 185
4402.E3	11-14 531 0020 11-14 533 0028	153, 185
4402.E4	11-14 531 0023 214 533 0033 40-14 533 0007	142, 154, 183
4402.E5	11-14 531 0020 11-14 533 0028	153, 185
4402.E6	11-14 531 0025 214 533 0027	159, 186
4402.E7	11-14 531 0021 11-14 533 0024	158, 185
4402.E8	11-14 531 0021 11-14 533 0024	158, 185
4402.F0	11-14 531 0001 11-14 533 0036	160, 186
4402.F1	11-14 531 0013 11-14 533 0040	165, 186
4402.F2	11-14 531 0015 214 533 0048	164, 187
4402.F3	214 531 0010 214 533 0037	162, 187
4439.14	014 698 0006 014 698 0006/S	138-139
4534.21	11-14 890 0002	297
4534.48	11-14 890 0003	296
4534.50	11-14 890 0001	297
4534.52	11-14 890 0002	297

Ref. no.	MEYLE no.	Page
<b>Citroën</b>		
4534.54	30-14 890 0000	297
4534.63	11-14 890 0003	296
4534.65	11-14 890 0003	296
4534.68	30-14 890 0002	298
4545.08	11-14 800 0016	235
4545.32	11-14 800 0004	235
4545.33	11-14 800 0005	235
4545.36	11-14 800 0005	235
4545.45	11-14 800 0004	235
4545.46	11-14 800 0005	235
4545.50	11-14 899 0010	236
4545.56	11-14 800 0005	235
4545.57	11-14 899 0016	236
4545.62	11-14 899 0025	250
4545.66	40-14 800 0012	237
4545.74	11-14 899 0000	236
4545.75	11-14 800 0003	237
4545.78	40-14 800 0012	237
4545.80	40-14 800 0011	237
4545.85	11-14 899 0023	238
4545.86	40-14 800 0001	238
4545.90	214 800 0017	238
4545.94	40-14 800 0014	239
4545.95	40-14 800 0015	239
4545.96	40-14 800 0016	239
4545.97	40-14 800 0002	240
4545.98	40-14 800 0003	240
4545.A5	40-14 800 0013	240
4545.A9	11-14 800 0002	246
4545.C0	11-14 899 0019	246
4545.C1	11-14 899 0003	241
4545.C2	11-14 899 0004	241
4545.C4	11-14 899 0005	241
4545.C7	40-14 899 0002	242
4545.C8	11-14 899 0034	242
4545.C9	11-14 899 0031	242
4545.E1	40-14 800 0019	243
4545.E2	40-14 800 0020	243
4545.E4	11-14 800 0011	249
4545.E5	11-14 800 0007	243
4545.E6	11-14 899 0032	244
4545.E7	40-14 800 0025	244
4545.E8	40-14 800 0024	244
4545.E9	11-14 800 0008	245
4545.F0	11-14 800 0009	245
4545.F1	40-14 800 0021	245

Ref. no.	MEYLE no.	Page
<b>Citroën</b>		
4545.F5	40-14 800 0023	249
4545.F6	40-14 800 0022	246
4545.F8	11-14 899 0033	247
4545.G6	11-14 800 0002	246
4545.G7	11-14 899 0019	246
4545.H1	40-14 800 0028	252
4545.H2	11-14 899 0033	247
4545.H5	40-14 800 0007	247
4545.H6	40-14 800 0008	247
4545.H9	40-14 800 0027	248
4545.J0	40-14 800 0026	248
4545.J8	11-14 800 0012	248
4545.J9	11-14 800 0011	249
4545.K0	11-14 899 0022	249
4545.K3	40-14 800 0023	249
4545.K6	40-14 800 0027	248
4545.L0	11-14 800 0016	235
4574.03	11-14 812 0003	290
4574.05	11-14 812 0003	290
4806.55	11-14 525 0001	167
4806.56	11-14 525 0002	167
4806.64	11-14 525 0016	167
4806.65	11-14 525 0017	168
4806.67	11-14 525 0024	168
4806.70	11-14 525 0025	168
4806.71	11-14 525 0026	169
4806.72	11-14 525 0033	169
4806.82	11-14 525 0027	169
4806.84	11-14 525 0037	170
4806.85	11-14 525 0010	175
4806.86	16-14 525 0002	170
4806.91	11-14 525 0037	170
4806.96	11-14 525 0028	171
4806.97	11-14 525 0038	171
4806.98	11-14 525 0039	171
4806.A0	11-14 525 0020	172
4806.A1	11-14 525 0006	172
4806.A6	11-14 525 0029	172
4806.A8	11-14 525 0037	170
4806.A9	11-14 525 0037	170
4806.C0	11-14 525 0007	173
4806.C2	11-14 525 0030	175
4806.C3	11-14 525 0025	168
4806.E0	11-14 525 0037	170
4806.E1	11-14 525 0008	173
4806.E2	11-14 525 0009	173

Ref. no.	MEYLE no.	Page
<b>Citroën</b>		
4806.E3	11-14 525 0036	174
4806.E7	11-14 525 0054	174
4806.E8	11-14 525 0053	174
4806.E9	11-14 525 0010	175
4806.F2	11-14 525 0030	175
4806.F3	11-14 525 0025	168
4806.F6	11-14 525 0011	175
4806.F9	11-14 525 0055	176
4806.G0	11-14 525 0056	176
4806.G4	11-14 525 0049	176
4806.G5	11-14 525 0050	177
4806.G6	214 525 0041	177
4806.G7	214 525 0033	178
4806.H4	214 525 0035	177
4806.J5	11-14 525 0011	175
4806.K2	11-14 525 0054	174
4806.K3	11-14 525 0053	174
4806.P5	214 525 0033	178
4806.P6	214 525 0035	177
5002.35	40-14 639 0001	568
5002.73	40-14 639 0012	568
5002.74	40-14 639 0017	568
5002.79	40-14 639 0009	569
5002.CE	40-14 639 0002	569
5002.CJ	40-14 639 0006	569
5002.CR	40-14 639 0013	570
5002.F4	40-14 739 0000	570
5002.FV	40-14 639 0000	570
5002.J6	40-14 639 0018	571
5002.L6	40-14 639 0008	571
5002.LJ	40-14 639 0006	569
5002.LQ	40-14 639 0013	570
5002.LY	40-14 639 0007	571
5002.NK	40-14 639 0015	572
5002.NL	40-14 639 0015	572
5002.NN	40-14 639 0015	572
5002.NP	40-14 639 0015	572
5002.QH	40-14 639 0012	568
5002.QL	40-14 639 0005	572
5002.RV	40-14 639 0020	572
5002.RW	40-14 639 0019	573
5002.RX	40-14 639 0012	568
5002.RZ	40-14 639 0016	573
5002.S5	40-14 639 0019	573
5002.S6	40-14 639 0004	573
5002.SA	40-14 639 0016	573

Ref. no.	MEYLE no.	Page
<b>Citroën</b>		
5002.X8	40-14 639 0005	572
5031.51	40-14 412 0001	2
5031.71	11-14 641 1002/S	580
5031.77	11-14 641 0003	620
5031.78	11-14 641 0031	581
5031.79	11-14 641 0030	581
5031.80	40-14 641 0002	581
5031.96	40-14 641 0009	582
5033.23	11-14 640 0001	575
5033.39	11-14 640 0004	575
5033.42	40-14 640 0004	579
5033.72	40-14 640 0000	578
5033.A6	214 640 0010	576
5033.A9	214 640 0010	576
5033.C3	40-14 412 0002	3
5033.E0	11-14 640 0008	575
5033.F2	214 640 0015	577
5035.23	214 770 0001	623
5035.27	214 770 0001 40-14 641 0009	582, 623
5035.29	11-14 641 0018	624
5035.38	11-14 641 0018	624
5035.39	11-14 641 0004	623
5035.43	11-14 641 0018	624
5035.45	11-14 641 0018	624
5035.55	11-14 641 0018	624
5038.15	11-14 641 0019	618
5038.41	11-14 641 1001 11-14 641 1001/S	582, 619
5038.42	11-14 641 1002 11-14 641 1002/S	580, 619
5038.49	40-14 641 0000	620
5038.72	11-14 641 1001 11-14 641 1001/S	582, 619
5038.74	11-14 641 1002 11-14 641 1002/S	580, 619
5038.78	11-14 641 0005	619
5038.85	11-14 641 0003 11-14 641 0003/S	620
5038.87	11-14 641 0013 11-14 641 0030	581, 621
5038.89	11-14 641 0014 11-14 641 0031	581, 621
5038.91	40-14 641 0000	620
5038.A3	11-14 641 0014 11-14 641 0031	581, 621

Ref. no.	MEYLE no.	Page
<b>Citroën</b>		
5038.A4	11-14 641 0013 11-14 641 0030	581, 621
5038.C9	11-14 641 0014 11-14 641 0031	581, 621
5038.E2	11-14 641 0014 11-14 641 0031	581, 621
5038.E3	11-14 641 0013 11-14 641 0030	581, 621
5038.E6	11-14 641 0017	621
5038.F3	11-14 641 0015	616
5038.F4	11-14 641 0016	616
5038.F5	40-14 641 0009	582
5038.F6	40-14 641 0012	583
5038.G2	40-14 641 0007	616
5038.G3	40-14 641 0008	617
5038.G4	11-14 641 0021	583
5038.G6	11-14 641 0022 11-14 641 0025	583, 622
5038.G7	40-14 641 0008	617
5038.G8	40-14 641 0007	616
5038.H4	11-14 641 0022 11-14 641 0025	583, 622
5038.J7	40-14 641 0007	616
5038.J8	40-14 641 0008	617
5081.83	11-14 615 0036 11-14 615 0036/S	534, 544
5081.L0	214 615 0014	544
5081.N9	11-14 615 0013 11-14 615 0013/S 11-16 060 0022/S	533, 544, 547
5081.P3	11-14 615 0033	534
5081.P4	40-14 615 0001	534
5081.P4S	40-14 615 0001	534
5081.Q3	214 615 0014	544
5084.38	11-16 060 5046/HD	548
5087.34	11-16 060 5046/HD	548
5087.37	11-16 060 0006/S	545
5087.38	11-16 060 5046/HD	548
5087.39	11-16 060 0040 11-16 060 5046/HD	548
5087.40	11-16 060 5041/HD	560
5087.42	11-16 060 0040 11-16 060 5046/HD	548
5087.43	11-16 060 0002/HD 11-16 060 0030	554
5087.45	11-16 060 0001/HD	553

Ref. no.	MEYLE no.	Page
<b>Citroën</b>		
	11-16 060 0026	
5087.46	11-16 060 0040 11-16 060 5046/HD	548
5087.48	11-16 060 5046/HD	548
5087.50	11-16 060 0000/HD 11-16 060 0025	551, 555
5087.51	11-16 060 0013/HD 11-16 060 0032	549
5087.52	11-16 060 0015	549
5087.53	11-16 060 0014	550
5087.54	11-16 060 0017/HD 11-16 060 0035	546-547
5087.55	11-16 060 0018/HD 11-16 060 0034	545-546
5087.56	11-16 060 0020/HD 11-16 060 0036	550-551
5087.57	11-16 060 0000/HD 11-16 060 0028	551-552
5087.58	11-16 060 0021/HD 11-16 060 0037	547, 552
5087.59	11-16 060 0001/HD 11-16 060 0026	553
5087.60	11-16 060 0002/HD 11-16 060 0030	554
5087.61	11-16 060 0040 11-16 060 5046/HD	548
5087.62	11-16 060 0000/HD 11-16 060 0025	551, 555
5087.64	11-16 060 0000/HD 11-16 060 0025	551, 555
5087.65	216 060 0000/HD 216 060 0033	555-556
5087.66	11-16 060 0001/HD 11-16 060 0026	553
5087.68	11-16 060 0018/HD 11-16 060 0034	545-546
5087.69	11-16 060 0017/HD 11-16 060 0035	546-547
5087.70	216 060 0000/HD 216 060 0033	555-556
5087.71	11-16 060 0001/HD 11-16 060 0026	553
5087.74	11-16 060 0001/HD 11-16 060 0026	553
5087.77	11-16 060 0000/HD	551
5087.78	216 060 0000/HD	555-556

Ref. no.	MEYLE no.	Page
<b>Citroën</b>		
	216 060 0033	
5087.79	216 060 0000/HD 216 060 0033	555-556
5087.80	11-16 060 0047/HD	556
5087.81	11-16 060 0048/HD	556
5091.10	11-16 060 0019	557
5094.56	11-14 615 0010	535
5094.59	11-14 615 0005	535
5094.65	11-14 615 0003	535
5094.66	11-14 615 0022	536
5094.69	11-14 615 0000	536
5094.88	11-14 615 0014	540
5094.89	11-14 615 0017	536
5094.90	40-14 615 0004	537
5094.91	11-14 615 0038	537
5094.96	40-14 615 0003	537
5094.97	40-14 615 0002	538
5094.98	11-14 615 0035	543
5094.99	11-14 615 0032	538
5094.A0	11-14 615 0034	538
5094.A6	11-14 615 0007	539
5094.A8	11-14 615 0002	539
5094.A9	11-14 615 0031	539
5094.C4	11-14 615 0045	541
5094.C5	11-14 615 0029	540
5094.C6	11-14 615 0040	540
5094.E0	11-14 615 0014	540
5094.E2	11-14 615 0045	541
5094.E3	11-14 615 0017	536
5094.E4	11-14 615 0016	541
5094.E5	11-14 615 0015	541
5094.E6	11-14 615 0047	542
5094.E7	11-14 615 0018	542
5094.F1	11-14 615 0037	542
5094.F2	11-14 615 0046	543
5102.G4	40-14 739 0001	574
5102.J7	40-14 739 0002	574
5131.45	11-14 753 0003	566
5131.47	11-14 710 0025	561
5131.48	11-14 753 0007	567
5131.49	11-14 753 0007	567
5131.63	11-14 710 0013	562
5131.64	11-14 753 0004 11-14 753 0006	566-567
5131.65	11-14 710 0013	562
5131.71	11-14 051 0001	562

Ref. no.	MEYLE no.	Page
<b>Citroën</b>		
5131.72	11-14 710 0001	567
5131.A4	11-14 710 0017	562
5131.A5	11-14 710 0017	562
5131.C1	11-14 710 0015	563
5131.C2	11-14 710 0015	563
5131.C3	11-14 710 0022	517
5131.C4	11-14 710 0029/HD	519
5131.C6	11-14 710 0015	563
5131.C9	11-14 710 0005	563
5131.E0	11-14 710 0020	517
5131.G0	32-14 710 0005 32-14 710 0010	564, 566
5131.G4	11-14 710 0024	563
5131.H1	11-14 710 0019	564
5131.H4	11-14 710 0018	564
5131.H5	32-14 710 0005 32-14 710 0010	564, 566
5132.49	11-14 753 0003	566
5132.55	11-14 753 0004 11-14 753 0006	566-567
5132.62	11-14 753 0003	566
5132.65	11-14 753 0003	566
5133.22	11-14 753 0004 11-14 753 0006	566-567
5142.34	11-14 741 0001	622
5142.48	11-14 741 0002	622
5152.61	11-14 710 0007	565
5152.66	11-14 710 0026	565
5152.67	11-14 710 0026	565
5152.68	11-14 710 0026	565
5154.08	11-14 753 0003	566
5154.09	11-14 753 0003	566
5154.10	11-14 753 0003	566
5154.11	11-14 753 0004 11-14 753 0006	566-567
5166.51	40-14 742 0002	584
5166.63	11-14 742 0000	584
5166.66	40-14 742 0001	585
5166.67	40-14 742 0003	586
5166.68	11-14 742 0001	586
5166.73	11-14 742 0002	585
5166.88	11-14 742 0004	585
5166.94	40-14 742 0003	586
5166.95	11-14 742 0001	586
5166.A4	214 742 0012	586
5170.F5	37-16 060 0022/HD	557-558

Ref. no.	MEYLE no.	Page
<b>Citroën</b>		
	37-16 060 0056	
5170.F6	37-16 060 0022/HD 37-16 060 0056	557-558
5172.58	11-14 715 0000	543
5175.CC	11-16 035 0001/HD	528
5175.CE	11-16 035 0000/HD	527
5175.CF	11-16 035 0002	527
5175.CN	11-16 050 0107	499
5175.CP	11-16 050 0106	499
5175.EH	32-16 035 0001	528
5176.17	11-14 753 0003	566
5178.46	11-16 060 0016/HD 11-16 060 0033	558
5178.48	29-16 060 0004	559
5178.49	29-16 060 0003	559
5178.52	11-16 060 0016/HD 11-16 060 0033	558
5202.EP	11-26 623 0008	590
5202.EQ	11-26 623 0009	591
5202.ER	11-26 623 0008	590
5202.ES	11-26 623 0009	591
5202.GW	40-26 623 0002	587
5202.GX	40-26 623 0003	588
5202.GY	40-26 623 0002	587
5202.GZ	40-26 623 0003	588
5202.H4	40-26 623 0012	590
5202.HE	40-26 623 0002	587
5202.HF	40-26 623 0003	588
5202.J3	40-26 623 0001	588
5202.J5	40-26 623 0000	589
5202.JZ	40-26 623 0002	587
5202.K7	11-26 623 0000	592
5202.K8	11-26 623 0000	592
5202.KA	40-26 623 0003	588
5202.KC	40-26 623 0002	587
5202.KE	40-26 623 0003	588
5202.KL	40-26 623 0003	588
5202.KN	40-26 623 0002	587
5202.KP	40-26 623 0003	588
5202.KS	40-26 623 0002	587
5202.KT	40-26 623 0003	588
5202.KV	40-26 623 0002	587
5202.KW	40-26 623 0003	588
5202.L6	11-26 624 0001	589
5202.LC	40-26 623 0002	587
5202.LE	40-26 623 0003	588



Ref. no.	MEYLE no.	Page
<b>Citroën</b>		
5202.LF	40-26 623 0002	587
5202.LG	40-26 623 0003	588
5202.LN	40-26 623 0002	587
5202.LP	40-26 623 0003	588
5202.LQ	11-26 623 0002	593
5202.NB	11-26 623 0000	592
5202.P9	11-26 623 0008	590
5202.PV	40-26 623 0012	590
5202.PW	40-26 623 0002	587
5202.PX	40-26 623 0003	588
5202.Q0	11-26 623 0008	590
5202.Q3	11-26 623 0009	591
5202.Q6	11-26 623 0002	593
5202.QH	11-26 623 0003	593
5202.QJ	11-26 623 0002	593
5202.QK	11-26 623 0003	593
5202.RE	40-26 623 0002	587
5202.RF	40-26 623 0003	588
5202.RG	40-26 623 0002	587
5202.RH	40-26 623 0003	588
5202.RT	40-26 623 0002	587
5202.RV	40-26 623 0003	588
5202.S9	11-26 623 0000	592
5202.SA	40-26 623 0010	591
5202.SC	40-26 623 0011	592
5202.SE	40-26 623 0010	591
5202.SF	40-26 623 0011	592
5202.SG	11-26 623 0002	593
5202.SH	11-26 623 0003	593
5202.SJ	11-26 623 0002	593
5202.SK	11-26 623 0003	593
5202.SX	40-26 623 0003	588
5202.T8	11-26 623 0008	590
5202.T9	11-26 623 0009	591
5202.TA	40-26 623 0002	587
5202.TC	40-26 623 0003	588
5202.TJ	40-26 623 0002	587
5202.TK	40-26 623 0003	588
5202.TQ	11-26 623 0000	592
5202.TW	40-26 623 0002	587
5202.TX	40-26 623 0003	588
5202.V6	11-26 623 0008	590
5202.V7	11-26 623 0009	591
5202.VG	11-26 623 0012	595
5202.VK	11-26 623 0012	595
5202.VQ	40-26 623 0012	590

Ref. no.	MEYLE no.	Page
<b>Citroën</b>		
5202.WC	11-26 623 0013	595
5202.WE	11-26 623 0012	595
5202.WF	11-26 623 0013	595
5202.WG	11-26 623 0012	595
5202.WH	11-26 623 0013	595
5202.WJ	11-26 623 0002	593
5202.WK	11-26 623 0003	593
5202.WL	11-26 623 0002	593
5202.WN	11-26 623 0003	593
5202.WP	40-26 623 0019	594
5202.WQ	40-26 623 0020	594
5202.WR	40-26 623 0019	594
5202.WS	40-26 623 0020	594
5202.WT	40-26 623 0019	594
5202.WV	40-26 623 0020	594
5202.WW	40-26 623 0019	594
5202.WX	40-26 623 0020	594
5202.XG	226 623 0018	610
5202.XH	226 623 0018	610
5202.XJ	11-26 623 0012	595
5202.XK	11-26 623 0013	595
5202.XT	40-26 623 0017	597
5202.XV	40-26 623 0018	597
5202.XW	40-26 623 0017	597
5202.XX	40-26 623 0018	597
5202.YH	40-26 623 0002	587
5202.YJ	40-26 623 0003	588
5202.YT	11-26 623 0013	595
5202.YV	11-26 623 0012	595
5202.YW	11-26 623 0013	595
5202.YY	11-26 623 0013	595
5202.YZ	11-26 623 0012	595
5202.ZC	40-26 623 0002	587
5202.ZE	40-26 623 0003	588
5202.ZH	226 623 0018	610
5202.ZJ	226 623 0018	610
5202.ZK	226 623 0017	610
5202.ZL	226 623 0017	610
5202.ZP	32-26 623 0003	596
5202.ZR	32-26 623 0004	596
5202.ZS	40-26 623 0017	597
5202.ZT	40-26 623 0018	597
5202.ZV	40-26 623 0017	597
5202.ZW	40-26 623 0018	597
5206.69	11-26 715 0006	598
5206.97	11-26 725 0011	598

Ref. no.	MEYLE no.	Page
<b>Citroën</b>		
5206.AN	40-26 725 0002	604
5206.C5	40-26 725 0001	601
5206.CH	40-26 725 0003	599
5206.CS	40-26 725 0003	599
5206.EE	40-26 725 0008	598
5206.EK	40-26 725 0003	599
5206.F5	11-26 725 0007	599
5206.F8	11-26 725 0007	599
5206.FX	40-26 725 0011	603
5206.FZ	40-26 725 0011	603
5206.G3	11-26 725 0007	599
5206.GA	40-26 725 0011	603
5206.GC	40-26 725 0011	603
5206.H1	11-26 725 0012	600
5206.H2	11-26 725 0012	600
5206.HR	40-26 725 0010	602
5206.HT	40-26 725 0010	602
5206.HZ	40-26 725 0010	602
5206.J2	40-26 725 0000	600
5206.JL	226 725 0013	603
5206.JN	226 725 0013	603
5206.KG	226 725 0012	604
5206.KH	226 725 0012	604
5206.KJ	226 725 0013	603
5206.KK	226 725 0013	603
5206.KN	226 725 0013	603
5206.KZ	226 725 0013	603
5206.L7	11-26 725 0011	598
5206.L8	11-26 725 0011	598
5206.L9	11-26 725 0011	598
5206.LA	226 725 0013	603
5206.LC	32-26 725 0003	600
5206.LS	226 725 0013	603
5206.LT	226 725 0012	604
5206.LV	226 725 0013	603
5206.LW	226 725 0013	603
5206.LX	226 725 0012	604
5206.LY	226 725 0012	604
5206.N7	11-26 725 0012	600
5206.N9	11-26 715 0000	602
5206.NA	226 725 0013	603
5206.NC	40-26 725 0010	602
5206.NZ	226 725 0013	603
5206.P1	40-26 725 0006	602
5206.PA	226 725 0013	603
5206.PE	226 725 0013	603

Ref. no.	MEYLE no.	Page
<b>Citroën</b>		
5206.PF	226 725 0013	603
5206.PG	226 725 0013	603
5206.PR	40-26 725 0007	601
5206.PW	40-26 725 0010	602
5206.PX	40-26 725 0010	602
5206.Q0	40-26 725 0001	601
5206.Q1	40-26 725 0001	601
5206.QH	40-26 725 0009	605
5206.QJ	40-26 725 0009	605
5206.QK	40-26 725 0009	605
5206.QL	40-26 725 0009	605
5206.QN	40-26 725 0009	605
5206.QP	40-26 725 0009	605
5206.QQ	40-26 725 0009	605
5206.QR	40-26 725 0009	605
5206.QW	40-26 725 0011	603
5206.QY	40-26 725 0010	602
5206.QZ	40-26 725 0010	602
5206.R2	11-26 715 0000	602
5206.R4	40-26 725 0006	602
5206.RC	40-26 725 0010	602
5206.RE	40-26 725 0010	602
5206.S6	11-26 715 0006	598
5206.SX	11-26 725 0012	600
5206.TA	11-26 725 0012	600
5206.TH	11-26 715 0000	602
5206.TQ	11-26 725 0012	600
5206.TR	226 725 0013	603
5206.TS	226 725 0012	604
5206.TT	226 725 0013	603
5206.TW	226 725 0012	604
5206.TX	226 725 0013	603
5206.TY	226 725 0013	603
5206.V2	11-26 725 0012	600
5206.VA	226 725 0012	604
5206.VC	226 725 0013	603
5206.VE	40-26 725 0011	603
5206.VF	226 725 0013	603
5206.VG	226 725 0013	603
5206.VH	226 725 0013	603
5206.VQ	40-26 725 0011	603
5206.VR	40-26 725 0011	603
5206.VS	226 725 0012	604
5206.VT	226 725 0012	604
5206.VV	40-26 725 0012	605
5206.VW	40-26 725 0012	605

Ref. no.	MEYLE no.	Page
<b>Citroën</b>		
5206.X7	40-26 725 0002	604
5206.YQ	40-26 725 0009	605
5206.YR	40-26 725 0009	605
5206.YX	40-26 725 0012	605
5206.Z5	40-26 725 0002	604
5206.Z7	40-26 725 0002	604
5206.ZH	40-26 725 0014	606
5206.ZJ	40-26 725 0014	606
5206.ZK	40-26 725 0014	606
5206.ZV	11-26 725 0020	615
5206.ZW	11-26 725 0020	615
5208.51	40-26 623 0014	611
5208.52	40-26 623 0013	607
5208.53	226 623 0018	610
5208.54	226 623 0018	610
5208.56	226 623 0017	610
5208.81	40-26 623 0015	606
5208.82	40-26 623 0016	607
5208.83	40-26 623 0015	606
5208.84	40-26 623 0016	607
5208.C4	11-26 623 0012	595
5208.C5	11-26 623 0013	595
5208.C6	11-26 623 0013	595
5208.C7	11-26 623 0012	595
5208.E6	11-26 623 0018	614
5208.E7	11-26 623 0019	614
5208.E8	11-26 623 0018	614
5208.E9	11-26 623 0019	614
5208.F4	40-26 623 0013	607
5208.F6	40-26 623 0022	608
5208.F7	40-26 623 0023	608
5208.F8	40-26 623 0022	608
5208.F9	40-26 623 0023	608
5208.G0	40-26 623 0024	609
5208.G1	40-26 623 0025	609
5208.G2	11-26 623 0018	614
5208.G3	11-26 623 0019	614
5208.H1	40-26 623 0024	609
5208.H2	40-26 623 0025	609
5208.L2	226 623 0018	610
5208.L3	226 623 0018	610
5208.L4	226 623 0017	610
5208.L5	226 623 0017	610
5208.L6	226 623 0018	610
5208.Q2	40-26 623 0019	594
5208.Q3	40-26 623 0020	594

Ref. no.	MEYLE no.	Page
<b>Citroën</b>		
5208.Q4	40-26 623 0019	594
5208.Q5	40-26 623 0020	594
5208.S0	32-26 623 0003	596
5208.S1	32-26 623 0004	596
5208.T5	40-26 623 0014	611
5208.T7	40-26 623 0026	611
5208.T8	40-26 623 0027	612
5208.V5	40-26 623 0026	611
5208.V6	40-26 623 0027	612
5208.V7	40-26 623 0026	611
5208.V8	40-26 623 0027	612
5208.W7	11-26 623 0018	614
5208.W8	11-26 623 0019	614
5254.13	11-14 640 0001	575
5254.19	11-14 640 0004	575
5254.35	40-14 640 0000	578
5254.37	11-14 640 0008	575
5254.47	214 640 0015 614 643 0000	577, 580
5 462 429	025 203 8915	96
5 470 530	614 818 0002	390
5702.J4	514 053 1004	301
5705.AS	11-14 053 1001 514 053 1003	302
5705.NH	514 053 1003	302
5750..C1	050 006 1163	324
5750.79	050 005 0975	310
5750.98	050 006 1070	325
5750.A1	050 006 1660	320
5750.A2	050 006 1080	321
5750.C4	050 005 0850	341
5750.C9	050 006 1150	315
5750.D1	050 005 1195	310
5750D1	050 005 1200	311
5750.D9	050 006 0915	313
5750.E2	050 006 1100	324
5750.E7	050 006 0800	313
5750.E9	050 006 1150	315
5750.EK	050 006 1705	330
5750.EM	050 006 1468	329
5750..ET	050 006 1185	317
5750.EX	050 006 1438	332
5750.EY	050 006 1438	332
5750.F0	050 006 1705	330
5750.FA	050 006 1725	323
5750.FC	050 006 1725	323

Ref. no.	MEYLE no.	Page
<b>Citroën</b>		
5750.FF	050 006 0745	311
5750.FG	050 006 1185 050 006 1190	317, 343
5750.FJ	050 006 1205	332
5750.FK	050 006 1185	317
5750.FN	050 006 0875	311
5750.FP	050 006 1150	315
5750.FQ	050 005 1220	334
5750.FR	050 005 1220	334
5750.FS	050 006 0800	313
5750.FT	050 006 0800	313
5750.FV	050 006 0976	330
5750.FW	050 006 0976	330
5750.G8	050 004 0698	337
5750.G9	050 004 0810	337
5750.GC	050 006 0725	312
5750.GE	050 006 1125	322
5750.GF	050 006 1750	331
5750.GH	050 006 1185	317
5750.GJ	050 006 1390	312
5750.GK	050 006 1740	322
5750.GN	050 006 1125	322
5750.GP	050 006 1390	312
5750.GS	050 006 1698	332
5750.GW	050 006 1145	322
5750.GX	050 006 1150	315
5750.GZ	050 006 1560	324
5750.H1	050 004 0954	339
5750.H5	050 005 0850	341
5750.H9	050 006 0725	312
5750.HE	050 006 1680	315
5750.HH	050 006 1743	328
5750.J0	050 006 0800	313
5750.J1	050 006 0915	313
5750.J2	050 006 1015	313
5750.J3	050 006 1080	321
5750.J4	050 006 1095	320
5750.J5	050 006 1130	321
5750.J6	050 006 1150	315
5750.J7	050 006 1660	320
5750.J8	050 006 1698	332
5750.J9	050 006 1698	332
5750.K0	050 006 1145	322
5750.K1	050 006 1145	322
5750.K5	050 005 0962	314
5750.K6	050 006 1863	314

Ref. no.	MEYLE no.	Page
<b>Citroën</b>		
5750.K8	050 006 1070	325
5750.KT	050 006 1705	330
5750.KV	050 006 1345	321
5750.L0	050 006 1110	323
5750.L1	050 006 1740	322
5750.L2	050 006 1740	322
5750.L2	050 006 1735	343
5750.L3	050 006 1150	315
5750.L4	050 006 1150	315
5750.L7	050 004 1025	340
5750.L9	050 006 1163	324
5750.LC	050 006 0725	312
5750.LH	050 006 1705	330
5750.M0	050 006 1200	329
5750.M3	050 006 1725	323
5750.M5	050 006 1100	324
5750.M7	050 006 1725	323
5750.M9	050 006 1163	324
5750.P1	050 004 0755	337
5750.P2	050 006 1710	327
5750.P5	050 005 0725	333
5750.P6	050 005 0725	333
5750.P7	050 005 1030	342
5750.PC	050 006 1150	315
5750.PF	050 006 1000	326
5750.PL	050 006 1050	325
5750.PN	050 006 1050	325
5750.PQ	050 006 1070	325
5750.PY	050 006 1680	315
5750.Q1	050 005 1050	342
5750.Q2	050 005 1050	342
5750.Q5	050 006 1605	319
5750.Q7	050 005 0880 050 005 0884	336, 341
5750.Q9	050 004 0855	338
5750.Q9	050 004 0860	338
5750.QF	050 006 1225	315
5750.QH	050 006 0965	316
5750.QK	050 006 0850	316
5750.QN	050 006 1210	316
5750.QR	050 006 0875	311
5750.QT	050 006 1185	317
5750.QY	050 006 1090/E	330
5750.R0	050 005 1255	336
5750.R1	050 005 0812	317
5750.R2	050 006 1605	319

Ref. no.	MEYLE no.	Page
<b>Citroën</b>		
5750R5	050 006 1735	343
5750.R9	050 006 1740	322
5750.RF	050 006 1565	317
5750.RH	050 006 1698	332
5750.RN	050 006 1670	318
5750.RR	050 006 1710	327
5750.RT	050 006 1163	324
5750RW	050 006 1090/E	330
5750.RX	050 006 1350 050 006 1360	318
5750.RZ	050 006 1205	332
5750.S7	050 006 1740	322
5750.S9	050 006 1605	319
5750.SE	050 005 0880	341
5750.SF	050 005 0860	319
5750SQ	050 004 0698	337
5750SS	050 004 0954	339
5750SY	050 005 1140	319
5750.T0	050 006 1623	320
5750.T6	050 006 1450	331
5750.T8	050 006 1740	322
5750.TF	050 006 1095	320
5750.TG	050 006 1660	320
5750.TH	050 006 1080	321
5750.TK	050 006 1130	321
5750.TN	050 006 1163	324
5750.TR	050 005 0760	340
5750.TT	050 005 1255	336
5750V0	050 004 0860	338
5750.VE	050 006 1590	327
5750.VF	050 006 1438	332
5750.VG	050 006 1725	323
5750.VJ	050 006 1190	343
5750VK	050 005 1220	334
5750.VL	050 006 0800	313
5750.VP	050 006 1345	321
5750.VQ	050 006 1705	330
5750.VS	050 006 1740	322
5750.VT	050 006 1125	322
5750.VX	050 006 1740 050 006 1743	322, 328
5750.VY	050 006 1698	332
5750.VZ	050 006 1145	322
5750W0	050 006 1735	343
5750.W2	050 006 1045	329
5750.W6	050 006 1725	323

Ref. no.	MEYLE no.	Page
<b>Citroën</b>		
5750.WF	050 006 1110	323
5750.WG	050 006 1560	324
5750.WH	050 006 1468	329
5750.WJ	050 006 1150	315
5750.WL	050 006 1163	324
5750.WN	050 006 0725	312
5750.WP	050 006 1710	327
5750.WR	050 006 1100	324
5750WT	050 004 0755	337
5750.WV	050 005 0725	333
5750.WY	050 006 1050	325
5750.WZ	050 006 1070	325
5750.X3	050 006 1740	322
5750.X4	050 006 0869	325
5750X7	050 006 1735	343
5750.X8	050 006 1468	329
5750.XA	050 006 1565	317
5750.XC	050 006 1885	326
5750XE	050 005 1050	342
5750.XF	050 006 0965	316
5750.XG	050 006 1000	326
5750.XH	050 006 0875	311
5750.XJ	050 006 1185	317
5750.XK	050 006 1590	327
5750.XP	050 006 0873/E	327
5750.XR	050 006 1710 050 006 1715	327-328
5750.XS	050 006 1743	328
5750.XT	050 006 1468	329
5750XV	050 004 0860	338
5750.XW	050 006 1045	329
5750.Y2	050 006 1200	329
5750.Y4	050 006 1565	317
5750.Y5	050 006 1705	330
5750.YA	050 006 1705	330
5750.YC	050 006 1450	331
5750.YF	050 006 1735	343
5750.YG	050 006 1750	331
5750.YH	050 006 1670	318
5750.YJ	050 006 1090/E	330
5750.YP	050 006 0800	313
5750.YQ	050 006 0976	330
5750.YS	050 006 0976	330
5750.Z1	050 006 1450	331
5750.Z3	050 006 1565	317
5750Z5	050 006 1735	343

Ref. no.	MEYLE no.	Page
<b>Citroën</b>		
5750.Z6	050 006 1750	331
5750.Z7	050 006 1750	331
5750.Z9	050 006 1438	332
5750.ZF	050 006 0800	313
5750.ZG	050 006 1205	332
5750.ZH	050 006 1698	332
5751.57	11-14 009 0012	304
5751.87	714 009 0003	304
5751.96	11-14 009 0012	304
5751.97	11-14 903 1003	301
5751.98	16-14 009 0012	303
5751.A2	11-14 903 1003	301
5751.C3	11-14 903 1002	301
5751.C8	11-14 903 1003	301
5751.C9	16-14 009 0012	303
5751.E6	11-14 009 0009	303
5751.F1	714 009 0000	304
5751.F2	714 020 0006	306
5751.F4	11-14 009 0009	303
5751.G3	16-14 009 0012	303
5751.G7	11-14 903 1002	301
5946.03	314 811 0001	275
5946.07	614 899 0017	291
5946.16	214 811 0001	275
5946.20	214 811 0001	275
5946.22	11-14 811 0003	274
5946.23	11-14 811 0002	274
5946.28	11-14 811 0002	274
5946.30	11-14 811 0003	274
5946.35	11-14 811 0001	274
5960.66	714 020 0003	260
5960.67	714 020 0003	260
5960.69	11-14 860 0000	260
5960.72	40-14 860 0001	264
5960.77	514 860 0001	261
5960.79	11-14 860 0001	261
5960.A0	40-14 860 0002	262
5960.A4	214 860 0003	257
5960.E6	40-14 860 0006	258
5960.E7	53-14 860 0002	258
5960.E9	714 860 0002	259
5960.F4	714 020 0004	259
5960.F5	714 020 0003	260
5960.F6	11-14 860 0000	260
5960.F8	514 860 0001	261
5960.F9	11-14 860 0001	261

Ref. no.	MEYLE no.	Page
<b>Citroën</b>		
5960.G2	714 020 0001	262
5960.G6	40-14 860 0002	262
5960.G7	014 020 1039	262
5960.H6	40-14 860 0000	263
5960.K0	714 860 0001	263
5960.K4	214 860 0003	257
5960.K5	40-14 860 0001	264
5960.K6	40-14 860 0006	258
5960.L1	40-14 860 0003	264
5960.L4	614 860 0010	264
5962.1P	40-14 860 0000	263
5962.1Q	40-14 860 0000	263
5962.3J	014 020 1039	262
5970.45	40-14 885 0001	266
5970.48	40-14 885 0005	267
5970.49	40-14 885 0006	266
5970.53	214 885 0010	266
5970.60	40-14 885 0005	267
5970.64	314 885 0005	268
5970.73	11-14 885 0003	270
5970.74	40-14 885 0000	271
5970.75	11-14 885 0007	269
5970.80	11-14 885 0002	270
5970.85	11-14 885 0006	267
5970.87	40-14 885 0008	270
5970.88	30-14 885 0004	268
5970.91	314 885 0005	268
5970.94	11-14 885 0001	268
5970.97	40-14 885 0002	269
5970.98	11-14 885 0007	269
5970.99	11-14 885 0002	270
5970.A0	40-14 885 0008	270
5970.A4	11-14 885 0003	270
5970.A5	11-14 885 0004	271
5970.A8	40-14 885 0002	269
5970.A9	40-14 885 0000	271
5970.C0	30-14 885 0004	268
5970.C1	30-14 885 0004	268
5981.47	11-14 880 0009	252
6160.70	40-14 899 0001	299
6423.65	029 650 4750	16
6423.N0	029 650 4750	16
6426.T3	029 290 1111	16
6426.YP	029 650 4750	16
6426.YQ	029 650 4750	16
6434.58	11-14 870 0002	12

Ref. no.	MEYLE no.	Page
<b>Citroën</b>		
6434.60	11-14 870 0003	12
6434.70	11-14 870 0001	13
6434.71	16-14 870 0003	13
6434.74	100 955 0002	14
6434.75	11-14 870 0001	13
6434.76	16-14 870 0003	13
6434.92	11-14 870 0001	13
6434.97	16-14 870 0003	13
6434.98	11-14 870 0001	13
6434.A1	314 870 0005	15
6434.C9	100 955 0007	15
6441.EG	40-12 319 0000	26
6441.EJ	40-12 320 0003	26
6441.H7	40-12 319 0000	26
6444.FF	40-12 319 0006	26
6447.FF	40-12 319 0006	26
6447.HP	40-12 319 0001	36
6447.HV	40-12 320 0002	27
6447.J0	212 319 0004	27
6447.KR	40-12 319 0001	36
6447.LN	40-12 319 0006	26
6447.LV	40-12 319 0000	26
6447.LY	40-12 319 0004	27
6447.LZ	40-12 319 0004	27
6447.NT	11-12 319 0000	28
6447.NV	11-12 320 0000	28
6447.TC	40-12 320 0003	26
6447.TL	11-12 319 0000	28
6447.TV	11-12 319 0009	36
6447.VX	11-12 320 0008/S	28
6447.VY	11-12 319 0008/S 11-12 326 0008/PD 11-12 330 0000/SK 11-12 330 0001/S	1, 29
6447.XF	11-12 319 0010	30
6447.XG	11-12 320 0010 11-12 326 0010/PD	30-31
6447.YC	11-12 319 0014 11-12 324 0014	36, 40
6447.YK	11-12 319 0012	31
6447.YN	11-12 320 0012	32
6447.Z4	40-12 319 0000	26
6447.ZY	32-12 319 0002	32
6453CV	050 005 1100	342
6453E5	050 004 0810	337
6453FK	050 005 1100	342

Ref. no.	MEYLE no.	Page
<b>Citroën</b>		
6453NX	050 005 1100	342
6453.SG	214 009 0004	305
6453TX	050 005 1030	342
6453TZ	050 005 1100	342
6453.VA	050 006 0925	333
6453.W0	050 006 0925	333
6479.04	40-12 319 0003	32
6479.43	40-12 320 0003	26
6479.45	11-12 319 0011 11-12 320 0011	33
6479.60	612 319 0016	35
6479.61	612 320 0016 612 324 0016 612 326 0016/PD	33-34
6479.62	212 319 0012 212 320 0012 212 326 0012/PD	34-35, 37
6479.75	11-12 320 0000	28
6479.84	612 319 0016	35
6479.A1	40-12 319 0001	36
6479.A5	11-12 319 0009	36
6479.A6	11-12 319 0012	31
6479.A7	11-12 320 0012	32
6479.C9	11-12 319 0014	36
6479.E0	212 319 0012	37
6479.E5	40-12 319 0004	27
6479.E9	32-12 320 0002 32-12 326 0002/PD	37
6555.11	100 830 0014	298
6555.34	100 830 0014	298
6822.JL	11-14 650 0012	633
7000510368C0	40-40 910 0030	10
7273.7X	40-14 498 0028 40-14 498 0045	205, 222
75521559	16-14 533 0039/K	144
7 567 284	11-16 010 4087/HD	473
7925.11	40-40 910 0010	2
7925.14	40-40 910 0011	2
831R9	11-51 049 0017	307
831T4	11-51 049 0015	307
8731.C0	40-40 910 0006	3
8731.E0	40-40 910 0002	3
8731.E3	40-40 910 0000	4
8731.E5	11-40 910 0008	4
8731.E7	40-40 910 0006	3
8731.F1	40-40 910 0005	7

Ref. no.	MEYLE no.	Page
<b>Citroën</b>		
8731.F5	40-40 910 0004	4
8731.F6	40-40 910 0004	4
8731.G3	40-40 910 0007	5
8731.G6	11-40 910 0017	5
8731.J8	40-40 910 0014	5
8731.J9	40-40 910 0020	6
8731.K0	40-40 910 0018	6
8731.K1	40-40 910 0022	6
8731.K2	40-40 910 0022	6
8731.K9	40-40 910 0007	5
8731.L0	40-40 910 0015	7
8731.N1	40-40 910 0005	7
8731.N9	40-40 910 0019	7
8731.P2	40-40 910 0017	8
8731.P4	40-40 910 0016	8
8731.P5	40-40 910 0021	8
8731.Q1	32-40 910 0017	9
8731.Q9	40-40 910 0021	8
8731.R7	40-40 910 0023	9
8731.R9	40-40 910 0024	9
8731.S0	40-40 910 0025	10
8731.S8	40-40 910 0030	10
8731.T0	40-40 910 0017	8
8731.T9	40-40 910 0026	10
8731.V0	240 910 0028	11
8731.V4	40-40 910 0029	11
8731.V8	40-40 910 0027	11
91 470 530	614 818 0002	390
91 504 358	11-16 050 3198	500
91 508 338	11-15 521 0042 11-15 521 0042/PD	71, 83
91 508 755	050 004 0954	339
91508762	050 004 0954	339
91 509 908	11-15 523 0003	139
91 510 533	100 611 0034	179
91 510 633	214 770 0001	623
91 510 923	11-14 620 0000	434
91 511 136	11-13 012 0163	356
91 514 549	314 136 2102	280
91 515 653	11-14 352 0005	517
91 515 816	11-14 525 0045	178
91 516 334	11-16 050 3199	500
91 516 335	11-16 050 3198	500
91 516 336	11-16 050 3198	500
91 516 337	11-16 050 3199	500
91516880	11-26 613 0013	612

Ref. no.	MEYLE no.	Page
<b>Citroën</b>		
91 517 695	11-15 521 0031 11-15 521 0031/PD	81
91 518 816	11-14 525 0045	178
91 535 807	314 133 2108	390
91 536 222	050 004 0698	337
91 536 227	050 004 1025	340
91 536 703	050 004 0954	339
91 540 797	614 036 0012	398
91 541 144	050 005 0725	333
91 541 175	050 005 0725	333
91 541 177	050 004 0800	333
91541178	050 005 1230	308
91 541 179	050 005 1220	334
91541179	050 005 1230	308
93 501 676	050 004 0698	337
93 502 487	050 004 0698	337
9400831869	11-51 049 0013	306
94 014 459 68	11-12 321 0041	383
94 040 590 80	11-16 020 5042	465
9404241998	16-14 533 0039/K	144
94 044 027 08	16-14 533 0043 214 531 0012	141, 180
94 046 018 58	100 611 0034	179
94 510 012 63	11-13 012 0723	365
94 511 355 80	11-16 050 0063	481
94 511 356 80	11-16 050 0064	481
9455304219	11-26 613 0013	612
94 580 841 80	40-16 020 5723/HD	466
94 580 842 80	40-16 020 5724/HD	465
94 710 005 65	40-16 020 5723/HD	466
94 710 006 65	40-16 020 5724/HD	465
94 710 074 65	40-16 020 5724/HD	465
94 710 075 65	40-16 020 5723/HD	466
94 782 679 80	11-15 523 0030	140
95 006 268	050 005 1125	334
95 027 199	11-15 521 0012	77
95 028 039	11-16 010 3347	468
9503035580	11-14 753 0004 11-14 753 0006	566-567
95 462 429	025 203 8915	96
95 470 530	614 818 0002	390
95 495 621	214 322 0002	407
95 495 622	214 322 0002	407
95 534 788	014 020 1039	262
95 558 218	112 129 0005	386
95 559 627	112 129 0005	386



Ref. no.	MEYLE no.	Page
<b>Citroën</b>		
9556384280	11-14 753 0003	566
95 565 564	025 203 8915	96
95 575 080	11-15 521 0001	72
95 580 483	214 322 0002	407
95 585 454	11-15 521 0001	72
95 588 499	025 203 8915	96
95 591 073	40-14 498 0038	195
95 591 074	40-14 498 0035	208
95 598 210	40-14 498 0001	228
95 603 182	11-14 650 0010	632
95 603 308	16-14 610 0009	518
95 604 719	40-14 498 0000	228
95 605 128	11-12 321 0010	381
95 606 669	16-14 531 0012	187
95 608 853	11-14 531 0007 40-14 533 0006	142, 180
95 608 854	11-14 531 0008 40-14 533 0006	142, 180
95 611 498	025 210 8017/PD 025 210 8017/W	123
95 612 377	050 004 0755	337
95 615 159	025 212 0519/W	120
95 615 878	40-14 498 0002	228
95 616 818	025 210 8017/PD 025 210 8017/W	123
95616883	16-14 533 0043	141
95 618 786	11-12 014 4419	382
95 619 481	40-14 498 0038	195
95 619 482	40-14 498 0035	208
95 619 515	11-14 533 0017 40-14 533 0005/K 40-14 533 0006	142, 145, 165
95 619 549	025 212 6717/W	118
95 619 550	025 212 6717/PD 025 212 6717/W	117-118
95 619 601	025 212 6717/W	118
95 624 482	025 203 8915	96
95 632 048	11-15 521 0032 11-83 521 0032/PD	58, 82
95 638 635	11-15 521 0012	77
95 638 747	214 322 0002	407
95 640 493	11-14 821 0015	286
95 640 895	025 212 0519/W	120
95643714	36-14 533 0017 36-14 533 0017/K	148-149
95 644 403	11-14 498 0010	196

Ref. no.	MEYLE no.	Page
<b>Citroën</b>		
95 646 300	025 212 6717/PD 025 212 6717/W	117-118
95 647 611	025 212 6717/PD 025 212 6717/W	117-118
95 647 733	025 210 8017/PD 025 210 8017/W	123
95 650 872	025 201 6215	122
95 650 935	025 212 6717/W	118
95 650 936	025 212 6717/W	118
95 650 937	025 212 6717/W	118
95 650 938	025 212 6717/W	118
95 651 047	025 201 6215	122
95 653 213	11-14 533 0017	145
95 654 075	11-14 650 0010	632
95 654 085	025 201 6215	122
95 654 730	40-14 498 0038	195
95 654 731	40-14 498 0035	208
95 655 344	11-14 533 0017	145
95 656 566	11-13 012 0163	356
95 658 433	11-12 014 4485	370
95 658 437	11-12 321 0041	383
95 658 483	11-12 321 0041	383
95 658 617	025 212 6717/PD 025 212 6717/W	117-118
95 658 882	40-16 050 0002/HD	482
95 658 883	40-16 050 0004/HD	490
95 658 884	40-16 050 0002/HD	482
95 658 885	40-16 050 0004/HD	490
95 658 978	11-16 050 6980	501
95 658 979	11-16 050 6979	501
95 659 340	025 214 1418/W	120
95659340	025 209 0618/PD 025 209 0618/W	119
95 659 341	025 209 7311 025 209 7311/PD	102
95 659 353	025 210 8017/W	123
95 659 354	11-12 014 4485	370
95 659 470	11-14 533 0003 11-14 533 0003/K 11-14 533 0003/S 11-14 533 0032	155-156
95 659 616	025 214 1418/W	120
95659616	025 209 0618/PD 025 209 0618/W	119
95 659 622	11-15 523 0031	140
95 659 639	025 215 0417/W	118

Ref. no.	MEYLE no.	Page
<b>Citroën</b>		
95 659 640	025 215 0417/W	118
95 659 642	025 201 6215	122
95 659 661	16-14 533 0048/K	165
95 659 671	11-14 533 0000 11-14 533 0000/K 11-14 533 0026	150-151
95 659 673	11-14 531 0005 11-14 533 0026	151, 181
95 659 674	11-14 531 0006 11-14 533 0026	151, 181
95 659 676	11-14 533 0002/K	145
95 661 746	11-15 521 0001	72
95 661 747	11-15 521 0031 11-15 521 0031/PD	81
95 661 748	11-15 521 0042 11-15 521 0042/PD	71, 83
95 661 749	11-15 523 0010 11-15 523 0010/PD	76-77
95 661 798	025 203 8915	96
95 661 810	11-15 521 0012	77
95 661 848	11-15 521 0012	77
95661851	16-14 533 0042/K 16-14 533 0043	141, 148
95 661 871	025 210 8017/PD 025 210 8017/W	123
95 663 213	40-14 533 0005/K 40-14 533 0006	142, 165
95 666 940	40-14 498 0022	200
95 666 970	025 214 1418/W	120
95666970	025 209 0618/PD 025 209 0618/W	119
95 666 971	025 209 7311 025 209 7311/PD	102
95 666 973	025 201 6215	122
95 666 985	050 004 1025	340
9566722180	214 498 0012 214 498 0032	229
95 667 765	025 212 0519/W	120
95 667 785	025 216 3117/PD 025 216 3117/W	99
95 667 786	025 216 3117/PD 025 216 3117/W	99
95 667 788	025 201 6215	122
95 667 809	11-15 521 0032 11-83 521 0032/PD	58, 82
95 667 811	40-15 523 1001	78

Ref. no.	MEYLE no.	Page
<b>Citroën</b>		
95 667 986	40-12 319 0000	26
95 668 067	11-14 533 0032 16-14 531 0009	156, 181
95 668 068	11-14 533 0032 16-14 531 0010	156, 182
95 668 069	11-14 531 0009	182
95 668 070	11-14 531 0010	182
95 668 510	40-16 050 0002/HD	482
95 668 511	40-16 050 0004/HD	490
95 668 512	40-16 050 0002/HD	482
95 675 822 80	214 498 0013	230
95 685 512	11-16 050 0036/HD 11-16 610 0004/HD	502, 532
95 685 513	11-16 050 0037/HD 11-16 610 0004/HD	502, 532
96 001 123	050 004 0954	339
96 002 933	214 322 0002	407
96 008 036	614 036 0012	398
96 012 770	11-15 523 0010 11-15 523 0010/PD	76-77
96 014 241	050 005 1270	334
96 018 422	11-14 821 0007	283
96 018 426	11-14 821 0011	284
96 019 294	050 004 0855	338
96 019 295	050 004 0855	338
96 025 445	40-16 010 0002	470
96 031 845	40-14 498 0028 40-14 498 0045	205, 222
96 032 731	11-26 725 0007	599
96 032 733	11-26 725 0007	599
96 033 248	11-14 821 0005	282
96 035 284	40-14 885 0001	266
96 037 068	214 811 0001	275
96 037 346	11-14 525 0041	178
96 038 938	37-14 813 0001	295
96 048 214	11-16 030 0001	443
96 048 666	40-14 498 0022	200
96 048 667	40-14 498 0021	212
96 056 833	050 005 1165	335
96 056 928	11-26 725 0007	599
96 062 288	40-14 885 0006	266
96 070 525	11-15 521 0042 11-15 521 0042/PD	71, 83
96 074 054	40-14 885 0005	267
96 075 425	16-14 525 0005	179
96 076 258	714 860 0001	263

Ref. no.	MEYLE no.	Page
<b>Citroën</b>		
96 080 322	11-14 525 0002	167
96 083 765	11-26 725 0011	598
96 085 642 80	11-13 012 0158	358
96 091 416	40-14 498 0028 40-14 498 0045	205, 222
96 092 693	11-14 812 0011	294
96 093 233	11-16 010 3356	474
96 095 217	40-14 498 0022	200
96 098 964	11-14 323 0002	393
96099089	11-51 902 2005	308
96 103 696	40-16 010 0002	470
96 103 814	11-16 060 5707	560
96 109 017	11-14 525 0040	179
96 110 483	11-14 610 0015/HD 11-16 610 0004/HD 40-16 610 0000/HD	518, 529, 532
96 111 043	11-14 610 0015/HD 11-16 610 0004/HD	518, 532
96 113 432	16-14 610 0009	518
96 116 051	11-26 725 0007	599
96 117 374	050 004 0810 050 004 0815	335, 337
96 121 278 17	11-14 803 0007	277
96 124 223	11-14 525 0017	168
96 126 957	050 005 1030	342
96 127 346	11-14 803 0007	277
96129654	050 005 1255	336
96 129 662	050 005 0884	336
96 131 549	614 818 0002	390
96 132 698	11-14 525 0010	175
96 136 394	11-16 030 5749	450
96 137 825	11-26 725 0007	599
96 141 635	40-14 498 0005	230
96 141 637	40-14 498 0003	230
96 142 840	050 006 0698	335
96 144 509	050 006 1130	321
96 144 871	11-12 014 4486	387
96 152 078	050 006 1660	320
96 152 079	050 006 1660	320
96 152 080	050 006 0698	335
96 152 082	050 006 1070	325
96 152 083	050 006 1070	325
96 152 084	050 006 1080	321
96 152 085	050 006 1080	321
96 152 090	050 005 1155	343
96 152 091	050 005 1155	343

Ref. no.	MEYLE no.	Page
<b>Citroën</b>		
96 152 213	11-16 060 5046/HD	548
96 154 391	050 006 0800	313
96 155 010	050 006 1015	313
96 155 377	050 005 0884	336
96155379	050 005 1255	336
96 155 949	050 006 1705	330
96 164 213	40-14 498 0005	230
96 165 970 80	40-14 885 0006	266
96 167 304	40-14 498 0028 40-14 498 0045	205, 222
96 171 875	40-14 498 0028 40-14 498 0045	205, 222
96171996	11-14 184 1013	422
96 173 636	40-14 498 0028 40-14 498 0045	205, 222
96 173 680	050 005 0760	340
96 173 769 80	11-13 012 0723	365
96 177 836	11-16 060 5041/HD	560
96 181 191	40-40 910 0006	3
96 188 881	050 006 1740	322
96188881	050 006 1735	343
96 199 475 80	40-14 498 0010	231
96 199 476 80	40-14 498 0010	231
96201309	11-51 902 2005	308
96 20 904 480	050 006 1145	322
96 217 756	11-14 899 0010	236
96 218 046	11-14 899 0025	250
96 220 720 80	40-14 631 0000	428
9622739380	11-14 030 0028	414
96 227 489	11-14 899 0010	236
96 229 977	11-14 803 0001	276
96 230 003 80	11-14 803 0010	277
96 233 739	11-16 010 3347	468
96 236 849	050 006 1163	324
96 245 429 80	050 006 1725	323
96 260 840 88	214 498 0074 40-14 498 0036	205, 222
96 261 720	050 005 1050	342
96 271 468 80	11-14 631 0009	431
9627434580	11-14 753 0004 11-14 753 0006	566-567
96 285 598	40-14 800 0005	287
96 285 599	40-14 800 0005	287
96 288 787	11-16 060 0001/HD 11-16 060 0026	553
96 310 010	40-14 810 0000	278

Ref. no.	MEYLE no.	Page
<b>Citroën</b>		
96 317 166 80	11-14 812 0008	293
96 317 187 80	050 006 1725	323
96 323 350 80	40-14 631 0004	431
96 324 274	11-16 060 0002/HO 11-16 060 0030	554
96 325 624 80	40-14 821 0000	279
96 326 720 80	11-14 919 0009	398
96 32 984 980	16-14 870 0003	13
96 333 152	11-14 009 0012	304
96 335 188 80	11-14 821 0012	285
96 33 727 280	050 006 1450	331
96 360 862	11-12 320 0000	28
96 36 148 880	11-14 803 0001	276
96 36 148 882	11-14 803 0001	276
96 363 378	11-14 885 0002	270
96 368 027	40-14 810 0000	278
96 371 434	214 322 0002	407
96 372 208	40-14 800 0004	254
96 372 505 80	050 006 1468	329
96 374 669	40-14 800 0004	254
9638007780	050 006 1565	317
96 382 908	11-14 899 0023	238
96 393 814 80	11-14 812 0004	290
96 394 189 80	11-14 812 0003	290
96 399 999 80	11-14 810 0003	253
96 401 158 80	050 006 0800	313
96 401 159 80	050 006 0800	313
96 411 841 80	050 006 1438	332
96 411 842 80	050 006 1438	332
96 415 222 80	11-19 222 0000	347
96 422 120 80	11-12 321 0009	383
96 423 837 80	050 006 0976	330
96 423 839 80	050 006 0976	330
96 426 581 80	16-14 009 0012	303
96 427 899 80	11-14 812 0006	292
96 429 657	11-14 009 0012	304
96 436 957 80	11-14 810 0004	256
9643903780	050 004 0860	338
96 442 929 80	40-14 498 0051	227
96 448 854	214 322 0002	407
96 452 957 80	11-12 321 0009	383
96 453 114 80	11-14 811 0000	273
96 461 258	11-14 899 0005	241
9646254781	40-14 641 0000	620
96 463 960 80	16-14 009 0012	303
96 469 709	11-14 899 0031	242

Ref. no.	MEYLE no.	Page
<b>Citroën</b>		
96 469 709 80	11-14 899 0031	242
96 469 712	40-14 899 0002	242
96 469 725 80	11-14 899 0034	242
96 472 953 80	40-40 910 0018	6
96 472 954 80	40-40 910 0014	5
96 493 965 80	11-14 812 0010	293
96 494 488 80	11-14 323 0006	392
96 496 758 80	11-14 903 1003	301
96 502 568 80	11-16 050 0031	507
96 508 541 80	40-40 910 0020	6
96 51 710 680	11-14 885 0006	267
96 519 312 80	11-14 812 0009	290
96 520 466 80	11-14 903 1003	301
96 520 736 80	11-14 903 1002	301
96 526 967	11-14 899 0004	241
9653126680	11-14 184 0002	424
96 53 204 180	050 006 1000	326
96 53 204 380	050 006 1000	326
96 53 319 680	050 006 1050	325
96 533 197	050 006 1070	325
96 53 319 780	050 006 1070	325
96 541 142 80	050 006 1360	318
96 544 334 80	40-40 910 0017	8
96 544 335 80	40-40 910 0016	8
96 544 386 80	40-40 910 0019	7
96 550 295 80	050 006 1680	315
96 550 297 80	050 006 1680	315
96 554 141 80	40-14 821 0000	279
96 554 327	11-14 812 0012	273
96 554 874 80	16-14 009 0012	303
96 555 357 80	11-12 321 0035	375
96 566 364	11-14 821 0006	283
96 566 957 80	40-14 885 0008	270
96 582 279 80	40-14 885 0008	270
96 583 379 80	11-12 321 0034	376
96 584 207	11-14 899 0005	241
96 585 998	11-14 899 0032	244
96 585 998 80	11-14 899 0032	244
96 617 288 80	050 006 1090/E	330
96 631 010 80	050 006 1090/E	330
96 634 808 80	11-14 812 0005	291
96 639 808 80	11-16 050 0073	488
96 643 873 80	314 810 0009	256
96 648 938 80	11-14 810 0004	256
96 651 040 80	11-14 803 0005	276
96 662 439 80	11-16 050 0076	497

Ref. no.	MEYLE no.	Page
<b>Citroën</b>		
96 862 440 80	11-16 050 0075	489
96 866 908	40-14 498 0022	200
96 708 307 80	11-14 641 0022	622
9670830780	11-14 641 0025	583
96 712 145 80	40-14 885 0012	272
96 713 260 80	40-14 752 0003	649
96 74 725 580	40-12 321 0004	387
9674746280	11-14 615 0033	534
9674746380	11-14 615 0033	534
96 748 522 80	11-14 899 0024	250
96 749 432 80	11-14 812 0012	273
96 750 288 80	11-16 050 0102 11-16 610 0001	503, 533
96 750 318 80	11-16 050 0103 11-16 610 0001	503, 533
96 752 233 80	11-15 521 0041 11-15 521 0041/PD	79
96 752 809 80	11-14 236 0000	347
96 753 420 80	714 821 0001	281
96 753 795 80	714 812 0001	294
96 753 909 80	40-14 885 0011	272
96 756 809 80	714 860 0005	265
96 758 493 80	11-28 228 0005	355
96 758 744 80	050 006 1070	325
96 760 321 80	11-14 610 0037	518
96 76 035 280	11-14 610 0054	519
96 764 095 80	11-28 228 0005	355
96 769 949 80	11-14 036 0018	404
96 774 933 80	11-14 810 0001	288
96 775 614 80	11-14 498 0051	231
96 779 151 80	11-14 498 0051	231
96 787 920 80	11-12 319 0015/S	38
96 803 528 80	11-14 919 0009	398
96 803 530	11-14 919 0009	398
96 810 170 80	11-14 710 0019	564
96 811 616 80	11-14 223 0003	344
9681330980	11-14 641 0003	620
96 821 415 80	728 228 0003	355
9682256580	40-40 910 0023	9
96 826 036 80	11-12 319 0011 11-12 320 0011	33
9683733980	40-40 910 0026	10
96 837 389 80	11-14 641 0022	622
9683738980	11-14 641 0025	583
96 853 159 80	40-14 615 0001	534
96 87 459 780	11-12 319 0000	28

Ref. no.	MEYLE no.	Page
<b>Citroën</b>		
96 876 021 80	40-15 521 1001	53
96 887 250 80	11-14 810 0002	288
9730.AE	11-14 135 0001	233
97 500 799 80	11-16 020 4078	466
97 522 021	11-26 725 0007	599
97 535 002	11-51 902 1014	305
97 536 063	11-26 725 0007	599
98 00 035 980	11-14 899 0029	250
98 000 384 80	11-14 899 0026	251
98 000 385 80	11-14 899 0030	251
98 000 861 80	11-16 060 0001/HD 11-16 060 0026	553
98 000 975 80	11-12 321 0045	387
98 004 531 80	050 006 0965	316
9800479780	11-14 641 1003/S	584
9800480380	11-14 641 1003/S	584
98 005 489 80	11-26 623 0018	614
98 005 490 80	11-26 623 0019	614
98 007 176 80	40-40 910 0027	11
98 007 177 80	40-40 910 0027	11
98 007 772 80	11-14 223 0000	344
98 010 486 80	11-14 498 0039	195
9801049980	11-14 710 0029/HD	519
98 010 608 80	40-40 910 0028	12
98 010 614 80	40-40 910 0028	12
98 011 457 80	11-16 035 0000/HD	527
98 011 458 80	11-16 035 0001/HD	528
98 012 421 80	36-14 870 0000	15
98 012 805 80	11-14 036 0015	405
98 012 806 80	11-14 036 0014	405
98 013 885 80	11-14 498 0028	194
9801448180	11-12 320 0010 11-12 326 0010/PD	30-31
98 015 733 80	11-13 220 0020	363
98 016 112 80	11-14 498 0029	193
98 023 189 80	11-14 030 0024	421
98 023 486 80	11-12 321 0043	388
98 024 240 80	11-14 880 0009	252
98 030 195 80	11-14 498 0028	194
98 030 943 80	11-13 220 0027	368
98 032 864 80	11-16 050 0080/HD 11-16 610 0002	497, 531
98 032 865 80	11-16 050 0079/HD 11-16 610 0002	488, 531
98 032 997 80	11-14 880 0010	252
98 034 340 80	616 010 0015	474, 505-506

Ref. no.	MEYLE no.	Page
<b>Citroën</b>		
	616 050 0076/S 616 050 0077/S	
9803442480	11-13 220 0026	369
98 036 487 80	728 228 0003	355
98 037 361 80	11-14 752 0004	642
98 039 595 80	11-14 498 0028	194
98 039 596 80	11-14 498 0029	193
98 045 869 80	11-26 623 0012	595
98 045 870 80	11-26 623 0013	595
9804776380	11-14 641 0003/S	620
98 048 694 80	11-14 890 0000	298
98 049 474 80	11-16 060 0000/HD 11-16 060 0028	551-552
98 050 660 80	11-14 899 0028	251
98 050 665 80	11-14 899 0028	251
98 052 601 80	11-15 521 0046/PD	78
98 055 003 80	11-14 812 0005	291
98 055 199 80	11-14 641 0032	623
98 055 520 80	40-12 321 0003	388
98 056 073 80	11-16 050 0111/HD	480
98 056 074 80	11-16 050 0110/HD	504
9805734780	11-14 030 1001	426
9805961480	11-15 521 0041 11-15 521 0041/PD	79
98 060 831 80	40-26 725 0015	613
98 066 998 80	11-14 498 0051	231
98 069 071 80	11-16 060 0024/HD	560
98 071 300 80	11-16 060 0016/HD 11-16 060 0033	558
98 071 984 80	11-28 228 0011	356
98 072 594 80	40-26 725 0015	613
98 077 463 80	11-12 319 0010	30
9807784280	40-26 725 0010	602
98 078 418 80	314 885 0005	268
98 081 826 80	40-26 725 0015	613
98 081 827 80	40-26 725 0015	613
98 087 714 80	11-14 498 0036 11-14 498 0051	195, 231
9808838680	11-14 030 1001	426
98 088 678 80	714 322 0020	413
98 088 682 80	11-16 060 0001/HD 11-16 060 0026	553
98 090 457 80	11-16 060 0024/HD	560
98 09 088 180	11-14 860 0002	265
98 090 901 80	11-16 060 0041/HD	561
98 093 384 80	11-16 010 0017	473

Ref. no.	MEYLE no.	Page
<b>Citroën</b>		
98 095 283 80	11-14 498 0051	231
98 095 323 80	214 322 0011	412
98 097 132 80	40-26 623 0022	608
98 097 134 80	40-26 623 0022	608
98 097 210 80	11-12 330 0001/S 11-14 323 0003	1, 397
98 098 213 80	40-40 910 0029	11
98 101 593 80	11-16 060 0018/HD 11-16 060 0034	545-546
98 101 594 80	11-16 060 0017/HD 11-16 060 0035	546-547
98 106 837 80	40-26 623 0028	587
98 109 204 80	40-26 623 0028	587
98 111 764 80	11-14 498 0051	231
98 111 767 80	11-14 498 0051	231
98 113 705 80	11-14 641 0022 11-14 641 0025	583, 622
98 117 949 80	11-14 870 0006	14
98 120 285 80	11-14 236 0000	347
98 126 122 80	40-14 631 0003	433
98 139 088 80	11-12 321 0044	388
9813916080	11-14 641 0021	583
98 142 376 80	11-12 319 0015/S	38
98 151 067 80	612 320 0020 612 326 0020/PD	38-39
98 165 098 80	40-26 725 0017	613
98 165 101 80	40-26 725 0017	613
98 168 654 80	616 050 0076 616 050 0076/S	504-505
98 168 655 80	616 050 0077 616 050 0077/S	505-506
9817592480	11-14 641 1003/S	584
98 182 324 80	11-14 890 0000	298
98 186 575 80	11-16 010 0027 11-16 010 0030	474, 526
98 190 747 80	11-14 752 0009	642
98 194 179 80	11-16 050 0103	503
98 194 180 80	11-16 050 0102	503
98 194 181 80	11-16 010 0017 11-16 050 0103	473, 503
98 194 182 80	11-16 010 0017 11-16 050 0102	473, 503
98 198 332 80	050 006 1070	325
98 203 400 80	11-16 020 0041/HD	466
98 203 401 80	11-16 020 0042/HD	467
98 203 402 80	11-16 031 0035/HD	450

Ref. no.	MEYLE no.	Page
<b>Citroën</b>		
98 206 691 80	11-14 870 0001	13
9821040880	11-14 641 0003/S	620
98 215 018 80	11-12 320 0010 11-12 326 0010/PD	30-31
98 21 596 680	40-26 623 0029	613
98 315 470 80	11-16 060 0025	555
98 333 510 80	11-12 320 0017/S	39
98 345 990 80	11-16 010 0027 11-16 010 0030	474, 526
B000698180	40-14 800 0020	243
B0 007 701 80	30-14 610 0041 30-14 610 0042 30-16 010 0083/HD 30-16 050 0136/HD	469, 480, 508
B0 007 702 80	30-14 610 0041 30-14 610 0042 30-16 010 0083/HD 30-16 050 0135/HD	469, 479, 508
B0 009 754 80	30-12 319 0016 30-12 326 0016/PD	39-40
E117719	050 006 1190	343
E146155	11-12 319 0000	28
E147223	11-12 321 0032	372
E147224	11-12 321 0032	372
E147242	11-12 321 0014	384
E147299	11-12 321 0022	372
E147302	11-12 321 0024	381
E148068	11-14 323 0006	392
E149104	11-14 322 0001	410
E161003	014 020 1039	262
E169001	11-15 521 0042 11-15 521 0042/PD	71, 83
E169002	11-15 521 0032	82
E169003	11-15 521 0031 11-15 521 0031/PD	81
E169004	11-15 521 0012	77
E169007	11-15 521 0001	72
E169008	11-15 521 0006	80
E 169 010	40-15 521 1000	57
E169013	11-15 521 0015	80
E169015	215 521 0005	85
E169019	215 521 0018	60
E 169 020	11-15 521 0033 11-15 521 0033/PD	55-56
E169115	11-15 523 0010 11-15 523 0010/PD	76-77

Ref. no.	MEYLE no.	Page
<b>Citroën</b>		
E169141	11-15 521 0017 11-83 521 0017/PD	73-74
E 169 142	11-15 521 0018 11-83 521 0018/PD	41-42
E 169 143	40-15 523 1002	58
E169146	11-15 521 0035	54
E169151	215 521 0018	60
E 169 157	11-15 523 0009 11-15 523 0009/PD	67, 84
E169195	11-15 523 0041 11-15 523 4101	61-62
E 169 198	11-15 523 0008 11-15 523 0008/PD	59
E169247	215 523 0012	46
E169248	215 523 0006	46
E169256	11-15 521 0037	70
E169506	11-15 523 0041 11-15 523 4101	61-62
E169510	11-15 523 0041 11-15 523 4101	61-62
E169512	11-15 523 4102	61
E172027	025 216 3117/W	99
E172039	025 218 0119/W	125
E172050	025 230 4218/W	127
E172059	025 231 2419/W	98
E172073	025 231 2419/W	98
E 172 124	025 235 9919 025 235 9919/PD	101
E 172 125	025 236 0019 025 236 0019/PD	115-116
E 172 155	025 241 3317/W	115
E172193	025 201 6215	122
E172201	025 209 7311 025 209 7311/PD	102
E 172 204	025 209 6117 025 209 6117/PD	88-89
E 172 227	025 235 9919 025 235 9919/PD	101
E 172 229	025 232 7717/W	129
E 172 230	025 232 7318	121
E 172 231	025 233 0515	129
E 172 237	025 241 3317/W	115
E 172 240	025 241 3517	121
E172279	025 212 7517	124
E 172 282	025 234 0919	131
E 172 283	025 239 5917	114

Ref. no.	MEYLE no.	Page
<b>Citroën</b>		
E 172 284	025 236 0019 025 236 0019/PD	115-116
E 172 285	025 234 0719 025 234 0719/PD	130
E 172 286	025 241 5017	103
E 172 295	025 245 3818 025 245 3818/PD	103-104
E172301	025 244 6819-1/PD 025 244 6819/W1	91
E 172 302	025 244 6519	103
E 172 314	025 241 3317/W	115
E 172 315	025 236 0019 025 236 0019/PD	115-116
E172338	025 245 5719	135
E172354	025 236 0219/W	132
E172357	025 239 2120	114
E 172 359	025 235 8919	121
E172511	025 216 3117/W	99
E172513	025 218 2717	126
E172522	025 216 7419/W	125
E172532	025 231 2419/W	98
E172533	025 212 6717/W	118
E172536	025 231 2419/W	98
E 172 558	025 235 9919 025 235 9919/PD	101
E 172 559	025 236 0019 025 236 0019/PD	115-116
E 172 569	025 241 3317/W	115
E 172 590	025 235 9919 025 235 9919/PD	101
E 172 591	025 233 0515	129
E172592	025 202 6119/W	122
E268403	11-14 033 5016	631
E268406	11-14 650 0006	632
E268416	11-14 650 0007	625
E268418	11-14 750 0001	633
E268422	11-14 750 0001	633
E268425	11-14 750 0015	644
E268542	11-14 750 0025	634
E268570	11-14 650 0015	628
E268579	11-14 750 0028	634
E455005	11-16 050 0010/HD	486
E455006	11-16 050 0009/HD	495
E455009	40-16 050 0002/HD	482
E455010	40-16 050 0004/HD	490
E455021	11-16 050 0048/HD	487

Ref. no.	MEYLE no.	Page
<b>Citroën</b>		
E455022	11-16 050 0049/HD	496
E459704	40-16 010 0002	470
E459705	40-16 010 0002	470
E459706	11-16 010 0008 11-16 610 0004/HD	470, 532
E459707	11-16 010 0008 11-16 610 0004/HD	470, 532
E459713	11-16 060 0026	553
E459719	11-16 060 0040	548
E459720	11-16 060 5046/HD	548
YQ00153980	100 955 0010	14
ZF 099 388 68	16-14 533 0043 214 531 0012	141, 180



Short no.	MEYLE no.	Page
<b>Citroën</b>		
MAB0072	11-14 051 0001	562
MAB0076	11-14 710 0007	565
MAB0080	11-14 710 0013	562
MAB0081	11-14 710 0015	563
MAB0156	11-14 710 0017	562
MAB0157	11-14 710 0018	564
MAB0181	11-14 710 0024	563
MAB0182	11-14 710 0025	561
MAB0195	11-14 710 0019	564
MAB0203	32-14 710 0005	564
MAB0215	11-14 710 0005	563
MAB0222	11-14 710 0026	565
MAB0222	11-14 710 0026	565
MAF0083	11-12 014 4402	369
MAF0084	11-12 014 4409	370
MAF0085	11-12 014 4410	374
MAF0086	11-12 014 4419	382
MAF0087	11-12 014 4485	370
MAF0088	11-12 014 4486	387
MAF0089	11-12 321 0001	371
MAF0090	11-12 321 0002	374
MAF0091	11-12 321 0003	380
MAF0092	11-12 321 0004	371
MAF0093	11-12 321 0005	377
MAF0095	11-12 321 0007	375
MAF0096	11-12 321 0008	375
MAF0097	11-12 321 0009	383
MAF0098	11-12 321 0010	381
MAF0099	11-12 321 0011	378
MAF0100	11-12 321 0012	373
MAF0101	11-12 321 0013	377
MAF0102	11-12 321 0014	384
MAF0103	11-12 321 0015	384
MAF0104	11-12 321 0016	381
MAF0105	11-12 321 0017	371
MAF0106	11-12 321 0018	380
MAF0107	11-12 321 0019	379
MAF0108	11-12 321 0020	373
MAF0109	11-12 321 0021	385
MAF0110	11-12 321 0022	372
MAF0111	11-12 321 0023	376
MAF0112	11-12 321 0024	381
MAF0113	11-12 321 0025	385
MAF0115	11-12 321 0027	379
MAF0117	11-12 321 0029	382
MAF0118	11-12 321 0030	373

Short no.	MEYLE no.	Page
<b>Citroën</b>		
MAF0119	11-12 321 0031	378
MAF0120	11-12 321 0032	372
MAF0122	11-12 321 0034	376
MAF0123	11-12 321 0036	379
MAF0125	11-12 321 0038	382
MAF0128	11-12 321 0041	383
MAF0129	11-12 321 0042	376
MAF0132	112 129 0005	386
MAF0276	212 321 0020	378
MAF0277	212 321 0021	377
MAF0279	212 321 0023	385
MAF0334	30-12 321 0002	374
MAF0348	30-12 321 0016	386
MAF0447	32-12 321 0002	383
MAF0491	36-12 321 0005	370
MAF0545	40-12 321 0001	372
MAF0658	11-12 321 0035	375
MAF0679	40-12 321 0002	386
MAF0687	40-12 321 0003	388
MAF0688	40-12 321 0004	387
MAF0712	11-12 321 0043	388
MAF0725	11-12 321 0044	388
MAF0743	212 321 0028	389
MAF0752	11-12 321 0045	387
MAF0758	32-12 321 0012	389
MAR0015	11-16 030 0001	443
MAR0016	11-16 030 5749	450
MAR0018	11-16 030 7528	439
MAR0021	11-16 031 0006	444
MAR0022	11-16 031 0007	440
MAR0023	11-16 031 0008	446
MAR0024	11-16 031 0009	444
MAR0026	11-16 031 0015	444
MAR0028	11-16 031 0017	443
MAR0029	11-16 031 0019	445
MAR0030	11-16 031 0020	447
MAR0031	11-16 031 0021	447
MAR0032	11-16 031 0022	441
MAR0033	11-16 031 0023	440
MAR0034	11-16 031 0024	448
MAR0035	11-16 031 0025	446
MAR0036	11-16 031 0026	448
MAR0039	11-16 031 0030	441
MAR0040	11-16 031 0031	451
MAR0109	16-16 031 0005	448
MAR0133	216 031 0004	443



Short no.	MEYLE no.	Page
<b>Citroën</b>		
MAR0134	216 031 0005	445
MAR0146	216 031 0017	449
MAR0374	11-16 031 0032	439
MAR0476HD	40-16 031 0000/HD	446
MAR0480HD	40-16 031 0002/HD	440
MAR0486HD	11-16 030 0008/HD	438
MAR0487HD	11-16 031 0011/HD	445
MAR0488HD	11-16 031 0012/HD	441
MAR0489HD	11-16 031 0013/HD	447
MAR0490HD	11-16 031 0014/HD	450
MAR0491HD	11-16 031 0034/HD	449
MAR0509HD	216 031 0030/HD	449
MAR0524HD	40-16 031 0001/HD	439
MAR0565HD	11-16 031 0035/HD	450
MAR0584HD	11-16 031 0037/HD	442
MAR0586	11-16 031 0036	442
MAR0655	11-16 031 0039	442
MAS0072	11-14 800 0002	246
MAS0073	11-14 899 0000	236
MAS0075	11-14 899 0003	241
MAS0076	11-14 899 0004	241
MAS0077	11-14 899 0005	241
MAS0081	11-14 899 0010	236
MAS0086	11-14 899 0016	236
MAS0089	11-14 899 0019	246
MAS0190	40-14 800 0001	238
MAS0191	40-14 800 0002	240
MAS0192	40-14 800 0003	240
MAS0241	11-14 800 0003	237
MAS0246	40-14 800 0011	237
MAS0260	11-14 800 0004	235
MAS0261	11-14 800 0005	235
MAS0263	214 800 0017	238
MAS0265	40-14 800 0007	247
MAS0266	40-14 800 0012	237
MAS0267	40-14 800 0013	240
MAS0268	40-14 800 0014	239
MAS0269	40-14 800 0015	239
MAS0278	40-14 800 0008	247
MAS0279	40-14 800 0016	239
MAS0281	11-14 800 0009	245
MAS0289	40-14 800 0023	249
MAS0315	11-14 800 0007	243
MAS0316	11-14 800 0012	248
MAS0318	40-14 800 0019	243
MAS0319	40-14 800 0020	243

Short no.	MEYLE no.	Page
<b>Citroën</b>		
MAS0320	40-14 800 0022	246
MAS0321	40-14 800 0025	244
MAS0327	11-14 800 0008	245
MAS0328	11-14 800 0011	249
MAS0351	40-14 800 0021	245
MAS0352	40-14 800 0024	244
MAS0356	40-14 800 0026	248
MAS0357	40-14 800 0027	248
MAS0388	11-14 800 0016	235
MAS0400	40-14 800 0028	252
MAS0510	11-14 899 0022	249
MAS0569	40-14 899 0002	242
MAS0595	11-14 899 0024	250
MAS0596	11-14 899 0023	238
MAS0600	11-14 899 0025	250
MAS0609	11-14 899 0026	251
MAS0626	11-14 899 0029	250
MAS0627	11-14 899 0030	251
MAS0628	11-14 899 0031	242
MAS0629	11-14 899 0032	244
MAS0636	11-14 899 0028	251
MAS0637	11-14 899 0033	247
MAS0646	11-14 899 0034	242
MAX0148	11-16 010 0030	526
MAX0150	11-16 010 0031	524
MAX0151	11-16 010 0032	525
MAX0160	11-12 330 0000/SK	1
MAX0179	11-12 330 0001/S	1
MBD0132	11-15 521 0001	72
MBD0135	11-15 521 0006	80
MBD0136	11-15 521 0007	54
MBD0139	11-15 521 0012	77
MBD0141	11-15 521 0015	80
MBD0143	11-15 521 0017	73
MBD0144	11-15 521 0018	41
MBD0151	11-15 521 0028	63
MBD0160	11-15 523 0038	84
MBD0161	11-15 523 0041	61
MBD0371	215 521 0003	44
MBD0372	215 521 0004	42
MBD0373	215 521 0005	85
MBD0383	215 521 0018	60
MBD0384	215 521 0019	50
MBD0385	215 521 0021	45
MBD0390	215 521 0029	43
MBD0394	215 521 0033	85

Short no.	MEYLE no.	Page
<b>Citroën</b>		
MBD0405	215 523 0004	86
MBD0406	215 523 0006	46
MBD0406PD	215 523 0006/PD	47
MBD0408	215 523 0012	46
MBD0416	215 523 0027	86
MBD0417	215 523 0028	62
MBD0418	215 523 0029	87
MBD0418PD	215 523 0029/PD	60
MBD1088	40-15 521 1000	57
MBD1089	40-15 521 1001	53
MBD1091	40-15 521 1004	87
MBD1092	40-15 523 1001	78
MBD1093	40-15 523 1002	58
MBD1702	11-15 521 0030	74
MBD1702PD	11-15 521 0030/PD	75
MBD1752	11-15 521 0031	81
MBD1752PD	11-15 521 0031/PD	81
MBD1753	11-15 521 0032	82
MBD1754	11-15 521 0033	55
MBD1754PD	11-15 521 0033/PD	56
MBD1755PD	11-15 521 0034/PD	66
MBD1756	11-15 521 0035	54
MBD1756PD	11-15 521 0035/PD	55
MBD1757	11-15 521 0036	56
MBD1757PD	11-15 521 0036/PD	57
MBD1758	11-15 521 0037	70
MBD1758PD	11-15 521 0037/PD	70
MBD1759	11-15 521 0038	82
MBD1759PD	11-15 521 0038/PD	83
MBD1760	11-15 521 0042	83
MBD1760PD	11-15 521 0042/PD	71
MBD1761	11-15 523 0008	59
MBD1761PD	11-15 523 0008/PD	59
MBD1762	11-15 523 0009	84
MBD1762PD	11-15 523 0009/PD	67
MBD1763	11-15 523 0010	76
MBD1763PD	11-15 523 0010/PD	77
MBD1764	11-15 523 0011	71
MBD1764PD	11-15 523 0011/PD	76
MBD1765PD	11-83 521 0017/PD	74
MBD1766PD	11-83 521 0018/PD	42
MBD1841	215 521 0002	68
MBD1841PD	215 521 0002/PD	68
MBD1842	215 521 0024	51
MBD1842PD	215 521 0024/PD	51
MBD1944	32-15 521 0025	64

Short no.	MEYLE no.	Page
<b>Citroën</b>		
MBD1944PD	32-15 521 0025/PD	65
MBD1949PD	32-15 523 0015/PD	50
MBD1951	32-15 523 0017	65
MBD1951PD	32-15 523 0017/PD	66
MBD1954PD	32-15 523 0020/PD	41
MBD2074	11-15 523 4008	63
MBD2077PD	283 521 0004/PD	43
MBD2093	11-15 523 0014	47
MBD2093PD	11-15 523 0014/PD	48
MBD2107	11-15 521 0039	69
MBD2107PD	11-15 521 0039/PD	69
MBD2108PD	11-15 521 0040/PD	75
MBD2109	11-15 521 0041	79
MBD2109PD	11-15 521 0041/PD	79
MBD2110PD	11-15 523 0012/PD	73
MBD2112	11-15 523 0015	48
MBD2112PD	11-15 523 0015/PD	49
MBD2163PD	11-83 521 0032/PD	58
MBD2164PD	283 521 0003/PD	44
MBD2165PD	283 521 0021/PD	45
MBD2168	11-15 523 4101	62
MBD2169	11-15 523 4102	61
MBD2170	11-15 523 4103	67
MBD2171	11-15 523 4104	64
MBD2272PD	11-15 521 0045/PD	72
MBD2277PD	32-15 521 0030/PD	49
MBD2304PD	11-15 521 0046/PD	78
MBD2306PD	11-15 523 0046/PD	52
MBD2307PD	11-15 523 0047/PD	52
MBD2308	11-15 523 4105	53
MBH0169	11-14 525 0001	167
MBH0170	11-14 525 0002	167
MBH0171	11-14 525 0006	172
MBH0172	11-14 525 0007	173
MBH0173	11-14 525 0008	173
MBH0174	11-14 525 0009	173
MBH0175	11-14 525 0010	175
MBH0176	11-14 525 0011	175
MBH0180	11-14 525 0016	167
MBH0181	11-14 525 0017	168
MBH0184	11-14 525 0020	172
MBH0188	11-14 525 0024	168
MBH0189	11-14 525 0025	168
MBH0190	11-14 525 0026	169
MBH0191	11-14 525 0027	169
MBH0192	11-14 525 0028	171

Short no.	MEYLE no.	Page
<b>Citroën</b>		
MBH0193	11-14 525 0029	172
MBH0194	11-14 525 0030	175
MBH0195	11-14 525 0033	169
MBH0197	11-14 525 0036	174
MBH0198	11-14 525 0037	170
MBH0199	11-14 525 0038	171
MBH0200	11-14 525 0039	171
MBH0201	11-14 525 0040	179
MBH0202	11-14 525 0041	178
MBH0204	11-14 525 0045	178
MBH0207	11-14 525 0049	176
MBH0208	11-14 525 0050	177
MBH0210	11-14 525 0053	174
MBH0211	11-14 525 0054	174
MBH0212	11-14 525 0055	176
MBH0213	11-14 525 0056	176
MBH0231	16-14 525 0002	170
MBH0234	16-14 525 0005	179
MBH0284	214 525 0033	178
MBH0286	214 525 0035	177
MBH0290	214 525 0041	177
MBJ0029	11-16 010 0000	471
MBJ0030	11-16 010 0004	468
MBJ0031HD	11-16 010 0005/HD	470
MBJ0033	11-16 010 0008	470
MBJ0034	11-16 010 0011	471
MBJ0035	11-16 010 0013	472
MBJ0036	11-16 010 0014	472
MBJ0037	11-16 010 0017	473
MBJ0038	11-16 010 0018	472
MBJ0040	11-16 010 3347	468
MBJ0041	11-16 010 3356	474
MBJ0043HD	11-16 010 4087/HD	473
MBJ0046	11-16 050 0035	468
MBJ0198	32-16 010 0025	469
MBJ0248	40-16 010 0002	470
MBJ0249HD	40-16 010 0004/HD	471
MBJ0272	616 010 0006	469
MBJ0439	11-16 010 0025	473
MBJ0465	616 010 0015	474
MBJ0467	11-16 010 0027	474
MBJ0498HD	30-16 010 0083/HD	469
MBK0109	11-14 495 0000	190
MBK0110	11-14 495 0001	191
MBK0114	11-14 495 0006	192
MBK0115	11-14 495 0007	191

Short no.	MEYLE no.	Page
<b>Citroën</b>		
MBK0118	11-14 495 0012	190
MBK0208	40-14 495 0001	191
MBK0211	40-14 495 0004	189
MBK0212	40-14 495 0005	189
MBK0213	40-14 495 0006	193
MBK0216	40-14 495 0009	189
MBK0217	40-14 495 0010	190
MBK0223	40-14 495 0018	192
MBK0224	40-14 495 0019	192
MBK0284	16-14 495 0021	188
MBK0285	214 495 0021	188
MBL0003	029 300 1210	16
MBL0004	029 300 1211	17
MBL0014	029 350 1410	18
MBL0021	029 400 1600	19
MBL0022	029 400 1610	19
MBL0024	029 400 1612	20
MBL0026	029 425 1700	20
MBL0027	029 450 1800	20
MBL0028	029 475 1900	21
MBL0029	029 500 2000	21
MBL0030	029 530 2100	21
MBL0032	029 550 2200	22
MBL0034	029 600 2400	22
MBL0036	029 650 2600	23
MBL0039	029 700 2800	23
MBL0041	029 750 3000	24
MBL0042	029 800 3200	25
MBL0047	029 300 1216	17
MBL0052	029 350 1417	18
MBL0055	029 350 1416	18
MBL0057	029 725 2900	24
MBL0058	029 625 2500	23
MBL0062	029 290 1111	16
MBL0080	029 300 1217	17
MBL0083	029 650 4750	16
MBP0008	025 201 6215	122
MBP0014	025 202 6119/W	122
MBP0018	025 203 8915	96
MBP0049	025 209 0518/W	97
MBP0050	025 209 0618/W	119
MBP0057	025 209 6117	88
MBP0057PD	025 209 6117/PD	89
MBP0059	025 209 7311	102
MBP0059PD	025 209 7311/PD	102
MBP0072	025 210 8017/W	123

Short no.	MEYLE no.	Page
<b>Citroën</b>		
MBP0093	025 212 0519/W	120
MBP0100	025 212 6717/W	118
MBP0102	025 212 7517	124
MBP0116	025 213 6315/W	124
MBP0126	025 214 1418/W	120
MBP0147	025 215 0417/W	118
MBP0166	025 216 3117/W	99
MBP0179	025 216 7419/W	125
MBP0195	025 217 9719/W	109
MBP0196	025 217 9919/W	110
MBP0197	025 218 0119/W	125
MBP0199	025 218 2717	126
MBP0240	025 219 8018	126
MBP0240PD	025 219 8018/PD	100
MBP0248	025 230 4218/W	127
MBP0266	025 231 2419/W	98
MBP0269	025 231 3518/W	128
MBP0306	025 232 7318	121
MBP0307	025 232 7617/W	128
MBP0308	025 232 7717/W	129
MBP0318	025 233 0515	129
MBP0325	025 233 4619	129
MBP0334	025 233 9617	100
MBP0337	025 234 0719	130
MBP0337PD	025 234 0719/PD	130
MBP0338	025 234 0919	131
MBP0364	025 235 0715	131
MBP0389	025 235 8216	108
MBP0389PD	025 235 8216/PD	108
MBP0390	025 235 8416/W	89
MBP0393	025 235 8919	121
MBP0398	025 235 9919	101
MBP0398PD	025 235 9919/PD	101
MBP0399	025 236 0019	115
MBP0399PD	025 236 0019/PD	116
MBP0401	025 236 0219/W	132
MBP0402	025 236 0319/W	110
MBP0422	025 237 0517/W	133
MBP0423	025 237 0617/W	117
MBP0472	025 239 1719/W	134
MBP0473	025 239 1919/W	111
MBP0474	025 239 2120	114
MBP0474PD	025 239 2120/PD	114
MBP0484	025 239 5917	114
MBP0528	025 241 3317/W	115
MBP0530	025 241 3517	121

Short no.	MEYLE no.	Page
<b>Citroën</b>		
MBP0531	025 241 3716	105
MBP0531PD	025 241 3716/PD	106
MBP0534	025 241 5017	103
MBP0572	025 243 3218	134
MBP0572PD	025 243 3218/PD	105
MBP0596	025 244 6519	103
MBP0596PD	025 244 6519/PD	135
MBP0597	025 244 6619/W1	112
MBP0598	025 244 6619/W2	113
MBP0599	025 244 6819/W1	91
MBP0600	025 244 6819/W2	93
MBP0618	025 245 3818	103
MBP0618PD	025 245 3818/PD	104
MBP0620	025 245 4016	104
MBP0625	025 245 5719	135
MBP0632	025 245 7816	136
MBP0635	025 245 9518/W	136
MBP0664	025 247 6516/W	107
MBP0668	025 248 3919/W	137
MBP0675	025 248 8318	88
MBP0678	025 249 2217	107
MBP0689	025 250 6917	90
MBP0690	025 250 9419	106
MBP0690PD	025 250 9419/PD	106
MBP0697	025 252 2018	116
MBP0758PD	025 209 0518/PD	97
MBP0759PD	025 209 0618/PD	119
MBP0761PD	025 210 8017/PD	123
MBP0762PD	025 212 6717/PD	117
MBP0769PD	025 216 3117/PD	99
MBP0779PD	025 231 2419/PD	98
MBP0807PD	025 239 1719/PD	134
MBP0813PD	025 244 6819-1/PD	91
MBP0822PD	025 244 6819-2/PD	92
MBP1568	025 213 8115	116
MBP1578PD	025 213 6315/PD	124
MBP1583PD	025 230 4218/PD	127
MBP1585PD	025 235 8416/PD	131
MBP1587PD	025 237 0517/PD	133
MBP1664PD	025 217 9719/PD	108
MBP1665PD	025 217 9919/PD	109
MBP1666PD	025 236 0219/PD	132
MBP1667PD	025 236 0319/PD	110
MBP1668PD	025 239 1919/PD	111
MBP1669PD	025 244 6619-1/PD	112
MBP1670PD	025 244 6619-2/PD	113



Short no.	MEYLE no.	Page
<b>Citroën</b>		
MBP1706	025 252 5118	90
MBP1711	025 220 4119	94
MBP1711PD	025 220 4119/PD	94
MBP1727	025 256 8814	90
MBP1785	025 225 8818	95
MBP1785PD	025 225 8818/PD	95
MBP1786	025 225 9417	93
MBP1876	025 258 2717	137
MBP1878	025 258 3317	92
MBP1879	025 258 3417	95
MBP1880	025 258 3617	137
MBP1881	025 258 3917	138
MBP1888PD	025 259 8721/PD	93
MBP1894PD	025 207 6417/PD	96
MBS0006	11-14 533 0000	150
MBS0007	11-14 533 0001	157
MBS0008	11-14 533 0003	155
MBS0009	11-14 533 0003/S	156
MBS0010	11-14 533 0004	151
MBS0012	11-14 533 0017	145
MBS0013	11-14 533 0018	159
MBS0014	11-14 533 0019	153
MBS0016	11-14 533 0021	161
MBS0017	11-14 533 0021/K	157
MBS0019	11-14 533 0023/K	153
MBS0030	16-14 533 0000	149
MBS0039	16-14 533 0012	163
MBS0053	214 533 0008	158
MBS0055	214 533 0010	162
MBS0061	214 533 0017/K	147
MBS0063	214 533 0020	147
MBS0064	214 533 0020/K	146
MBS0065	214 533 0021	146
MBS0102	32-14 533 0002	166
MBS0134	36-14 533 0017	148
MBS0150	40-14 533 0001	154
MBS0151	40-14 533 0002	148
MBS0152	40-14 533 0003	161
MBS0153	40-14 533 0004/K	149
MBS0154	40-14 533 0005/K	165
MBS0155	40-14 533 0019/K	155
MBS0262	11-14 533 0000/K	150
MBS0263	11-14 533 0003/K	155
MBS0264	11-14 533 0004/K	152
MBS0266	11-14 533 0018/K	160
MBS0271	16-14 533 0012/K	163

Short no.	MEYLE no.	Page
<b>Citroën</b>		
MBS0275	214 533 0008/K	159
MBS0276	214 533 0010/K	162
MBS0296	11-14 533 0036	160
MBS0308	11-14 533 0024	158
MBS0312	11-14 533 0026	151
MBS0313	11-14 533 0027	145
MBS0314	11-14 533 0028	153
MBS0318	11-14 533 0032	156
MBS0319	11-14 533 0033	152
MBS0322	11-14 533 0039	144
MBS0326	16-14 533 0020	166
MBS0333	214 533 0026	164
MBS0334	214 533 0027	159
MBS0337	214 533 0030	143
MBS0340	214 533 0033	142
MBS0343	40-14 533 0006	142
MBS0344	40-14 533 0007	154
MBS0364	36-14 533 0017/K	149
MBS0367	11-14 533 0041/K	161
MBS0369	16-14 533 0048/K	165
MBS0371	214 533 0047/K	147
MBS0375	11-14 533 0002/K	145
MBS0380	16-14 533 0039/K	144
MBS0382	16-14 533 0042/K	148
MBS0389	16-14 533 0043	141
MBS0399	214 533 0048	164
MBS0400	11-14 533 0040	165
MBS0403	214 533 0037	162
MBS0406	214 533 0049	143
MBT0094	11-14 903 1002	301
MBT0109	11-14 903 1003	301
MBX0010	014 698 0006	138
MBX0011	014 698 0006/S	139
MBX0147	100 611 0034	179
MCA0080HD	11-16 050 0009/HD	495
MCA0081HD	11-16 050 0010/HD	486
MCA0082	11-16 050 0013	493
MCA0083	11-16 050 0014	491
MCA0087	11-16 050 0019	482
MCA0088	11-16 050 0020	491
MCA0089	11-16 050 0023	484
MCA0094	11-16 050 0030	506
MCA0095	11-16 050 0031	507
MCA0096	11-16 050 0032	483
MCA0097	11-16 050 0033	492
MCA0098HD	11-16 050 0036/HD	502

Short no.	MEYLE no.	Page
<b>Citroën</b>		
MCA0099HD	11-16 050 0037/HD	502
MCA0100	11-16 050 0038	475
MCA0101	11-16 050 0039	475
MCA0102	11-16 050 0040	484
MCA0103	11-16 050 0041	492
MCA0104	11-16 050 0047	483
MCA0105HD	11-16 050 0048/HD	487
MCA0106HD	11-16 050 0049/HD	496
MCA0107	11-16 050 0052	476
MCA0108	11-16 050 0053	476
MCA0109	11-16 050 0063	481
MCA0110	11-16 050 0064	481
MCA0111	11-16 050 0065	494
MCA0112	11-16 050 0066	486
MCA0113	11-16 050 0067	494
MCA0114	11-16 050 0068	485
MCA0115	11-16 050 0073	488
MCA0116	11-16 050 0074	496
MCA0117	11-16 050 0075	489
MCA0118	11-16 050 0076	497
MCA0121	11-16 050 0083	478
MCA0122	11-16 050 0084	477
MCA0125	11-16 050 3198	500
MCA0126	11-16 050 3199	500
MCA0127	11-16 050 6979	501
MCA0128	11-16 050 6980	501
MCA0640HD	40-16 050 0002/HD	482
MCA0641HD	40-16 050 0004/HD	490
MCA0700	616 050 0028	498
MCA0701	616 050 0029	490
MCA0784HD	11-16 050 0079/HD	488
MCA0785HD	11-16 050 0080/HD	497
MCA0786HD	11-16 050 0081/HD	479
MCA0787HD	11-16 050 0082/HD	478
MCA0794	11-16 050 0050	485
MCA0795	11-16 050 0051	493
MCA0809HD	11-16 050 0071/HD	495
MCA0810HD	11-16 050 0072/HD	487
MCA1174	11-16 050 0102	503
MCA1175	11-16 050 0103	503
MCA1222	11-16 050 0106	499
MCA1223	11-16 050 0107	499
MCA1234HD	11-16 050 0110/HD	504
MCA1235HD	11-16 050 0111/HD	480
MCA1332	32-16 050 0087	477
MCA1522	616 050 0076	504

Short no.	MEYLE no.	Page
<b>Citroën</b>		
MCA1523	616 050 0077	505
MCA1528HD	30-16 050 0135/HD	479
MCA1529HD	30-16 050 0136/HD	480
MCA1530	616 050 0076/S	505
MCA1531	616 050 0077/S	506
MCA1540HD	32-16 050 0092/HD	498
MCA1541HD	32-16 050 0093/HD	489
MCB0113	11-14 035 2320	511
MCB0118	11-14 352 0005	517
MCB0121	11-14 352 0010	514
MCB0122	11-14 610 0001	513
MCB0123	11-14 610 0009	513
MCB0124	11-14 610 0010	513
MCB0125	11-14 610 0011	512
MCB0126HD	11-14 610 0013/HD	512
MCB0127HD	11-14 610 0015/HD	518
MCB0128HD	11-14 610 0016/HD	512
MCB0129	11-14 610 0017	511
MCB0130	11-14 610 0018	514
MCB0131	11-14 610 0020	515
MCB0132	11-14 610 0021	515
MCB0133	11-14 610 0025	509
MCB0134	11-14 610 0026	509
MCB0135	11-14 610 0030	515
MCB0136	11-14 610 0031	514
MCB0156	16-14 610 0009	518
MCB0234HD	32-14 610 0000/HD	509
MCB0235	32-14 610 0005	510
MCB0309	614 610 0007	510
MCB0310	614 610 0008	511
MCB0349	11-14 610 0043	516
MCB0403	11-14 710 0020	517
MCB0404	11-14 710 0022	517
MCB0436	11-14 610 0037	518
MCB0459	11-14 610 0054	519
MCB0463HD	11-14 610 0055/HD	516
MCB0522HD	11-14 710 0029/HD	519
MCB0523	32-14 710 0007	507
MCB0557	30-14 610 0041	508
MCB0558	30-14 610 0042	508
MCF0054	11-12 319 0000	28
MCF0059	11-12 319 0006/S	29
MCF0060	11-12 319 0009	36
MCF0061	11-12 319 0010	30
MCF0062	11-12 319 0011	33
MCF0063	11-12 319 0012	31

Short no.	MEYLE no.	Page
<b>Citroën</b>		
MCF0065	11-12 319 0014	36
MCF0066	11-12 320 0000	28
MCF0070	11-12 320 0008/S	28
MCF0071	11-12 320 0010	30
MCF0072	11-12 320 0011	33
MCF0073	11-12 320 0012	32
MCF0074	11-12 320 0014	25
MCF0167	212 319 0004	27
MCF0172	212 319 0012	37
MCF0180	212 320 0012	34
MCF0266	32-12 319 0002	32
MCF0271	32-12 320 0002	37
MCF0353	40-12 319 0000	26
MCF0354	40-12 319 0001	36
MCF0355	40-12 319 0003	32
MCF0356	40-12 319 0004	27
MCF0358	40-12 319 0006	26
MCF0361	40-12 320 0002	27
MCF0362	40-12 320 0003	26
MCF0397	612 319 0016	35
MCF0410	612 320 0016	33
MCF0450	11-12 319 0015/S	38
MCF0490	30-12 319 0016	39
MCF0500	11-12 324 0014	40
MCF0514	612 324 0016	34
MCF0517	612 320 0020	38
MCF0543PD	11-12 326 0008/PD	29
MCF0544PD	11-12 326 0010/PD	31
MCF0545PD	11-12 326 0014/PD	25
MCF0559PD	212 326 0012/PD	35
MCF0562PD	30-12 326 0016/PD	40
MCF0569PD	32-12 326 0002/PD	37
MCF0574PD	612 326 0016/PD	34
MCF0587	11-12 320 0017/S	39
MCF0602PD	612 326 0020/PD	39
MCM0022	11-14 610 0004	523
MCM0023	11-14 610 0005	523
MCM0024	11-14 610 0006	523
MCM0025HD	11-14 610 0012/HD	522
MCM0029	11-14 610 0027	524
MCM0031	11-14 610 0034	520
MCM0032	11-14 610 0038	519
MCM0033	11-14 610 0039	522
MCM0034	11-14 610 0040	521
MCM0035	11-14 610 0041	521
MCM0042	214 610 0000	520

Short no.	MEYLE no.	Page
<b>Citroën</b>		
MCM0049	214 610 0013	520
MCM0050	214 610 0014	522
MCM0116	11-14 610 0033	524
MCR0020	11-14 610 0023	533
MCR0064	11-16 610 0009	530
MCR0065	11-16 610 0010	530
MCR0083	616 610 0005	532
MCR0089	11-16 610 0001	533
MCR0090	11-16 610 0002	531
MCR0092HD	11-16 610 0004/HD	532
MCR0093	11-16 610 0005	529
MCR0094	11-16 610 0006	531
MCR0117HD	40-16 610 0000/HD	529
MCS0320	40-14 639 0000	570
MCS0321	40-14 639 0001	568
MCS0322	40-14 639 0002	569
MCS0324	40-14 639 0004	573
MCS0325	40-14 639 0005	572
MCS0326	40-14 639 0006	569
MCS0327	40-14 639 0007	571
MCS0328	40-14 639 0008	571
MCS0329	40-14 639 0009	569
MCS0332	40-14 639 0012	568
MCS0333	40-14 639 0013	570
MCS0335	40-14 639 0015	572
MCS0336	40-14 639 0016	573
MCS0337	40-14 639 0017	568
MCS0338	40-14 639 0018	571
MCS0339	40-14 639 0019	573
MCS0340	40-14 639 0020	572
MCS0343	40-14 739 0000	570
MCS0344	40-14 739 0001	574
MCS0345	40-14 739 0002	574
MCV0088	11-14 498 0012	224
MCV0089	11-14 498 0013	219
MCV0092	11-14 498 0016	220
MCV0093	11-14 498 0017	214
MCV0094	11-14 498 0018	225
MCV0096	11-14 498 0020	227
MCV0098	11-14 498 0024	217
MCV0127	214 498 0006	223
MCV0130	214 498 0012	229
MCV0131	214 498 0013	230
MCV0132	214 498 0014	218
MCV0146	214 498 0032	229
MCV0150	214 498 0037	232



Short no.	MEYLE no.	Page
<b>Citroën</b>		
MCV0187	30-14 498 0021	219
MCV0304	40-14 498 0000	228
MCV0305	40-14 498 0001	228
MCV0306	40-14 498 0002	228
MCV0307	40-14 498 0003	230
MCV0308	40-14 498 0005	230
MCV0311	40-14 498 0009	225
MCV0312	40-14 498 0010	231
MCV0313	40-14 498 0023	225
MCV0314	40-14 498 0024	217
MCV0315	40-14 498 0025	224
MCV0316	40-14 498 0026	218
MCV0317	40-14 498 0027	215
MCV0417	40-14 498 0068	215
MCV0441	214 498 0074	222
MCV0442	214 498 0079	217
MCV0447	40-14 498 0045	222
MCV0448	40-14 498 0046	223
MCV0449	40-14 498 0048	220
MCV0451	40-14 498 0050	215
MCV0452	40-14 498 0051	227
MCV0455	40-14 498 0058	223
MCV0460	40-14 498 0065	227
MCV0465	40-14 498 0082	216
MCV0467	40-14 498 0087	216
MCV0481	214 498 0067	220
MCV0482	214 498 0070	221
MCV0483	214 498 0071	226
MCV0484	214 498 0080	219
MCV0485	214 498 0082	232
MCV0498	11-14 498 0052	221
MCV0499	11-14 498 0051	231
MCV0503	11-14 498 0053	226
MCX0185	11-14 615 0013/S	544
MCX0186	11-14 710 0001	567
MCX0188	11-14 899 0020	625
MCX0189	11-16 010 0019	525
MCX0191	11-16 060 0006/S	545
MCX0301	40-14 641 0002	581
MCX0322	614 643 0000	580
MCX0428	11-16 010 0018/S	525
MCX0470	40-14 641 0009	582
MCX0568	11-14 641 0030	581
MCX0569	11-14 641 1001/S	582
MCX0570	11-14 641 1002/S	580
MCX0571	11-14 641 0031	581

Short no.	MEYLE no.	Page
<b>Citroën</b>		
MCX0572	11-14 641 0025	583
MCX0607	11-14 641 0021	583
MCX0609	214 615 0014	544
MCX0621	11-14 615 0036/S	544
MCX0656	11-14 641 1003/S	584
MCX0664	40-14 641 0012	583
MDR0004	11-15 523 0003	139
MDR0005	11-15 523 0005	141
MDR0006	11-15 523 0030	140
MDR0007	11-15 523 0031	140
MDS0019	11-14 498 0009	210
MDS0020	11-14 498 0010	196
MDS0039	40-14 498 0011	201
MDS0040	40-14 498 0012	209
MDS0041	40-14 498 0013	207
MDS0042	40-14 498 0015	201
MDS0043	40-14 498 0016	198
MDS0044	40-14 498 0017	201
MDS0045	40-14 498 0018	204
MDS0046	40-14 498 0019	197
MDS0047	40-14 498 0020	210
MDS0048	40-14 498 0021	212
MDS0049	40-14 498 0022	200
MDS0122	214 498 0059	212
MDS0130	40-14 498 0028	205
MDS0131	40-14 498 0029	209
MDS0132	40-14 498 0030	208
MDS0133	40-14 498 0031	206
MDS0134	40-14 498 0032	211
MDS0135	40-14 498 0033	206
MDS0136	40-14 498 0034	197
MDS0137	40-14 498 0035	208
MDS0138	40-14 498 0036	205
MDS0139	40-14 498 0037	202
MDS0140	40-14 498 0038	195
MDS0141	40-14 498 0039	207
MDS0142	40-14 498 0040	197
MDS0143	40-14 498 0041	210
MDS0144	40-14 498 0042	211
MDS0145	40-14 498 0043	202
MDS0146	40-14 498 0044	213
MDS0168	214 498 0078	200
MDS0171	40-14 498 0074	213
MDS0172	40-14 498 0075	199
MDS0173	40-14 498 0076	199
MDS0174	40-14 498 0077	203



Short no.	MEYLE no.	Page
<b>Citroën</b>		
MDS0175	40-14 498 0078	196
MDS0176	40-14 498 0079	198
MDS0183	214 498 0063	203
MDS0184	214 498 0064	194
MDS0206	11-14 498 0028	194
MDS0213	11-14 498 0029	193
MDS0231	11-14 498 0033	213
MDS0235	11-14 498 0038	214
MDS0239	11-14 498 0036	195
MDS0241	11-14 498 0037	204
MDS0243	11-14 498 0030	203
MDS0250	11-14 498 0039	195
MEM0249	11-14 030 0007	424
MEM0250	11-14 030 0014	424
MEM0251	11-14 030 0017	416
MEM0252	11-14 180 0001	419
MEM0254	11-14 180 0004	419
MEM0257	11-14 184 0005	423
MEM0260	11-14 184 0009	425
MEM0264	11-14 184 0015	422
MEM0271	11-14 184 0024	421
MEM0272	11-14 184 0025	423
MEM0274	11-14 184 0030	415
MEM0365	214 030 0029	421
MEM0366	214 030 0030	425
MEM0367	214 030 0034	425
MEM0451	40-14 030 0001	420
MEM0452	40-14 030 0002	420
MEM0453	40-14 030 0003	415
MEM0455	40-14 030 0005	423
MEM0616	214 030 0004	419
MEM0632	11-14 030 0015	414
MEM0633	214 030 0032	414
MEM0634	214 030 0033	415
MEM0635	214 030 0035	426
MEM0748	11-14 030 0028	414
MEM0749	11-14 030 0029	418
MEM0758	11-14 184 1013	422
MEM0831	214 030 0070	418
MEM0837	11-14 184 0002	424
MEM0865HD	214 030 0080/HD	416
MEM0949	11-14 030 0086	416
MEM0955	11-14 030 0030	417
MEM0956	214 030 0071	426
MEM0965	11-14 030 0019	417
MEM0967	11-14 030 0031	422

Short no.	MEYLE no.	Page
<b>Citroën</b>		
MEM0969	11-14 030 1001	426
MEM0998	11-14 030 0024	421
MEM1003	11-14 030 0184	417
MET0115	11-14 223 0000	344
MET0132	11-14 223 0003	344
MET0135	11-14 223 0002	344
MEX0196	100 830 0014	298
MEX0382	314 136 2102	280
MEX0417	40-14 800 0000	279
MEX0438	614 123 0001	299
MEX0451	614 899 0017	291
MEX0453	614 899 0038	280
MEX0482	40-14 810 0000	278
MEX0570	40-14 899 0001	299
MEX0613	11-14 890 0000	298
MEX0653	11-14 890 0002	297
MEX0657	30-14 890 0000	297
MEX0660	11-14 890 0001	297
MEX0665	11-14 880 0009	252
MEX0666	11-14 880 0010	252
MEX0727	40-14 821 0000	279
MEX0729	11-14 810 0001	288
MEX0730	11-14 810 0002	288
MEX0732	714 821 0001	281
MEX0735	11-14 821 0005	282
MEX0736	11-14 821 0006	283
MEX0737	11-14 821 0007	283
MEX0738	11-14 821 0008	284
MEX0739	11-14 821 0009	284
MEX0740	11-14 821 0010	278
MEX0741	11-14 821 0011	284
MEX0751	214 821 0006	286
MEX0752	214 821 0007	286
MEX0754	214 821 0009	287
MEX0766	32-14 821 0000	287
MEX0782	214 810 0000	289
MEX0792	11-14 811 0001	274
MEX0793	11-14 812 0002	292
MEX0794	11-14 812 0005	291
MEX0795	11-14 812 0006	292
MEX0796	11-14 812 0007	292
MEX0797	11-14 812 0008	293
MEX0798	11-14 812 0010	293
MEX0799	11-14 812 0011	294
MEX0800	11-14 812 0012	273
MEX0801	11-14 813 0000	295

Short no.	MEYLE no.	Page
<b>Citroën</b>		
MEX0802	11-14 821 0003	282
MEX0803	11-14 821 0004	282
MEX0804	11-14 821 0012	285
MEX0806	11-14 821 0014	285
MEX0807	11-14 821 0015	286
MEX0808	11-14 821 0017	296
MEX0835	214 811 0001	275
MEX0853	30-14 812 0004	294
MEX0906	37-14 813 0001	295
MEX0924	714 812 0001	294
MEX0933	714 821 0006	280
MEX0959	11-14 890 0003	296
MEX0977	11-14 812 0003	290
MEX0978	11-14 812 0009	290
MEX0983	11-14 812 0004	290
MEX0997	714 812 0004	295
MEX1005	30-14 890 0002	298
MEX1047	11-14 811 0000	273
MEX1048	11-14 811 0002	274
MEX1049	11-14 811 0003	274
MEX1107	16-14 840 0003	300
MEX1133	11-14 803 0001	276
MEX1135	11-14 803 0003	276
MEX1136	11-14 803 0005	276
MEX1137	11-14 803 0007	277
MEX1147	11-14 821 0000	281
MEX1172	11-14 803 0010	277
MEX1211	314 811 0001	275
MFF0029	100 127 0005	395
MFF0056	100 323 0007	392
MFF0069	11-14 323 0001	394
MFF0070	11-14 323 0002	393
MFF0071	11-16 323 0000	395
MFF0090	16-14 323 0000	391
MFF0103	214 323 0000	396
MFF0104	214 323 0001	393
MFF0105	214 323 0002	394
MFF0106	214 323 0004	392
MFF0146	314 133 2108	390
MFF0207	614 323 0000	394
MFF0208	614 323 0002	390
MFF0210	614 323 0004	397
MFF0214	614 818 0002	390
MFF0219	714 323 0004	395
MFF0223	714 323 0012	396
MFF0263	11-14 323 0003	397

Short no.	MEYLE no.	Page
<b>Citroën</b>		
MFF0287	11-14 323 0005	391
MFF0288	11-14 323 0006	392
MFK0033	11-14 753 0003	566
MFK0034	11-14 753 0004	566
MFK0035	11-14 753 0007	567
MFK0036	11-14 753 0006	567
MFK0040	32-14 710 0010	566
MFU0052	11-14 919 0009	398
MFU0057	40-14 919 0005	397
MFU0087	11-14 919 0011	398
MGP0007	014 020 1039	262
MGP0024	11-14 860 0000	260
MGP0025	11-14 860 0001	261
MGP0038	214 860 0003	257
MGP0067	40-14 860 0000	263
MGP0068	40-14 860 0001	264
MGP0069	40-14 860 0002	262
MGP0084	614 860 0010	264
MGP0087	714 020 0001	262
MGP0089	714 020 0003	260
MGP0090	714 020 0004	259
MGP0092	714 860 0001	263
MGP0093	714 860 0002	259
MGP0096	214 860 0006	257
MGP0098	514 860 0001	261
MGP0102	40-14 860 0003	264
MGP0115	40-14 860 0006	258
MGP0116	53-14 860 0002	258
MGP0121	714 860 0005	265
MGP0131	32-14 860 0007	257
MGP0142	11-14 860 0002	265
MHF0049	11-14 136 0001	233
MHK0048	714 137 0002	232
MHP0121	11-14 631 0000	429
MHP0194	214 631 0002	430
MHP0224	11-14 631 0001	432
MHP0253	40-14 631 0000	428
MHP0254	40-14 631 0001	427
MHP0255	40-14 631 0002	429
MHP0256	40-14 631 0003	433
MHP0257	40-14 631 0004	431
MHP0266	11-14 631 0003	433
MHP0267	11-14 631 0004	430
MHP0280	11-14 631 0005	432
MHP0281	11-14 631 0006	429
MHP0309	11-14 631 0007	427

Short no.	MEYLE no.	Page
<b>Citroën</b>		
MHP0311	11-14 631 0009	431
MHP0312	11-14 631 0010	428
MHP0313	11-14 631 0011	427
MHP0314	11-14 631 0013	428
MHP0315	11-14 631 0014	430
MHP0342	11-14 631 0016	432
MHP0360	11-14 631 0018	431
MHS0076	40-40 910 0010	2
MHS0077	40-40 910 0011	2
MIC0028	11-14 885 0001	268
MIC0029	11-14 885 0002	270
MIC0030	11-14 885 0003	270
MIC0031	11-14 885 0004	271
MIC0033	11-14 885 0007	269
MIC0054	30-14 885 0004	268
MIC0055	30-14 885 0005	272
MIC0072	40-14 885 0000	271
MIC0073	40-14 885 0001	266
MIC0074	40-14 885 0002	269
MIC0077	40-14 885 0005	267
MIC0078	40-14 885 0008	270
MIC0108	11-14 885 0006	267
MIC0120	314 885 0005	268
MIC0152	40-14 885 0006	266
MIC0173	214 885 0010	266
MIC0198	40-14 885 0011	272
MIC0206	40-14 885 0012	272
MIX0276	40-14 412 0001	2
MIX0277	40-14 412 0002	3
MMB0008	11-14 641 0004	623
MMB0010	11-14 641 0018	624
MMB0014	214 770 0001	623
MMB0033	11-14 412 0001	624
MMX0503	11-14 184 0016	413
MMX0504	11-14 238 0000	345
MMX0516	11-51 049 0012	306
MMX0517	11-51 049 0013	306
MMX0519	11-51 049 0015	307
MMX0521	11-51 049 0017	307
MMX1199	614 036 0012	398
MMX1516	314 238 0005	345
MMX1540	11-14 036 0001	406
MMX1547	11-14 036 0000	406
MMX1563	11-14 036 0003	402
MMX1579	11-14 036 0002	404
MMX1603	11-51 902 1014	305

Short no.	MEYLE no.	Page
<b>Citroën</b>		
MMX1612	11-51 902 2005	308
MMX1702	11-14 139 0001	406
MMX1755	11-14 053 1001	302
MMX1759	514 053 1003	302
MMX1760	514 053 1004	301
MMX1788HD	11-14 036 0005/HD	400
MMX1789	11-14 036 0006	404
MMX1790HD	11-14 036 0007/HD	403
MMX1791	11-14 036 0008	399
MMX1793	11-14 036 0010	403
MMX1794	11-14 036 0011	400
MMX1797	11-14 036 0012	399
MMX1798	11-14 036 0013	400
MMX1799	11-14 036 0015	405
MMX1800	214 036 0002	401
MMX1805	11-14 036 0016	401
MMX1817	11-14 036 0014	405
MMX1828	11-14 036 0004	401
MMX1844	11-14 036 0009	399
MMX1866	714 020 0006	306
MMX1918	214 009 0004	305
MMX1922	11-14 036 0017	403
MMX1931	11-14 036 0018	404
MMX1936	11-14 036 0019	402
MOF0060	11-14 322 0001	410
MOF0061	11-14 322 0002	411
MOF0084	214 322 0001	411
MOF0085	214 322 0002	407
MOF0088	214 597 0000	408
MOF0097	30-14 322 0000	411
MOF0170	40-14 322 0001	408
MOF0178	614 322 0000	407
MOF0192	614 322 0016	409
MOF0201	714 322 0007	409
MOF0205	714 322 0011	410
MOF0221	40-14 322 0002	412
MOF0241	214 322 0011	412
MOF0245	53-14 322 0000	412
MOF0247	714 322 0020	413
MOK0069	11-14 135 0001	233
MOK0082	714 135 0102	234
MOK0153	714 135 0102/XK	234
MPB0024	214 533 0017	166
MPS0046	214 899 0001	255
MPS0049	40-14 800 0004	254
MPS0050	40-14 800 0005	287

Short no.	MEYLE no.	Page
<b>Citroën</b>		
MPS0052	40-14 800 0010	255
MPS0061	40-14 800 0009	254
MPS0070	11-14 810 0000	289
MPS0076	314 810 0009	256
MPS0096	11-14 810 0003	253
MPS0098	214 810 0001	253
MPS0101	214 810 0004	254
MPS0105	11-14 810 0004	256
MRB0035	050 003 0865	336
MRB0061	050 004 0698	337
MRB0070	050 004 0755	337
MRB0079	050 004 0800	333
MRB0081	050 004 0810	337
MRB0082	050 004 0815	335
MRB0090	050 004 0855	338
MRB0091	050 004 0860	338
MRB0099	050 004 0900	338
MRB0105	050 004 0922/E	339
MRB0111	050 004 0945	339
MRB0113	050 004 0954	339
MRB0127	050 004 1025	340
MRB0152	050 004 1265	340
MRB0179	050 005 0725	333
MRB0181	050 005 0760	340
MRB0185	050 005 0812	317
MRB0190	050 005 0850	341
MRB0192	050 005 0860	319
MRB0196	050 005 0880	341
MRB0197	050 005 0884	336
MRB0209	050 005 0962	314
MRB0211	050 005 0975	310
MRB0219	050 005 1015	341
MRB0221	050 005 1030	342
MRB0225	050 005 1050	342
MRB0231	050 005 1100	342
MRB0236	050 005 1125	334
MRB0239	050 005 1140	319
MRB0242	050 005 1155	343
MRB0243	050 005 1165	335
MRB0247	050 005 1195	310
MRB0248	050 005 1200	311
MRB0250	050 005 1220	334
MRB0252	050 005 1230	308
MRB0255	050 005 1255	336
MRB0257	050 005 1270	334
MRB0302	050 006 0698	335

Short no.	MEYLE no.	Page
<b>Citroën</b>		
MRB0303	050 006 0725	312
MRB0305	050 006 0745	311
MRB0310	050 006 0800	313
MRB0317	050 006 0850	316
MRB0320	050 006 0869	325
MRB0321	050 006 0873/E	327
MRB0322	050 006 0875	311
MRB0325	050 006 0890	308
MRB0329	050 006 0915	313
MRB0330	050 006 0925	333
MRB0332	050 006 0950	309
MRB0334	050 006 0965	316
MRB0336	050 006 0976	330
MRB0338	050 006 0995	309
MRB0339	050 006 1000	326
MRB0341	050 006 1015	313
MRB0347	050 006 1045	329
MRB0348	050 006 1050	325
MRB0350	050 006 1060	310
MRB0352	050 006 1070	325
MRB0354	050 006 1080	321
MRB0357	050 006 1090/E	330
MRB0358	050 006 1095	320
MRB0359	050 006 1100	324
MRB0361	050 006 1110	323
MRB0364	050 006 1125	322
MRB0365	050 006 1130	321
MRB0367	050 006 1145	322
MRB0368	050 006 1150	315
MRB0370	050 006 1163	324
MRB0373	050 006 1185	317
MRB0374	050 006 1190	343
MRB0377	050 006 1200	329
MRB0379	050 006 1205	332
MRB0380	050 006 1210	316
MRB0383	050 006 1225	315
MRB0401	050 006 1345	321
MRB0402	050 006 1350	318
MRB0404	050 006 1360	318
MRB0406	050 006 1370	309
MRB0409	050 006 1390	312
MRB0415	050 006 1438	332
MRB0416	050 006 1450	331
MRB0418	050 006 1468	329
MRB0427	050 006 1560	324
MRB0428	050 006 1565	317



Short no.	MEYLE no.	Page
<b>Citroën</b>		
MRB0432	050 006 1590	327
MRB0434	050 006 1605	319
MRB0437	050 006 1623	320
MRB0442	050 006 1660	320
MRB0445	050 006 1670	318
MRB0447	050 006 1680	315
MRB0451	050 006 1698	332
MRB0452	050 006 1705	330
MRB0453	050 006 1710	327
MRB0454	050 006 1715	328
MRB0456	050 006 1725	323
MRB0457	050 006 1735	343
MRB0458	050 006 1740	322
MRB0459	050 006 1743	328
MRB0460	050 006 1750	331
MRB0481	050 006 1863	314
MRB0486	050 006 1885	326
MRH0359	11-19 222 0006	348
MRH0362	11-19 222 0002	349
MRH0363	11-19 222 0003	348
MRH0364	11-19 222 0004	349
MRH0382	11-19 222 0005	349
MRH0386	219 222 0007	348
MRH0403	11-19 222 0008	347
MRH0417	11-19 222 0000	347
MRM0135	11-14 236 0000	347
MRM0138	214 236 0004	346
MRM0145	11-14 236 0001	346
MRM0146	11-14 236 0002	346
MRS0094	11-14 742 0000	584
MRS0095	11-14 742 0001	586
MRS0096	11-14 742 0002	585
MRS0155	40-14 742 0001	585
MRS0156	40-14 742 0002	584
MRS0157	40-14 742 0003	586
MRS0217	214 742 0012	586
MRS0218	11-14 742 0004	585
MSA0053	11-26 623 0000	592
MSA0054	11-26 623 0002	593
MSA0055	11-26 623 0003	593
MSA0058	11-26 623 0008	590
MSA0059	11-26 623 0009	591
MSA0062	11-26 624 0001	589
MSA0063	11-26 715 0000	602
MSA0064	11-26 715 0006	598
MSA0068	11-26 725 0007	599

Short no.	MEYLE no.	Page
<b>Citroën</b>		
MSA0071	11-26 725 0011	598
MSA0072	11-26 725 0012	600
MSA0278	32-26 623 0003	596
MSA0279	32-26 623 0004	596
MSA0284	32-26 725 0003	600
MSA0409	40-26 623 0000	589
MSA0410	40-26 623 0001	588
MSA0411	40-26 623 0002	587
MSA0412	40-26 623 0003	588
MSA0416	40-26 623 0010	591
MSA0417	40-26 623 0011	592
MSA0418	40-26 623 0012	590
MSA0419	40-26 623 0013	607
MSA0420	40-26 623 0014	611
MSA0421	40-26 623 0015	606
MSA0422	40-26 623 0016	607
MSA0423	40-26 725 0000	600
MSA0424	40-26 725 0001	601
MSA0425	40-26 725 0002	604
MSA0426	40-26 725 0003	599
MSA0429	40-26 725 0006	602
MSA0430	40-26 725 0007	601
MSA0431	40-26 725 0008	598
MSA0589	40-26 725 0011	603
MSA0593	11-26 623 0012	595
MSA0594	11-26 623 0013	595
MSA0608	40-26 623 0019	594
MSA0609	40-26 623 0020	594
MSA0641	40-26 725 0009	605
MSA0652	40-26 623 0017	597
MSA0653	40-26 623 0018	597
MSA0696	40-26 725 0010	602
MSA0698	226 725 0013	603
MSA0701	226 725 0012	604
MSA0707	226 623 0017	610
MSA0708	226 623 0018	610
MSA0709	11-26 725 0002	615
MSA0717	40-26 725 0012	605
MSA0720	40-26 623 0022	608
MSA0721	40-26 623 0023	608
MSA0727	40-26 623 0024	609
MSA0728	40-26 623 0025	609
MSA0779	11-26 725 0020	615
MSA0781	40-26 725 0014	606
MSA0790	40-26 725 0015	613
MSA0802	40-26 623 0026	611

Short no.	MEYLE no.	Page
<b>Citroën</b>		
MSA0803	40-26 623 0027	612
MSA0806	40-26 623 0028	587
MSA0807	11-26 623 0018	614
MSA0808	11-26 623 0019	614
MSA0892	11-26 613 0013	612
MSA0912	40-26 623 0029	613
MSA0928	11-26 725 0016	615
MSA0939	40-26 725 0017	613
MSB0112	11-14 615 0000	536
MSB0114	11-14 615 0002	539
MSB0115	11-14 615 0003	535
MSB0117	11-14 615 0005	535
MSB0119	11-14 615 0007	539
MSB0122	11-14 615 0010	535
MSB0124	11-14 615 0013	533
MSB0125	11-14 615 0016	541
MSB0264	11-14 615 0015	541
MSB0265	11-14 615 0017	536
MSB0266	11-14 615 0018	542
MSB0321	11-14 615 0022	536
MSB0336	11-14 615 0029	540
MSB0375	11-14 615 0014	540
MSB0377	11-14 615 0038	537
MSB0378	40-14 615 0002	538
MSB0379	40-14 615 0003	537
MSB0386	11-14 615 0031	539
MSB0387	11-14 615 0032	538
MSB0392	11-14 615 0045	541
MSB0393	11-14 615 0046	543
MSB0394	11-14 615 0047	542
MSB0395	11-14 715 0000	543
MSB0454	40-14 615 0004	537
MSB0496	11-14 615 0040	540
MSB0523	11-14 615 0034	538
MSB0524	11-14 615 0035	543
MSB0529	11-14 615 0037	542
MSB0534	11-14 615 0036	534
MSB0545	40-14 615 0001	534
MSB0546	11-14 615 0033	534
MSC0033	11-14 640 0000	574
MSC0034	11-14 640 0001	575
MSC0082	40-14 640 0000	578
MSC0084	40-14 640 0002	579
MSC0115	40-14 640 0004	579
MSC0119	214 640 0010	576
MSC0125	30-14 640 0004	577

Short no.	MEYLE no.	Page
<b>Citroën</b>		
MSC0140	32-14 640 0002	578
MSC0141	11-14 740 0001	576
MSC0153	40-14 640 0006	579
MSC0163	11-14 640 0004	575
MSC0174	30-14 740 0001	577
MSC0194	11-14 740 0002	576
MSC0196	214 640 0015	577
MSC0206	32-14 740 0002	578
MSC0259	11-14 640 0008	575
MSC0262	40-14 640 0007	580
MSK0022	40-14 620 0000	435
MSK0037	11-14 620 0000	434
MSK0039	11-14 620 0003	434
MSK0040	11-14 620 0005	436
MSK0041	11-14 620 0006	434
MSK0042	11-14 620 0007	435
MSK0043	11-14 620 0008	435
MSK0084	11-14 620 0019	436
MSK0101	11-14 620 0024	438
MSK0102	11-14 620 0025	433
MSK0103	11-14 620 0026	438
MSK0108	216 050 0025	437
MSK0121	40-14 620 0002	437
MSK0122	40-14 620 0003	437
MSK0123	40-14 620 0004	436
MSL0082HD	11-16 060 0000/HD	551
MSL0083HD	11-16 060 0001/HD	553
MSL0084HD	11-16 060 0002/HD	554
MSL0091HD	11-16 060 0013/HD	549
MSL0092	11-16 060 0014	550
MSL0093	11-16 060 0015	549
MSL0094HD	11-16 060 0016/HD	558
MSL0095HD	11-16 060 0017/HD	546
MSL0096HD	11-16 060 0018/HD	545
MSL0097	11-16 060 0019	557
MSL0098HD	11-16 060 0020/HD	550
MSL0099HD	11-16 060 0021/HD	552
MSL0100	11-16 060 0022/S	547
MSL0102HD	11-16 060 5041/HD	560
MSL0103HD	11-16 060 5046/HD	548
MSL0104	11-16 060 5707	560
MSL0176HD	216 060 0000/HD	555
MSL0225	29-16 060 0003	559
MSL0226	29-16 060 0004	559
MSL0447HD	37-16 060 0022/HD	557
MSL0700HD	11-16 060 0024/HD	560

Short no.	MEYLE no.	Page
<b>Citroën</b>		
MSL0736	11-16 060 0025	555
MSL0737	11-16 060 0026	553
MSL0738	11-16 060 0028	552
MSL0740	11-16 060 0030	554
MSL0742	11-16 060 0032	549
MSL0743	11-16 060 0033	558
MSL0744	11-16 060 0034	546
MSL0745	11-16 060 0035	547
MSL0746	11-16 060 0036	551
MSL0747	11-16 060 0037	547
MSL0750	11-16 060 0040	548
MSL0773	216 060 0033	556
MSL0865	37-16 060 0056	558
MSL1020HD	11-16 060 0041/HD	561
MSL1129HD	11-16 060 0047/HD	556
MSL1130HD	11-16 060 0048/HD	556
MSM0075	11-14 641 0003	620
MSM0076	11-14 641 0003/S	620
MSM0077	11-14 641 0005	619
MSM0084	11-14 641 0013	621
MSM0085	11-14 641 0014	621
MSM0086	11-14 641 0017	621
MSM0088	11-14 741 0001	622
MSM0144	40-14 641 0000	620
MSM0198	11-14 641 0015	616
MSM0199	11-14 641 0016	616
MSM0216	11-14 641 0019	618
MSM0217	11-14 641 0022	622
MSM0220	11-14 741 0002	622
MSM0251	11-14 641 1001	619
MSM0258	11-14 641 1002	619
MSM0294	40-14 641 0007	616
MSM0295	40-14 641 0008	617
MSM0307	214 641 0020	617
MSM0308	214 641 0021	617
MSM0311	214 641 0028	618
MSM0321	11-14 641 0032	623
MSR0139	32-16 035 0001	528
MSR0141	11-16 035 0002	527
MSR0149HD	11-16 035 0000/HD	527
MSR0150HD	11-16 035 0001/HD	528
MSR0152	32-16 035 0002	526
MTE0076	11-16 020 0005	456
MTE0077	11-16 020 0006	456
MTE0078	11-16 020 0008	457
MTE0079	11-16 020 0009	455

Short no.	MEYLE no.	Page
<b>Citroën</b>		
MTE0080	11-16 020 0010	454
MTE0081	11-16 020 0011	458
MTE0082	11-16 020 0012	458
MTE0083	11-16 020 0013	460
MTE0084	11-16 020 0014	460
MTE0085HD	11-16 020 0015/HD	453
MTE0086HD	11-16 020 0016/HD	460
MTE0087	11-16 020 0017	459
MTE0088	11-16 020 0018	459
MTE0089	11-16 020 0019	455
MTE0092	11-16 020 0022	463
MTE0093	11-16 020 0023	462
MTE0094	11-16 020 0024	463
MTE0095	11-16 020 0025	463
MTE0098	11-16 020 0028	461
MTE0099	11-16 020 0029	461
MTE0102	11-16 020 0032	464
MTE0103	11-16 020 4078	466
MTE0104	11-16 020 5042	465
MTE0105HD	11-16 020 5703/HD	457
MTE0108	11-16 020 7529	464
MTE0237	216 020 0015	461
MTE0238	216 020 0016	462
MTE0248	216 020 0062	465
MTE0255	216 060 0007	464
MTE0366	32-16 020 0000	451
MTE0437	40-16 020 0002	457
MTE0438HD	40-16 020 5723/HD	466
MTE0439HD	40-16 020 5724/HD	465
MTE0540	11-16 020 0033	452
MTE0541	11-16 020 0034	451
MTE0750HD	40-16 020 0003/HD	459
MTE0751HD	40-16 020 0004/HD	458
MTE0761HD	16-16 020 0041/HD	452
MTE0762HD	16-16 020 0042/HD	452
MTE0769HD	40-16 020 0000/HD	453
MTE0770HD	40-16 020 0001/HD	453
MTE0867	40-16 020 0005	454
MTE0868	40-16 020 0006	454
MTE0890	616 020 0031	455
MTE0913HD	11-16 020 0041/HD	466
MTE0914HD	11-16 020 0042/HD	467
MTH0038	028 289 0000	353
MTH0048	11-28 228 0000	354
MTH0119	11-28 228 0002	350
MTH0120	11-28 228 0001	350



Short no.	MEYLE no.	Page
<b>Citroën</b>		
MTH0127	11-28 228 0004	351
MTH0131	728 228 0002	354
MTH0133	30-28 228 0009	355
MTH0143	11-28 228 0006	350
MTH0144	11-28 228 0007	351
MTH0150	728 228 0003	355
MTH0156	11-28 228 0008	353
MTH0171	11-28 228 0003	352
MTH0174	11-28 228 0009	352
MTH0183	11-28 228 0005	355
MTH0188	11-28 228 0010	352
MTH0190	11-28 228 0011	356
MTH0192	53-28 228 0000	353
MTR0069	714 009 0000	304
MTR0073	714 009 0003	304
MTR0075	11-14 009 0009	303
MTR0085	11-14 009 0012	304
MTR0087	16-14 009 0012	303
MTS0029	11-40 910 0008	4
MTS0036	11-40 910 0017	5
MTS0201	240 910 0028	11
MTS0240	32-40 910 0017	9
MTS0313	40-40 910 0000	4
MTS0315	40-40 910 0002	3
MTS0317	40-40 910 0004	4
MTS0318	40-40 910 0005	7
MTS0319	40-40 910 0006	3
MTS0320	40-40 910 0007	5
MTS0324	40-40 910 0014	5
MTS0325	40-40 910 0015	7
MTS0326	40-40 910 0016	8
MTS0327	40-40 910 0017	8
MTS0328	40-40 910 0018	6
MTS0329	40-40 910 0019	7
MTS0330	40-40 910 0020	6
MTS0331	40-40 910 0021	8
MTS0332	40-40 910 0022	6
MTS0432	40-40 910 0023	9
MTS0433	40-40 910 0025	10
MTS0444	40-40 910 0024	9
MTS0460	40-40 910 0026	10
MTS0461	40-40 910 0027	11
MTS0462	40-40 910 0028	12
MTS0481	40-40 910 0030	10
MTS0502	40-40 910 0029	11
MTX0019	014 098 9017	188

Short no.	MEYLE no.	Page
<b>Citroën</b>		
MTX0074	40-14 495 0000	193
MWC0014	11-14 531 0001	186
MWC0036	11-14 531 0005	181
MWC0037	11-14 531 0006	181
MWC0038	11-14 531 0008	180
MWC0041	11-14 531 0022	183
MWC0042	11-14 531 0023	183
MWC0048	16-14 531 0009	181
MWC0049	16-14 531 0010	182
MWC0059	11-14 531 0021	185
MWC0063	11-14 531 0007	180
MWC0064	11-14 531 0024	184
MWC0068	11-14 531 0009	182
MWC0069	11-14 531 0010	182
MWC0074	11-14 531 0015	187
MWC0075	11-14 531 0025	186
MWC0077	16-14 531 0012	187
MWC0083	11-14 531 0026	183
MWC0086	11-14 531 0027	185
MWC0087	214 531 0010	187
MWC0088	214 531 0012	180
MWC0089	11-14 531 0013	186
MWC0090	11-14 531 0016	184
MWC0097	11-14 531 0020	185
MWC0099	214 531 0009	184
MWH0045	11-14 033 0772	642
MWH0047	11-14 652 0001	638
MWH0049	11-14 750 0009	643
MWH0050	11-14 750 0014	640
MWH0051	11-14 750 0015	644
MWH0052	11-14 750 0016	640
MWH0053	11-14 750 0022	645
MWH0054	11-14 750 0027	645
MWH0055	11-14 750 0030	646
MWH0056	11-14 750 0031	646
MWH0057	11-14 750 0032	646
MWH0058	11-14 752 0000	647
MWH0059	11-14 752 0001	641
MWH0060	11-14 752 0002	640
MWH0089	214 750 0002	637
MWH0136	32-14 752 0004	647
MWH0157	40-14 652 0001	648
MWH0159	40-14 752 0001	648
MWH0222	11-14 750 0013	644
MWH0223	11-14 750 0018	644
MWH0228	40-14 750 0001	648



Short no.	MEYLE no.	Page
<b>Citroën</b>		
MWH0235	11-14 652 0003	643
MWH0270	40-14 752 0002	636
MWH0276	11-14 752 0006	636
MWH0279	11-14 752 0004	642
MWH0281	40-14 752 0003	649
MWH0299	11-14 752 0008	637
MWH0325	11-14 752 0009	642
MWH0326	11-14 752 0010	641
MWH0327	11-14 752 0007	638
MWH0378	11-14 750 0034	638
MWH0379	214 750 0005	639
MWH0397	32-14 752 0006	639
MWI0004	100 955 0002	14
MWI0007	100 955 0007	15
MWI0009	100 955 0010	14
MWI0011	11-14 870 0001	13
MWI0012	11-14 870 0002	12
MWI0013	11-14 870 0003	12
MWI0036	314 870 0005	15
MWI0046	16-14 870 0003	13
MWI0051	11-14 870 0006	14
MWI0057	36-14 870 0000	15
MWK0088	11-14 033 5016	631
MWK0089	11-14 033 5017	631
MWK0090	11-14 033 5029/S	627
MWK0091	11-14 650 0001	628
MWK0092	11-14 650 0002	631
MWK0093	11-14 650 0006	632
MWK0094	11-14 650 0007	625
MWK0095	11-14 650 0008	632
MWK0096	11-14 650 0010	632
MWK0097	11-14 650 0012	633
MWK0098	11-14 650 0013	627
MWK0099	11-14 750 0001	633
MWK0100	11-14 750 0004	627
MWK0101	11-14 750 0020	629
MWK0102	11-14 750 0025	634
MWK0103	11-14 750 0028	634
MWK0104	11-14 750 0029	634
MWK0130	214 650 0006	635
MWK0131	214 650 0010	635
MWK0207	11-14 650 0014	625
MWK0211	11-14 650 0015	628
MWK0212	214 650 0013	635
MWK0236	11-14 650 0017	626
MWK0242	40-14 750 0002	630

Short no.	MEYLE no.	Page
<b>Citroën</b>		
MWK0247	32-14 650 0004	636
MWK0250	40-14 650 0000	626
MWK0251	11-14 650 0016	629
MWK0255	40-14 750 0003	630
MWK0274	32-14 650 0006	629
MWP0071	11-13 012 0102	358
MWP0074	11-13 012 0158	358
MWP0076	11-13 012 0163	356
MWP0078	11-13 012 0723	365
MWP0079	11-13 220 0001	357
MWP0080	11-13 220 0002	357
MWP0081	11-13 220 0003	359
MWP0082	11-13 220 0004	361
MWP0082HD	11-13 220 0004/HD	361
MWP0083	11-13 220 0005	356
MWP0084	11-13 220 0006	366
MWP0086	11-13 220 0008	359
MWP0089	11-13 220 0014	362
MWP0091	11-13 220 0017	367
MWP0092	11-13 220 0019	364
MWP0092HD	11-13 220 0019/HD	365
MWP0093	11-13 220 0020	363
MWP0094	11-13 220 0021	367
MWP0096	11-13 220 0023	362
MWP0097	11-13 220 0024	363
MWP0098	11-13 220 0025	364
MWP0419	40-13 220 0004	363
MWP0430	513 220 0002	358
MWP0443	613 220 0002	365
MWP0498	713 220 0008	360
MWP0498HD	713 220 0008/HD	360
MWP0554	11-13 220 0026	369
MWP0571	11-13 220 0027	368
MWP0607	30-13 220 0026	368
MWP0608	32-13 220 0017	366
MWP0636	11-13 220 0028	368



# MEYLE

You see the pretty  
curves, underneath  
is what counts.



**The MEYLE brand supplies its customers with more than 21,000 extremely reliable and durable spare parts manufactured at our own production facilities or by trusted production partners. MEYLE boasts a highly diversified product range.**

Whether steering and suspension components, rubber-to-metal parts, brakes, damping components, cooling systems, filters, drive components, electric and sensors MEYLE is synonymous with top-grade quality-tested spare parts.

#### **Notes**

This catalogue is protected by copyright. Reproduction of text, graphic elements, photographs and/or data, even in part, is prohibited. MEYLE, **MEYLE**, or parts thereof, are registered trademarks of MEYLE AG.

All supplies and services are subject to our General Terms and Conditions. The original spare part numbers shown in this catalogue are for cross-reference purposes only and shall not be disclosed to third parties on invoices and delivery notes. While the information in this catalogue was compiled and edited with utmost care we do not assume responsibility or accept claims arising from errors or inconsistencies. Subject to technical and/or design changes.

This issue of the catalogue supersedes all previous issues.  
All rights reserved. © 2017 MEYLE AG



MEYLE parts are available through:

**MEYLE AG**

Merkurring 111, 22143 Hamburg, Germany  
Tel. +49 40 67506 510, Fax +49 40 67506 506  
[contact@meyle.com](mailto:contact@meyle.com)

[www.meyle.com](http://www.meyle.com)

**MEYLE**